



US00D680164S

(12) **United States Design Patent**
Kawate et al.

(10) **Patent No.:** **US D680,164 S**
(45) **Date of Patent:** **** Apr. 16, 2013**

(54) **INK CARTRIDGE**

(75) Inventors: **Hiroyuki Kawate**, Chino (JP); **Taku Ishizawa**, Shiojiri (JP)

(73) Assignee: **Seiko Epson Corporation**, Tokyo (JP)

(**) Term: **14 Years**

(21) Appl. No.: **29/394,918**

(22) Filed: **Jun. 23, 2011**

(30) **Foreign Application Priority Data**

Jan. 28, 2011 (JP) 2011-001784

(51) **LOC (9) Cl.** **18-02**

(52) **U.S. Cl.**
USPC **D18/56**

(58) **Field of Classification Search** D18/43,
D18/56; 347/86-87, 29, 33, 36, 73
See application file for complete search history.

(56) **References Cited**

U.S. PATENT DOCUMENTS

D424,612 S	5/2000	Inoue et al.	
D536,374 S	2/2007	Shinada et al.	
D563,462 S *	3/2008	Wanibe et al.	D18/56
D563,463 S	3/2008	Ishizawa et al.	
D563,464 S	3/2008	Ishizawa et al.	

D563,465 S	3/2008	Ishizawa et al.	
D563,466 S *	3/2008	Wanibe et al.	D18/56
D563,467 S *	3/2008	Wanibe et al.	D18/56
D569,420 S	5/2008	Hwang et al.	
D580,107 S	11/2008	Ishizawa et al.	
D583,861 S	12/2008	Wanibe et al.	
D590,014 S	4/2009	Nip	
D603,895 S *	11/2009	Hattori	D18/56
7,669,993 B2	3/2010	Hashii et al.	
D624,960 S	10/2010	Inoue et al.	
7,942,510 B2	5/2011	Shinada et al.	
2007/0126827 A1	6/2007	Katsumura	
2010/0013896 A1	1/2010	Ishizawa et al.	

* cited by examiner

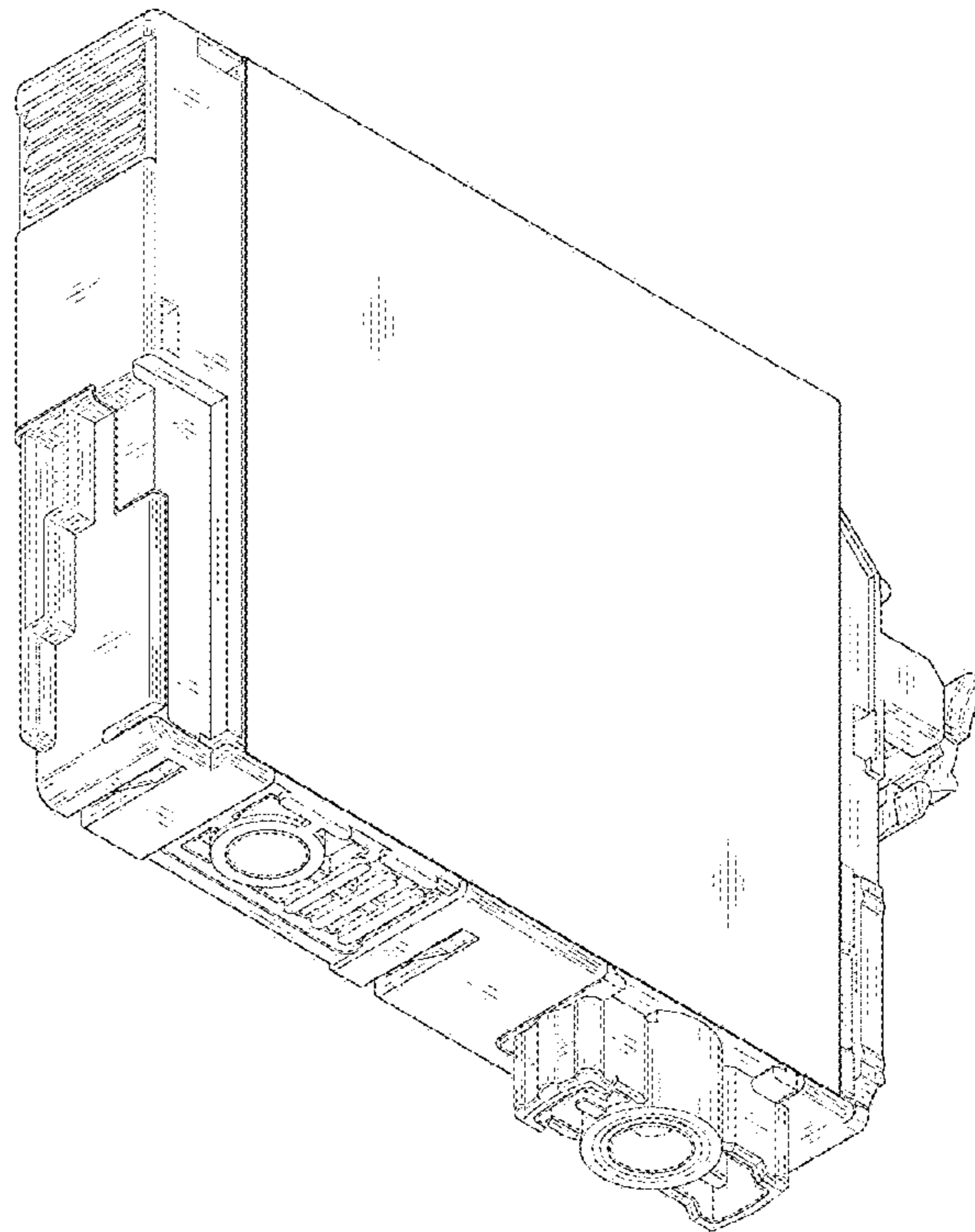
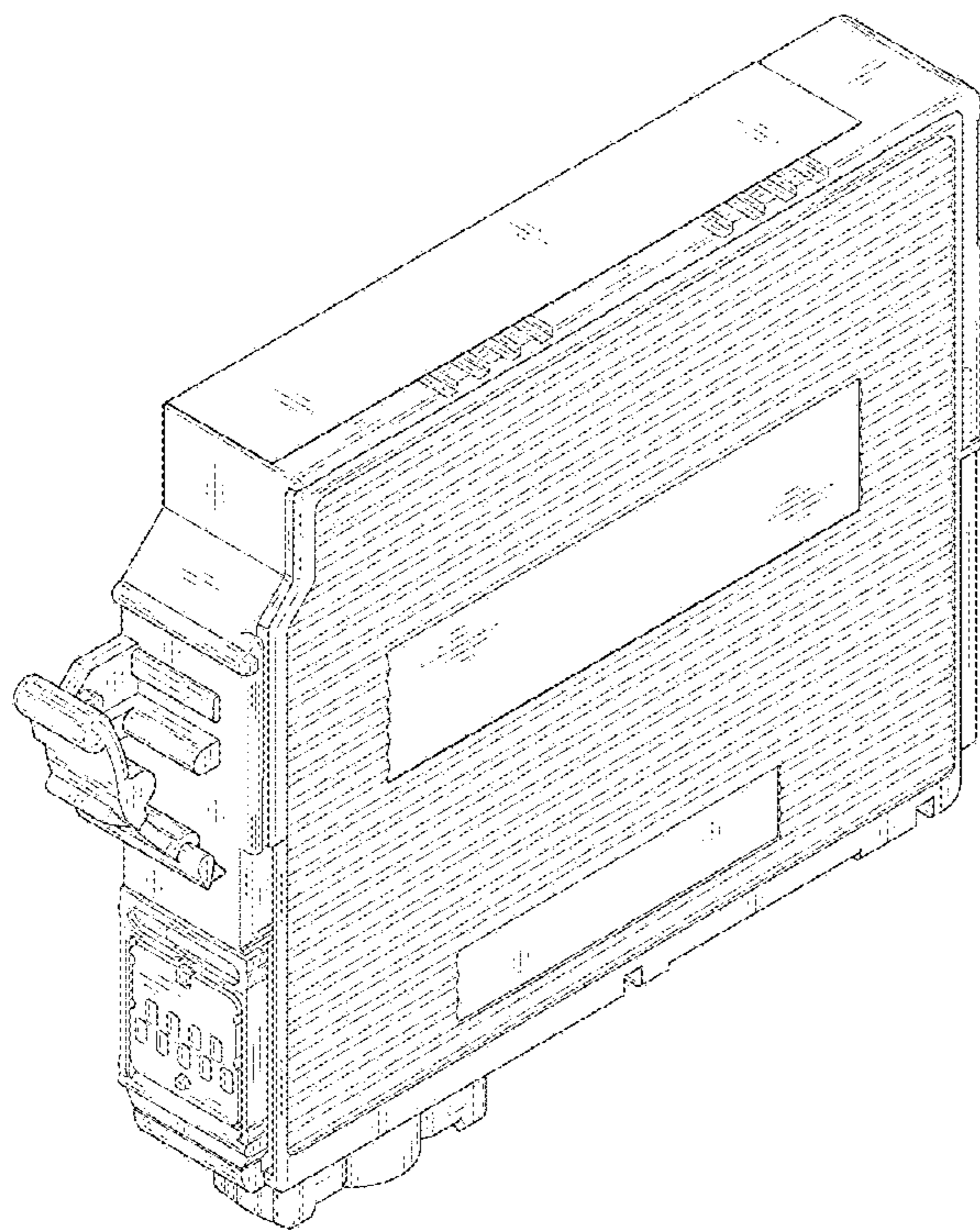
Primary Examiner — Cathy A MacCormac

(57) **CLAIM**
The ornamental design for an ink cartridge, as shown.

DESCRIPTION

FIG. 1 is a front, top and left side perspective view of an ink cartridge showing our new design;
FIG. 2 is a rear, bottom and right side perspective view thereof;
FIG. 3 is a front view thereof;
FIG. 4 is a rear view thereof;
FIG. 5 is a left side elevational view thereof;
FIG. 6 is a right side elevational view thereof;
FIG. 7 is a top plan view thereof; and,
FIG. 8 is a bottom plan view thereof.

1 Claim, 6 Drawing Sheets



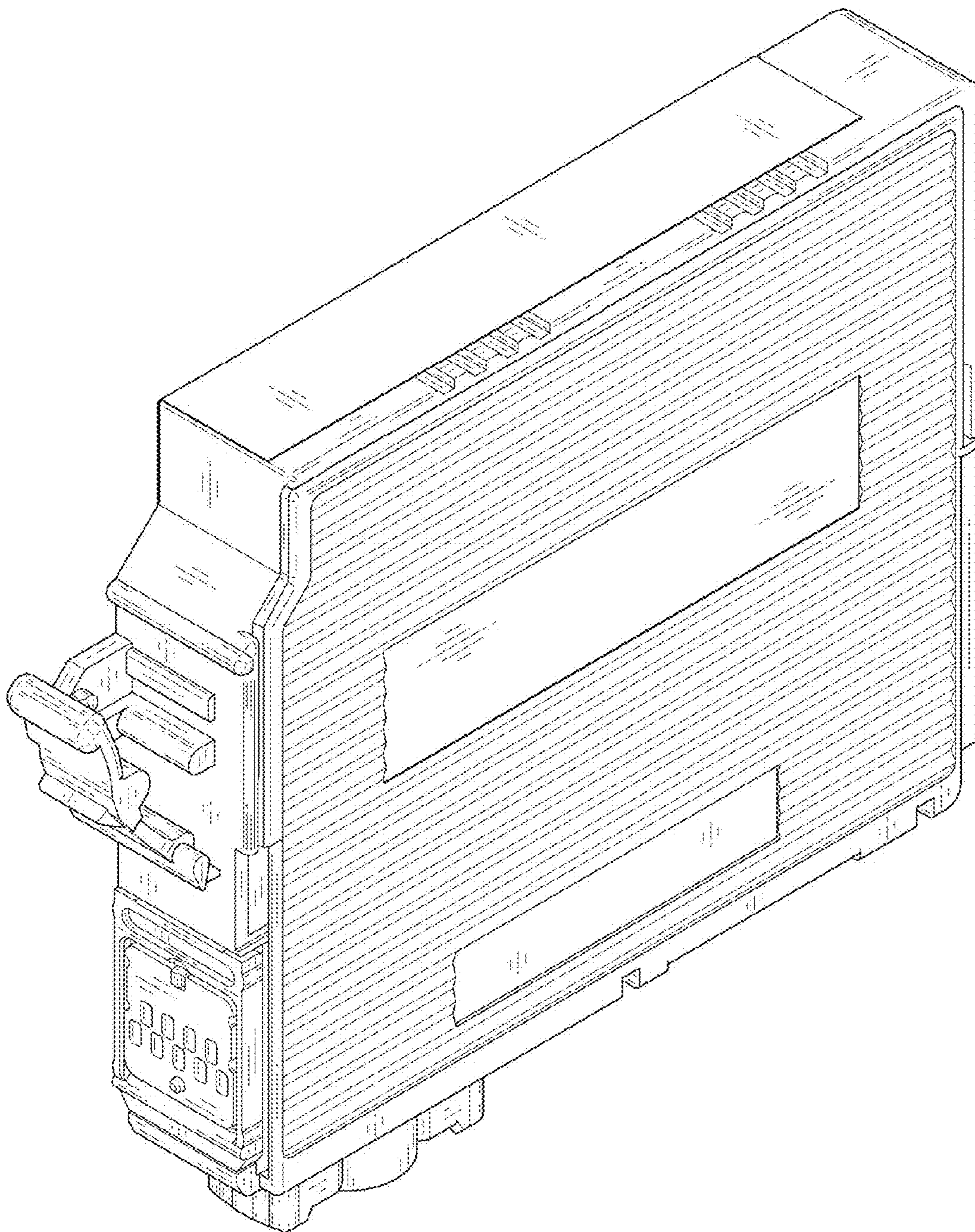


FIG. 1

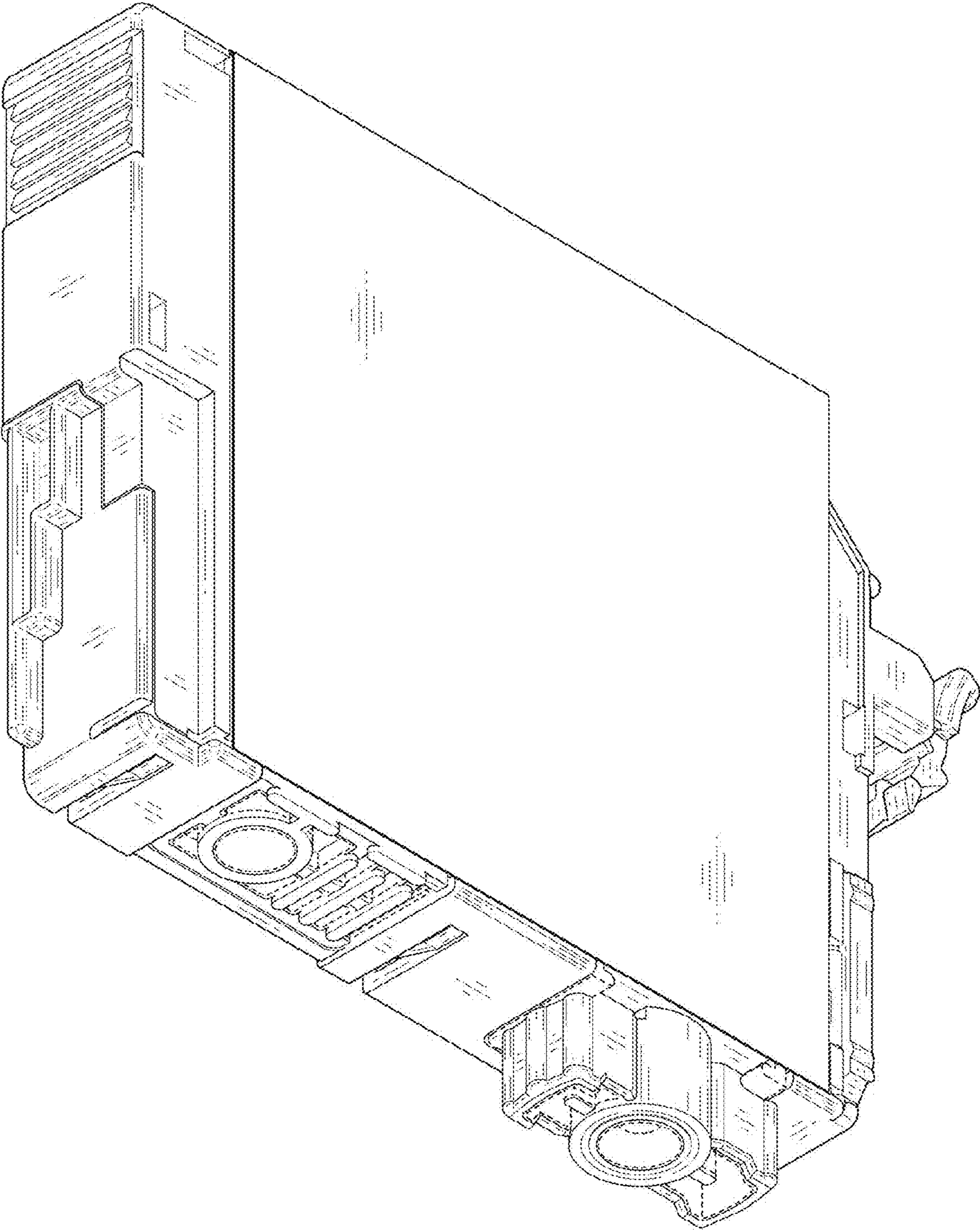


FIG. 2

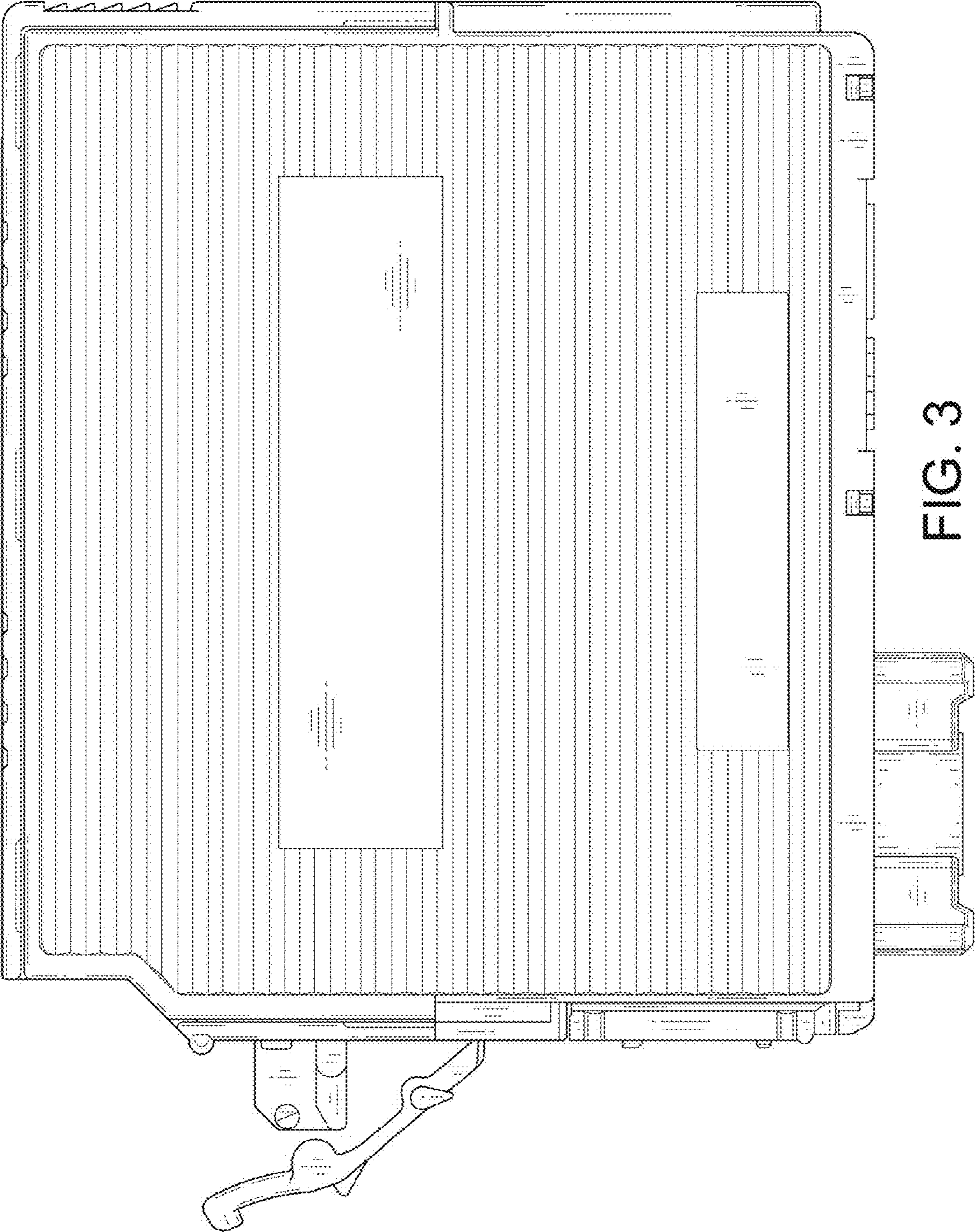


FIG. 3

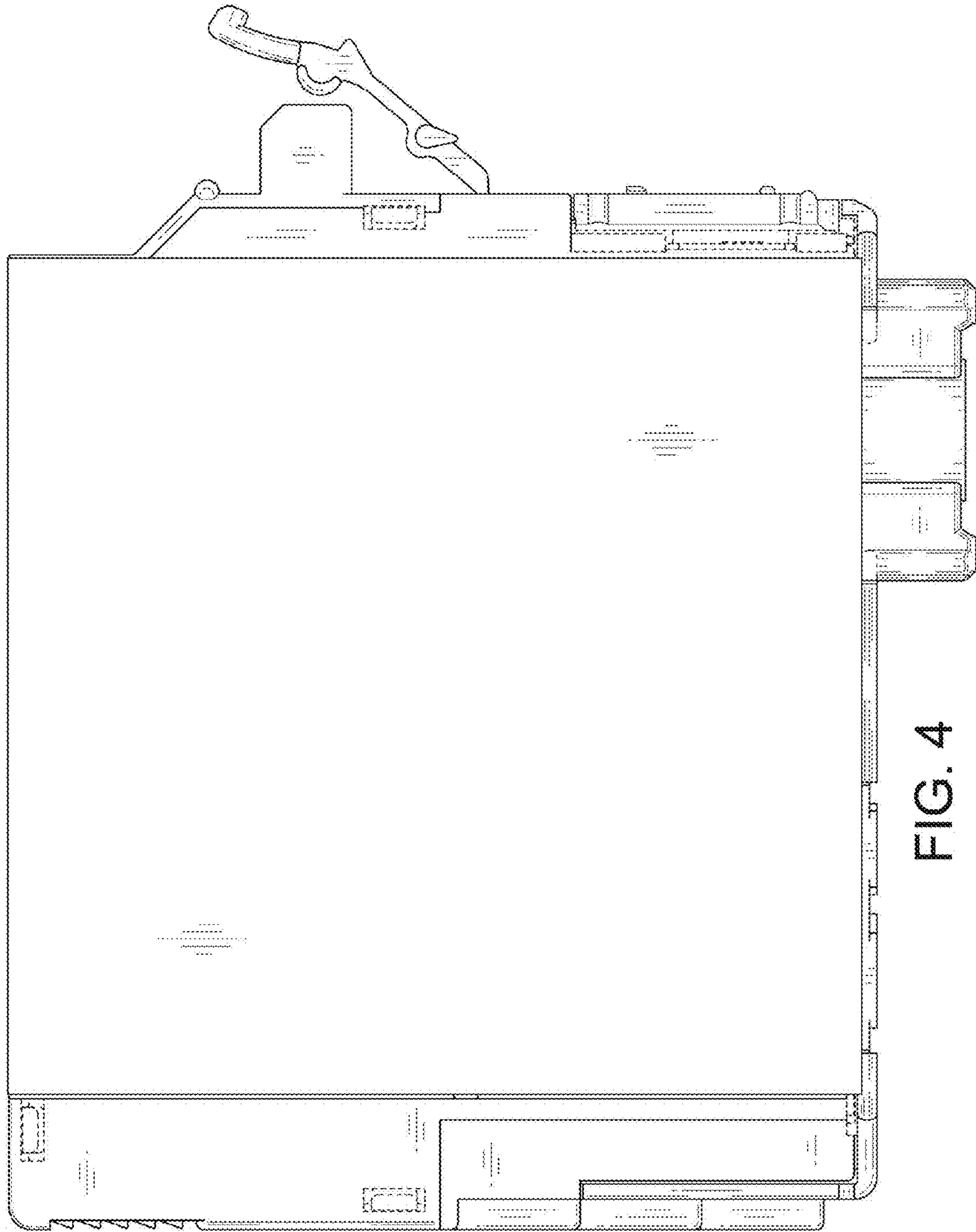


FIG. 4

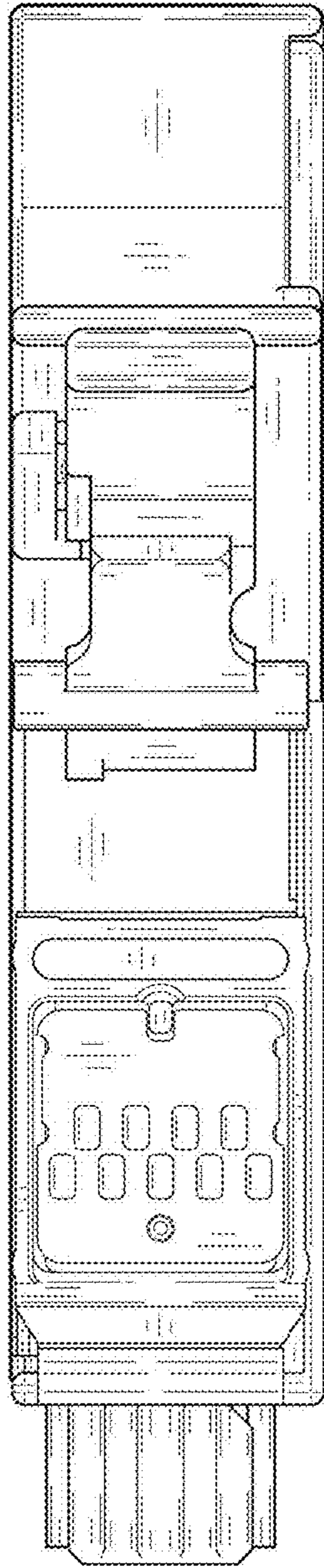


FIG. 5

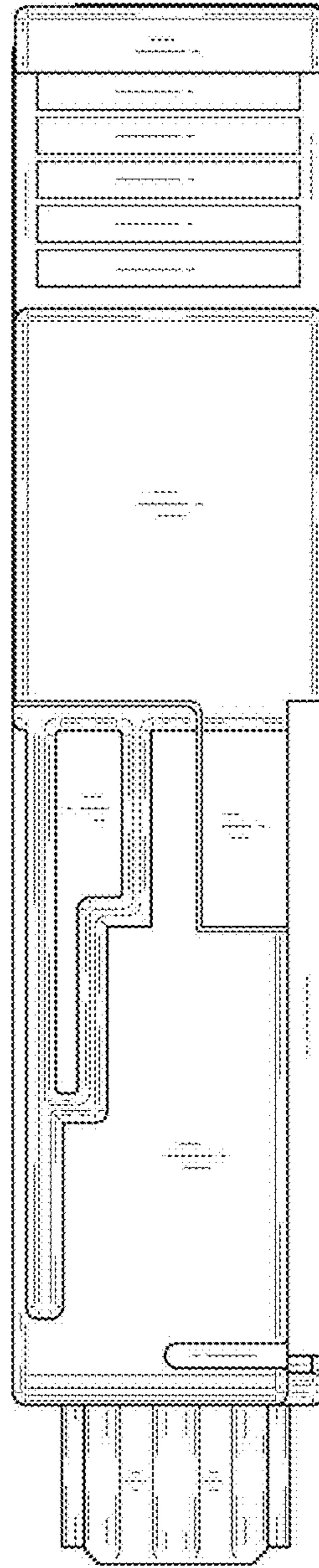


FIG. 6

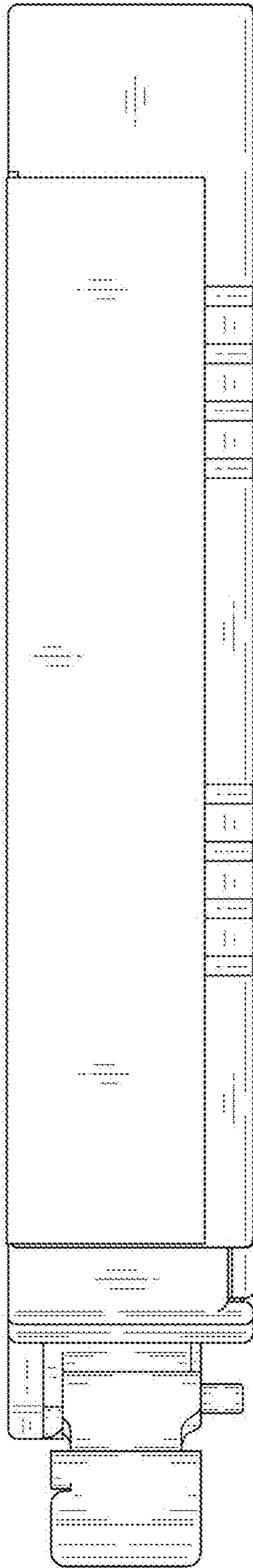


FIG. 7

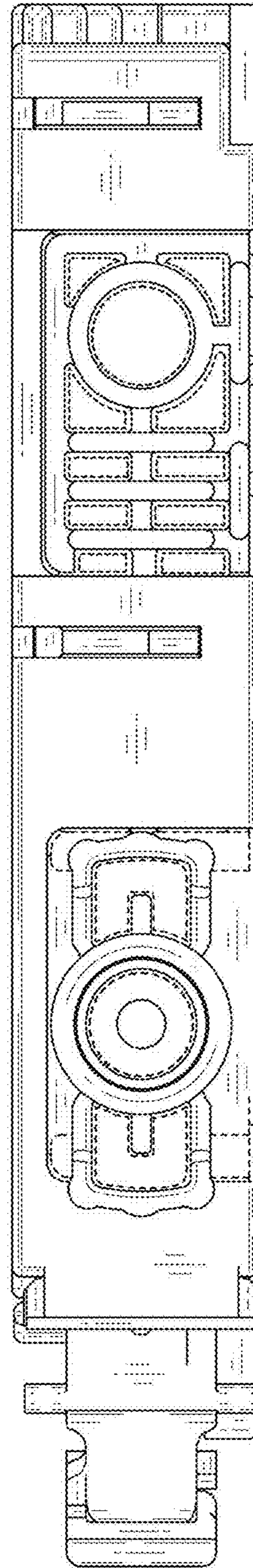


FIG. 8