



US00D680163S

(12) **United States Design Patent**  
**Lim et al.**

(10) **Patent No.:** **US D680,163 S**  
(45) **Date of Patent:** **\*\* Apr. 16, 2013**

(54) **MULTI-FUNCTION IMAGING AND PRINTING DEVICE**

(75) Inventors: **Khim Yam Lim**, Singapore (SG);  
**Daniel L Barr**, San Diego, CA (US);  
**Joshua B Tamsky**, San Diego, CA (US);  
**Jiajin Wu**, Singapore (SG); **Qian Tao**,  
Singapore (SG); **Nick Su**, Singapore  
(SG)

(73) Assignee: **Hewlett-Packard Development  
Company, L.P.**, Houston, TX (US)

(\*\*) Term: **14 Years**

(21) Appl. No.: **29/418,748**

(22) Filed: **Apr. 20, 2012**

(51) **LOC (9) Cl.** ..... **14-02**

(52) **U.S. Cl.**  
USPC ..... **D18/55; D18/36**

(58) **Field of Classification Search** ..... D18/36-38,  
D18/50, 54-54.1, 55; D14/420-425, 462-470;  
400/613, 613.1-613.4, 690.1-690.4, 691-694  
See application file for complete search history.

(56) **References Cited**

**U.S. PATENT DOCUMENTS**

D531,175 S	*	10/2006	Moskaluk et al. ....	D18/55
D534,947 S		1/2007	Gant et al.	
D537,479 S		2/2007	Alfonso et al.	
D555,194 S		11/2007	Smith et al.	
D559,899 S		1/2008	Leong et al.	
D561,251 S	*	2/2008	Tjin Wong Joe et al. ....	D18/55
D573,633 S	*	7/2008	Laidlaw et al. ....	D18/55
D594,508 S		6/2009	Joe et al.	
D595,347 S		6/2009	Tjin Wong Joe et al.	
D609,270 S		2/2010	Kato et al.	
D614,693 S		4/2010	Kato et al.	
D645,896 S		9/2011	Iwai et al.	
D666,239 S	*	8/2012	Larson et al. ....	D18/55
D667,488 S	*	9/2012	Inoue et al. ....	D18/55

**OTHER PUBLICATIONS**

Unbelievably Cheap HP 920XL Ink for HP 7500A!, Dec. 8, 2010, 2 pgs., Retrieved from <http://blog.123inkcartridges.ca/2010/12/unbelievably-cheap-hp-920xl-ink-for-hp-7500a/> on Feb. 22, 2012.

Tracy, "Epson Stylus Office BX625FWD Review", May 24, 2011, 4 pgs., Retrieved from <http://www.tracyandmatt.co.uk/blogs/index.php/epson-stylus-office-bx625fwd-review> on Feb. 22, 2012.

Henry, N., "Buying the Right Printer: How to Choose a Printer?", Jun. 9, 2010, 3 pgs., Retrieved from <http://www.brighthub.com/computing/windows-platform/articles/1723.aspx> on Feb. 22, 2012.

Epson Artisan 810 All-in-One Printer, 4 pgs., Retrieved from <http://www.bhphotovideo.com/c/product/636515-REG/Epson\_C11CA52201\_Artisan\_810\_All\_In\_One\_Printer.html> on Feb. 22, 2012.

Johan, "Kodak ESP 7 and 9 All-in-One Printers", Sep. 22, 2008, 1 pg., Retrieved from <http://www.techfresh.net/kodak-esp-7-and-9-all-in-one-printers/> on Feb. 22, 2012.

\* cited by examiner

*Primary Examiner* — Cathy A MacCormac

(57) **CLAIM**

The ornamental design for a multi-function imaging and printing device, substantially as shown and described.

**DESCRIPTION**

FIG. 1 is a right-front perspective view of the design for the multi-function imaging and printing device;

FIG. 2 is a front view thereof;

FIG. 3 is a rear view thereof;

FIG. 4 is a left side view thereof;

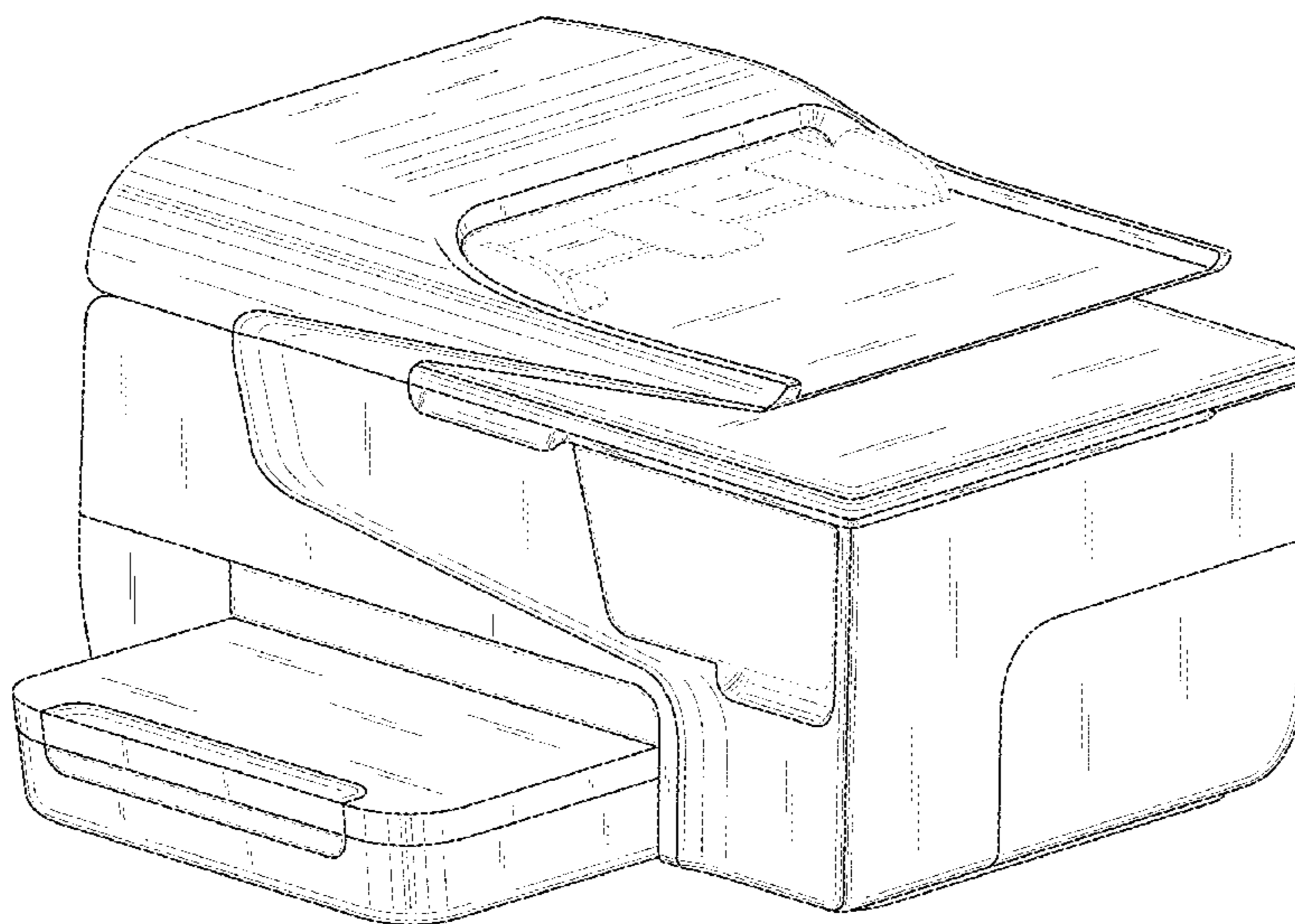
FIG. 5 is a right side view thereof;

FIG. 6 is a top view thereof; and,

FIG. 7 is a bottom view thereof.

The portions shown in broken lines are for illustrative purposes only and form no part of the claimed design.

**1 Claim, 7 Drawing Sheets**



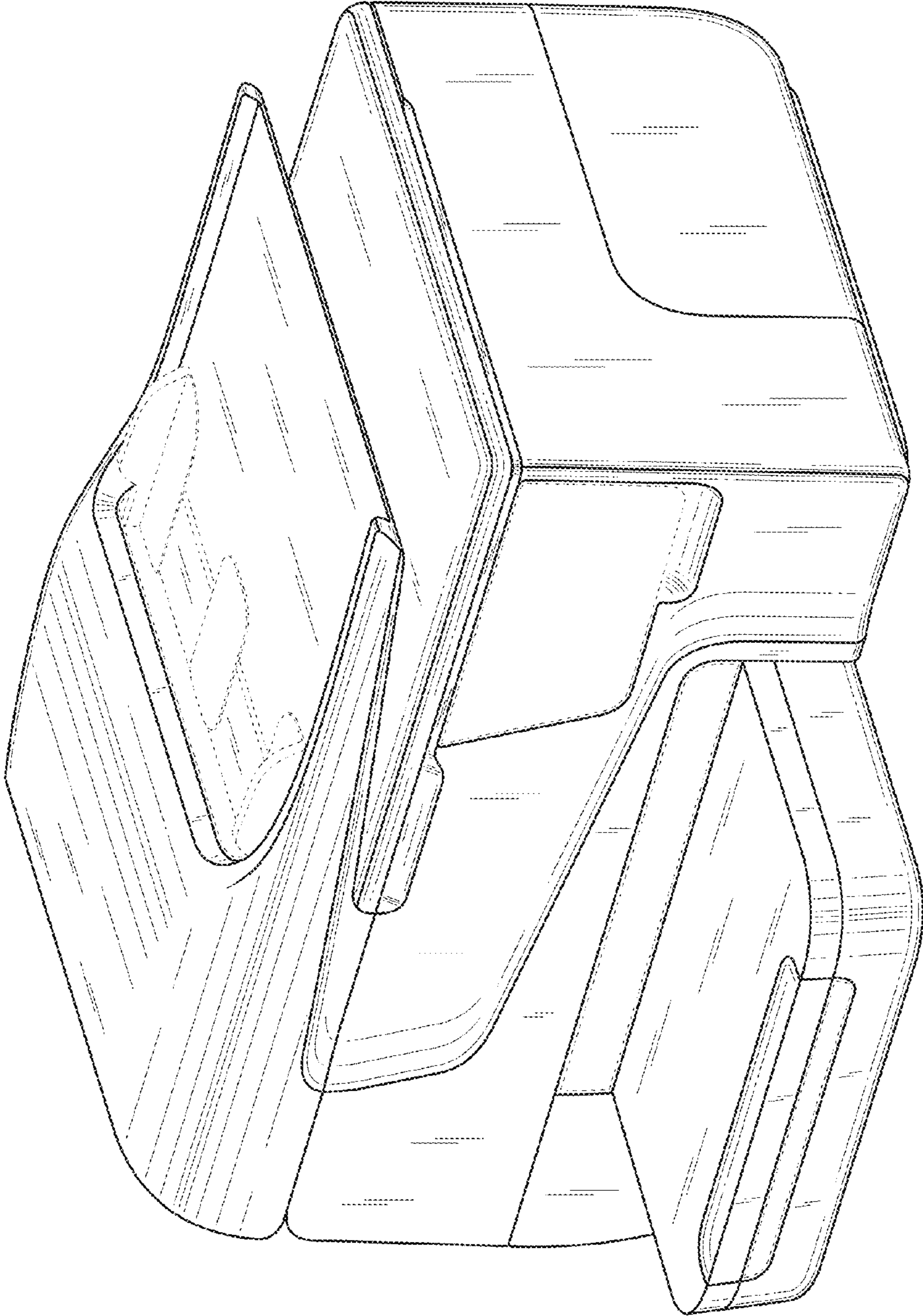


Fig. 1

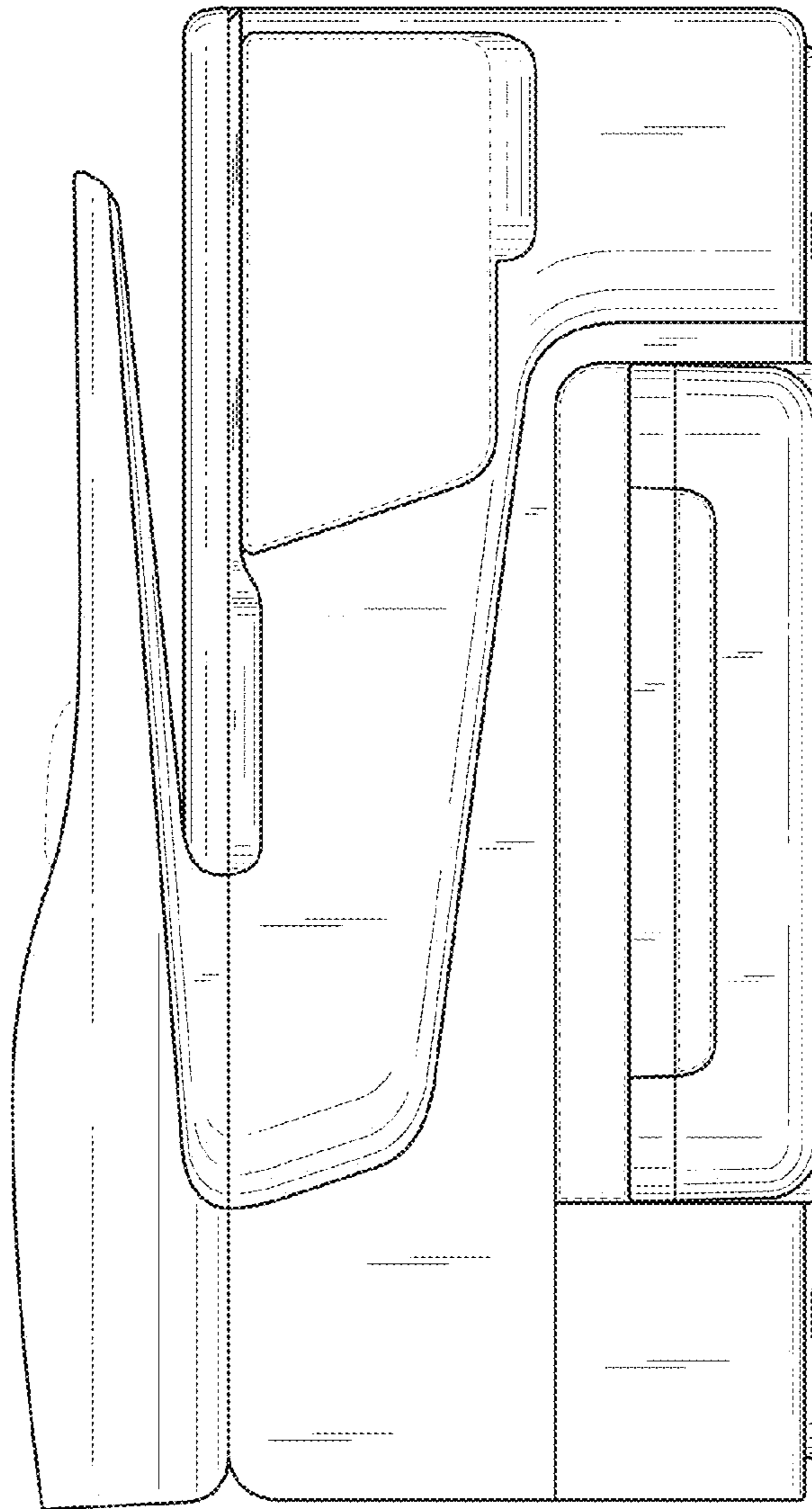


Fig. 2

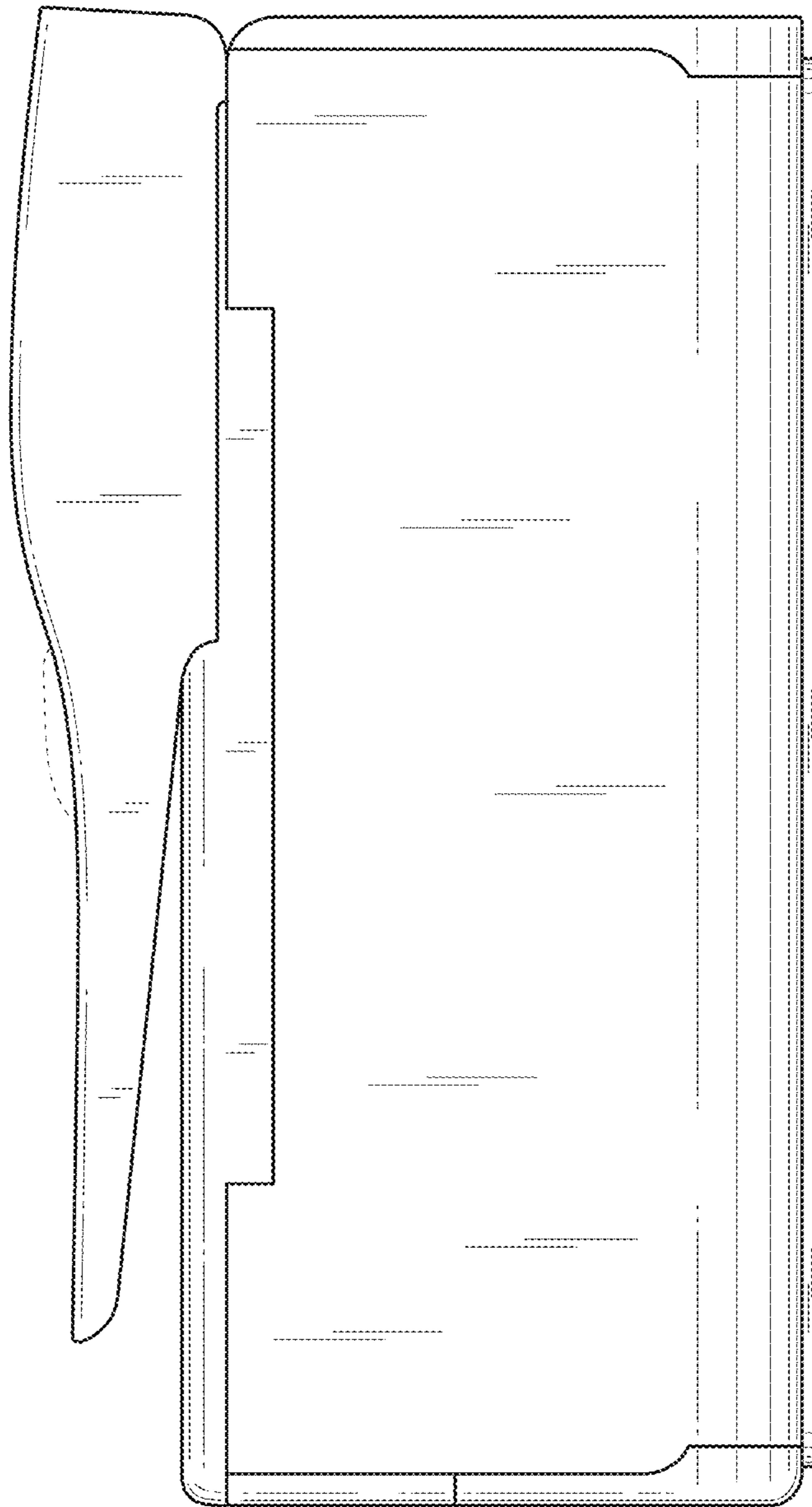


Fig. 3

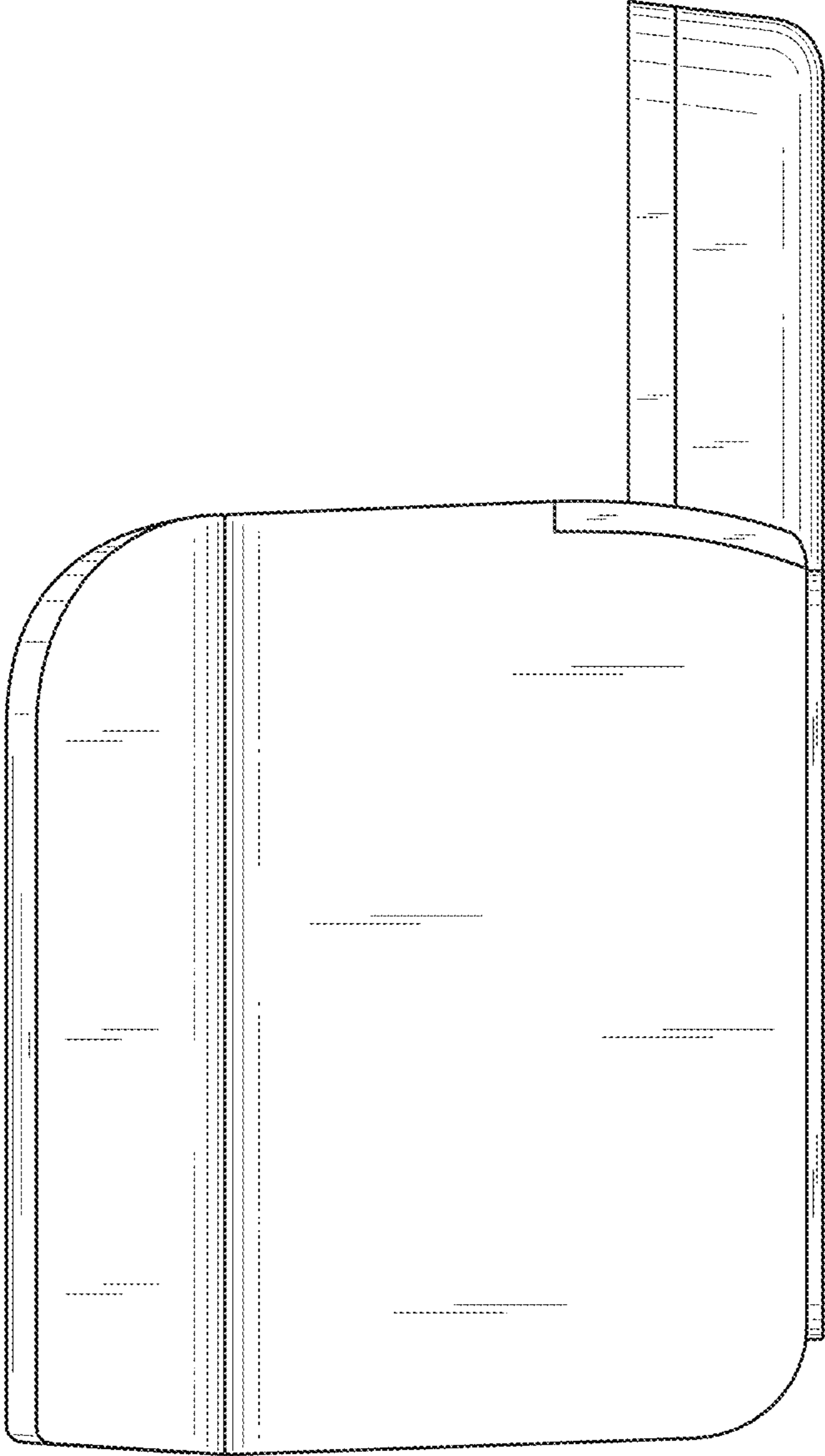


Fig. 4

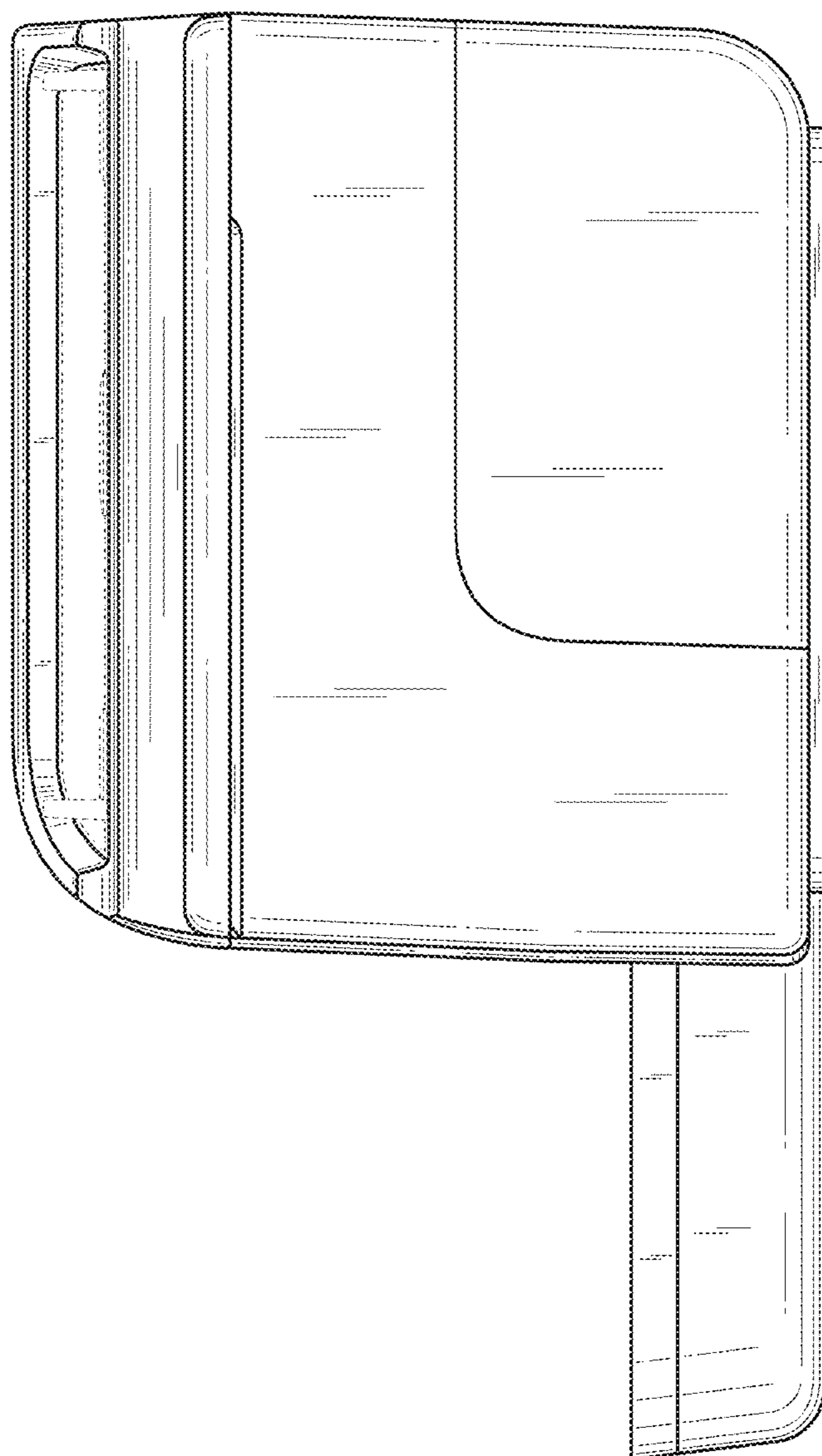


Fig. 5

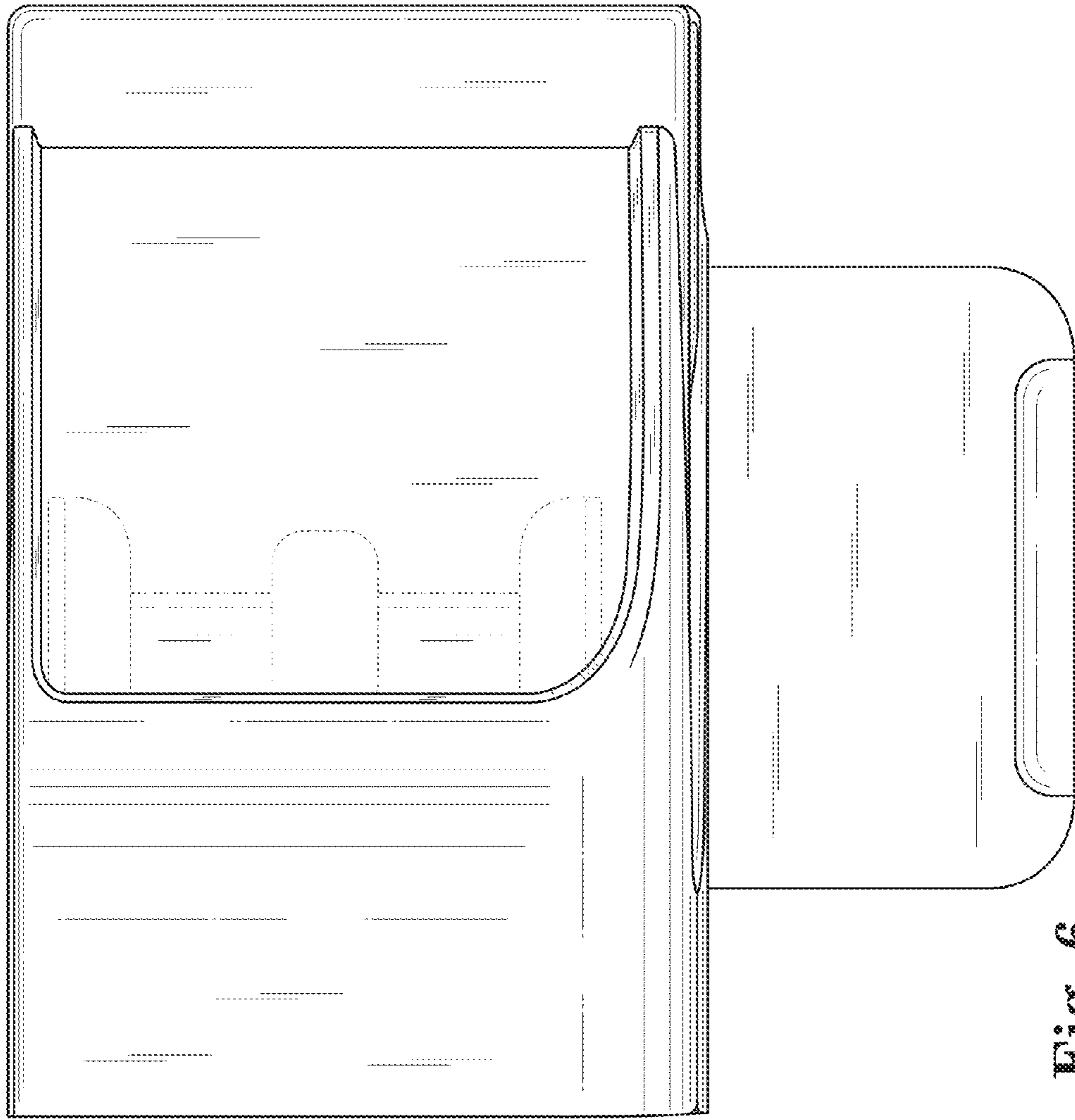


Fig. 6

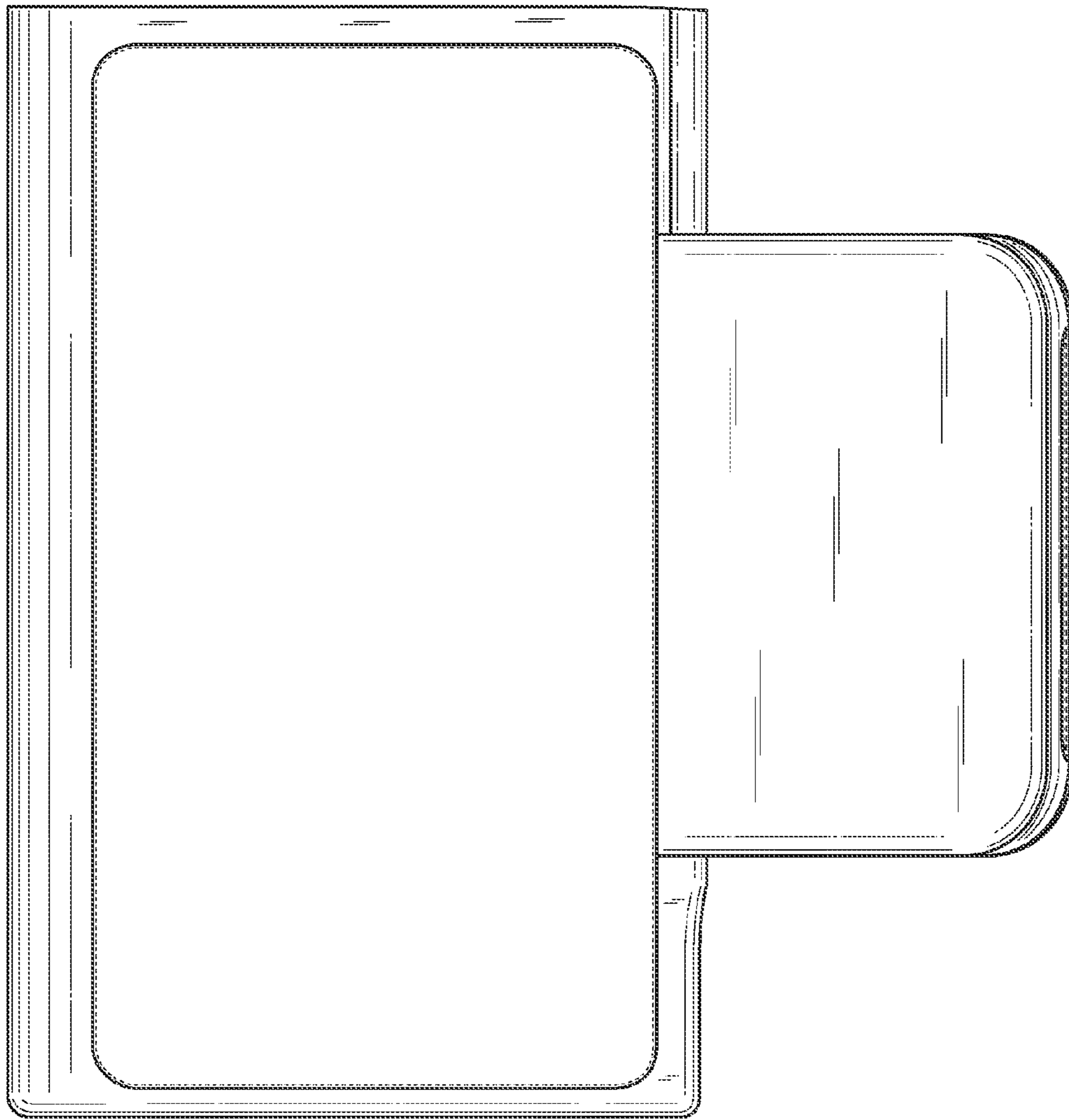


Fig. 7