



US00D680162S

(12) **United States Design Patent**  
**Goh et al.**

(10) **Patent No.:** **US D680,162 S**  
(45) **Date of Patent:** **\*\* Apr. 16, 2013**

(54) **MULTI-FUNCTION IMAGING AND PRINTING DEVICE**

(75) Inventors: **Chun Long Goh**, Singapore (SG); **Ketut Sulistyawati**, Singapore (SG); **Kok Weng Chan**, Singapore (SG); **Nick Su**, Singapore (SG); **Kok Chai Chong**, Singapore (SG)

(73) Assignee: **Hewlett-Packard Development Company, L.P.**, Houston, TX (US)

(\*\*) Term: **14 Years**

(21) Appl. No.: **29/418,402**

(22) Filed: **Apr. 16, 2012**

(51) **LOC (9) Cl.** ..... **14-02**

(52) **U.S. Cl.**  
USPC ..... **D18/55; D18/36; D14/421**

(58) **Field of Classification Search** ..... **D18/36-38, D18/50, 54-54.1, 55; D14/420-425, 462-470; 400/613, 613.1-613.4, 690.1-690.4, 691-694**  
See application file for complete search history.

(56) **References Cited**

**U.S. PATENT DOCUMENTS**

- D531,175 S \* 10/2006 Moskaluk et al. .... D18/55
- D534,578 S 1/2007 Katayama et al.
- D534,947 S 1/2007 Gant et al.
- D551,700 S 9/2007 Park et al.
- D555,194 S 11/2007 Smith et al.
- D555,720 S 11/2007 Gant et al.
- D559,899 S 1/2008 Leong et al.
- D561,251 S \* 2/2008 Tjin Wong Joe et al. .... D18/55
- D566,755 S 4/2008 Gant et al.
- D573,633 S \* 7/2008 Laidlaw et al. .... D18/55
- D579,042 S 10/2008 Hattori
- D586,384 S 2/2009 Yamaguchi et al.

- D594,508 S 6/2009 Joe et al.
- D595,347 S 6/2009 Tjin Wong Joe et al.
- D596,227 S 7/2009 Larson et al.
- D609,270 S 2/2010 Kato et al.
- D666,239 S \* 8/2012 Larson et al. .... D18/55
- D667,488 S \* 9/2012 Inoue et al. .... D18/55

**FOREIGN PATENT DOCUMENTS**

CN 301625025 S 7/2011

**OTHER PUBLICATIONS**

Hoffman, T., "HP Officejet Pro 8500A e-All-in-One Printer", Jun. 29, 2011, 4 pgs., Retrieved from < <http://www.pcmag.com/article2/0,2817,2374628,00.asp> > on Feb. 14, 2012.  
Tech Correspondent, "Epson launches 'world's fastest' small office printers", Jan. 12, 2011, 3 pgs., Retrieved from < <http://www.dancewithshadows.com/tech/epson-launches-worlds-fastest-small-office-printers/> > on Feb. 23, 2012.

\* cited by examiner

*Primary Examiner* — Cathy A MacCormac

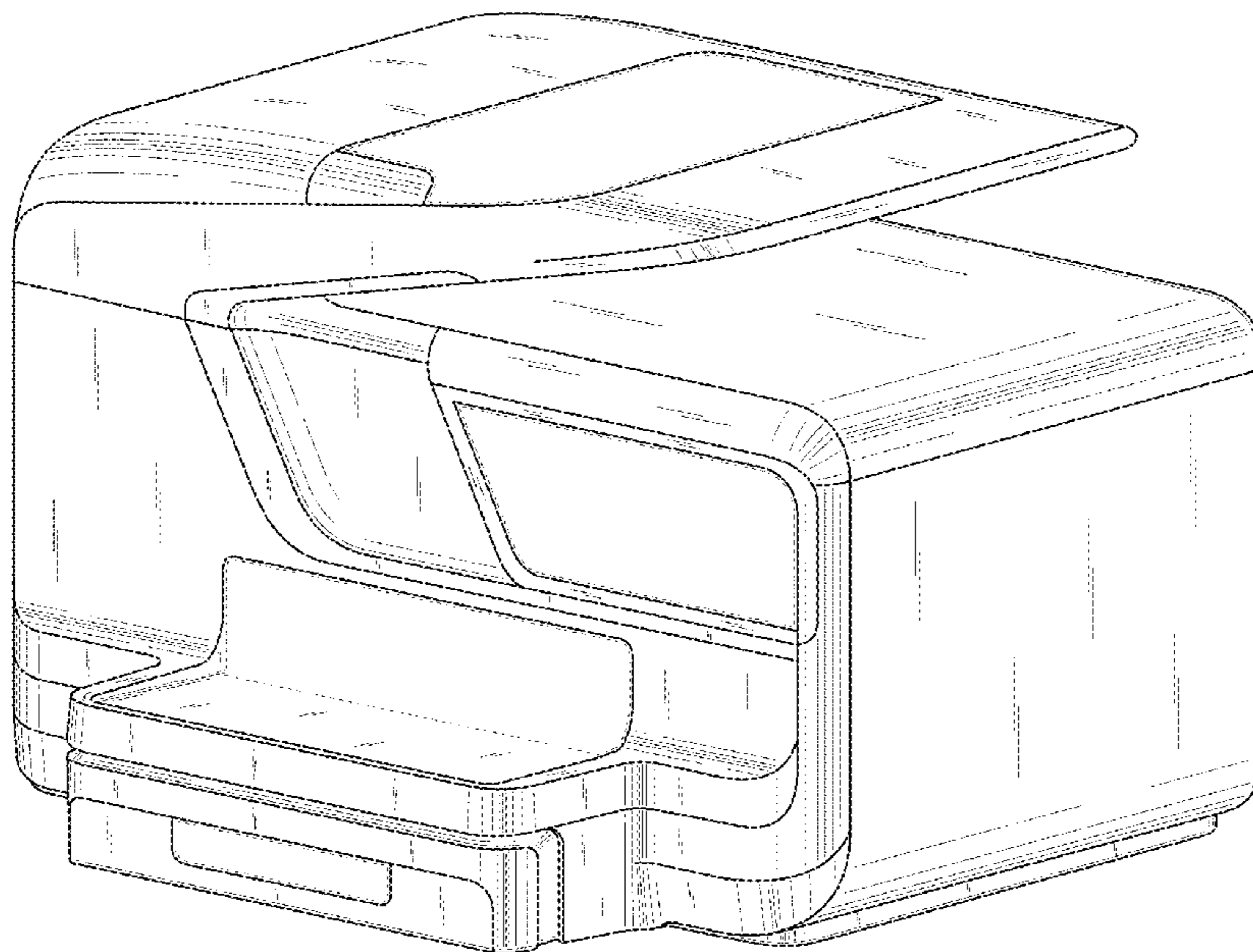
(57) **CLAIM**

The ornamental design for a multi-function imaging and printing device, substantially as shown and described.

**DESCRIPTION**

FIG. 1 is a right-front perspective view of the design for the multi-function imaging and printing device;  
FIG. 2 is a front view thereof;  
FIG. 3 is a rear view thereof;  
FIG. 4 is a left side view thereof;  
FIG. 5 is a right side view thereof;  
FIG. 6 is a top view thereof; and,  
FIG. 7 is a bottom view thereof.  
The portions shown in broken lines are for illustrative purposes only and form no part of the claimed design.

**1 Claim, 7 Drawing Sheets**



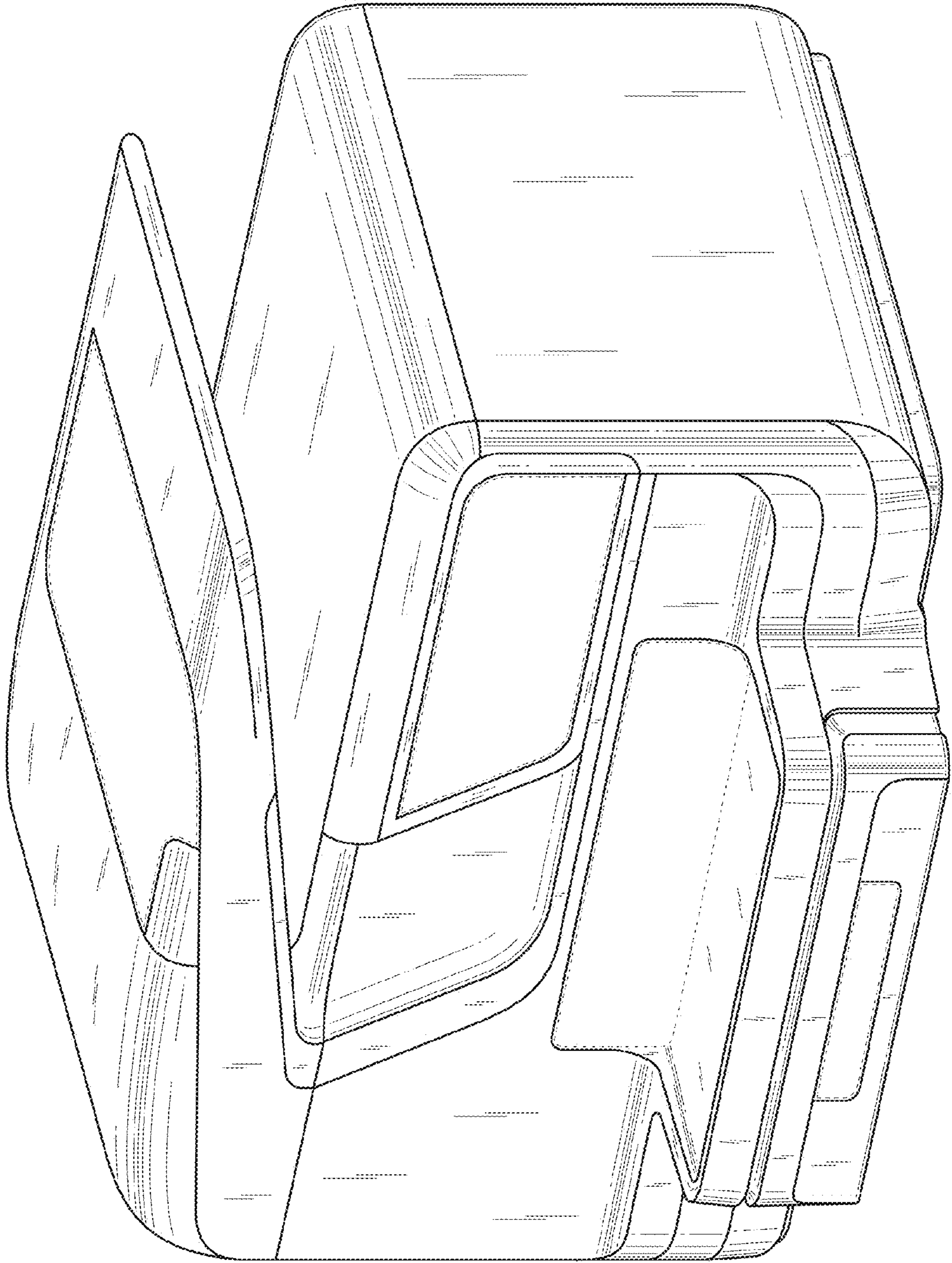


Fig. 1

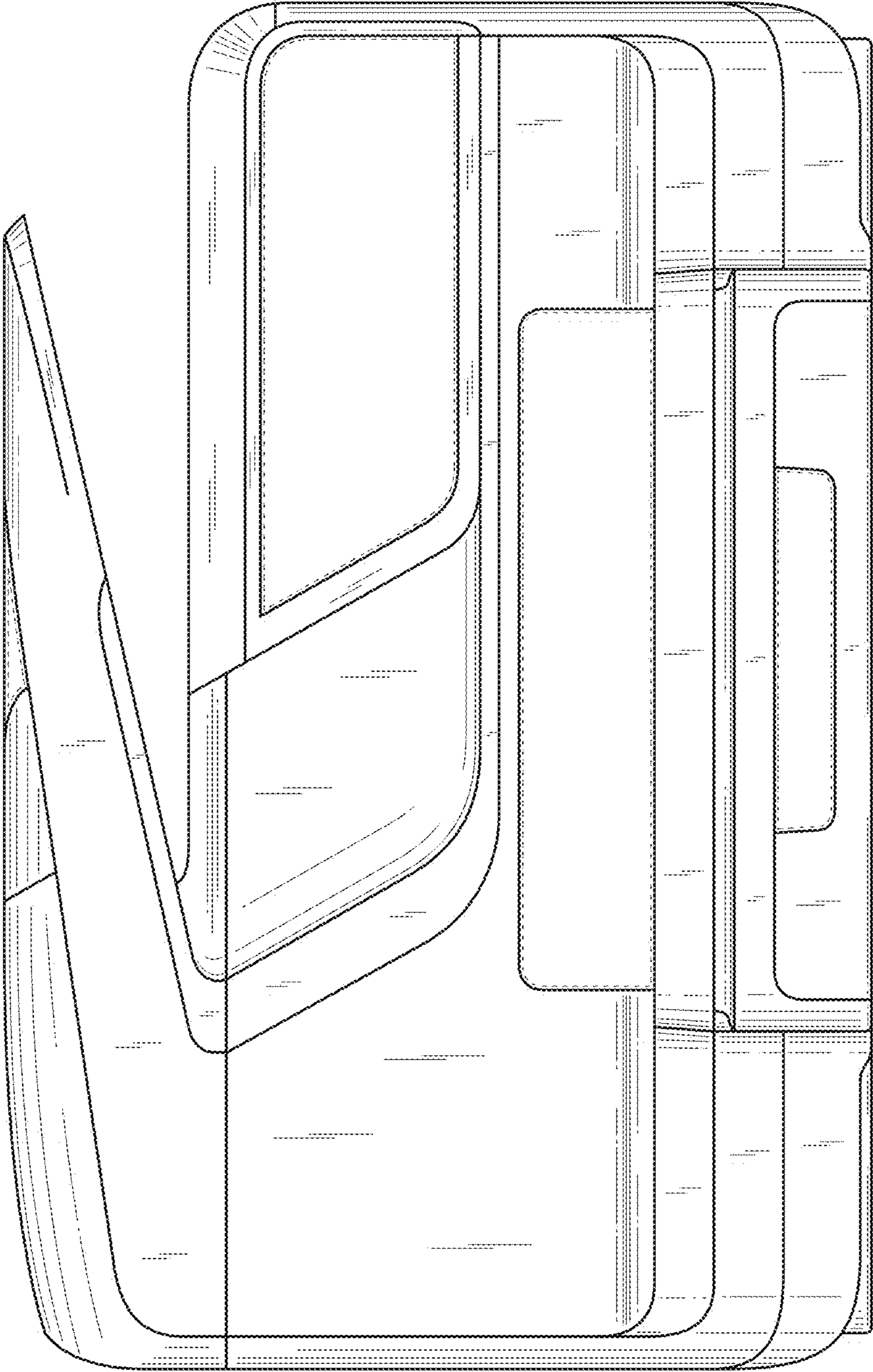


Fig. 2



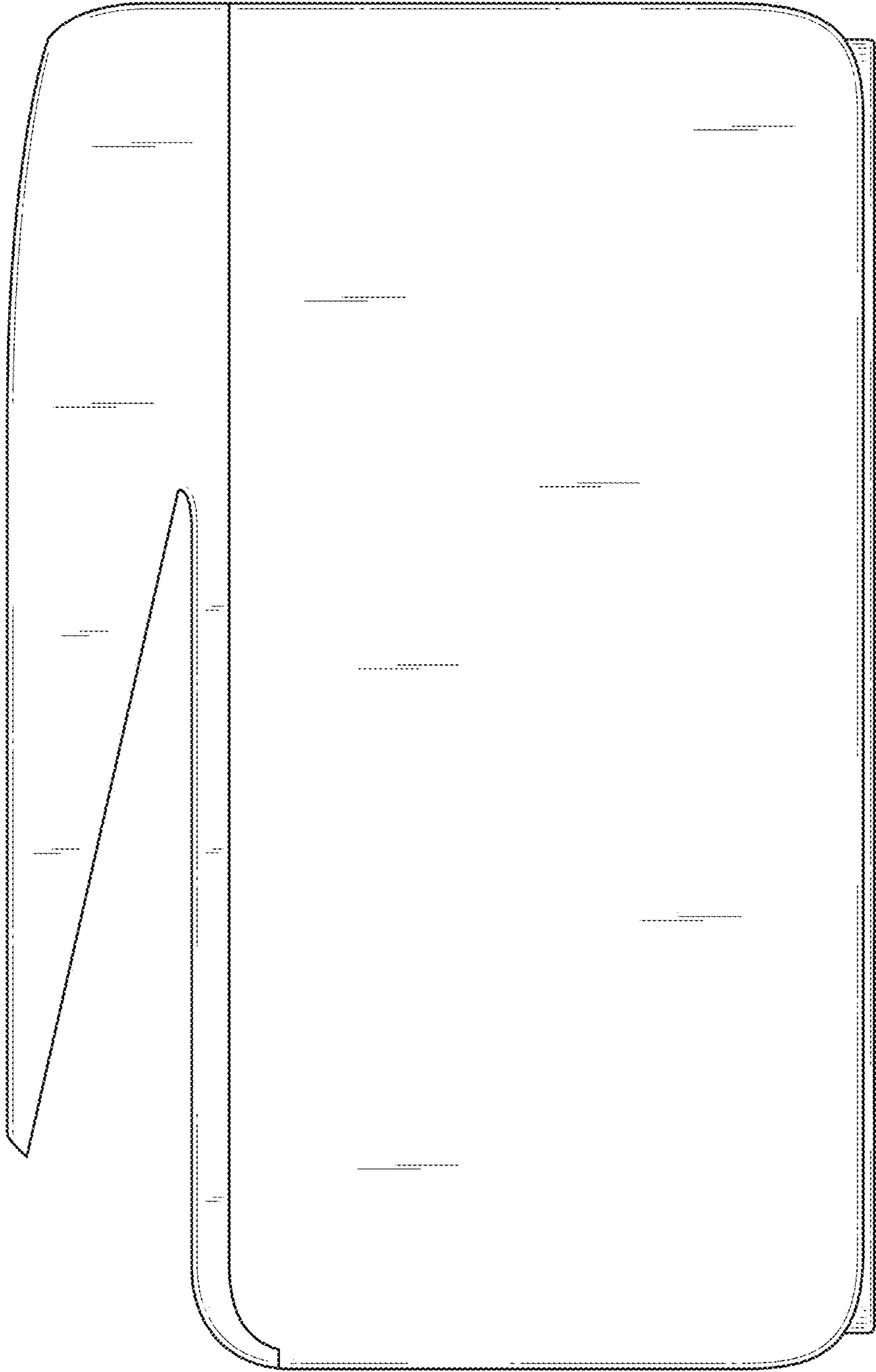


Fig. 3

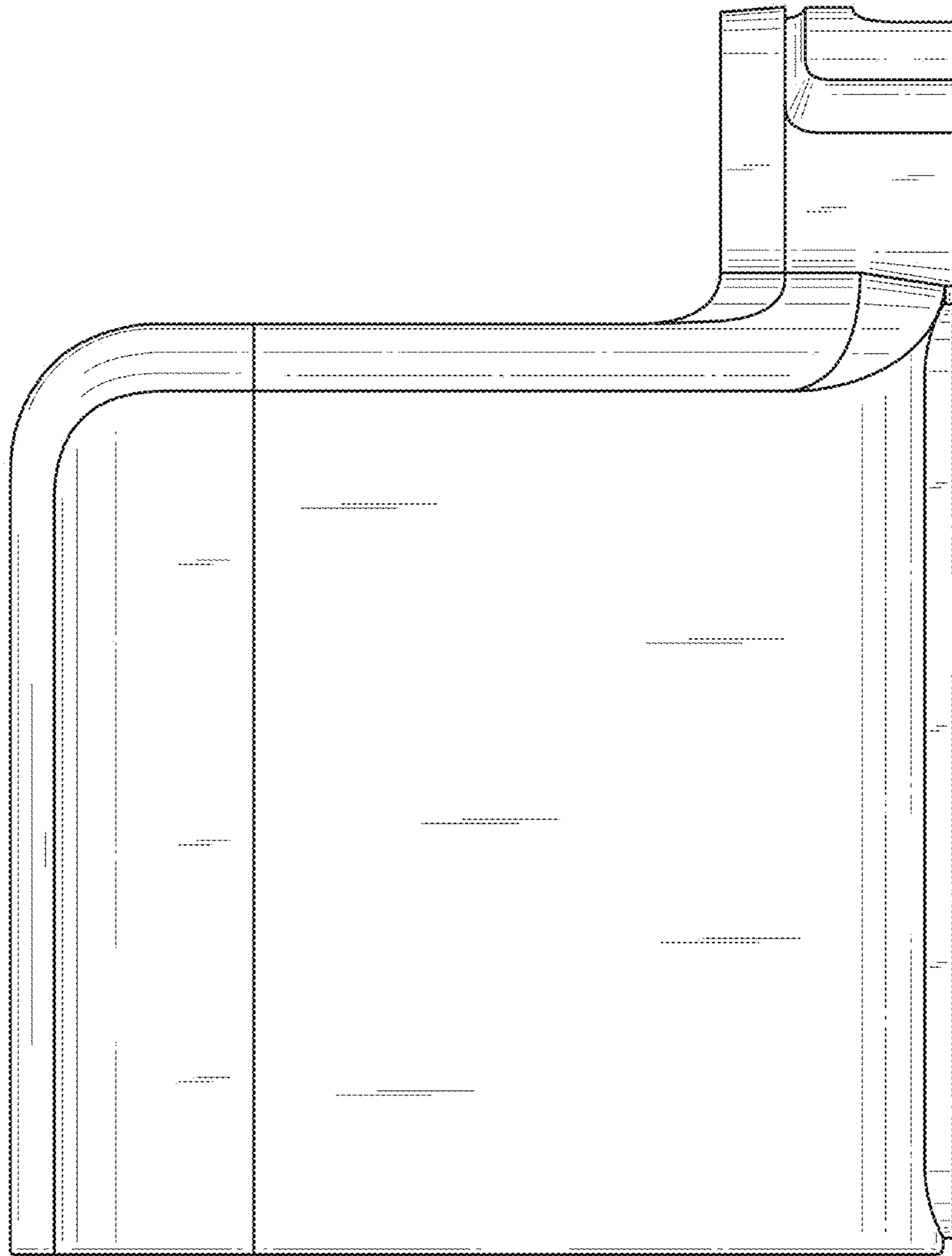


Fig. 4

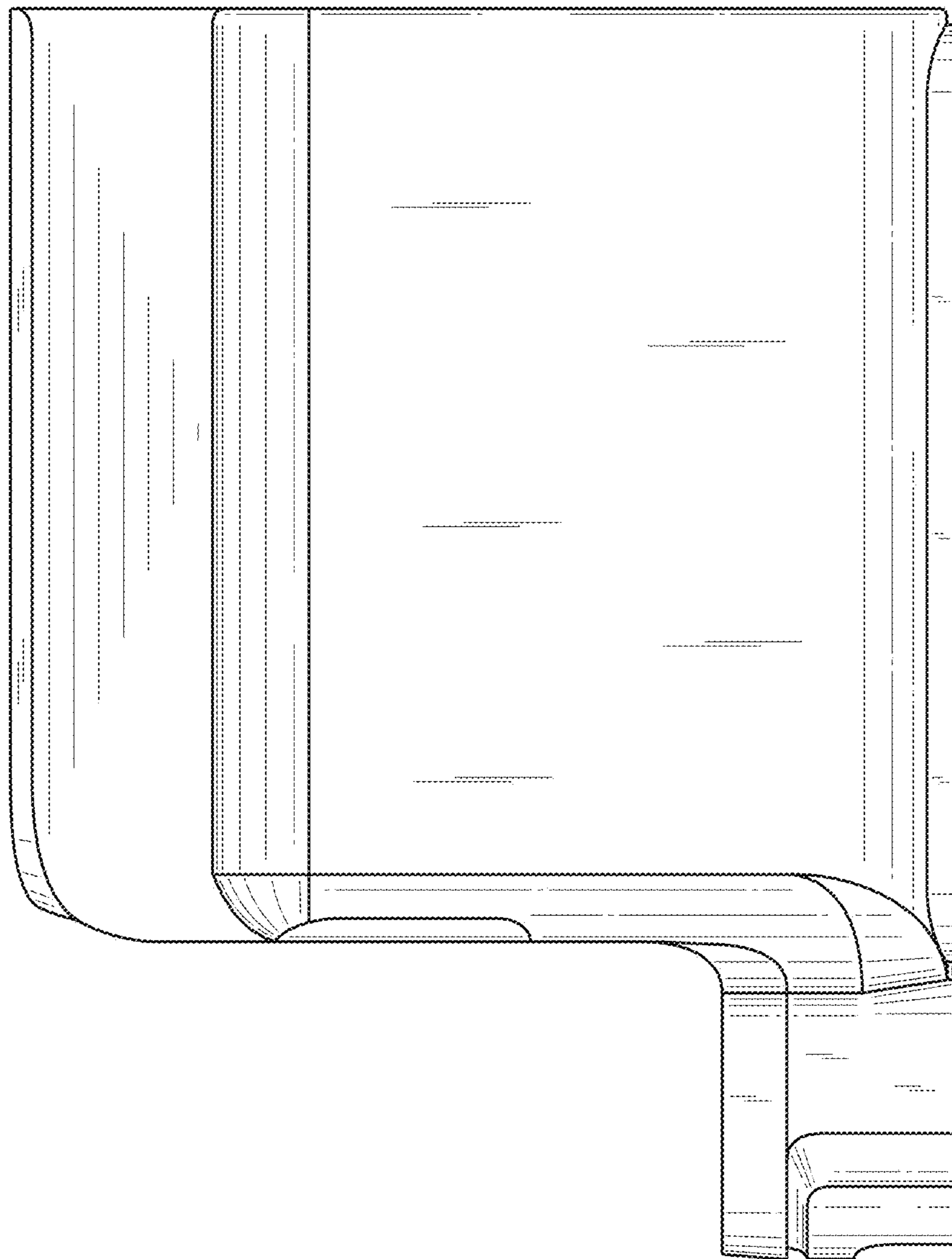


Fig. 5

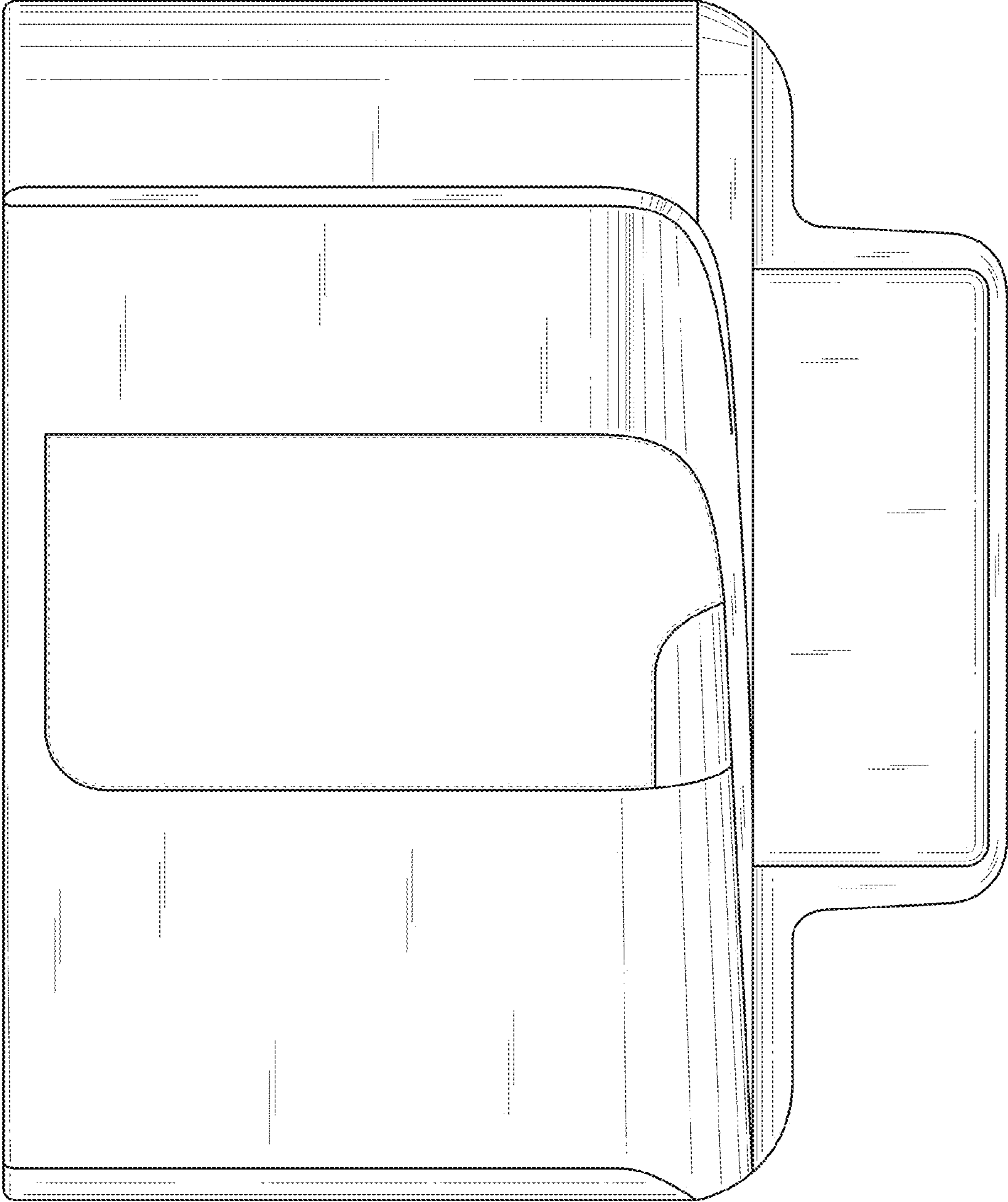


Fig. 6

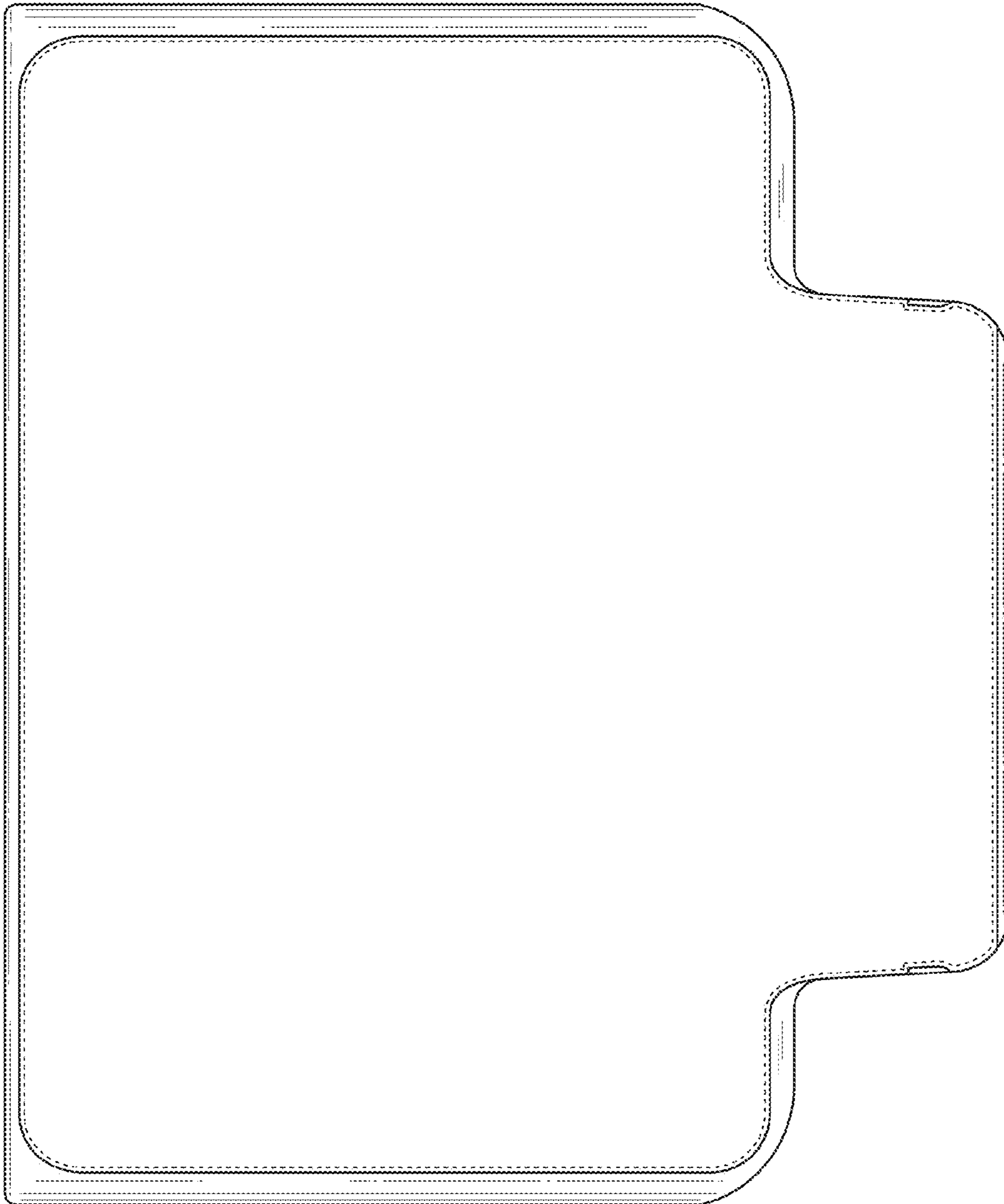


Fig. 7