

US00D680161S

(12) **United States Design Patent**
Goh et al.

(10) **Patent No.:** **US D680,161 S**

(45) **Date of Patent:** **** Apr. 16, 2013**

(54) **PRINTER**

(75) Inventors: **Chun Long Goh**, Singapore (SG);
Kiran Kattesomanahalli
Shanthamallappa, Singapore (SG);
Kuan Soon Oong, Singapore (SG);
Heng Yong Lau, Singapore (SG); **Nick**
Su, Singapore (SG)

(73) Assignee: **Hewlett-Packard Development**
Company, L.P., Houston, TX (US)

(**) Term: **14 Years**

(21) Appl. No.: **29/418,403**

(22) Filed: **Apr. 16, 2012**

(51) **LOC (9) Cl.** **14-02**

(52) **U.S. Cl.**
USPC **D18/50**

(58) **Field of Classification Search** D18/36-38,
D18/50, 54-54.1, 55; D14/420-425, 462-470;
400/613, 613.1-613.4, 690.1-690.4, 691-694
See application file for complete search history.

(56) **References Cited**

U.S. PATENT DOCUMENTS

D468,765 S *	1/2003	Kobayashi et al.	D18/55
D489,754 S *	5/2004	Akahane et al.	D18/55
D516,622 S *	3/2006	Suzuki et al.	D18/55
D519,151 S	4/2006	Tashiro		
D525,294 S	7/2006	Katayama et al.		
D530,738 S *	10/2006	Tay et al.	D18/55
D538,334 S *	3/2007	Lee et al.	D18/55
D539,840 S	4/2007	Whittall et al.		
D571,807 S	6/2008	Ogawa		
D594,508 S *	6/2009	Joe et al.	D18/55
D599,848 S	9/2009	Suzuki et al.		
D607,049 S *	12/2009	Sasaki et al.	D18/55

D608,823 S *	1/2010	Tomono	D18/55
D623,221 S	9/2010	Yonekawa et al.		
D627,390 S	11/2010	Terenzio et al.		
D634,361 S	3/2011	Terenzio et al.		
D641,038 S	7/2011	Park et al.		
D641,395 S	7/2011	Park et al.		
D643,875 S	8/2011	Suzuki et al.		
D645,896 S	9/2011	Iwai et al.		
D645,897 S *	9/2011	Chuang et al.	D18/50
D648,378 S	11/2011	Ishikawa et al.		
D648,782 S	11/2011	Dwyer et al.		
D673,211 S *	12/2012	Oishi	D18/50

OTHER PUBLICATIONS

Canon Pixma iP3600—Best Suited for Photo and Daily Printing,
May 5, 2011, 4 pgs., Retrieved from < <http://tom2network.com/canon-pixma-ip3600-best-suited-for-photo-and-daily-printing/> > on
Feb. 14, 2012.

(Continued)

Primary Examiner — Cathy A MacCormac

(57) **CLAIM**

The ornamental design for a printer, substantially as shown
and described.

DESCRIPTION

FIG. 1 is a right-front perspective view of the design for the
printer;

FIG. 2 is a front view thereof;

FIG. 3 is a rear view thereof;

FIG. 4 is a left side view thereof;

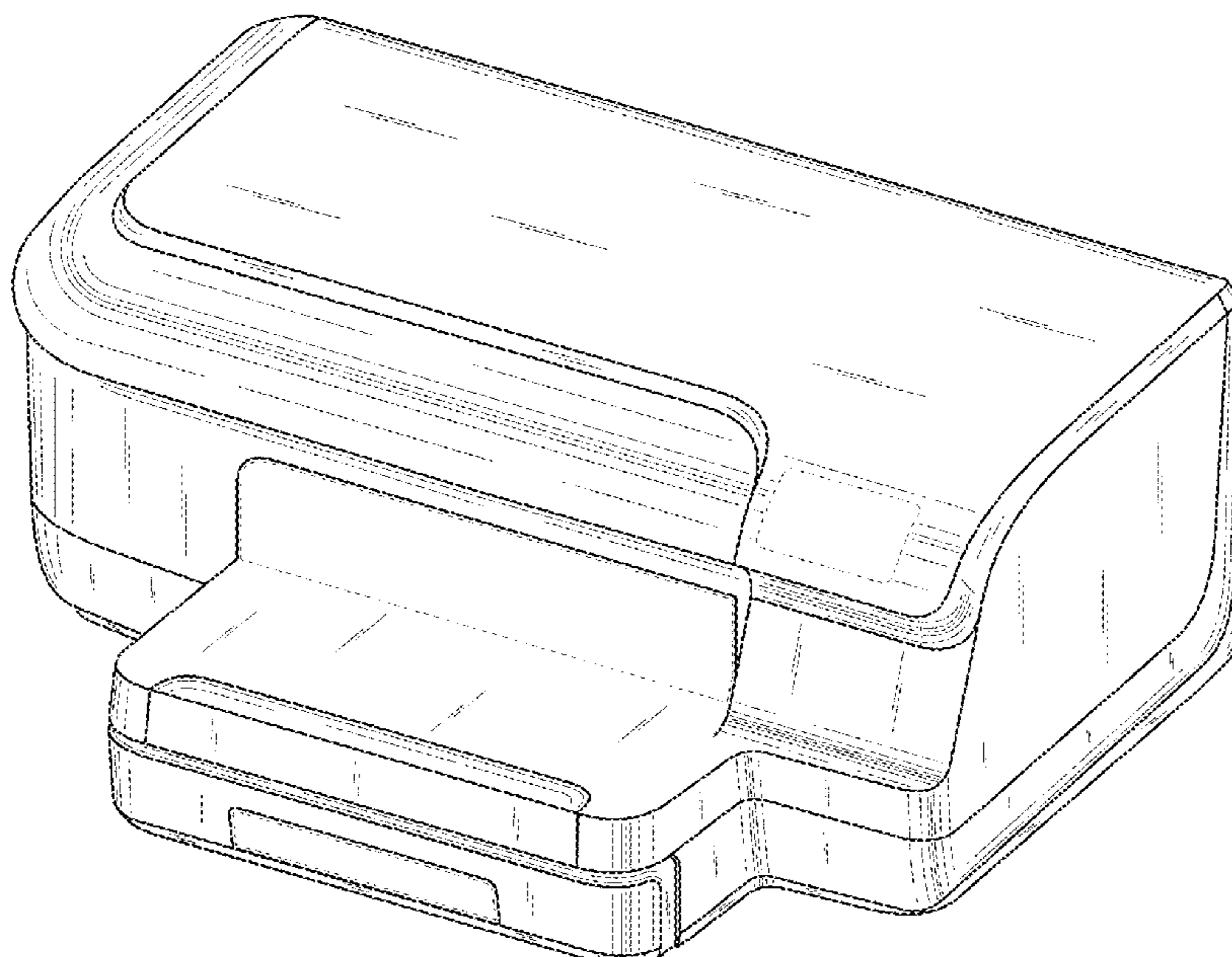
FIG. 5 is a right side view thereof;

FIG. 6 is a top view thereof; and,

FIG. 7 is a bottom view thereof.

The portions shown in broken lines are for illustrative pur-
poses only and form no part of the claimed design.

1 Claim, 7 Drawing Sheets



OTHER PUBLICATIONS

HP Deskjet F2480 All-in-One Printer, 1 pg., Retrieved from < <http://compareprinter.net/blog/wp-content/uploads/2011/05/HP-Deskjet-F2480-All-in-One-Printer-Price-Philippines.jpg> > on Feb. 14, 2012.
Memjet Office Printer, 2 pgs., Retrieved from < http://www.pcmag.com/slideshow_viewer/0,3253,1%253D2658-31%2526a%253D265791%2526po%253D1,00.asp?p=n > on Feb. 14, 2012.

Schaffer, Christina, “How to Stop an HP Printer Message in Vista”, 4 pgs., Copyright 2012, Salon Media Group, Inc., Retrieved from < <http://techtips.salon.com/stop-hp-printer-message-vista-618.html> > on Feb. 14, 2012.

HP LaserJet Pro CP1525 Color Printer Price—Compact, Easy-to-Use Printer with Versatile Connectivity, Aug. 29, 2011, 1 pg.

* cited by examiner

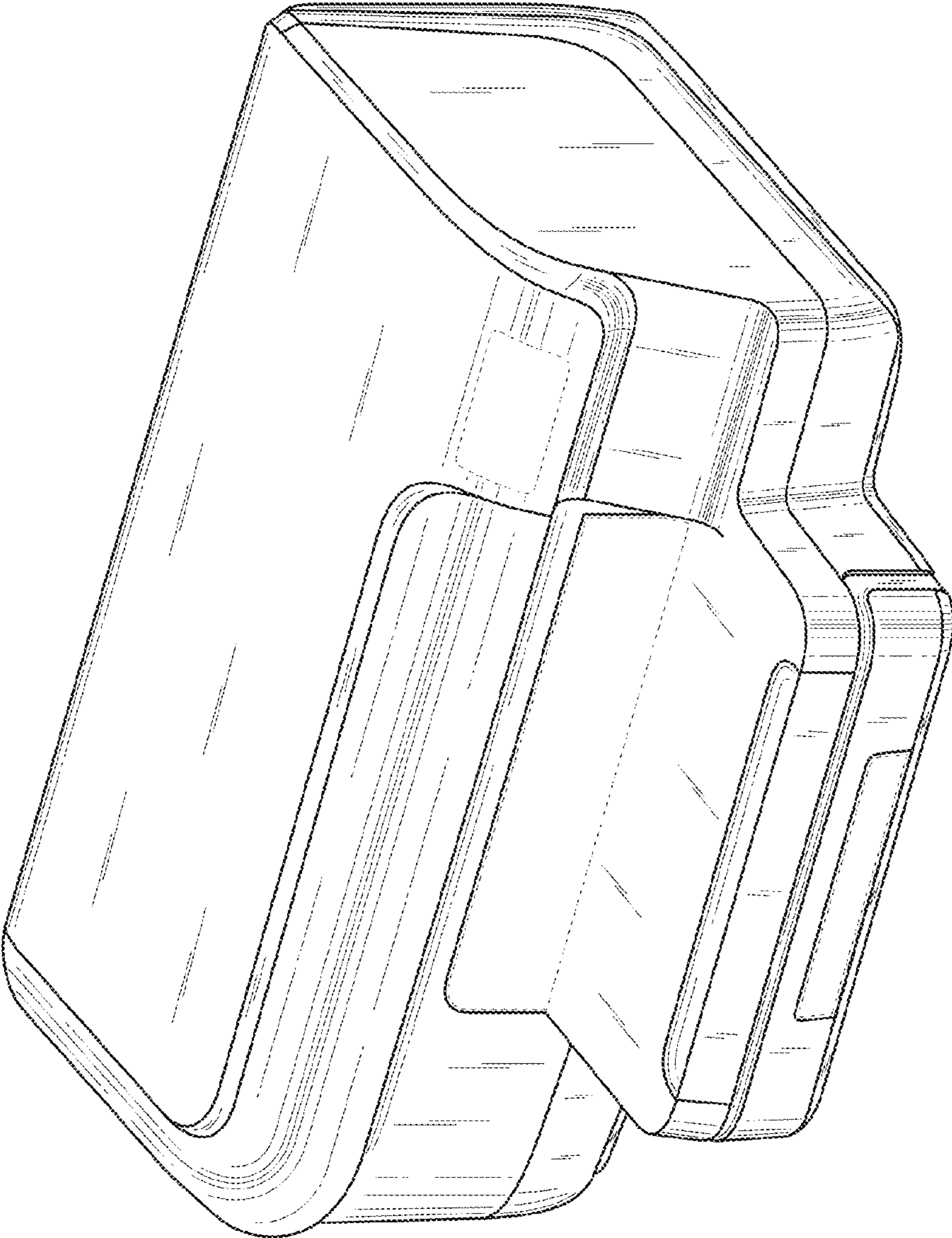


Fig. 1

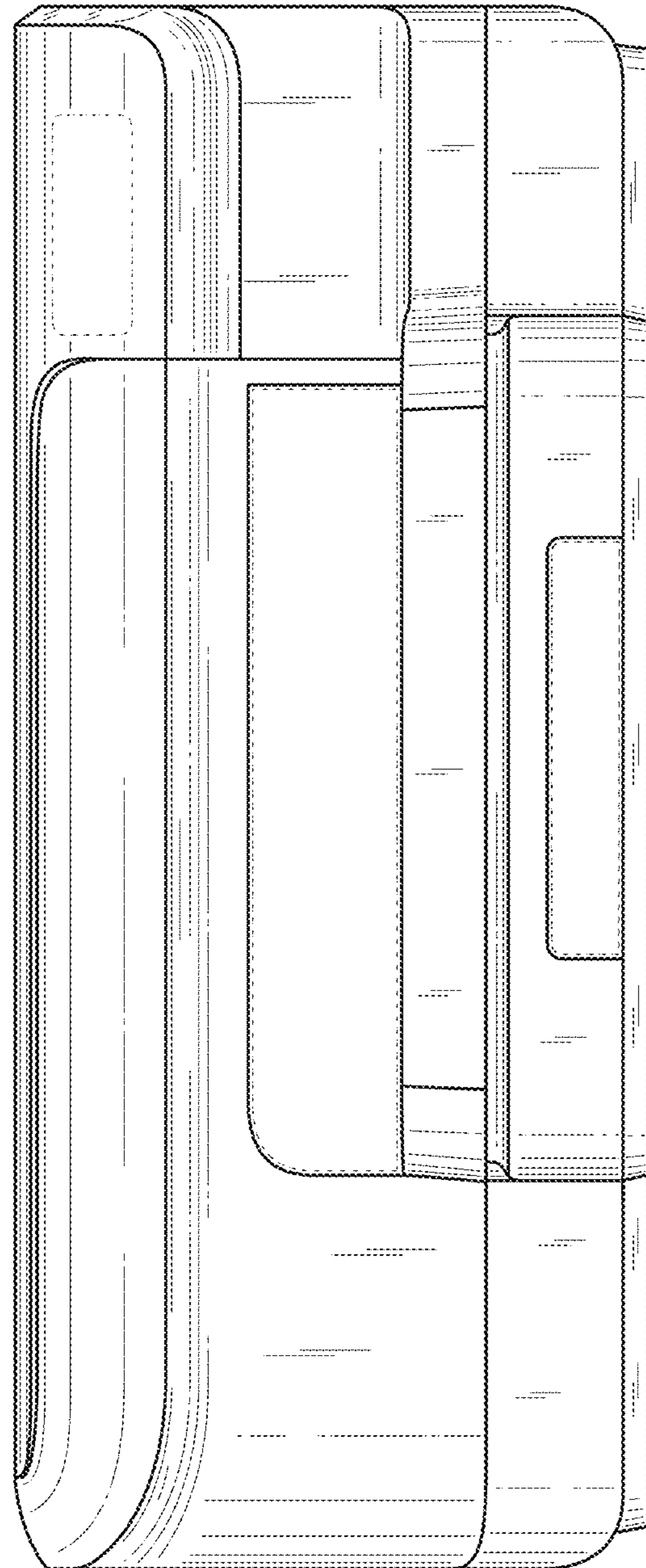


Fig. 2

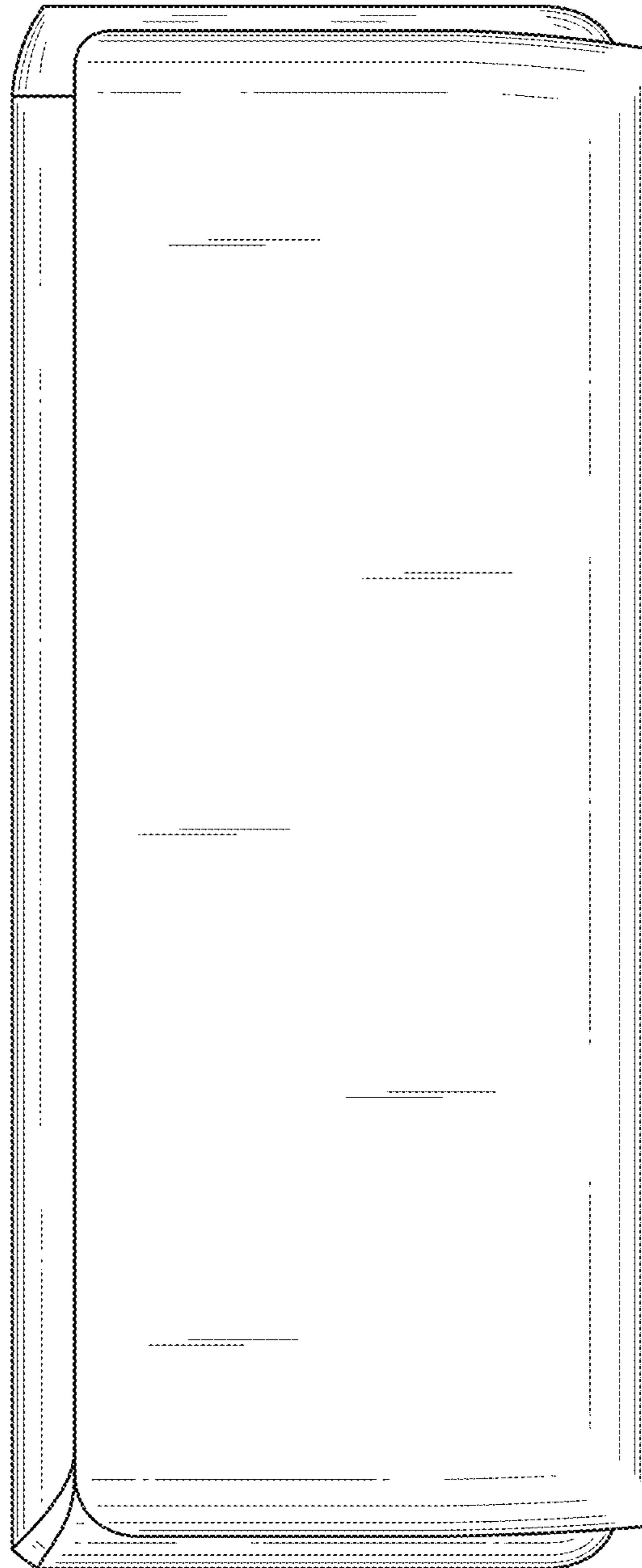


Fig. 3

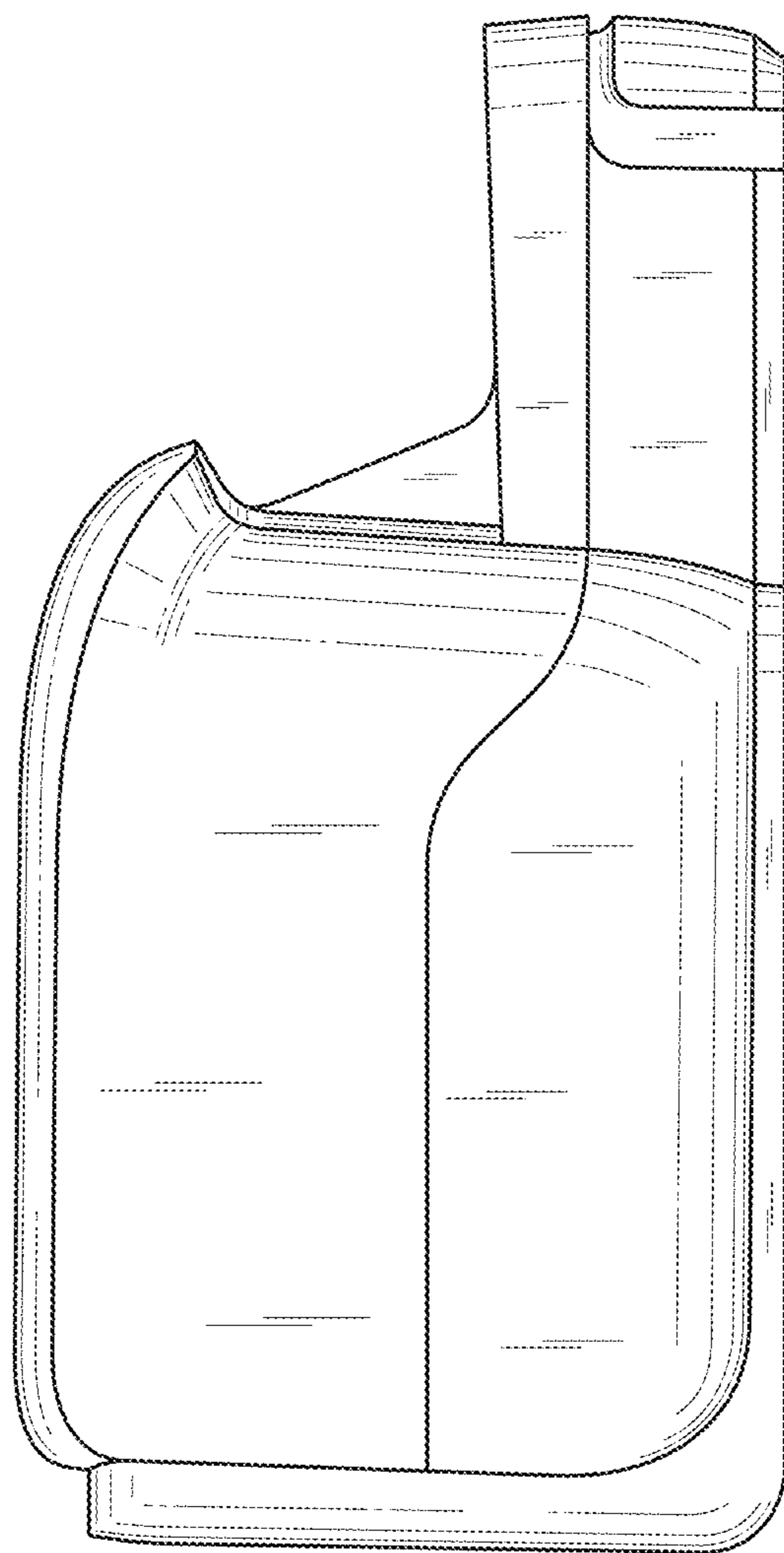


Fig. 4

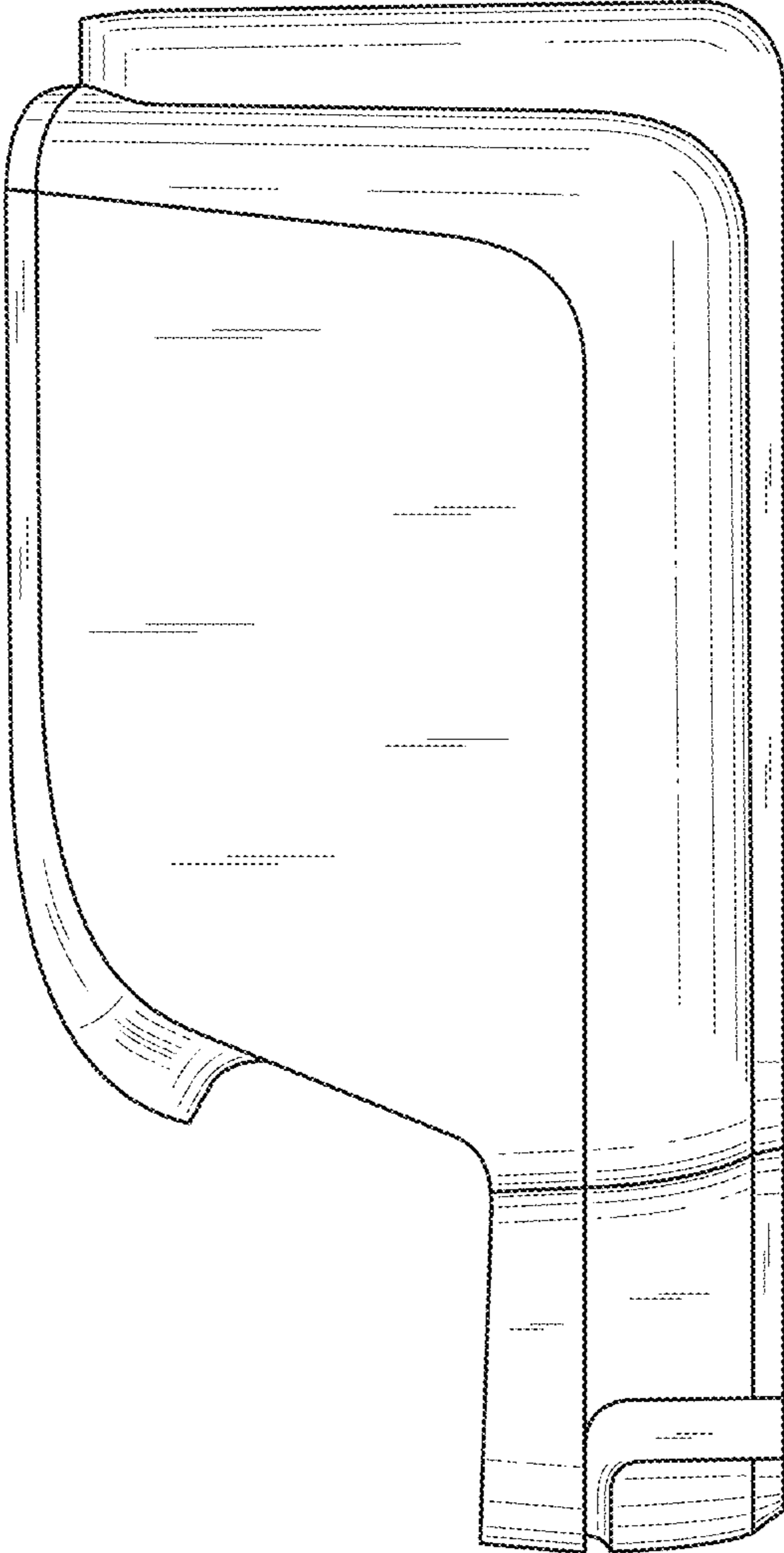


Fig. 5

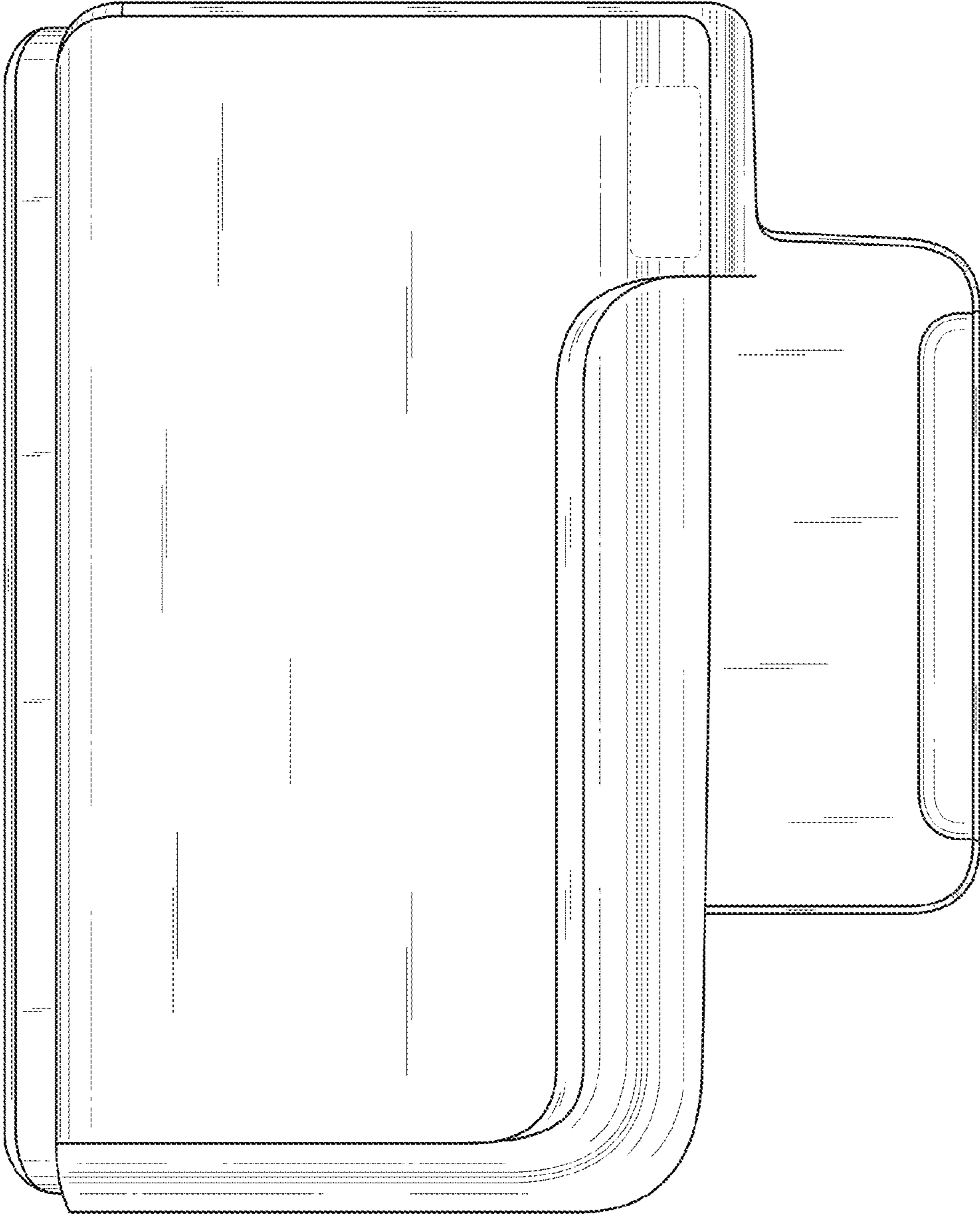


Fig. 6

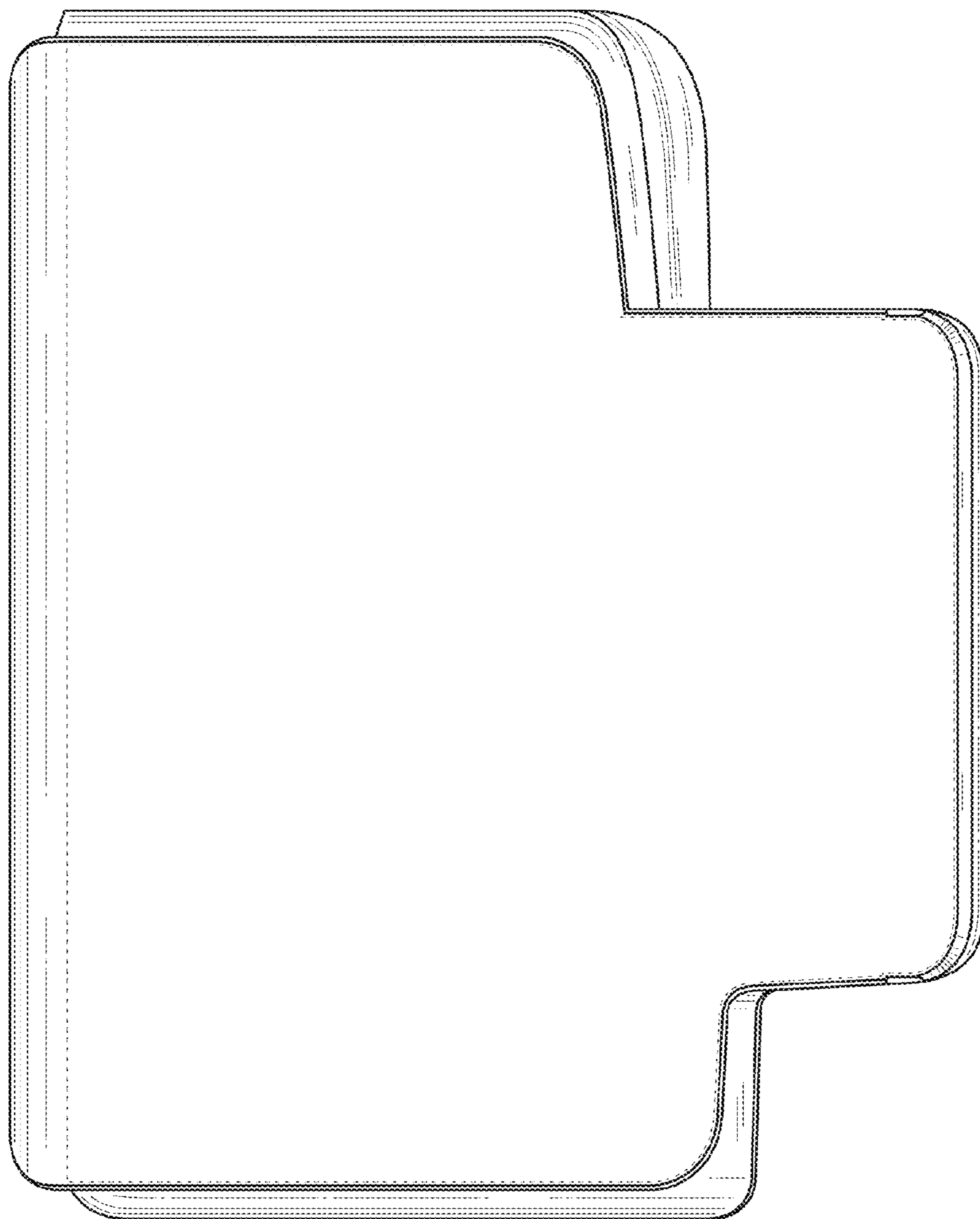


Fig. 7