



US00D680160S

(12) **United States Design Patent**  
**Egami**

(10) **Patent No.:** **US D680,160 S**

(45) **Date of Patent:** **\*\* Apr. 16, 2013**

(54) **TEXTILE PRINTER**

(75) Inventor: **Keiichiro Egami**, Nagoya (JP)

(73) Assignee: **Brother Industries, Ltd.**, Nagoya (JP)

(\*\*) Term: **14 Years**

(21) Appl. No.: **29/416,239**

(22) Filed: **Mar. 20, 2012**

(30) **Foreign Application Priority Data**

Oct. 13, 2011 (JP) ..... 2011-23484

(51) **LOC (9) Cl.** ..... **14-02**

(52) **U.S. Cl.**  
USPC ..... **D18/50**

(58) **Field of Classification Search** ..... D18/14,  
D18/19, 36-37, 50, 53, 54, 54.1, 55; D14/452-425,  
D14/463-470; 400/613, 613.1-613.4, 690,  
400/690.1-690.4, 691-694  
See application file for complete search history.

(56) **References Cited**

**U.S. PATENT DOCUMENTS**

4,009,656 A \* 3/1977 Vertegaal ..... 101/129  
D260,903 S \* 9/1981 Overman ..... D18/36

D314,787 S \* 2/1991 Gotham ..... D18/36  
D358,603 S \* 5/1995 Dodge et al. .... D18/55  
D524,361 S \* 7/2006 Niimi et al. .... D18/50  
D527,415 S \* 8/2006 Omuro et al. .... D18/50  
D532,451 S \* 11/2006 Ito et al. .... D18/55  
D607,926 S \* 1/2010 Miyauchi et al. .... D18/55  
D640,737 S \* 6/2011 Tsuruta et al. .... D18/53  
D650,388 S \* 12/2011 Hidaka ..... D14/422  
D667,871 S \* 9/2012 Suzuki et al. .... D18/50

\* cited by examiner

*Primary Examiner* — Cathy A MacCormac

(74) *Attorney, Agent, or Firm* — Oliff & Berridge, PLC

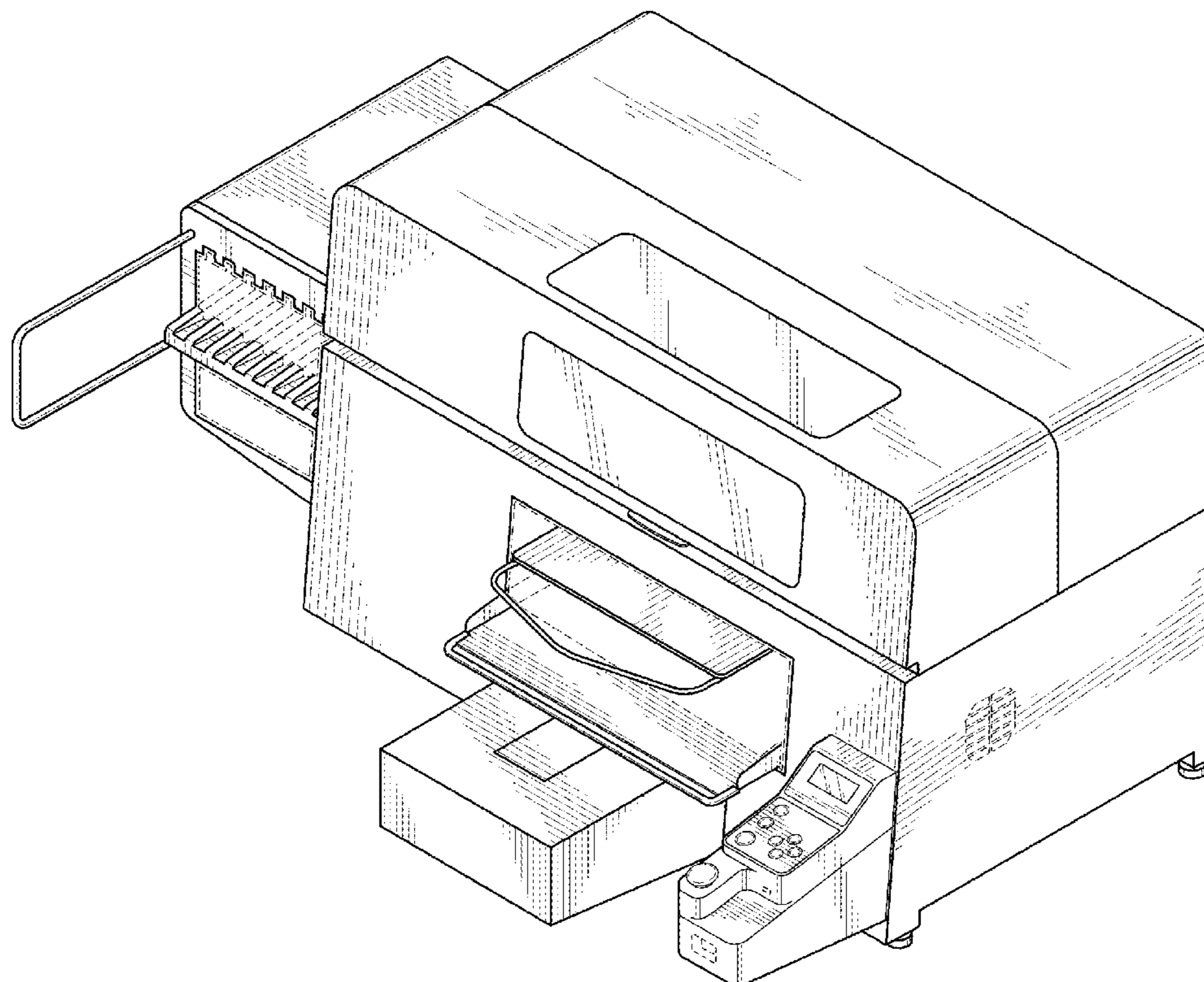
(57) **CLAIM**

The ornamental design for a textile printer, as shown and described.

**DESCRIPTION**

FIG. 1 is a perspective view of a textile printer;  
FIG. 2 is a front view thereof;  
FIG. 3 is a top view thereof;  
FIG. 4 is a right-side view thereof;  
FIG. 5 is a left-side view thereof;  
FIG. 6 is a rear view thereof; and,  
FIG. 7 is a bottom view thereof.  
The broken lines depict unclaimed subject matter only and form no part of the claimed design.

**1 Claim, 6 Drawing Sheets**



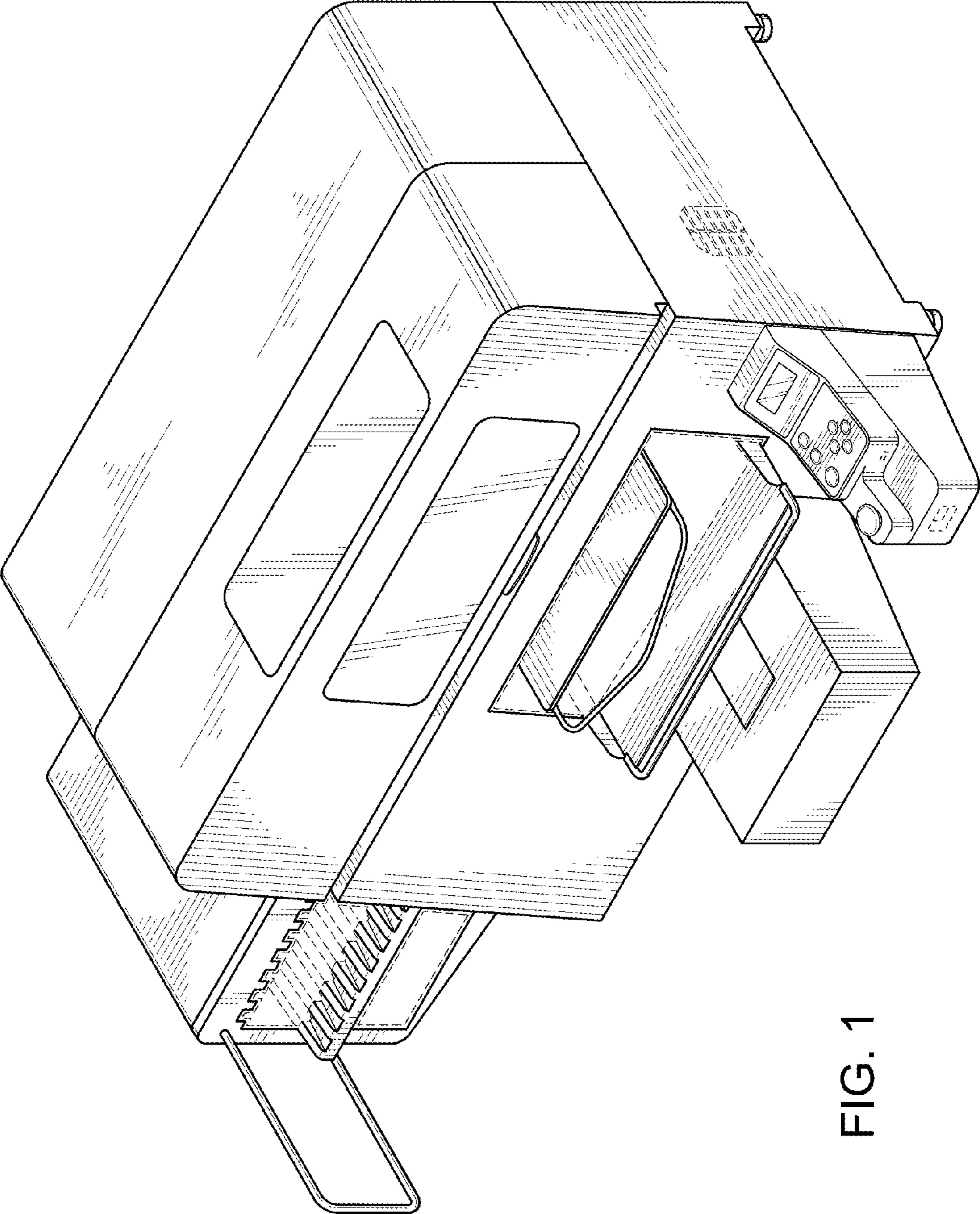


FIG. 1

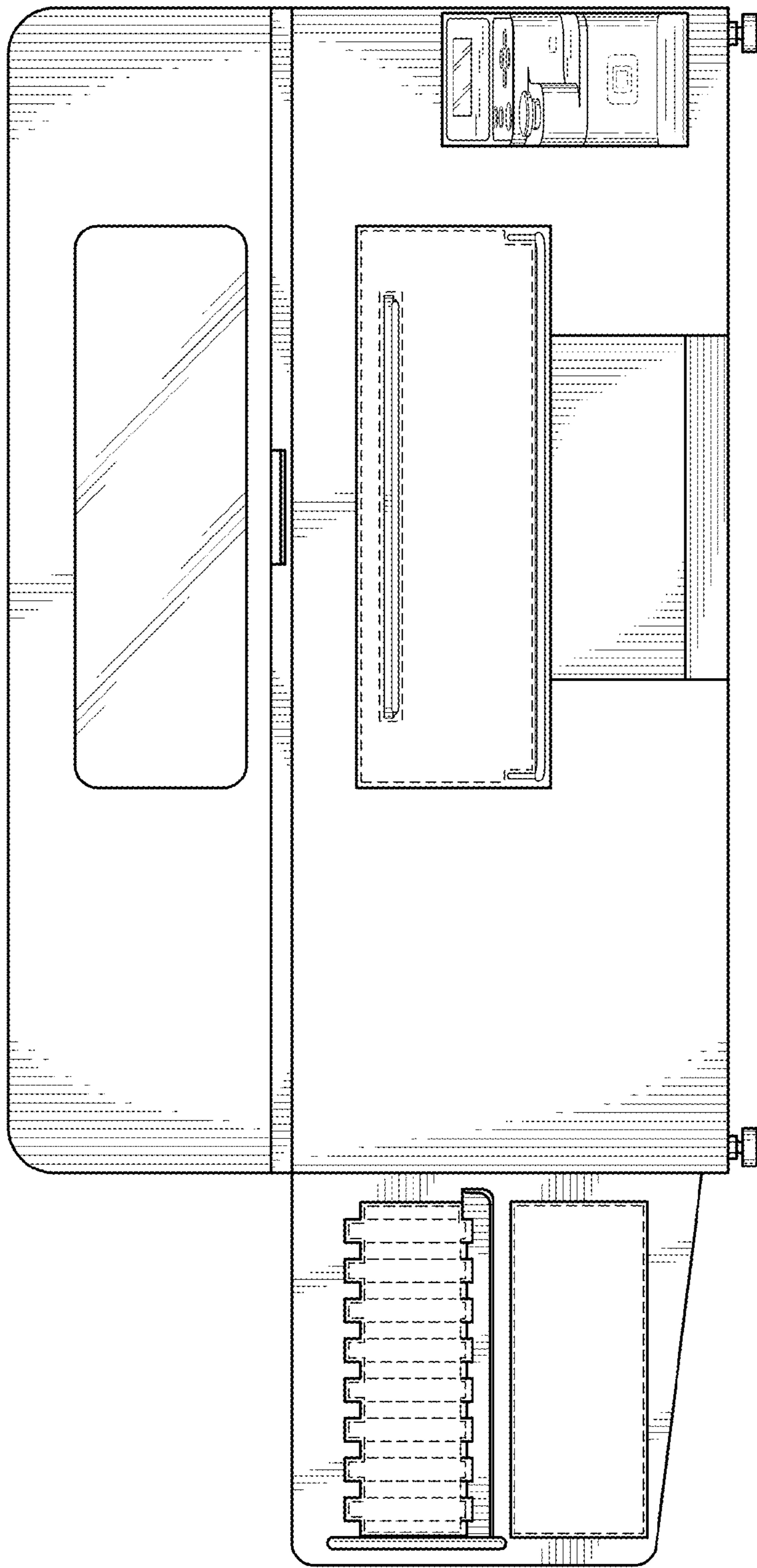


FIG. 2

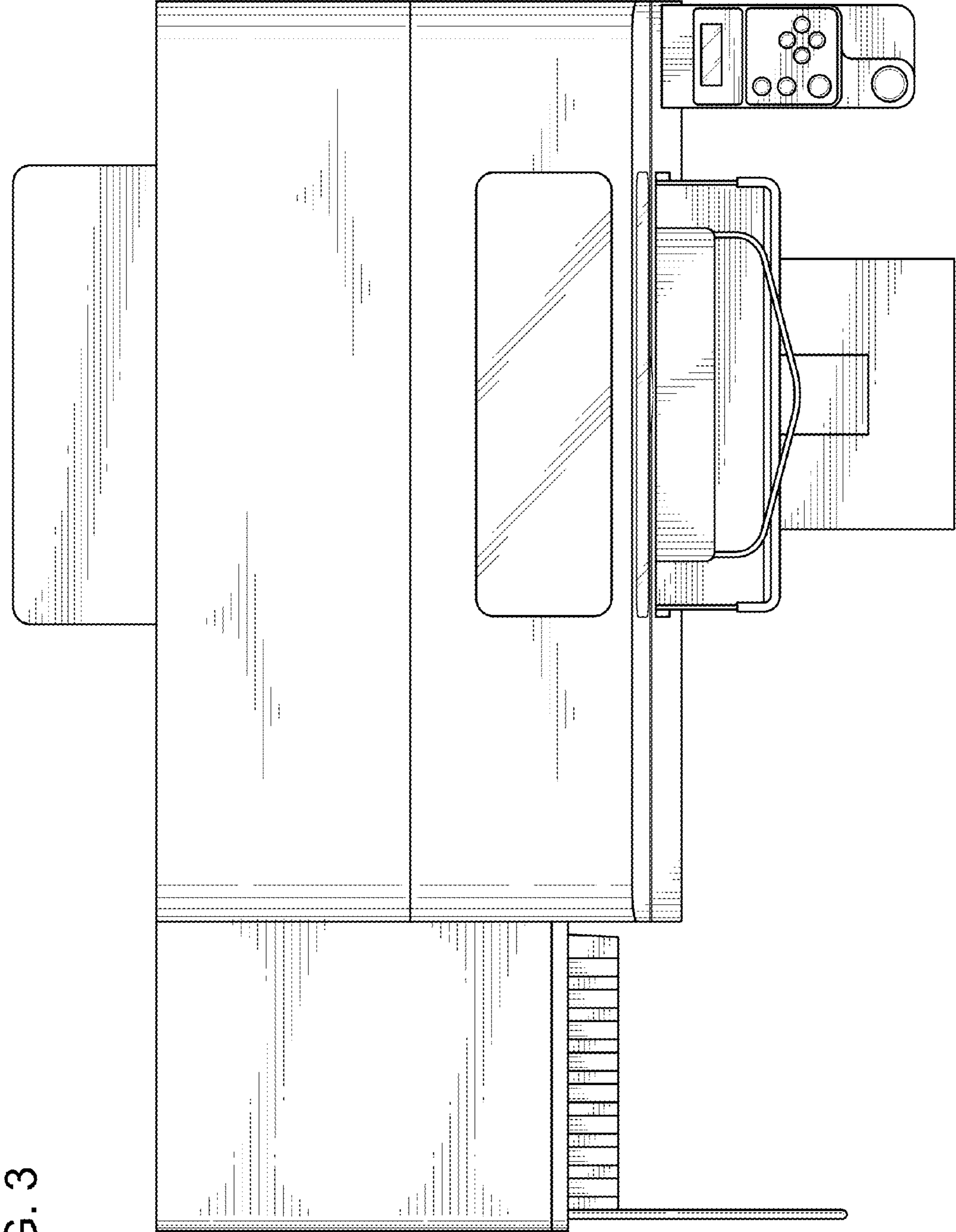


FIG. 3

FIG. 4

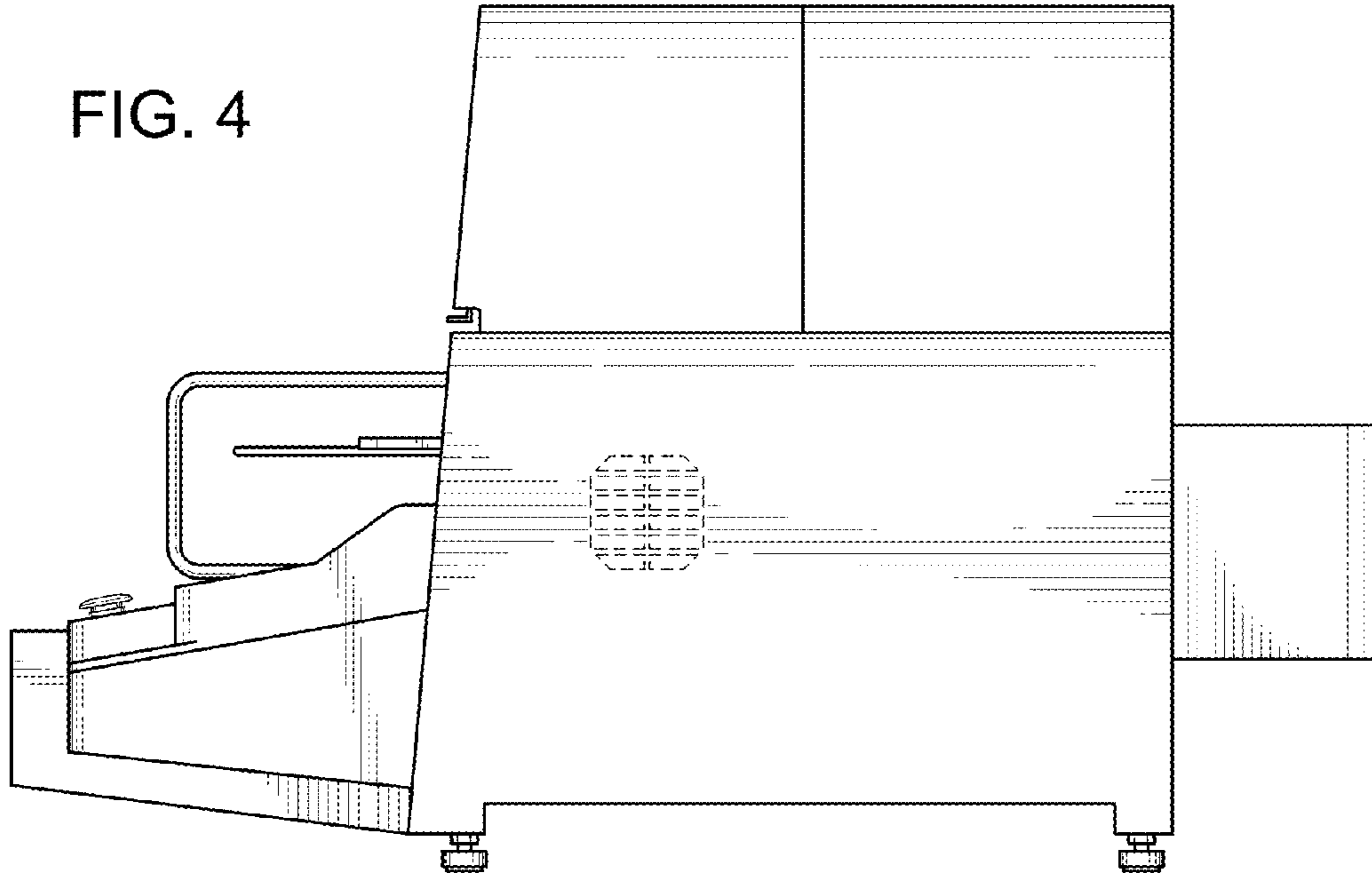
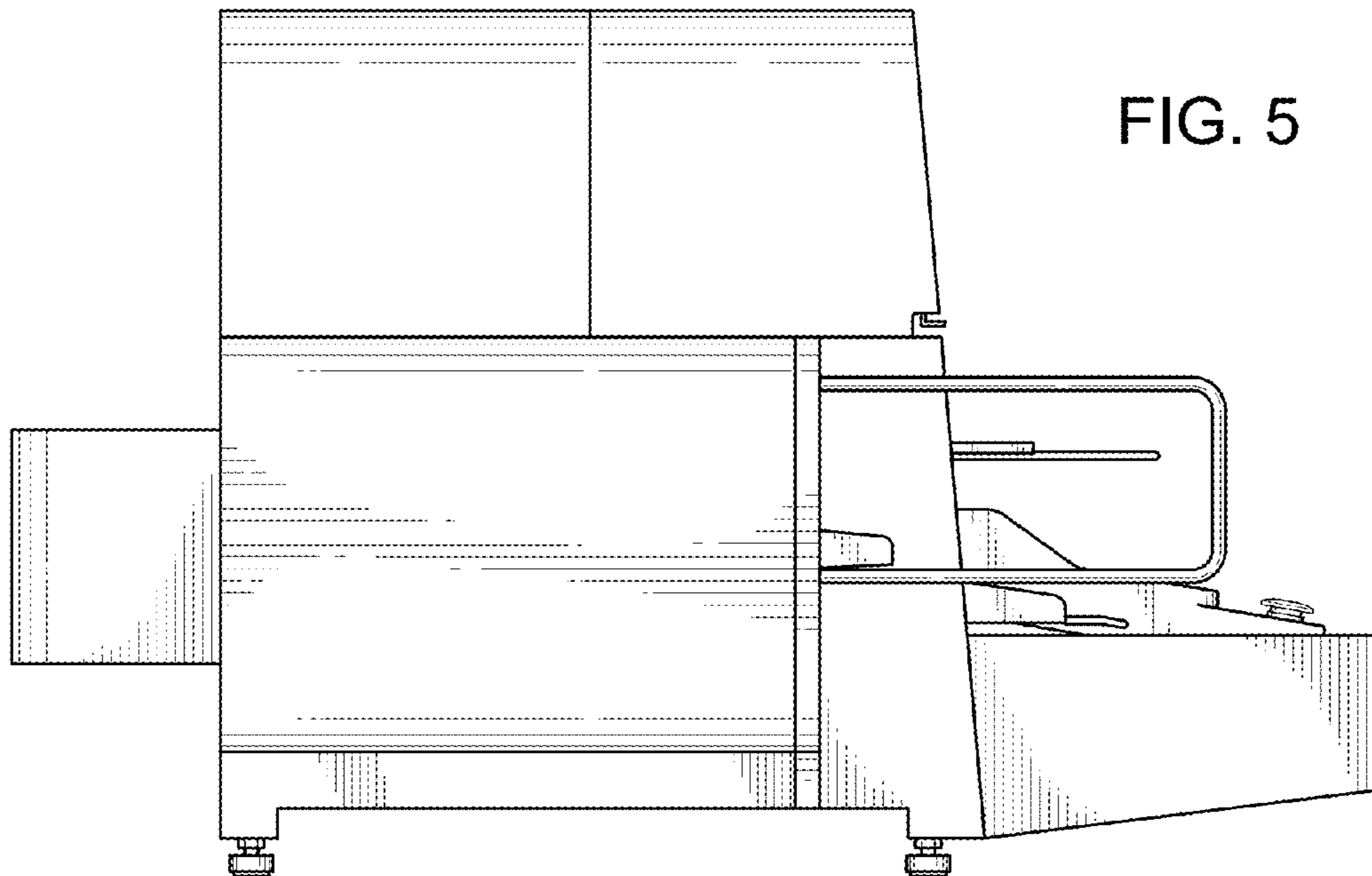


FIG. 5



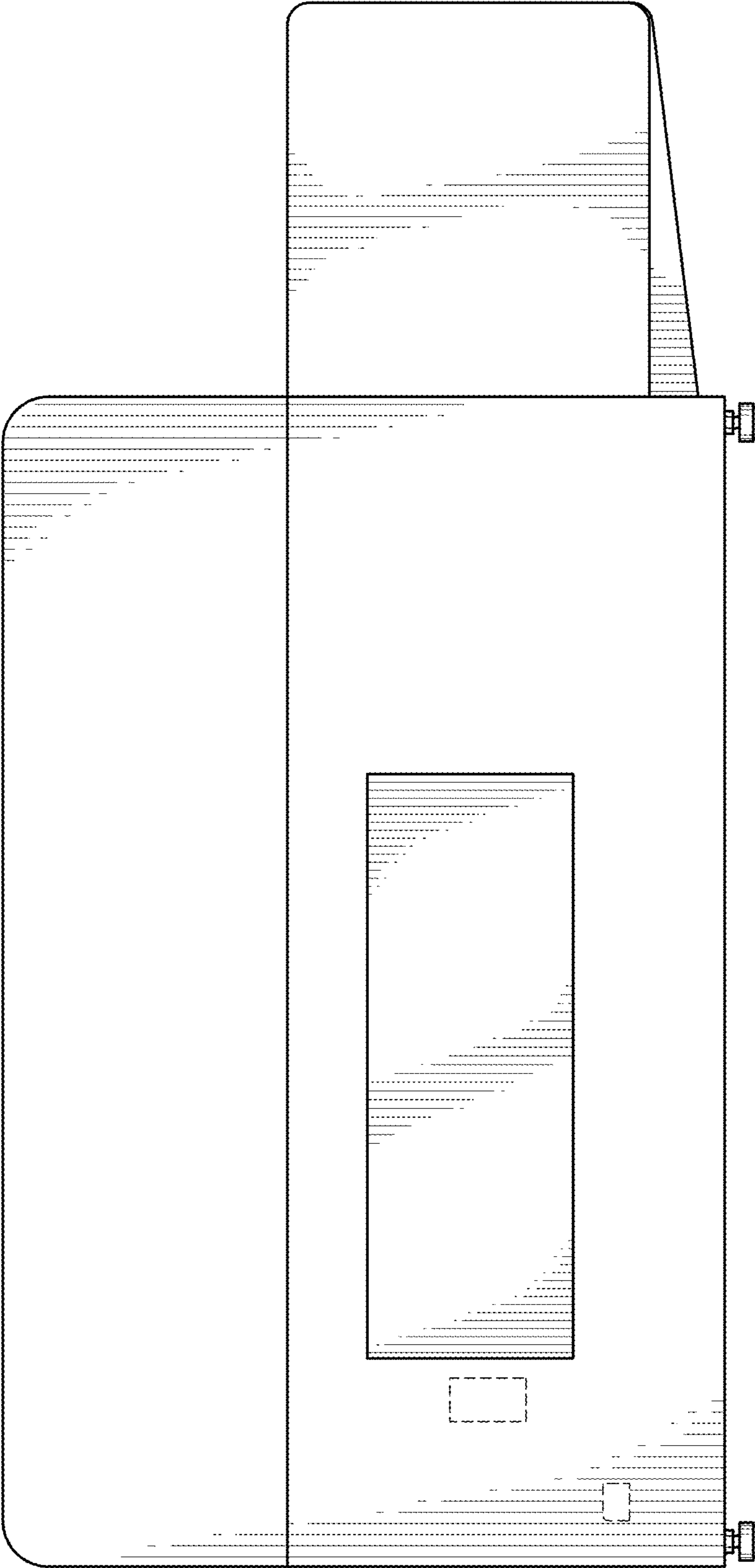


FIG. 6

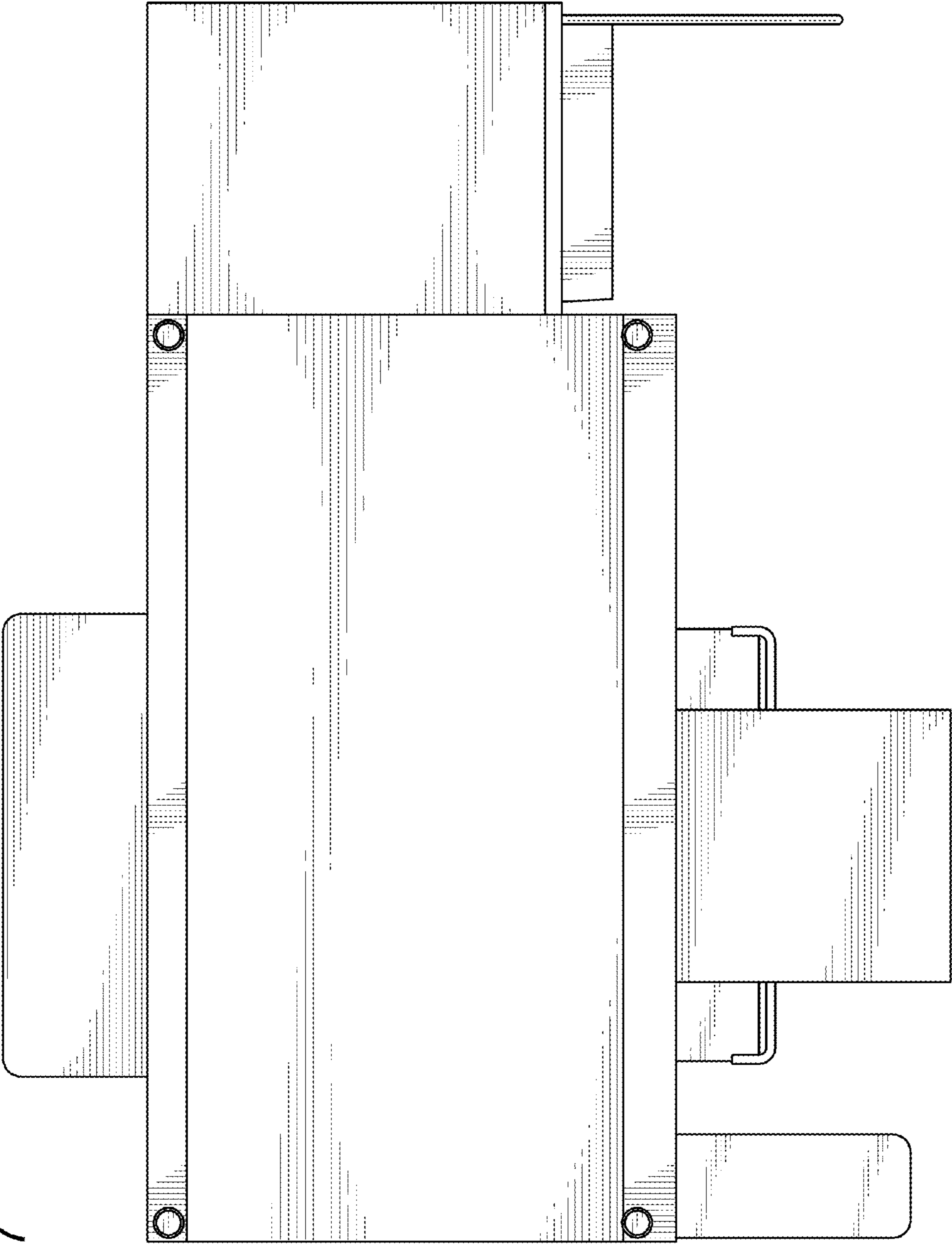


FIG. 7