



US00D680156S

(12) **United States Design Patent**  
**Hernandez et al.**

(10) **Patent No.:** **US D680,156 S**  
(45) **Date of Patent:** **\*\* Apr. 16, 2013**

(54) **CABINET AUTOMATED PAYMENT SYSTEM**

(75) Inventors: **Arturo Echanove Hernandez**, Mexico City (MX); **Hector Eduardo Muñoz Regalado**, Mexico City (MX)

(73) Assignee: **Arturo Echanove Hernandez** (MX)

(\*\*) Term: **14 Years**

(21) Appl. No.: **29/404,355**

(22) Filed: **Oct. 19, 2011**

(30) **Foreign Application Priority Data**

Apr. 19, 2011 (MX) ..... MX/f/2011/001213

(51) **LOC (9) Cl.** ..... **18-01**

(52) **U.S. Cl.**  
USPC ..... **D18/4.4**; D99/28

(58) **Field of Classification Search** ..... D14/336,  
D14/371-376, 387; D18/3.1-3.3, 4.1-4.6,  
D18/12.1-12.3; D21/324, 325, 332; D99/28,  
D99/34-36, 43; 235/1 E, 2, 7 R, 12, 22,  
235/33, 51, 52; 705/12, 15-18, 43  
See application file for complete search history.

(56) **References Cited**

**U.S. PATENT DOCUMENTS**

3,318,428	A	5/1967	Klein	
D261,434	S	10/1981	Sugano	
D276,538	S	11/1984	Nishida	
D293,150	S	* 12/1987	Prinzhorn	..... D99/28
D319,264	S	8/1991	Schafer	
D369,622	S	5/1996	Fontaine	
D382,908	S	* 8/1997	Dallman	..... D99/28
D388,229	S	12/1997	Couch	
D412,233	S	7/1999	Cajacob et al.	
6,000,806	A	12/1999	Dallman	

D428,060	S	7/2000	Roberts et al.	
D436,999	S	1/2001	Cronley	
D449,726	S	10/2001	Lin	
D452,712	S	1/2002	Kim	
D455,536	S	4/2002	Lowe	
D456,587	S	* 4/2002	Kit et al.	..... D99/28
D471,192	S	3/2003	Lin et al.	
D492,080	S	* 6/2004	Magee et al.	..... D99/28
D499,077	S	11/2004	Kudou et al.	
D553,689	S	10/2007	Lebeau	
D555,524	S	11/2007	Jacobsen et al.	
D566,703	S	4/2008	Malone et al.	
D570,920	S	6/2008	Choi	
D574,377	S	8/2008	Derocher et al.	
D580,926	S	11/2008	McCarty et al.	
D600,285	S	9/2009	Derringer et al.	
D620,049	S	7/2010	Hultzman et al.	

\* cited by examiner

*Primary Examiner* — Garth Rademaker

(74) *Attorney, Agent, or Firm* — Brooks Kushman P.C.

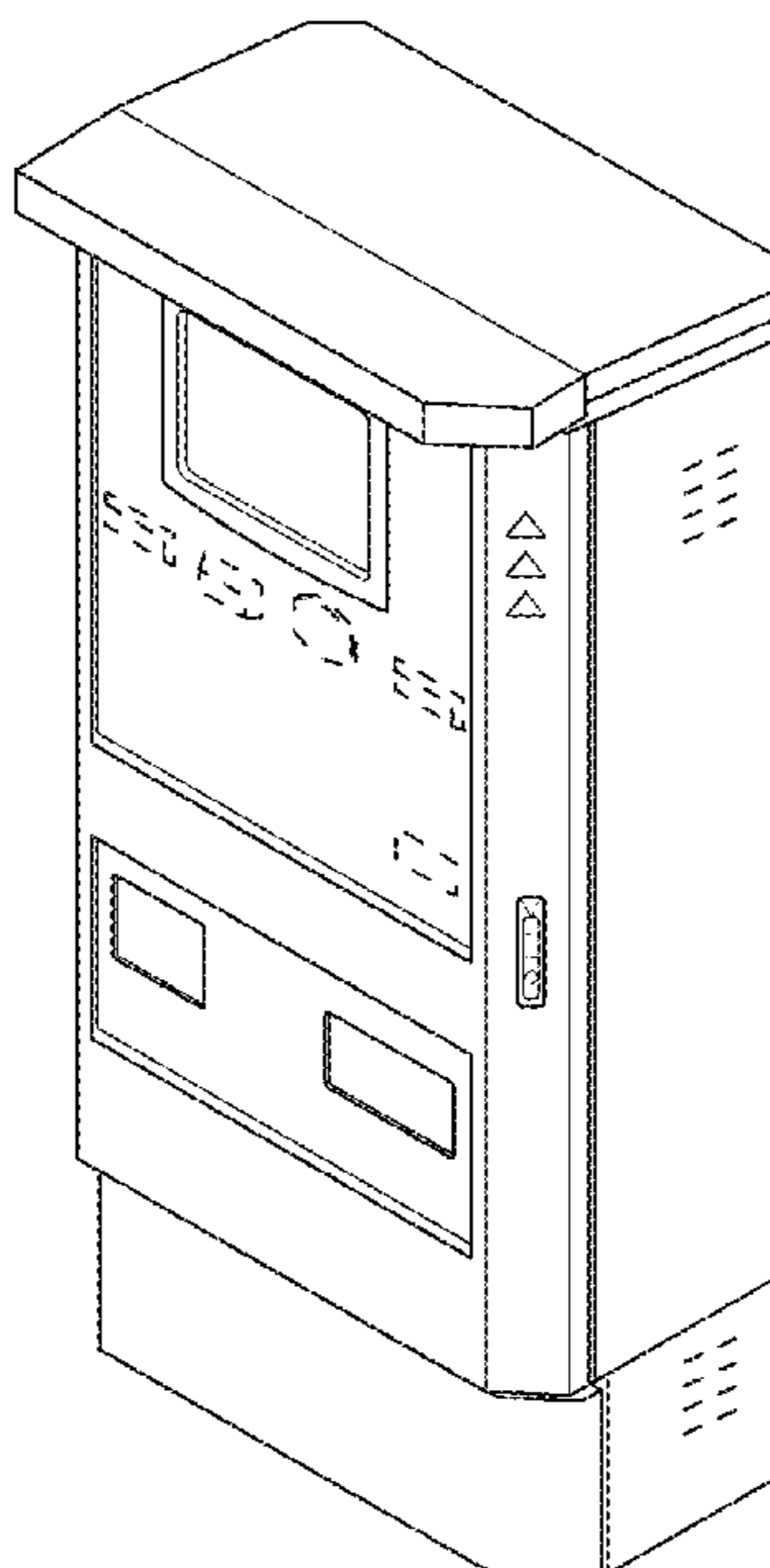
(57) **CLAIM**

The ornamental design for a cabinet automated payment system, as shown and described.

**DESCRIPTION**

FIG. 1 is a front elevational view of a cabinet automated payment system;  
FIG. 2 is a right side elevational view thereof;  
FIG. 3 is a rear elevational view thereof;  
FIG. 4 is a left side elevational view thereof;  
FIG. 5 is a top plan view thereof;  
FIG. 6 is a bottom plan view thereof;  
FIG. 7 is a left side perspective view thereof; and,  
FIG. 8 is a right side perspective view thereof.  
The broken lines depict portions of the cabinet automated payment system which form no part of the claimed design.

**1 Claim, 2 Drawing Sheets**



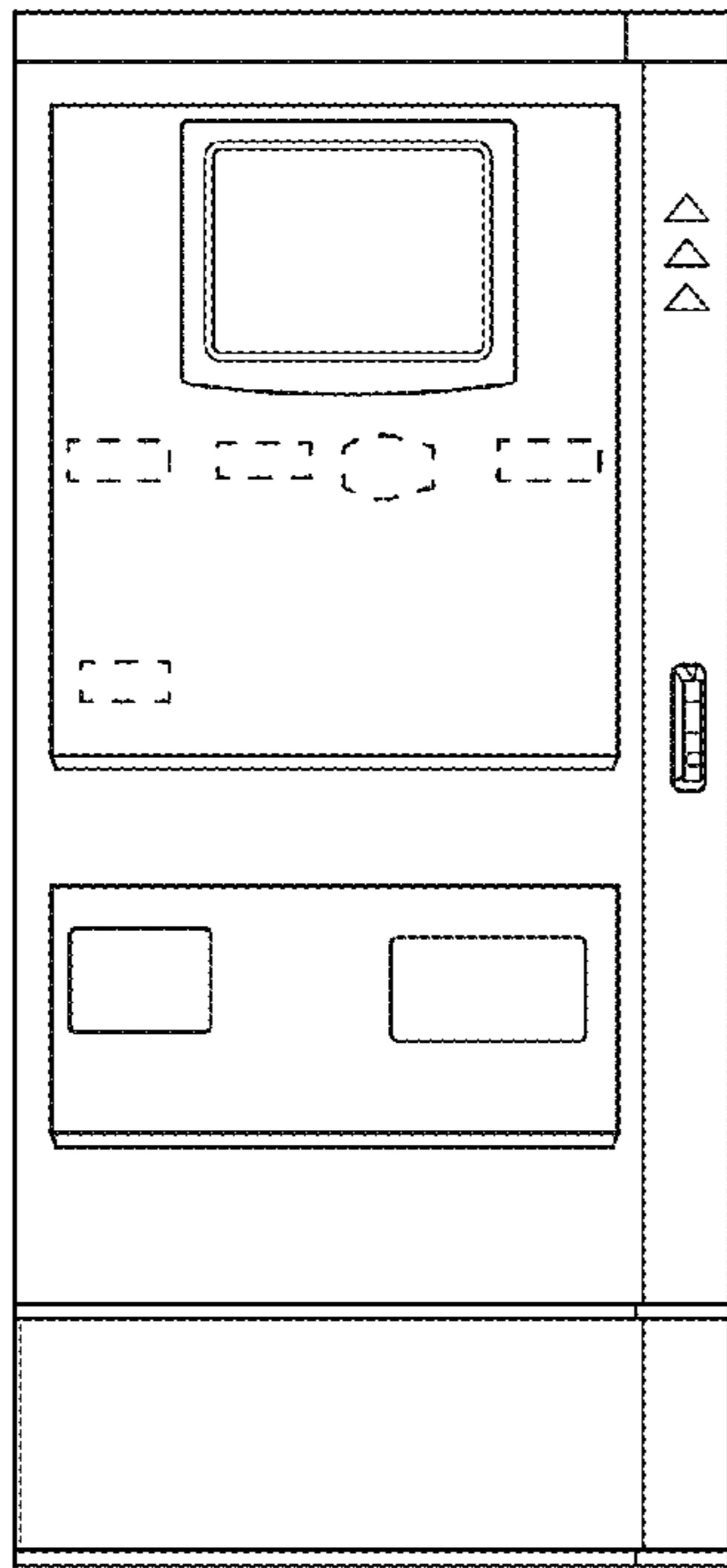


FIG. 1

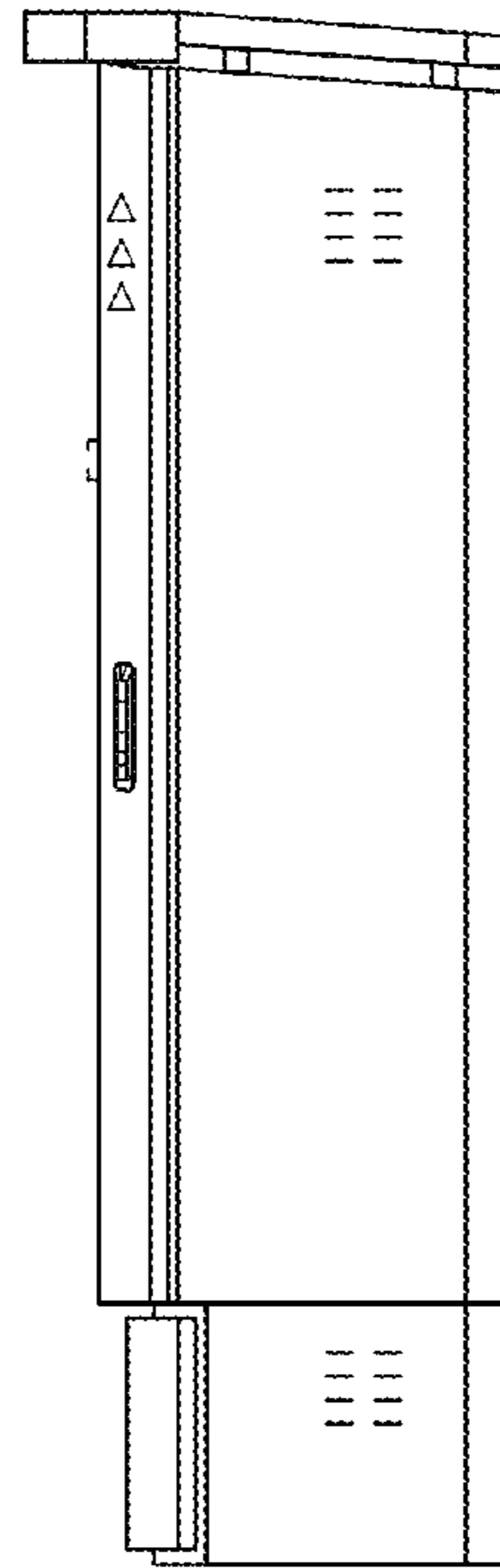


FIG. 2

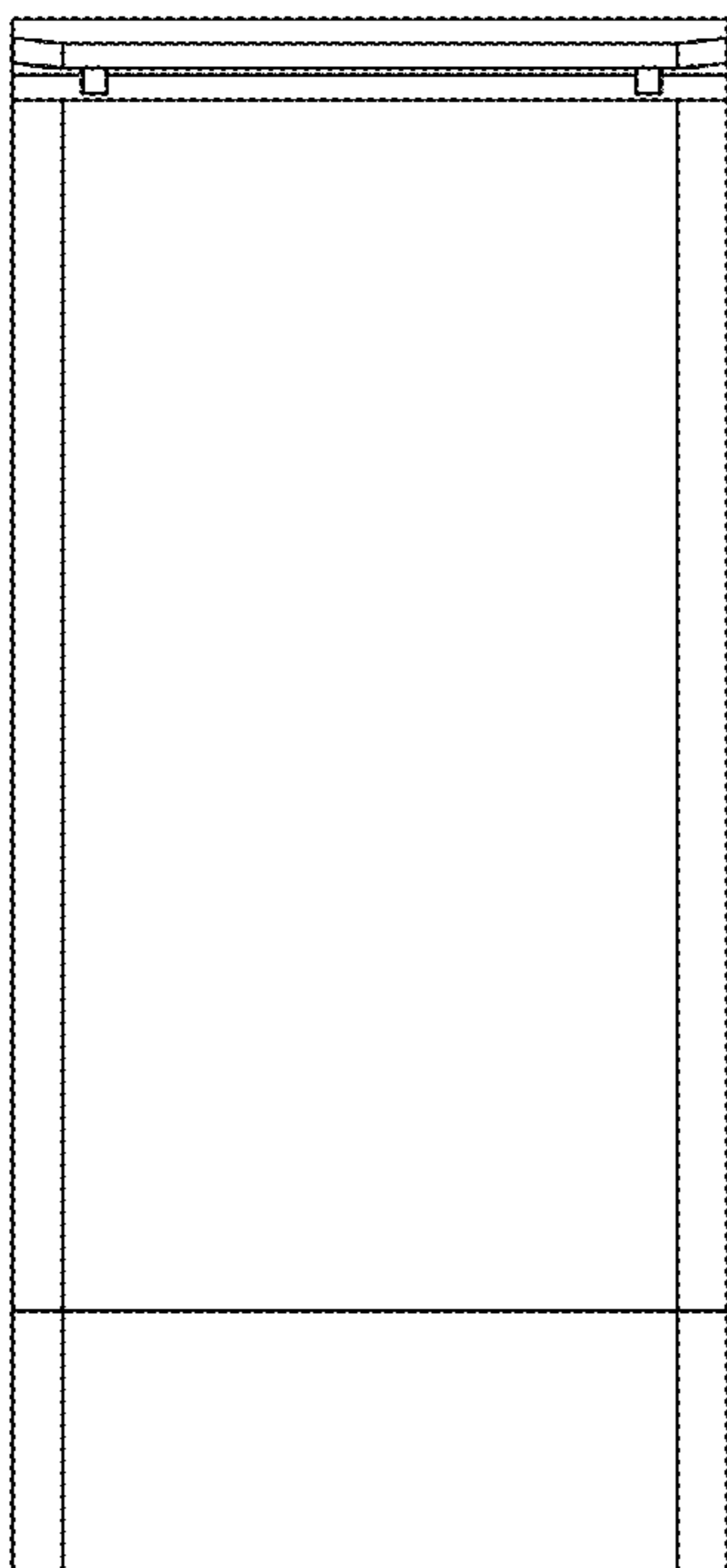


FIG. 3

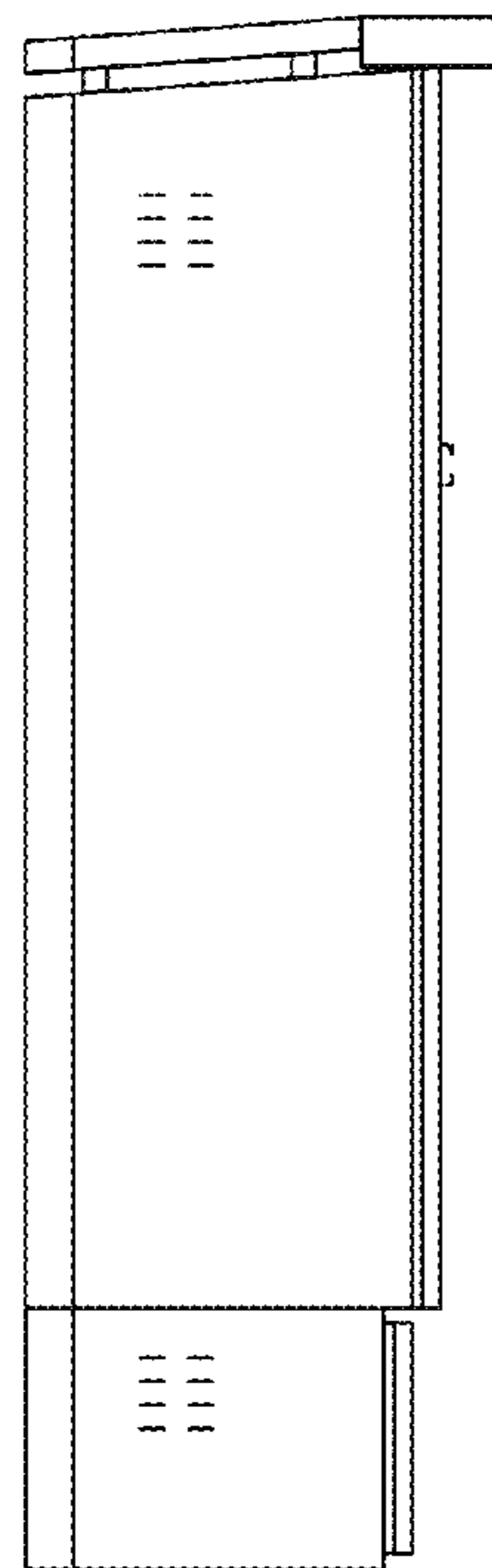


FIG. 4

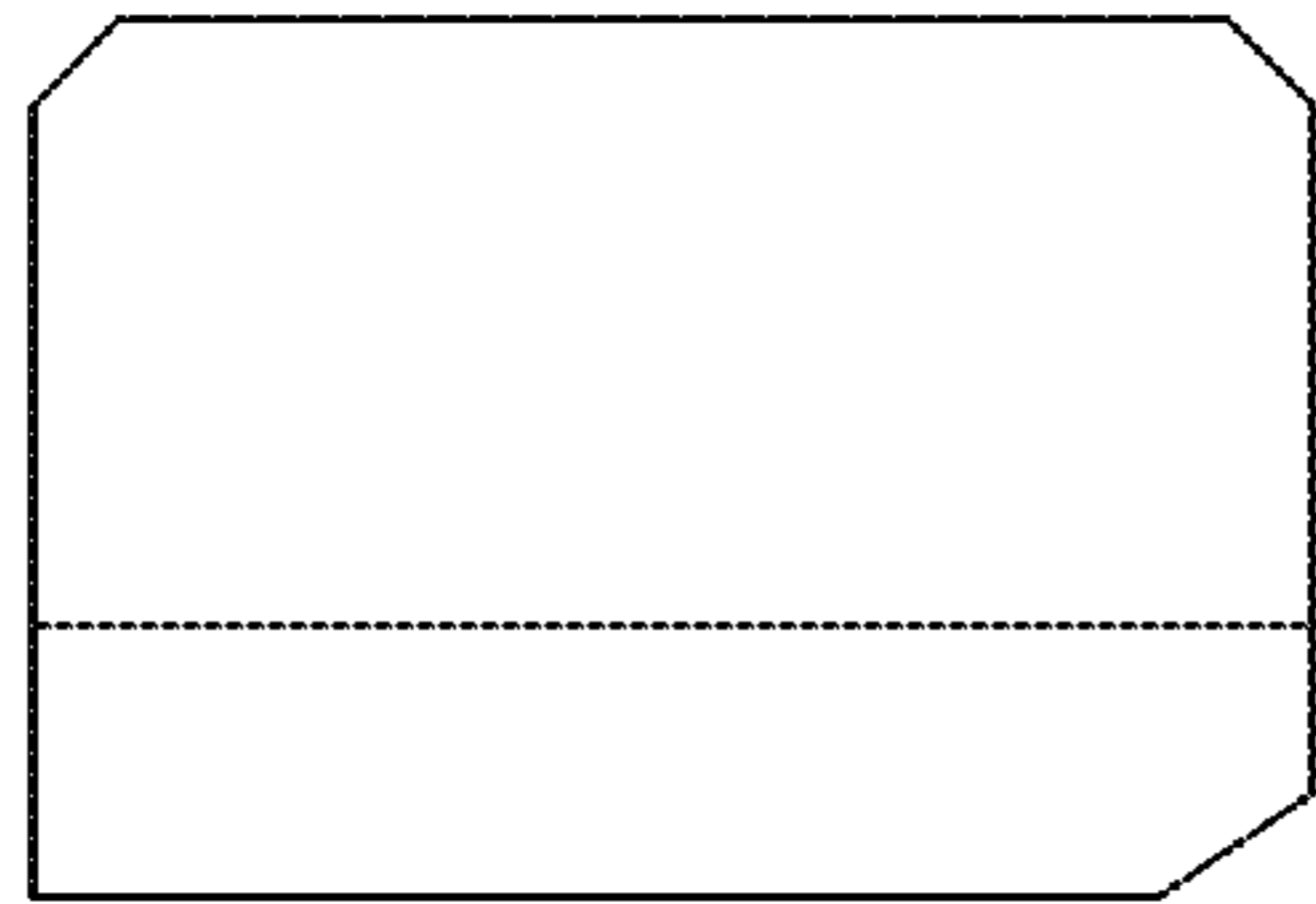


FIG. 5

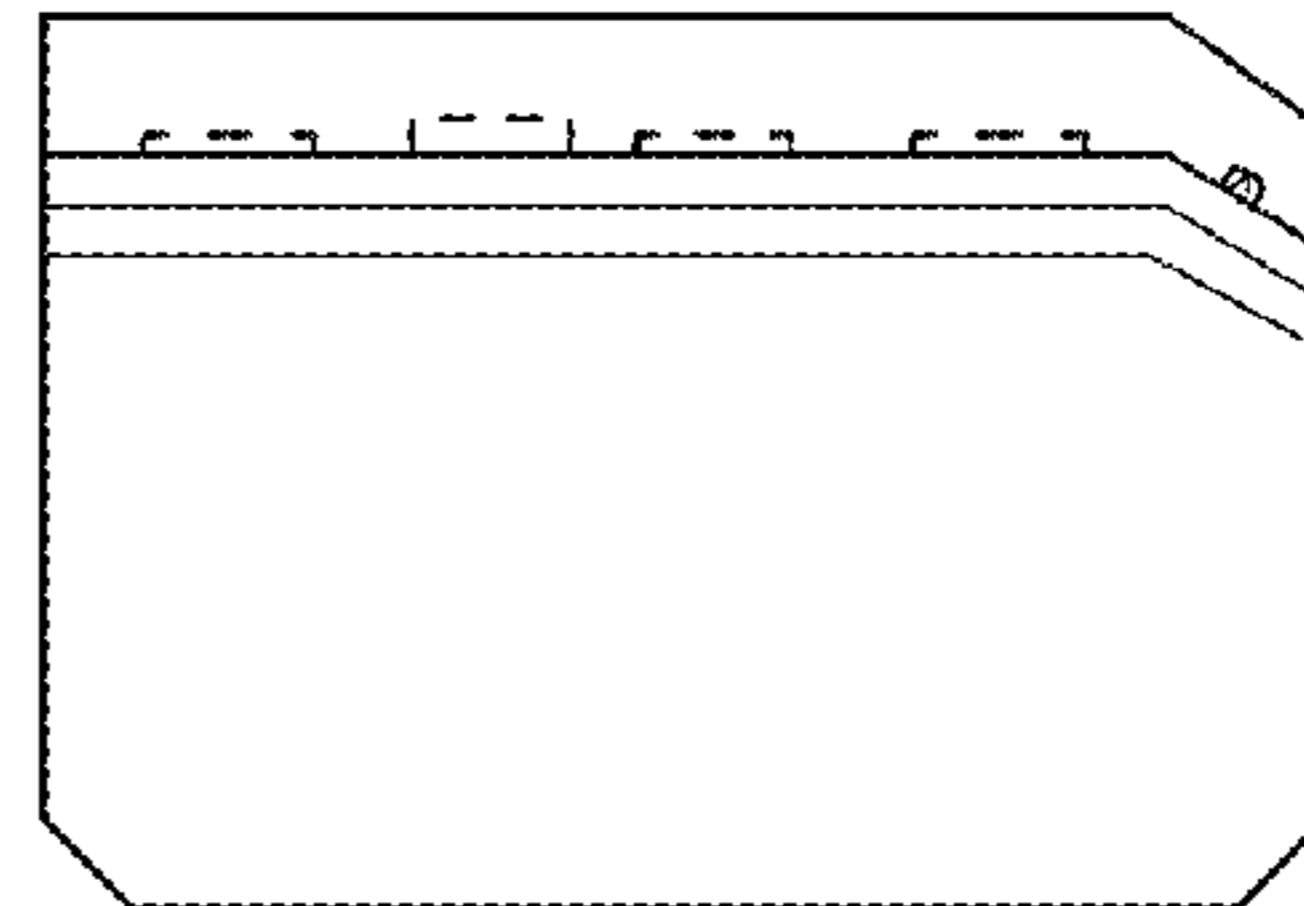


FIG. 6

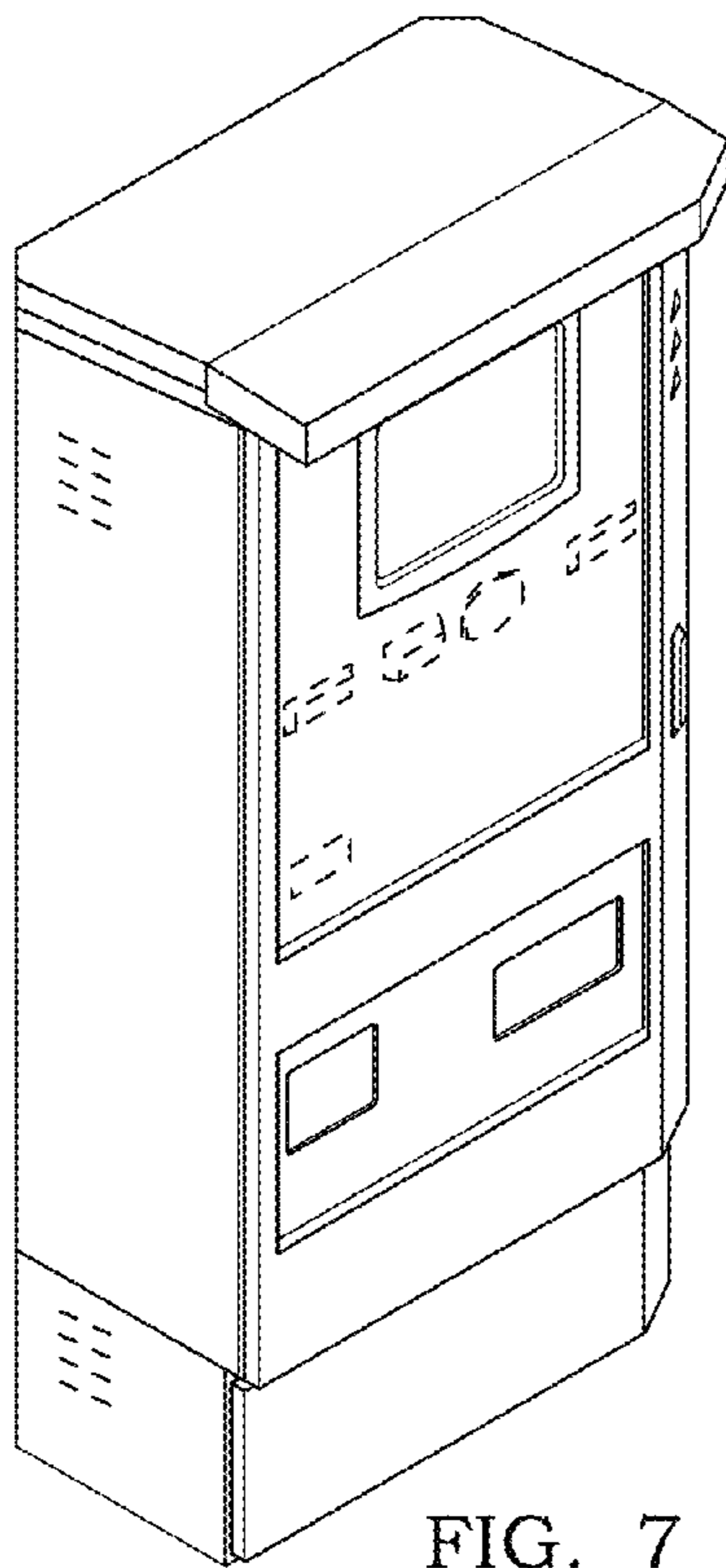


FIG. 7

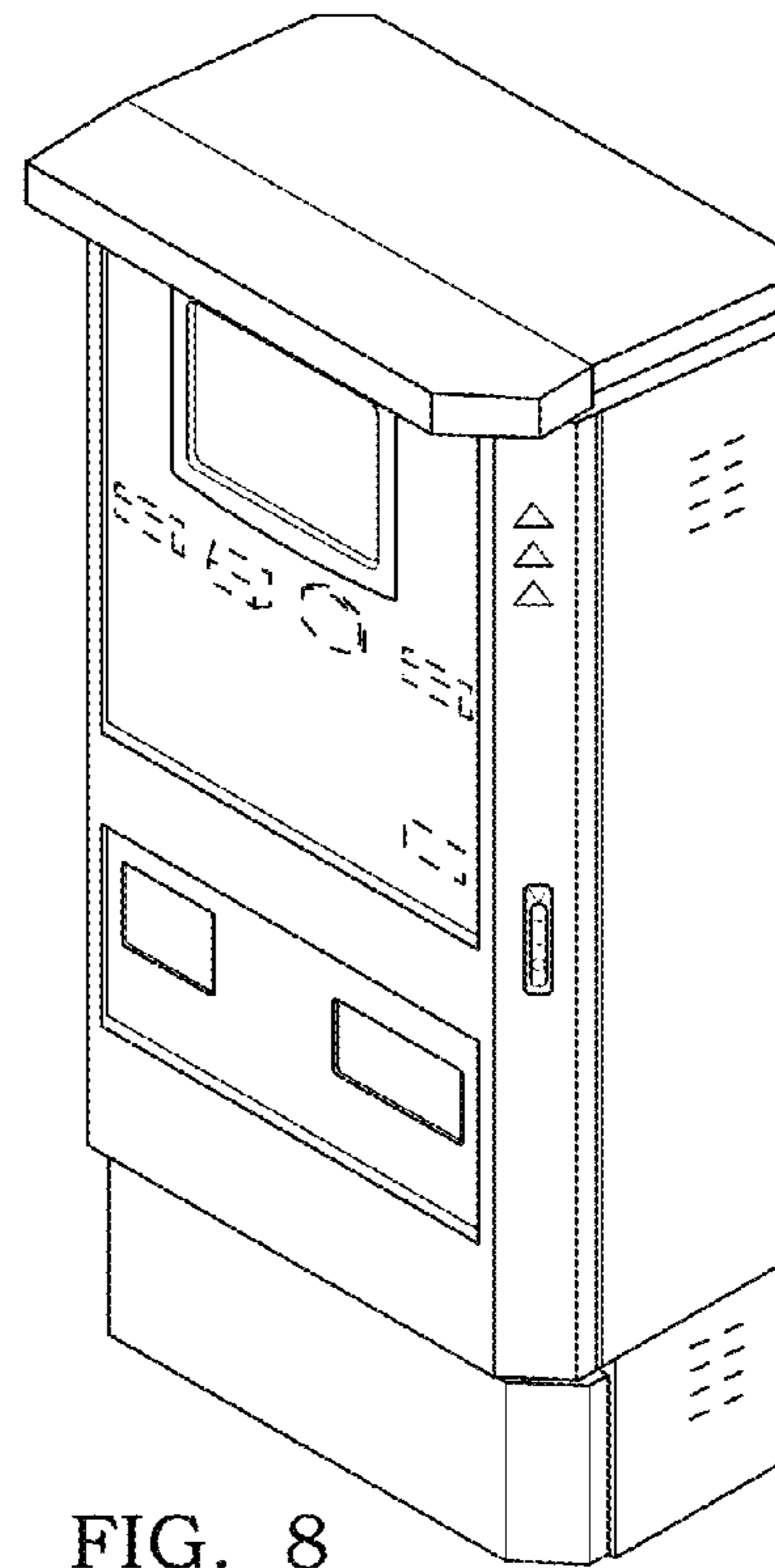


FIG. 8