



US00D680151S

(12) **United States Design Patent**
Katori

(10) **Patent No.:** **US D680,151 S**
(45) **Date of Patent:** **** Apr. 16, 2013**

(54) **NETWORK CAMERA**

(75) Inventor: **Takehito Katori**, Fukuoka (JP)

(73) Assignee: **Panasonic Corporation**, Osaka (JP)

(**) Term: **14 Years**

(21) Appl. No.: **29/416,769**

(22) Filed: **Mar. 27, 2012**

(30) **Foreign Application Priority Data**

Jan. 26, 2012 (JP) 2012-001438

(51) **LOC (9) Cl.** **16-05**

(52) **U.S. Cl.**
USPC **D16/242**

(58) **Field of Classification Search** D16/200,
D16/202, 203, 208, 218, 242; 348/373-376;
396/419, 427, 535-541

See application file for complete search history.

(56) **References Cited**

U.S. PATENT DOCUMENTS

4,236,795	A *	12/1980	Kephart	396/428
D283,031	S	3/1986	Sadre-Marandi et al.		
D290,706	S	7/1987	Peart et al.		
D295,415	S	4/1988	Thies et al.		
D357,694	S	4/1995	Kirkpatrick		
6,705,774	B2 *	3/2004	Tashiro et al.	396/427
6,762,790	B1 *	7/2004	Matko et al.	348/373
D550,739	S *	9/2007	Deng	D16/242
D559,850	S	1/2008	Lye		
D582,955	S *	12/2008	Sekine et al.	D16/218
D584,075	S	1/2009	Hung		

D593,566	S	6/2009	Richter		
D613,731	S	4/2010	Yeo		
D624,062	S	9/2010	Kasuga et al.		
D628,578	S	12/2010	Chou et al.		
D639,816	S	6/2011	Bau		
D640,247	S	6/2011	Baumann et al.		
D640,707	S	6/2011	Yeh		
D647,946	S	11/2011	Raken et al.		
D649,153	S	11/2011	Symons		
D649,573	S *	11/2011	Al	D16/202
D651,229	S	12/2011	Tan et al.		
D651,230	S	12/2011	Tan et al.		

* cited by examiner

Primary Examiner — Adir Aronovich

(74) *Attorney, Agent, or Firm* — Brinks Hofer Gilson & Lione

(57) **CLAIM**

I claim the ornamental design for a network camera, as shown and described.

DESCRIPTION

FIG. 1 is a front perspective view of a network camera of the present invention;

FIG. 2 is a rear perspective view thereof;

FIG. 3 is a front elevational view thereof;

FIG. 4 is a rear elevational view thereof;

FIG. 5 is a left side elevational view thereof;

FIG. 6 is a right side elevational view thereof;

FIG. 7 is a top plan view thereof; and,

FIG. 8 is a bottom plan view thereof.

The broken lines shown represent unclaimed subject matter and form no part of the claimed design.

1 Claim, 8 Drawing Sheets

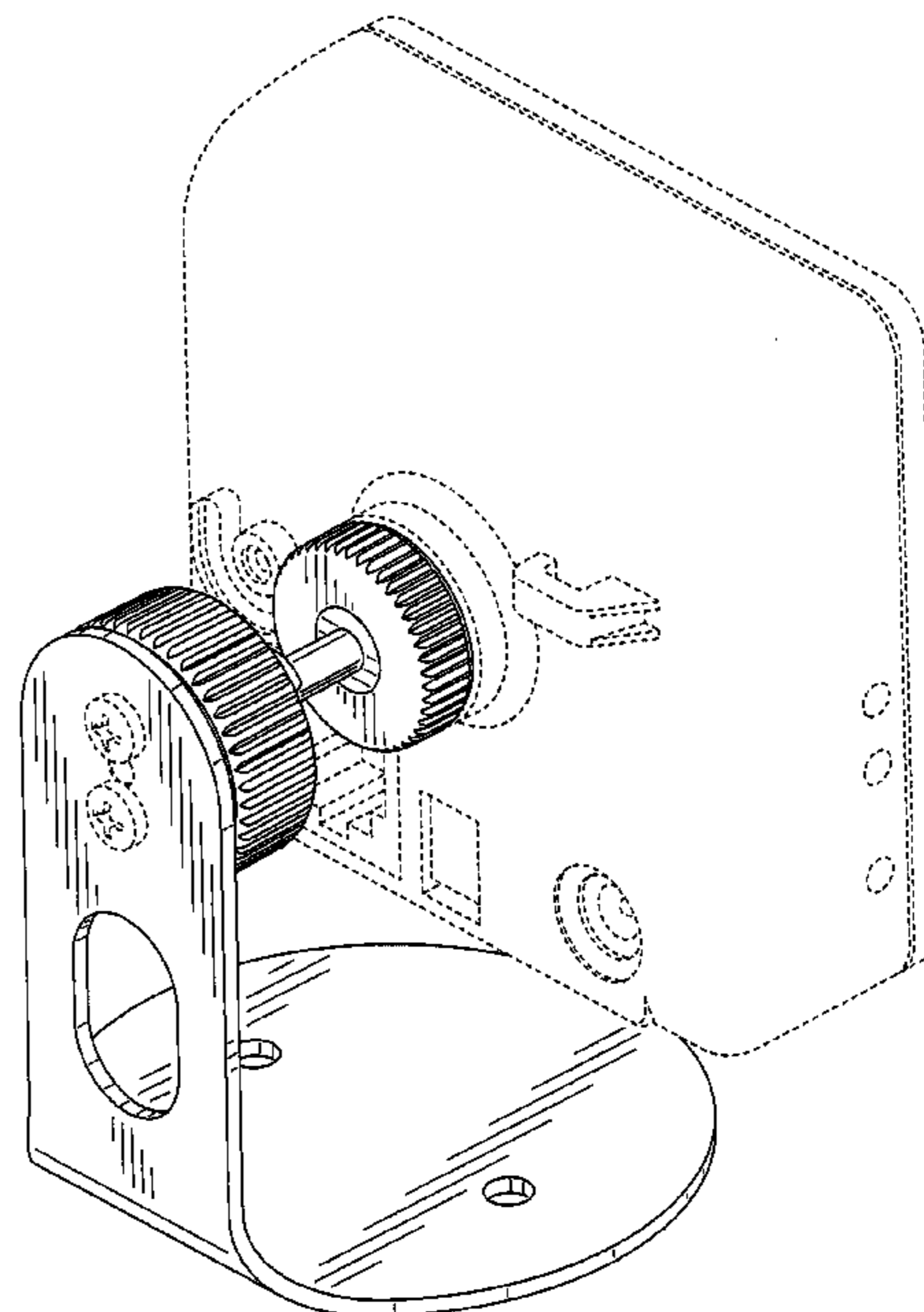
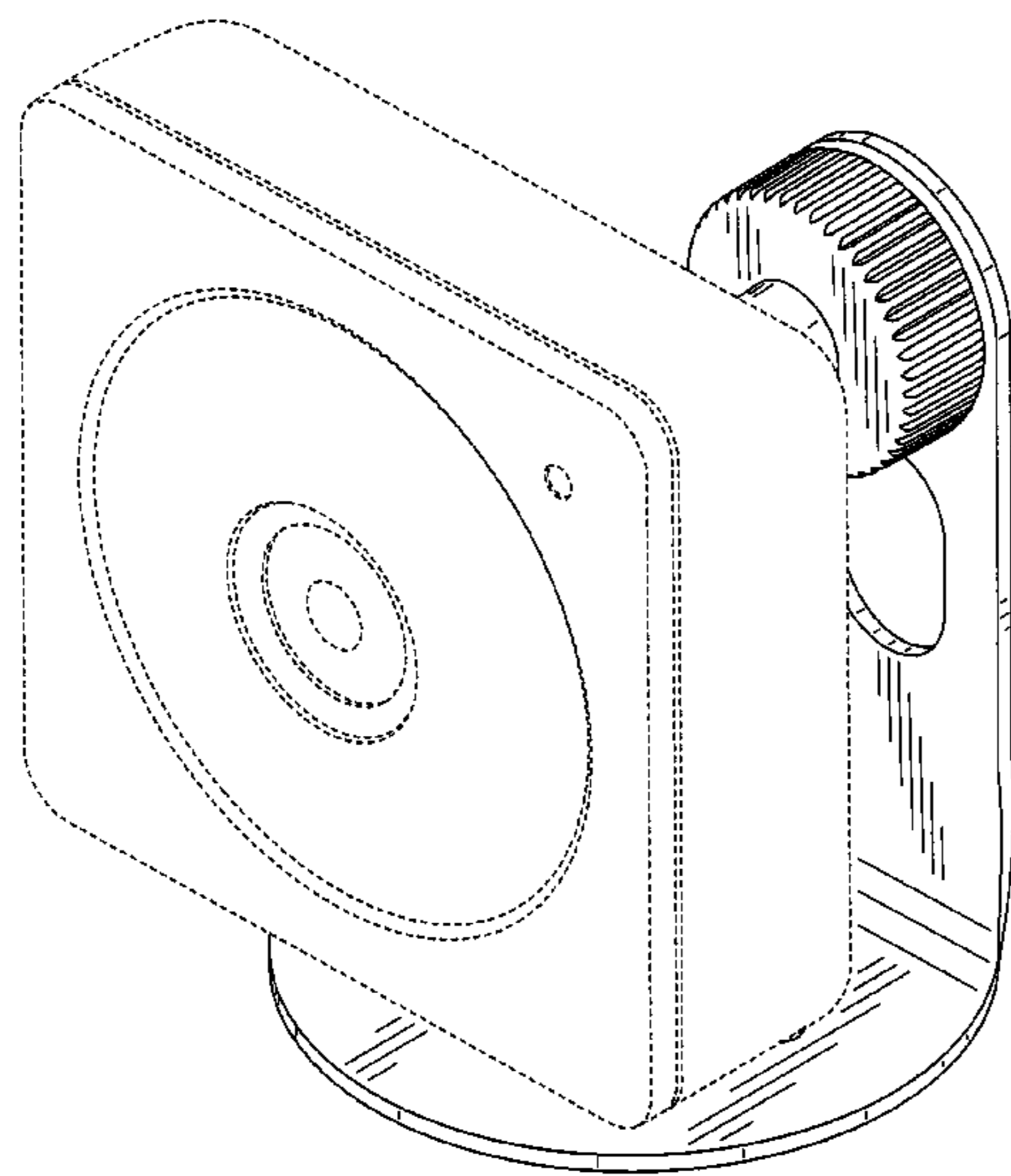


FIG. 1

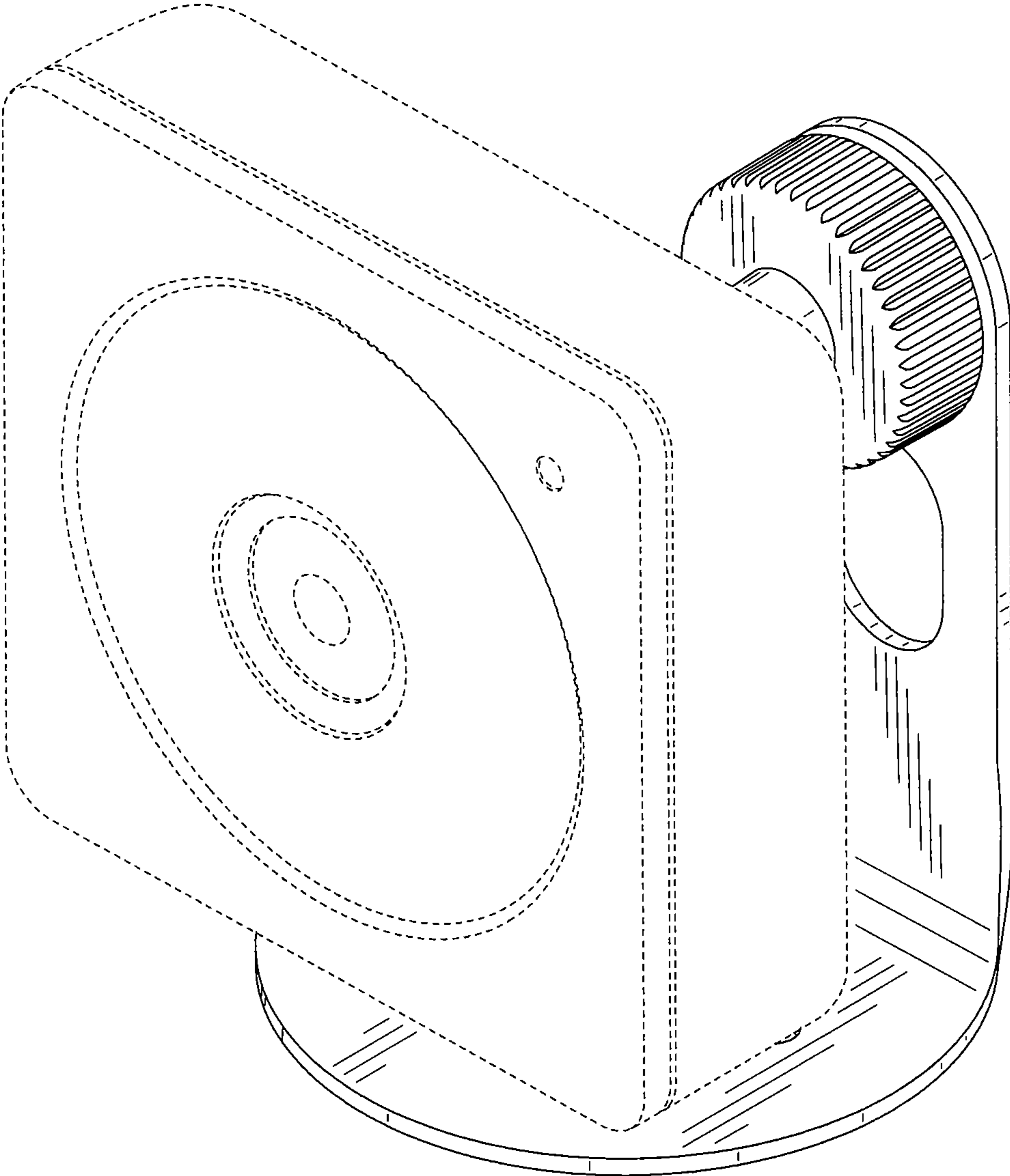


FIG. 2

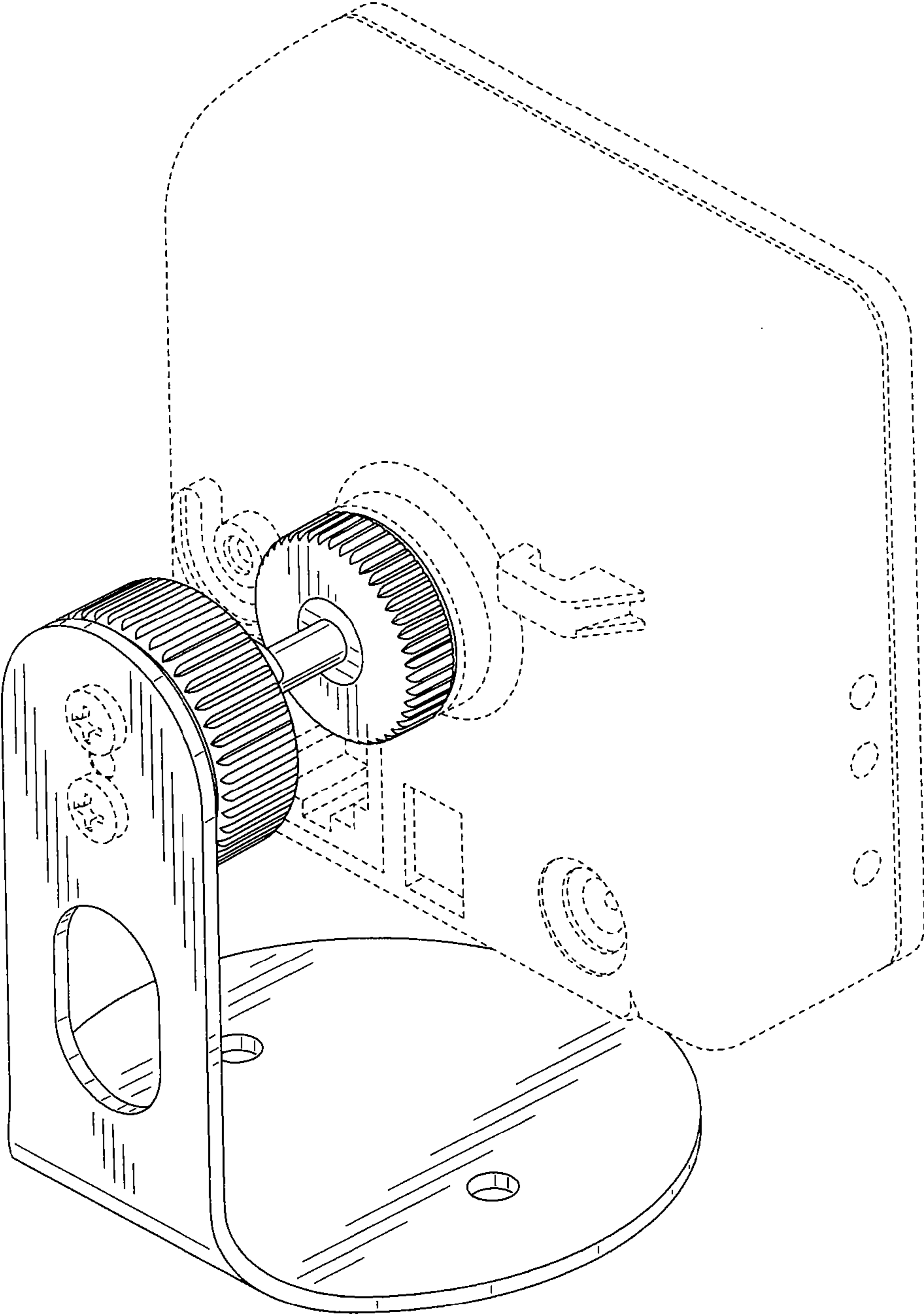


FIG. 3

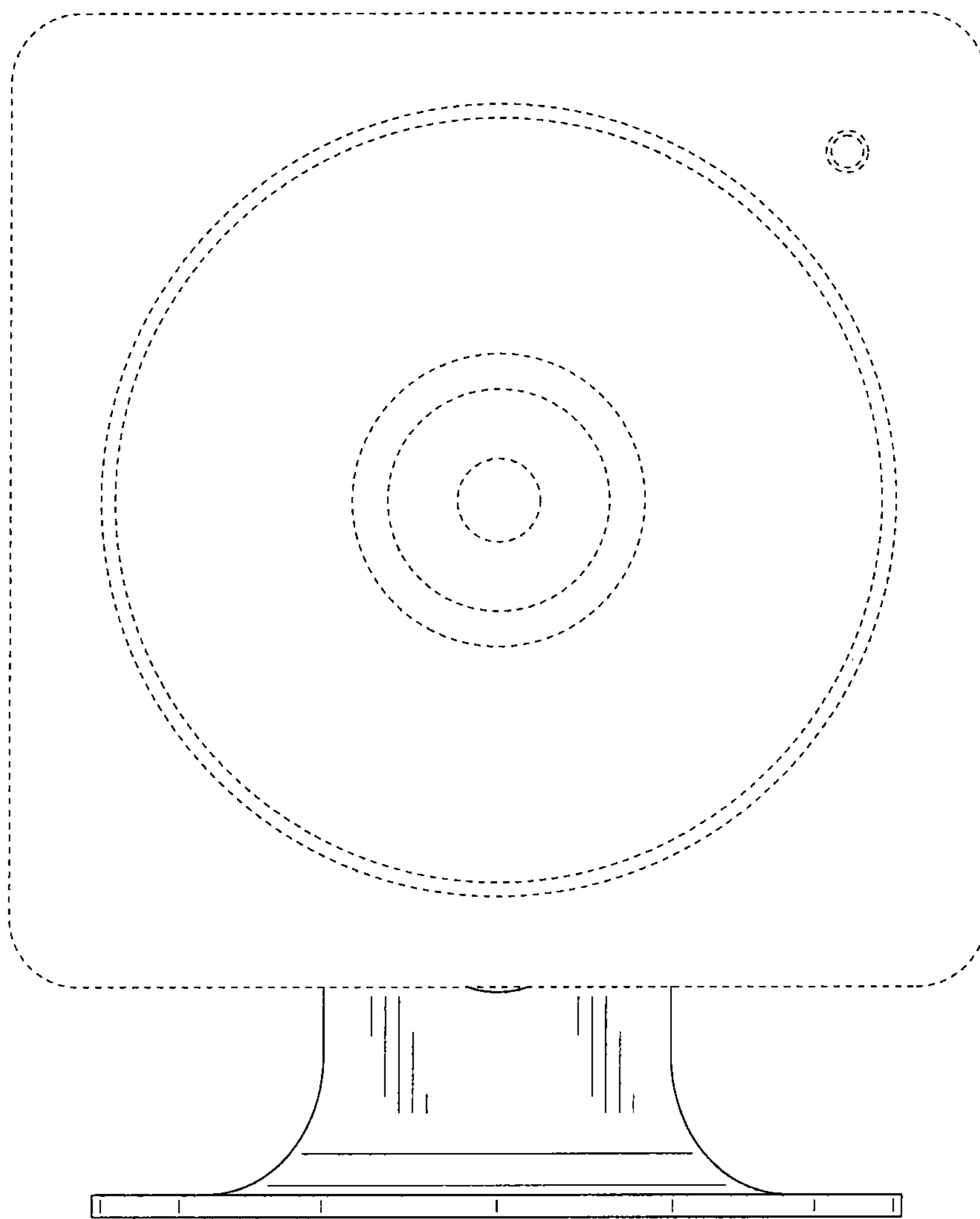


FIG. 4

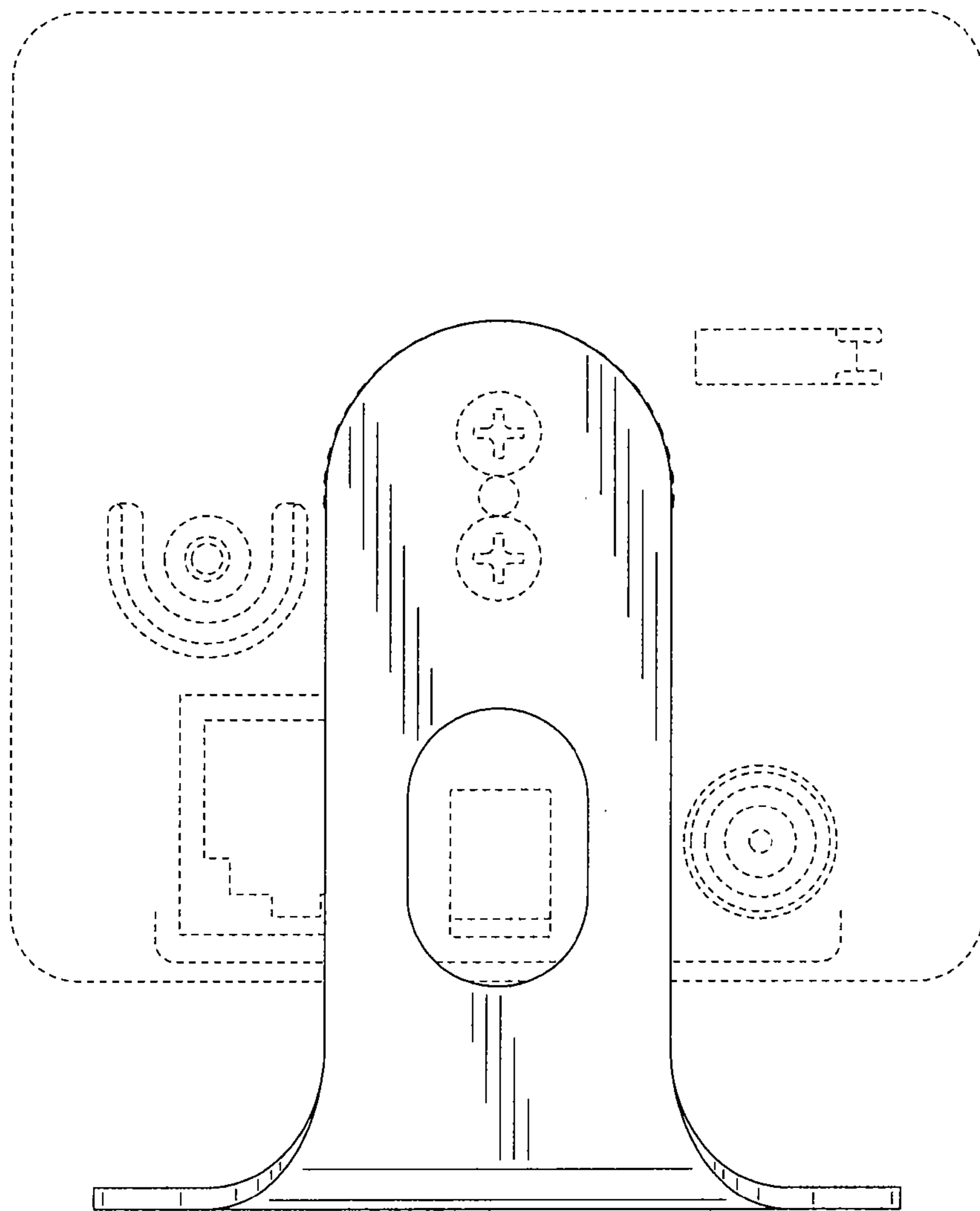


FIG. 5

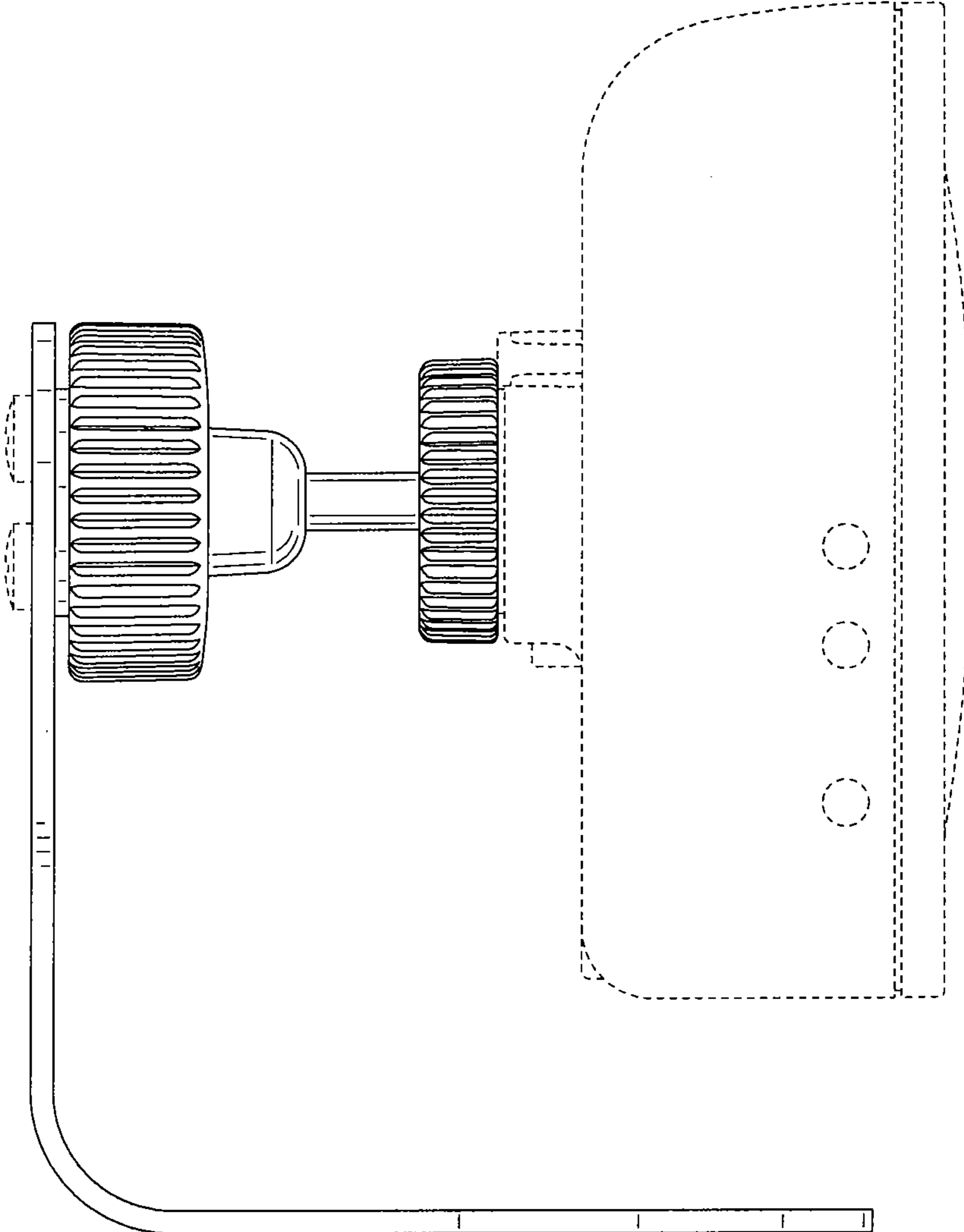


FIG. 6

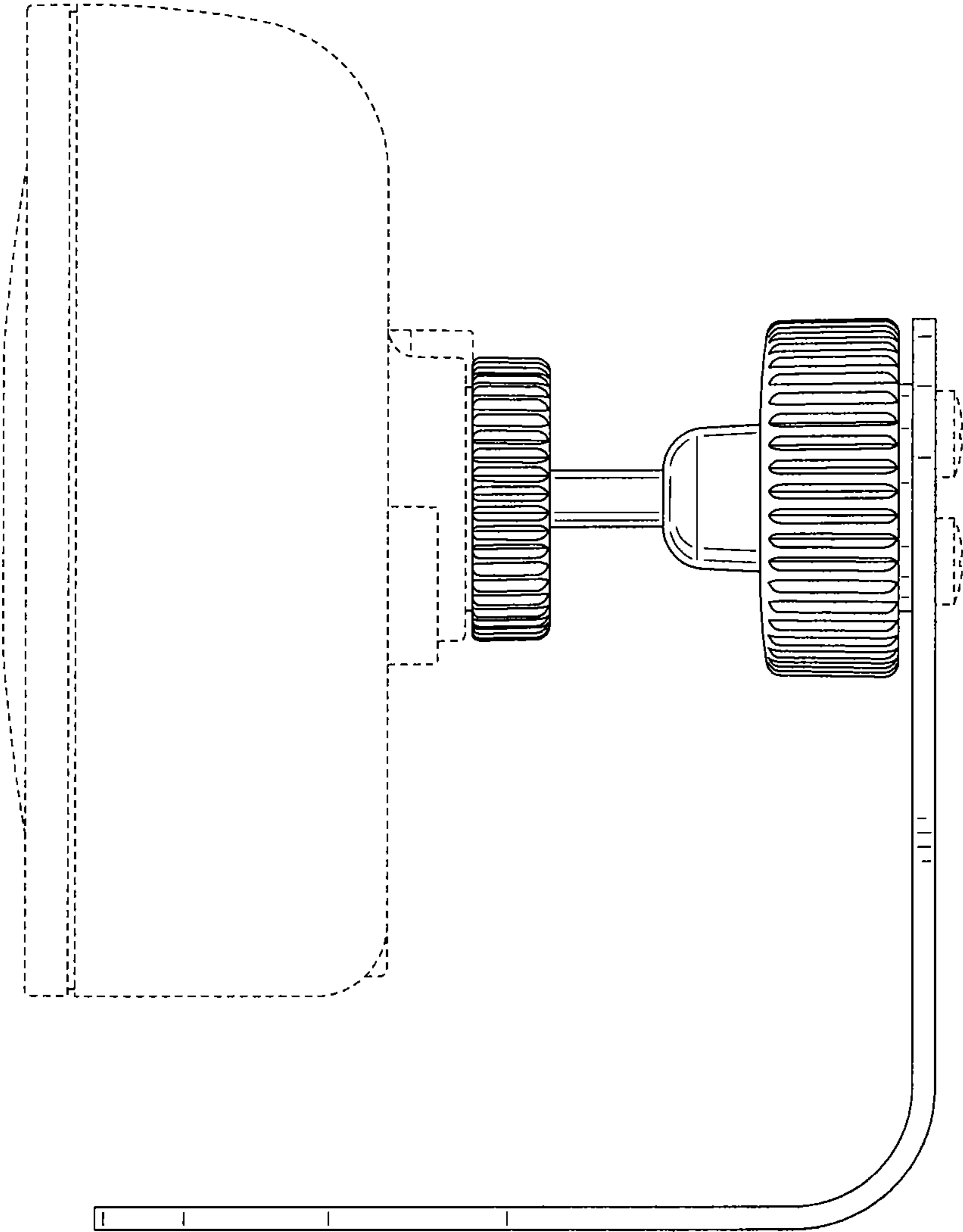


FIG. 7

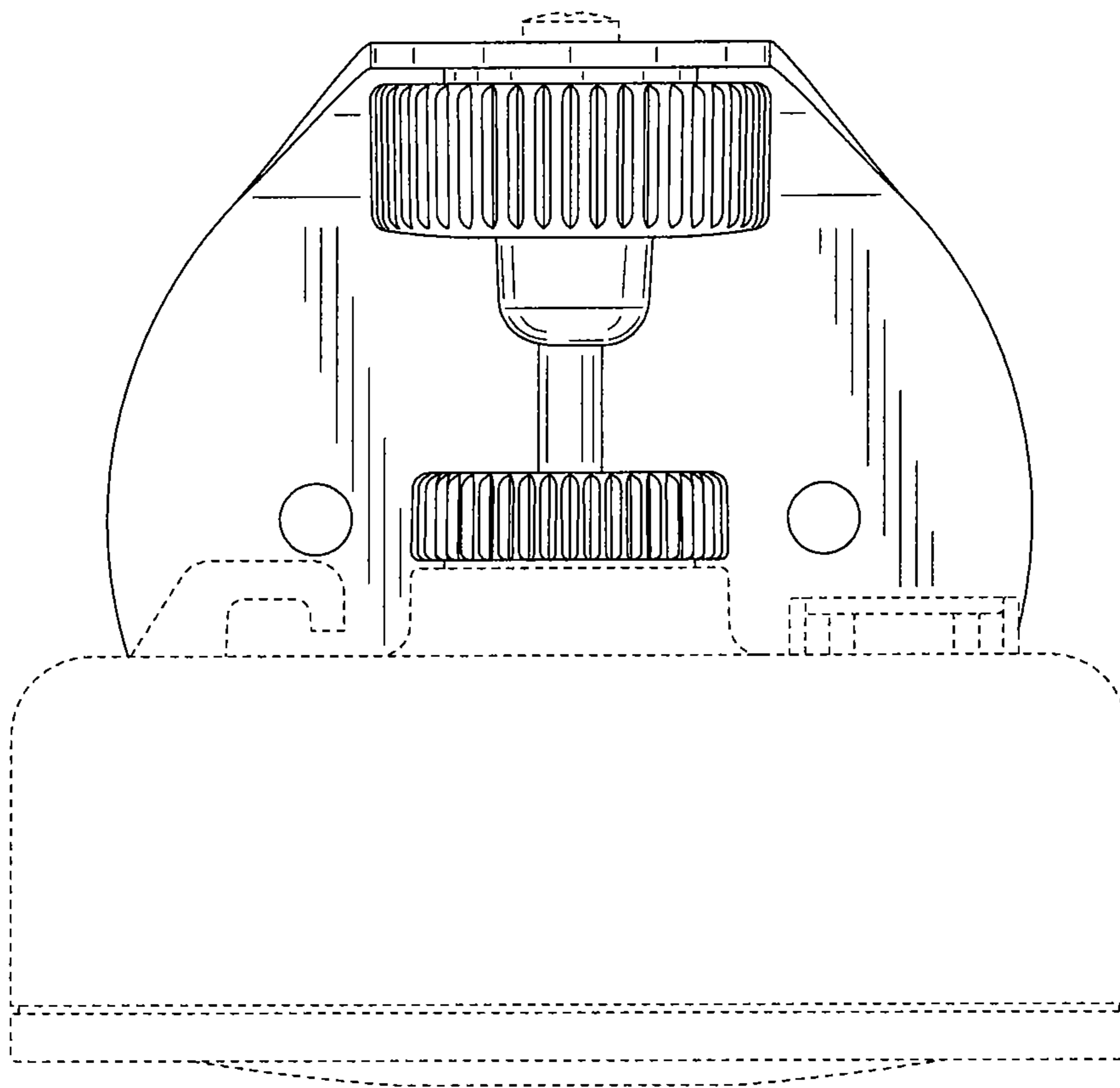


FIG. 8

