



US00D680150S

(12) **United States Design Patent**  
**Kawaguchi et al.**

(10) **Patent No.:** **US D680,150 S**  
(45) **Date of Patent:** **\*\* Apr. 16, 2013**

(54) **PROJECTOR**

(75) Inventors: **Yuta Kawaguchi**, Funabashi (JP);  
**Atsushi Ishibashi**, Tokorozawa (JP);  
**Yoshihiro Iwama**, Kokubunji (JP);  
**Seiichi Sekiguchi**, Fujisawa (JP)

(73) Assignee: **Hitachi Consumer Electronics Co., Ltd.**, Tokyo (JP)

(\*\*) Term: **14 Years**

(21) Appl. No.: **29/412,898**

(22) Filed: **Feb. 9, 2012**

(30) **Foreign Application Priority Data**

Sep. 28, 2011 (JP) ..... 2011-022095

(51) **LOC (9) Cl.** ..... **16-02**

(52) **U.S. Cl.**  
USPC ..... **D16/230; D16/225**

(58) **Field of Classification Search** ..... D16/205,  
D16/208, 221, 225, 230-231, 234; D21/514;  
353/52, 115, 119, 122

See application file for complete search history.

(56) **References Cited**

U.S. PATENT DOCUMENTS

D439,594	S	*	3/2001	Komatsu et al.	.....	D16/231
D451,941	S	*	12/2001	Takizawa	.....	D16/230
D542,828	S	*	5/2007	Tsukahara	.....	D16/230
D555,697	S	*	11/2007	Kawabe et al.	.....	D16/230
D565,629	S	*	4/2008	Morishita	.....	D16/230
7,850,309	B2	*	12/2010	Hirouchi et al.	.....	353/52
D667,480	S	*	9/2012	Yamada et al.	.....	D16/230
2011/0075117	A1	*	3/2011	Adachi et al.	.....	353/119

\* cited by examiner

*Primary Examiner* — Wan Laymon

(74) *Attorney, Agent, or Firm* — Antonelli, Terry, Stout & Kraus, LLP.

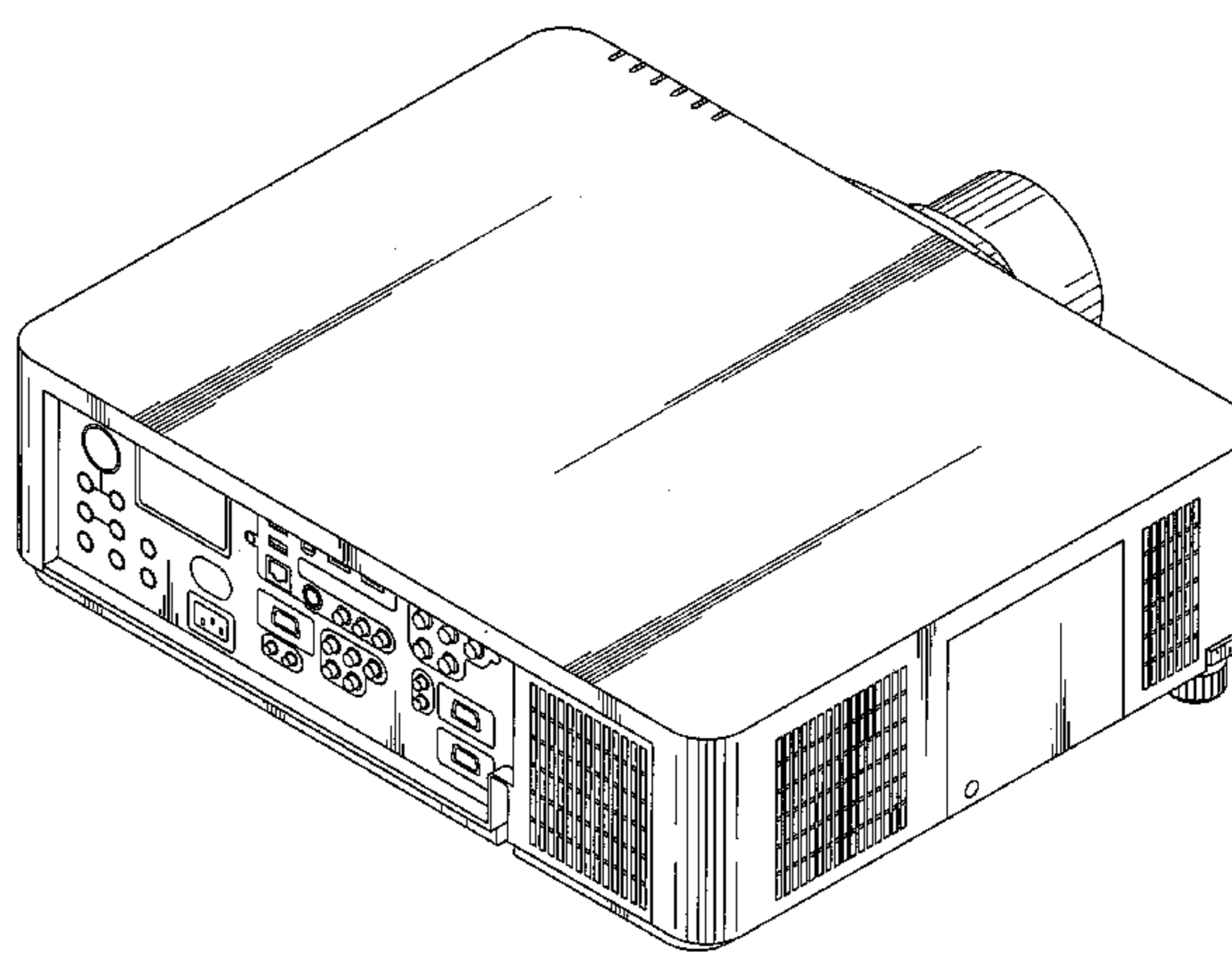
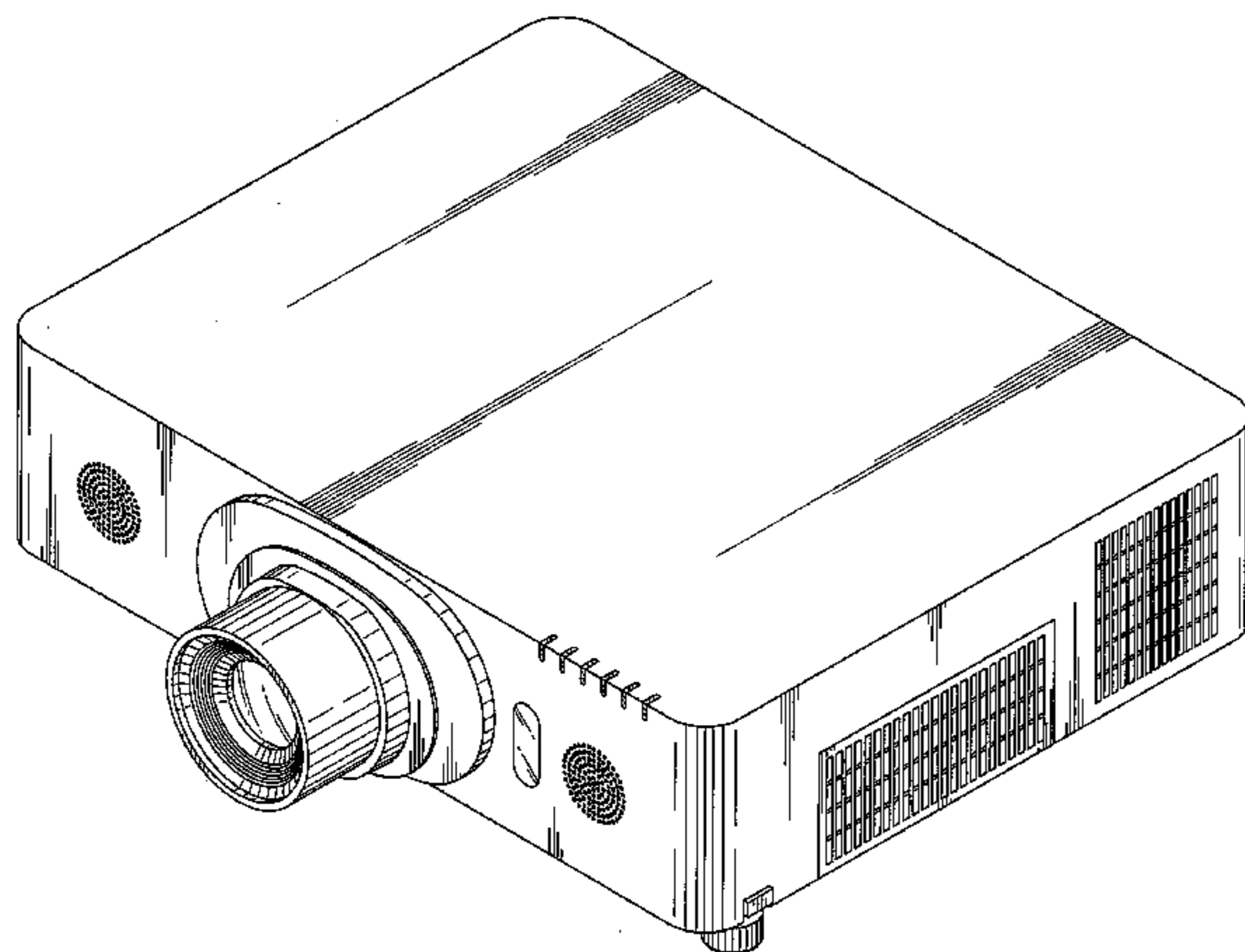
(57) **CLAIM**

We claim the ornamental design for a projector, as shown and described.

**DESCRIPTION**

FIG. 1 is a front, top and right side perspective view of a projector showing our new design;  
FIG. 2 is a rear, top and left side perspective view thereof;  
FIG. 3 is a front elevational view thereof;  
FIG. 4 is a rear elevational view thereof;  
FIG. 5 is a left side elevational view thereof;  
FIG. 6 is a right side elevational view thereof;  
FIG. 7 is a top plan view thereof; and,  
FIG. 8 is a bottom plan view thereof.

**1 Claim, 6 Drawing Sheets**



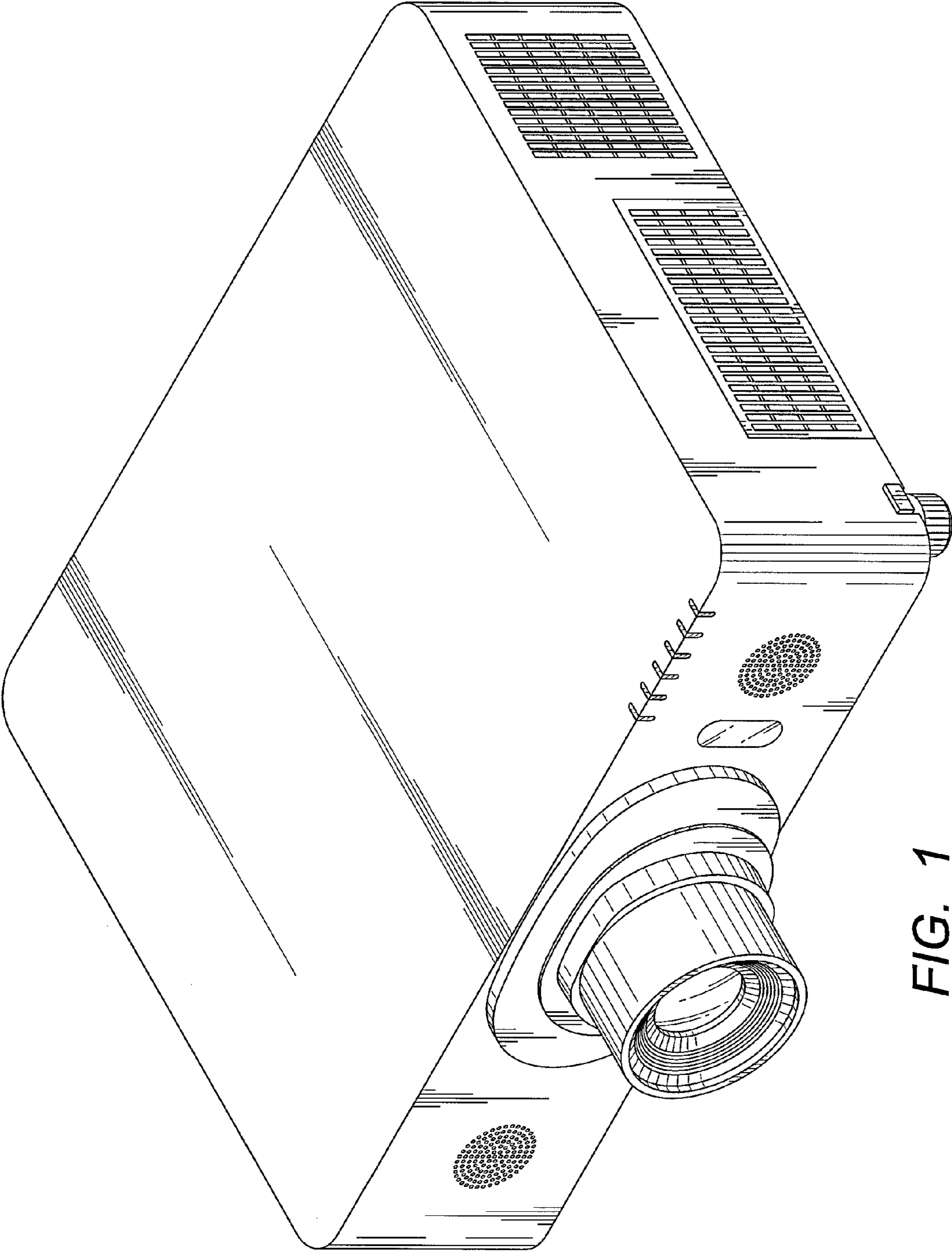


FIG. 1

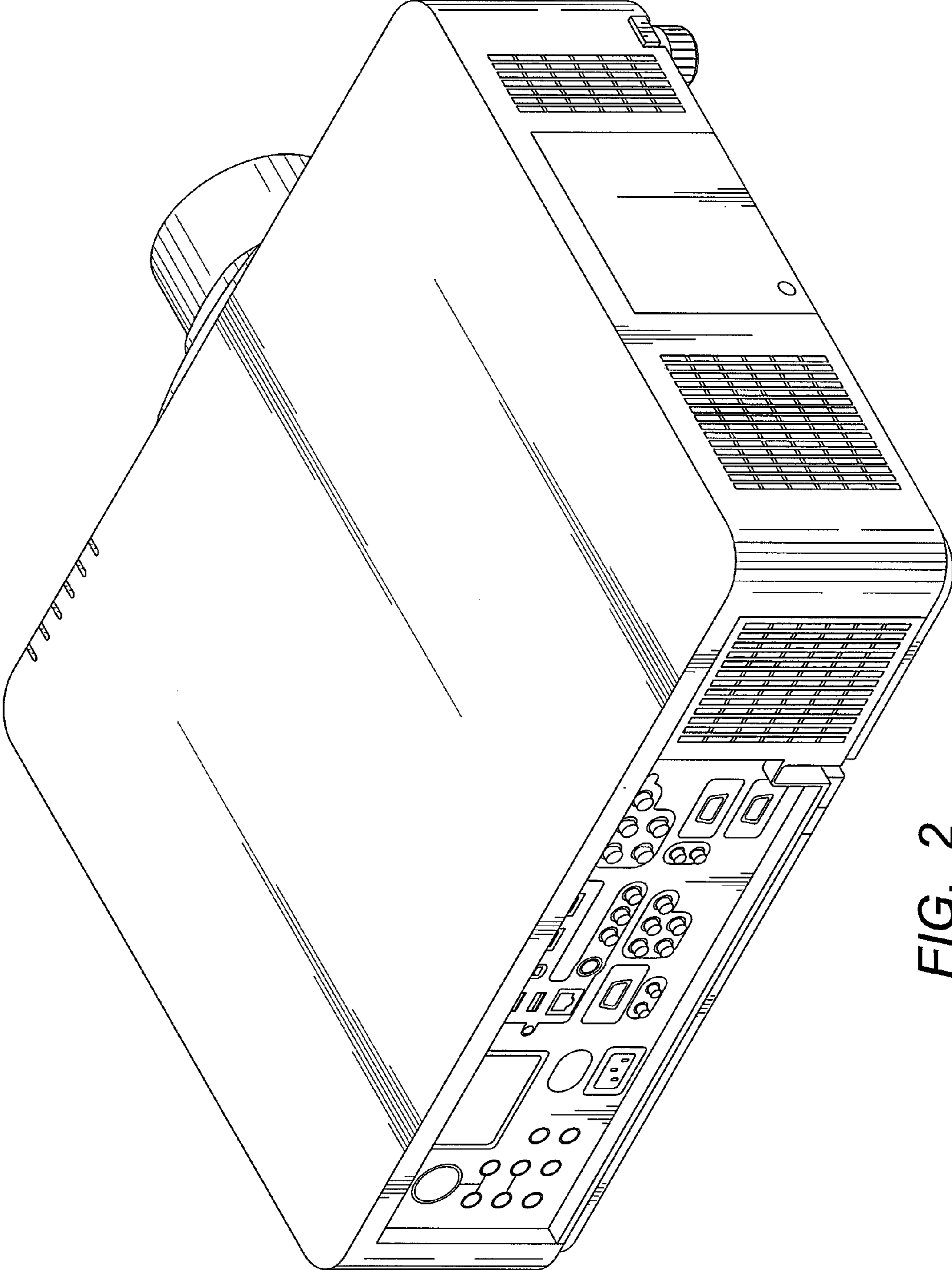


FIG. 2

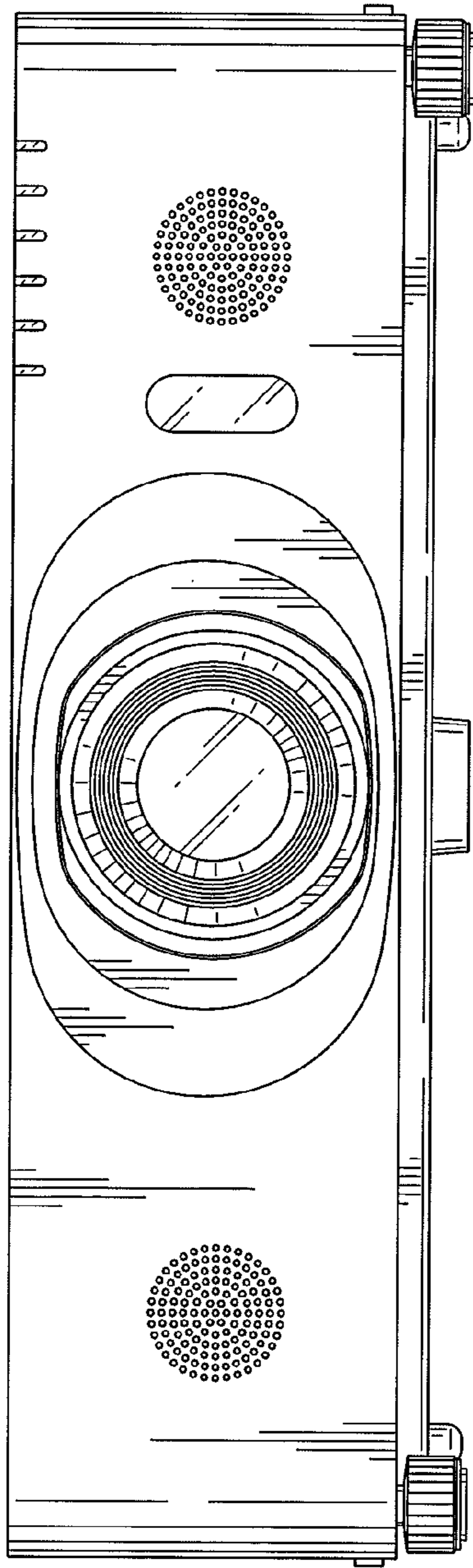


FIG. 3

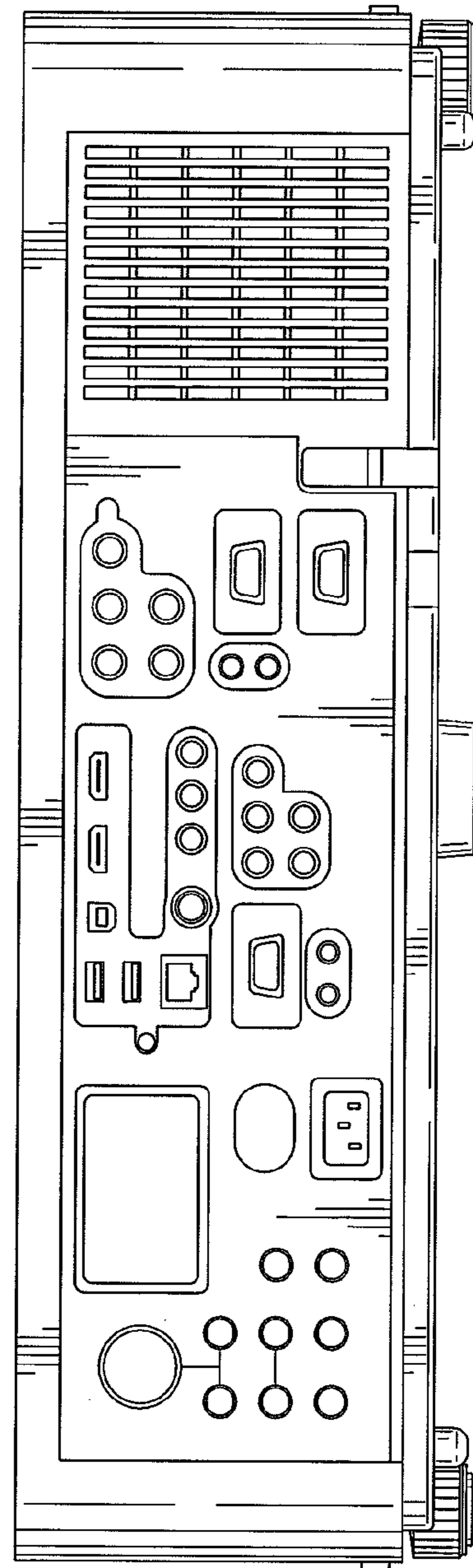


FIG. 4

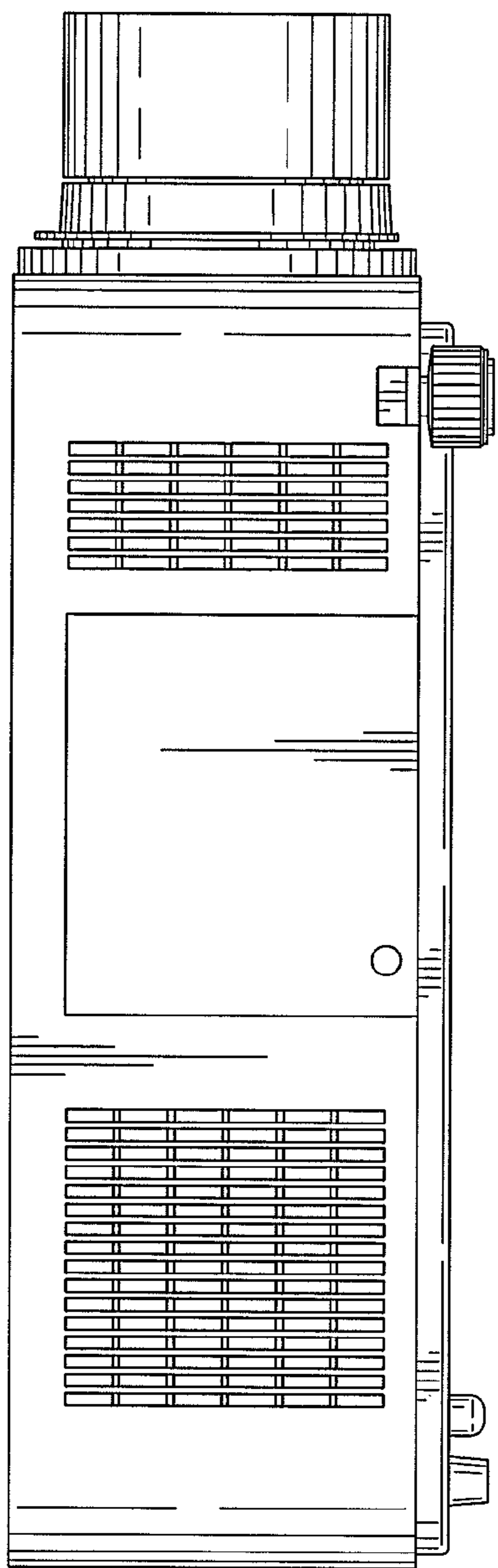


FIG. 5

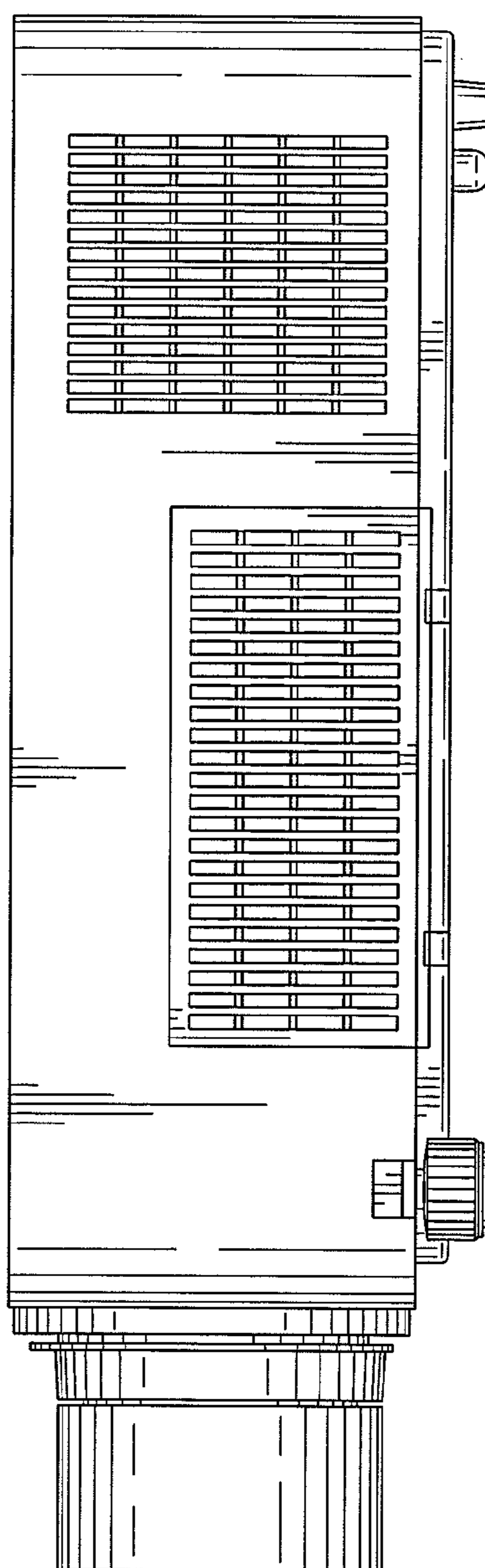


FIG. 6

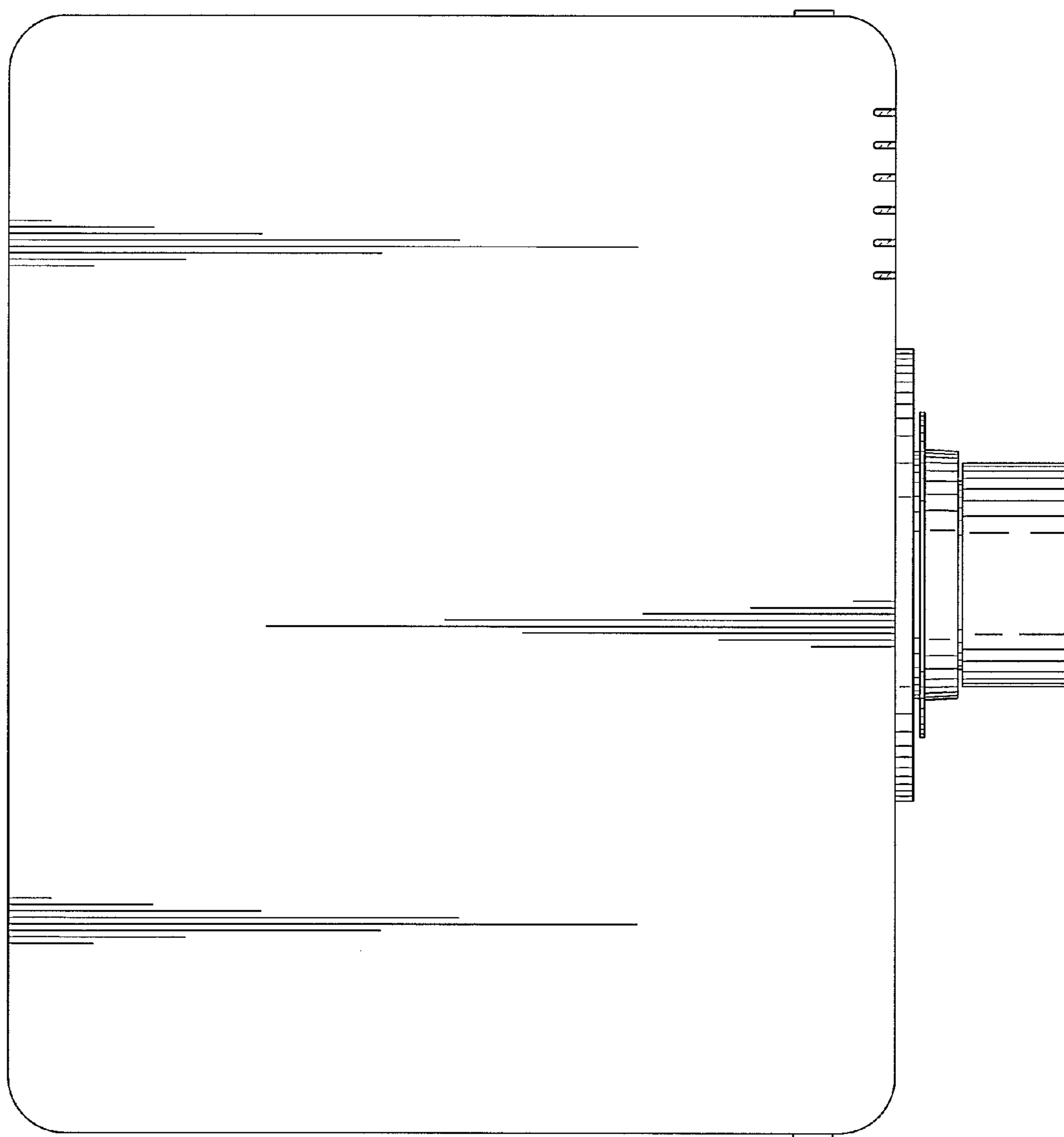


FIG. 7

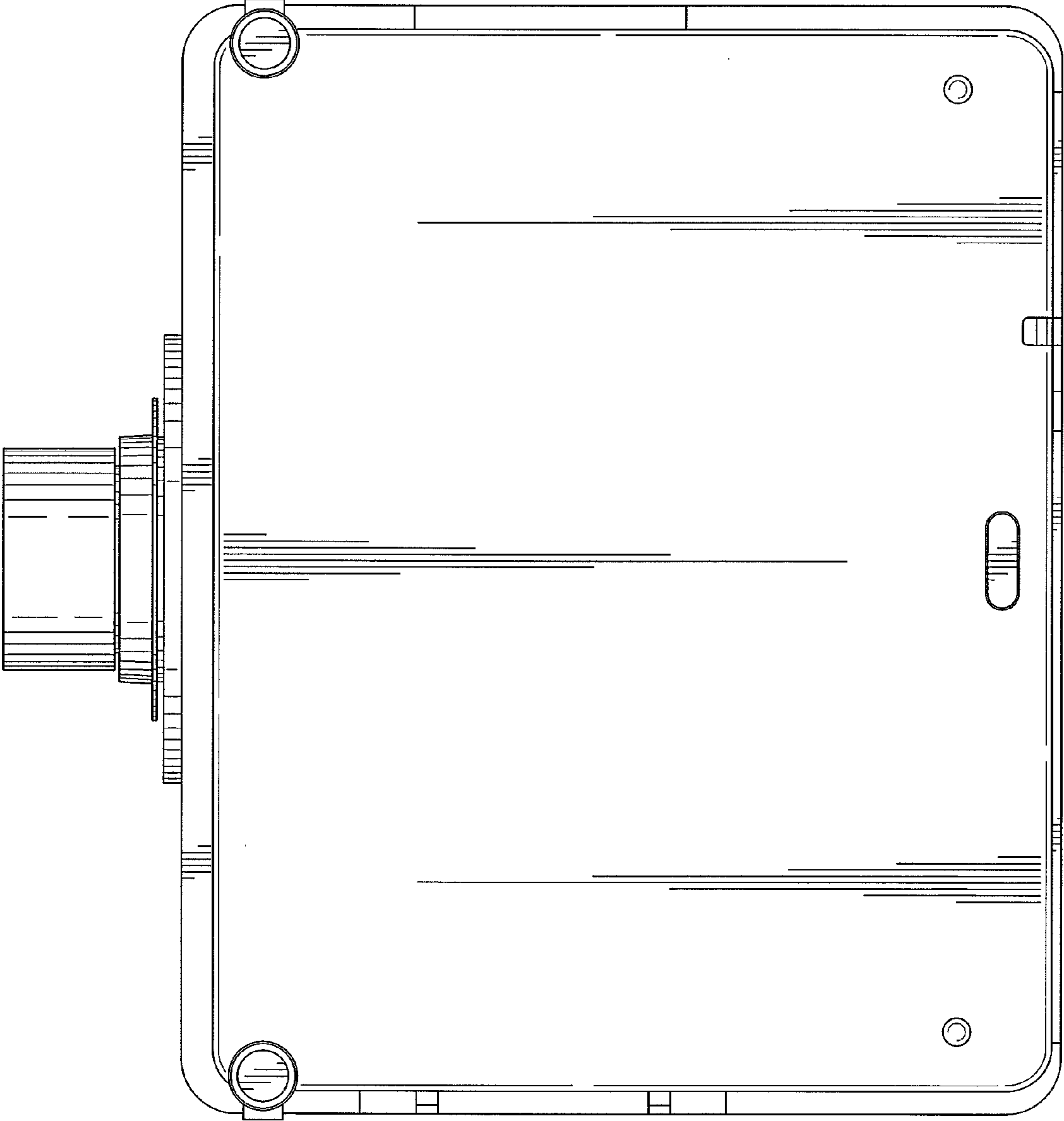


FIG. 8