



US00D680149S

(12) **United States Design Patent**  
**Nakajima**

(10) **Patent No.:** **US D680,149 S**

(45) **Date of Patent:** **\*\* Apr. 16, 2013**

(54) **DIGITAL CAMERA**

(75) Inventor: **Mitsuo Nakajima**, Kamakura (JP)

(73) Assignee: **Nikon Corporation**, Tokyo (JP)

(\*\*) Term: **14 Years**

(21) Appl. No.: **29/411,659**

(22) Filed: **Jan. 25, 2012**

(30) **Foreign Application Priority Data**

Aug. 5, 2011 (JP) ..... 2011-017984

(51) **LOC (9) Cl.** ..... **16-05**

(52) **U.S. Cl.**  
USPC ..... **D16/219**

(58) **Field of Classification Search** ..... D16/200–204,  
D16/208, 218, 212, 219; 348/373–376; 358/909.1;  
396/535–541

See application file for complete search history.

(56) **References Cited**

**U.S. PATENT DOCUMENTS**

D548,255 S \* 8/2007 Naito ..... D16/202  
D570,889 S \* 6/2008 Nakajima ..... D16/202  
D585,083 S \* 1/2009 Nakajima ..... D16/202  
D610,179 S \* 2/2010 Tajima ..... D16/202

D627,385 S \* 11/2010 Tainaka ..... D16/219  
D631,078 S \* 1/2011 Nohara ..... D16/202  
D648,765 S \* 11/2011 Tsukamoto ..... D16/202

\* cited by examiner

*Primary Examiner* — Adir Aronovich

(74) *Attorney, Agent, or Firm* — Wolf, Greenfield & Sacks,  
P.C.; Randy J. Pritzker

(57) **CLAIM**

The ornamental design for a digital camera, as shown and described.

**DESCRIPTION**

FIG. 1 is a front perspective view of a digital camera showing my new design;

FIG. 2 is a rear perspective view thereof;

FIG. 3 is a front elevational view thereof;

FIG. 4 is a rear elevational view thereof;

FIG. 5 is a top plan view thereof;

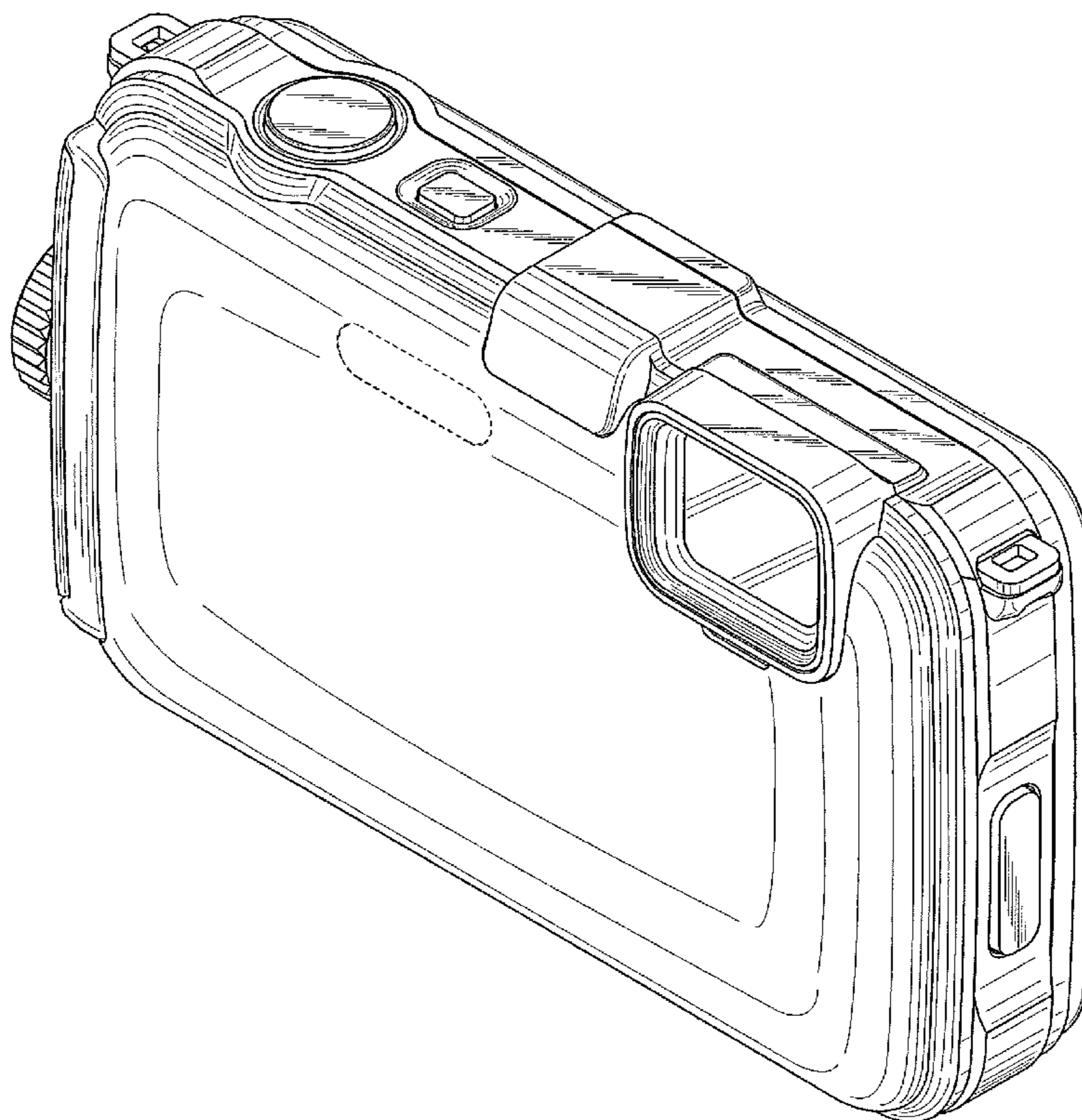
FIG. 6 is a bottom plan view thereof;

FIG. 7 is a right side elevational view thereof; and,

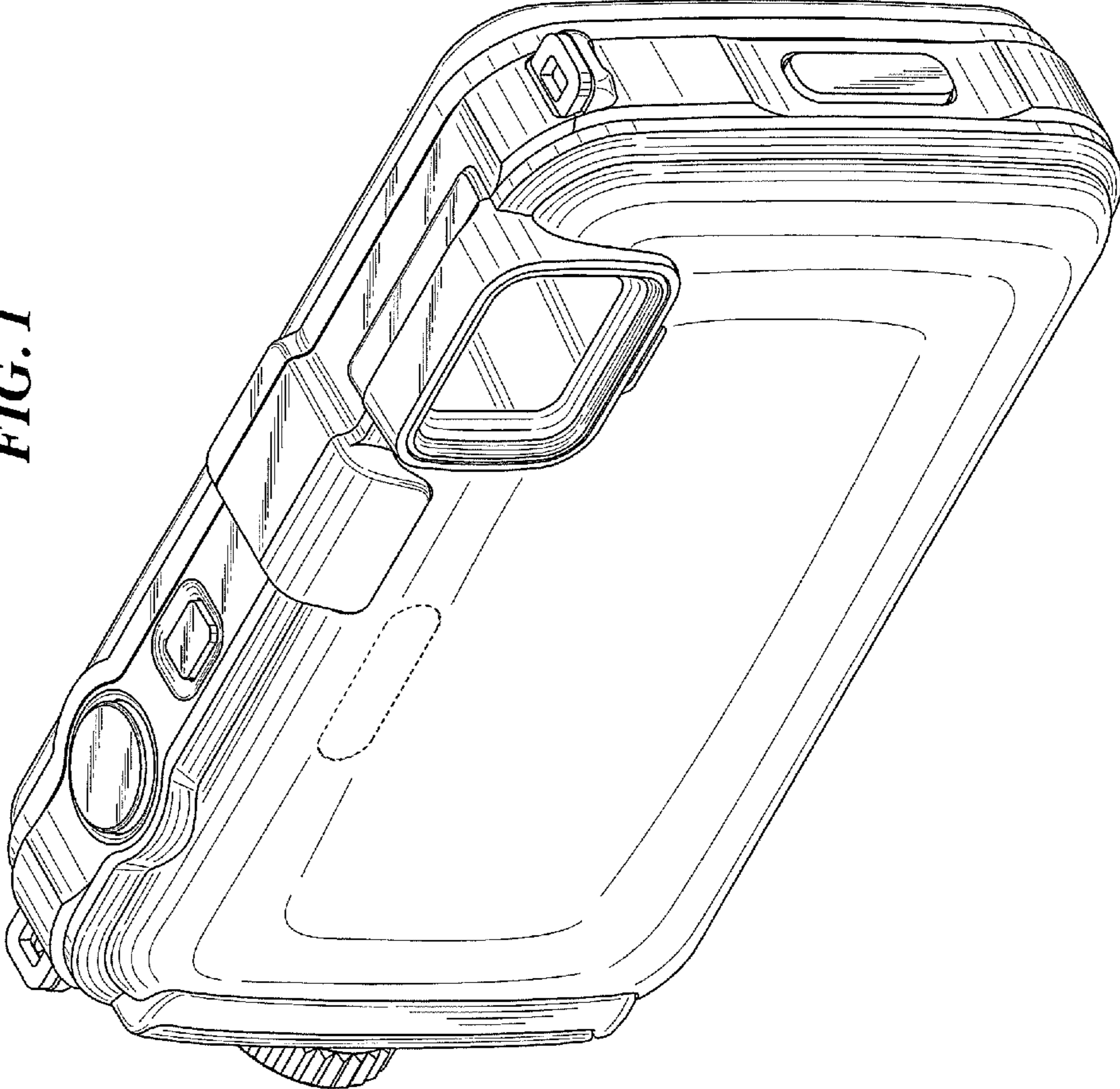
FIG. 8 is a left side elevational view thereof.

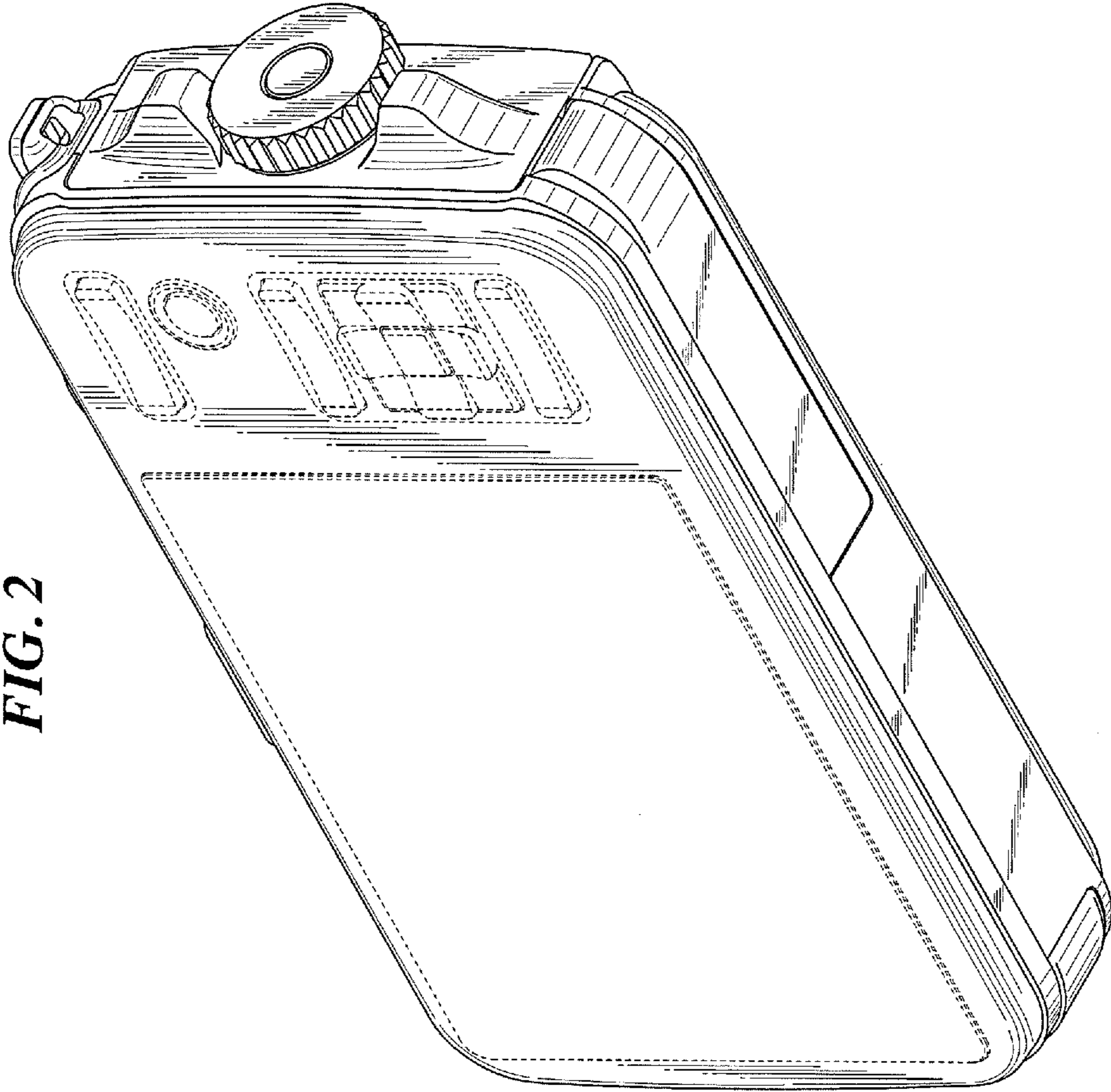
The features shown in broken lines in the drawings depict environmental subject matter only and form no part of the claimed design.

**1 Claim, 6 Drawing Sheets**



*FIG. 1*

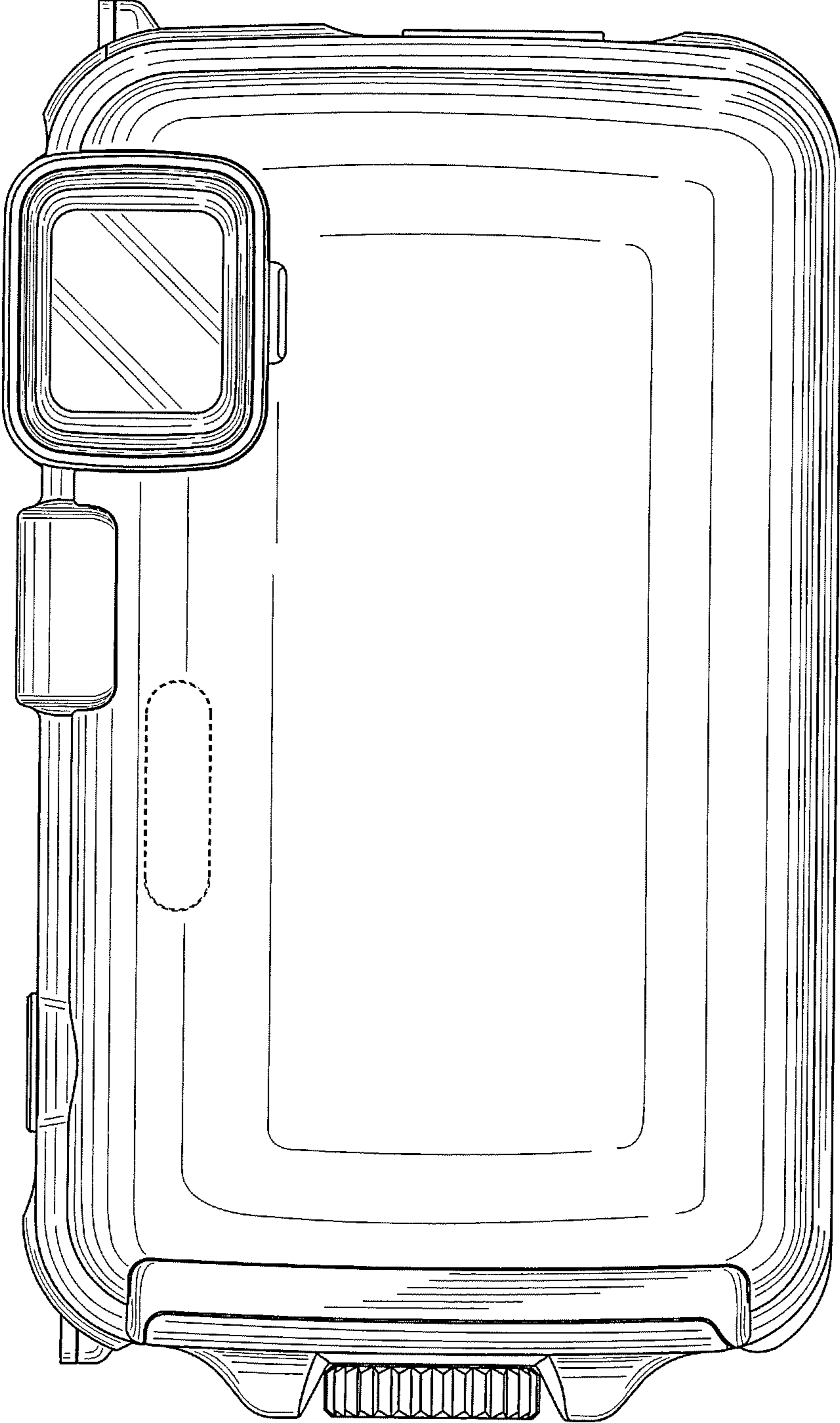




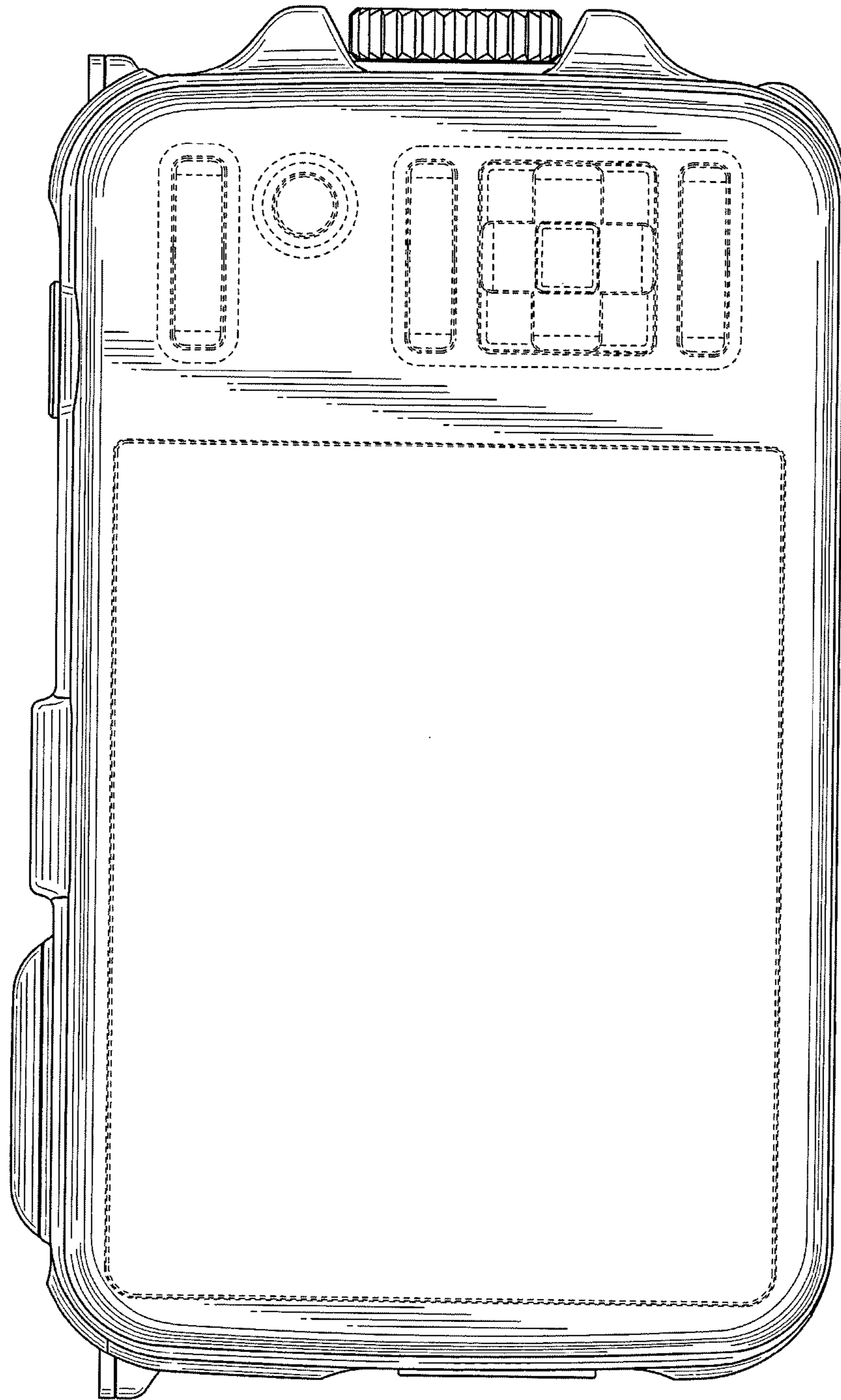
**FIG. 2**



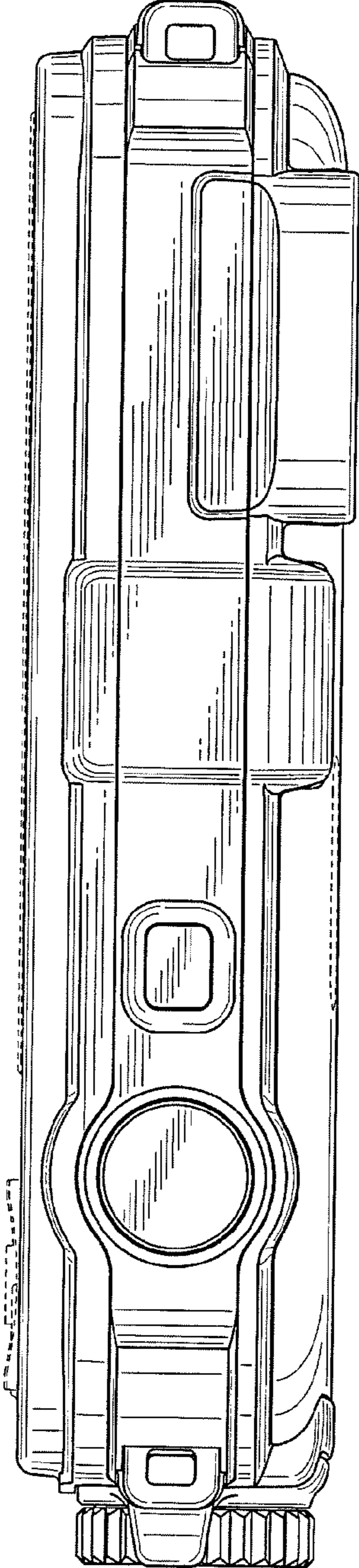
*FIG. 3*



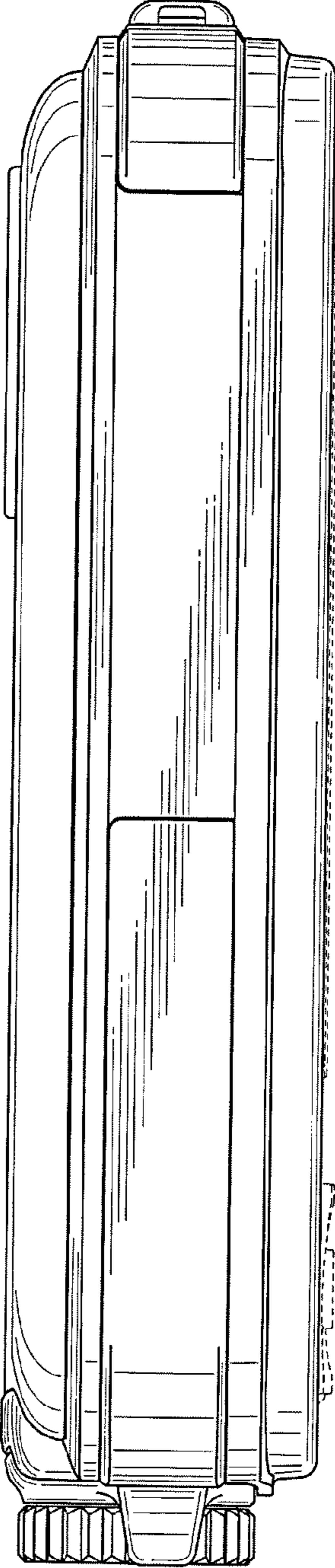
**FIG. 4**



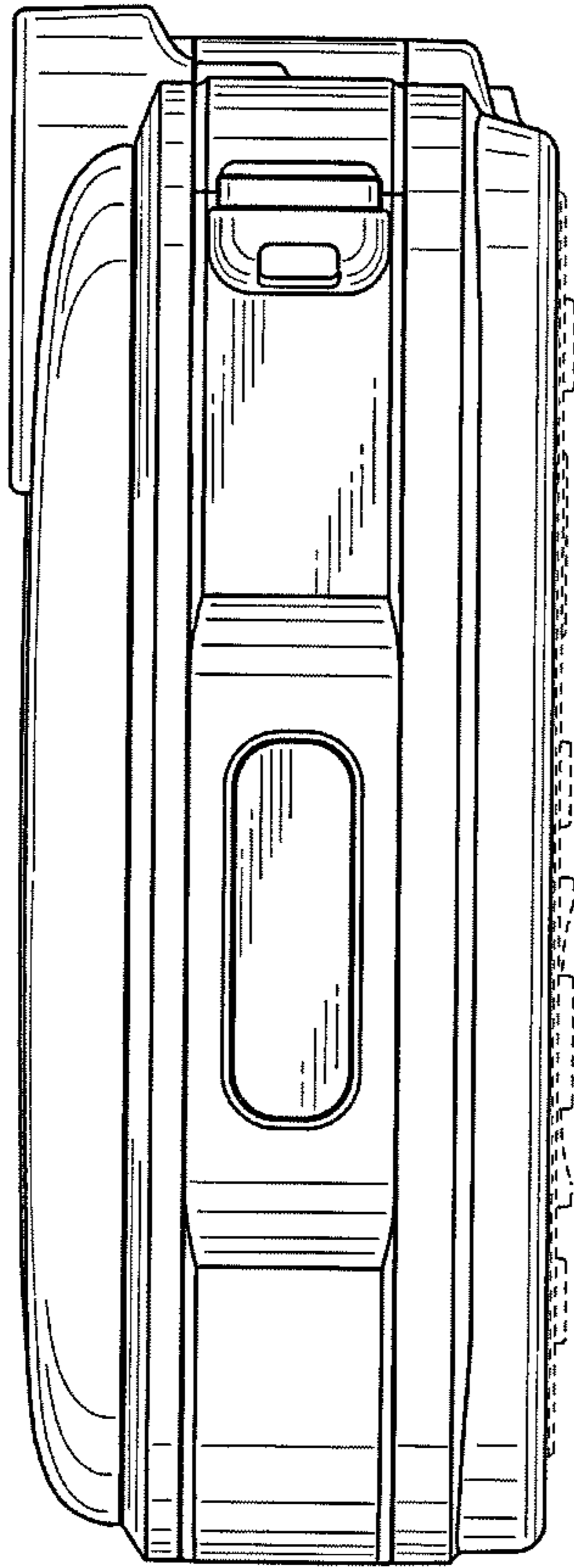
*FIG. 5*



*FIG. 6*



**FIG. 7**



**FIG. 8**

