



US00D680145S

(12) **United States Design Patent**  
**Tsai**

(10) **Patent No.:** **US D680,145 S**  
(45) **Date of Patent:** **\*\* Apr. 16, 2013**

(54) **ELECTRONIC CAMERA**  
(75) Inventor: **James Iming Tsai**, Redmond, WA (US)  
(73) Assignee: **Microsoft Corporation**, Redmond, WA (US)

D631,079 S \* 1/2011 Tzeng ..... D16/202  
D632,718 S \* 2/2011 Tzeng ..... D16/202  
D647,934 S 11/2011 Raken et al.  
D662,532 S \* 6/2012 Chang ..... D16/202  
D664,579 S \* 7/2012 Tzeng ..... D16/202  
D665,441 S \* 8/2012 McManigal ..... D16/218  
D669,111 S \* 10/2012 Ravi et al. .... D16/218

(\*\*) Term: **14 Years**

\* cited by examiner

(21) Appl. No.: **29/415,010**

*Primary Examiner* — Adir Aronovich

(22) Filed: **Mar. 6, 2012**

(74) *Attorney, Agent, or Firm* — Banner & Witcoff, Ltd.

(51) **LOC (9) Cl.** ..... **16-01**

(52) **U.S. Cl.**

USPC ..... **D16/202**

(58) **Field of Classification Search** ..... D16/200,  
D16/202, 208, 218, 242; 348/143, 373; 396/419,  
396/535, 540, 541

See application file for complete search history.

(57) **CLAIM**

The ornamental design for an electronic camera, as shown and described.

**DESCRIPTION**

FIG. 1 is a front perspective view of an electronic camera showing my new design;  
FIG. 2 is a front elevational view thereof;  
FIG. 3 is a rear elevational view thereof;  
FIG. 4 is left side elevational view thereof;  
FIG. 5 is right side elevational view thereof;  
FIG. 6 is a top plan view thereof; and,  
FIG. 7 is a bottom plan view thereof.

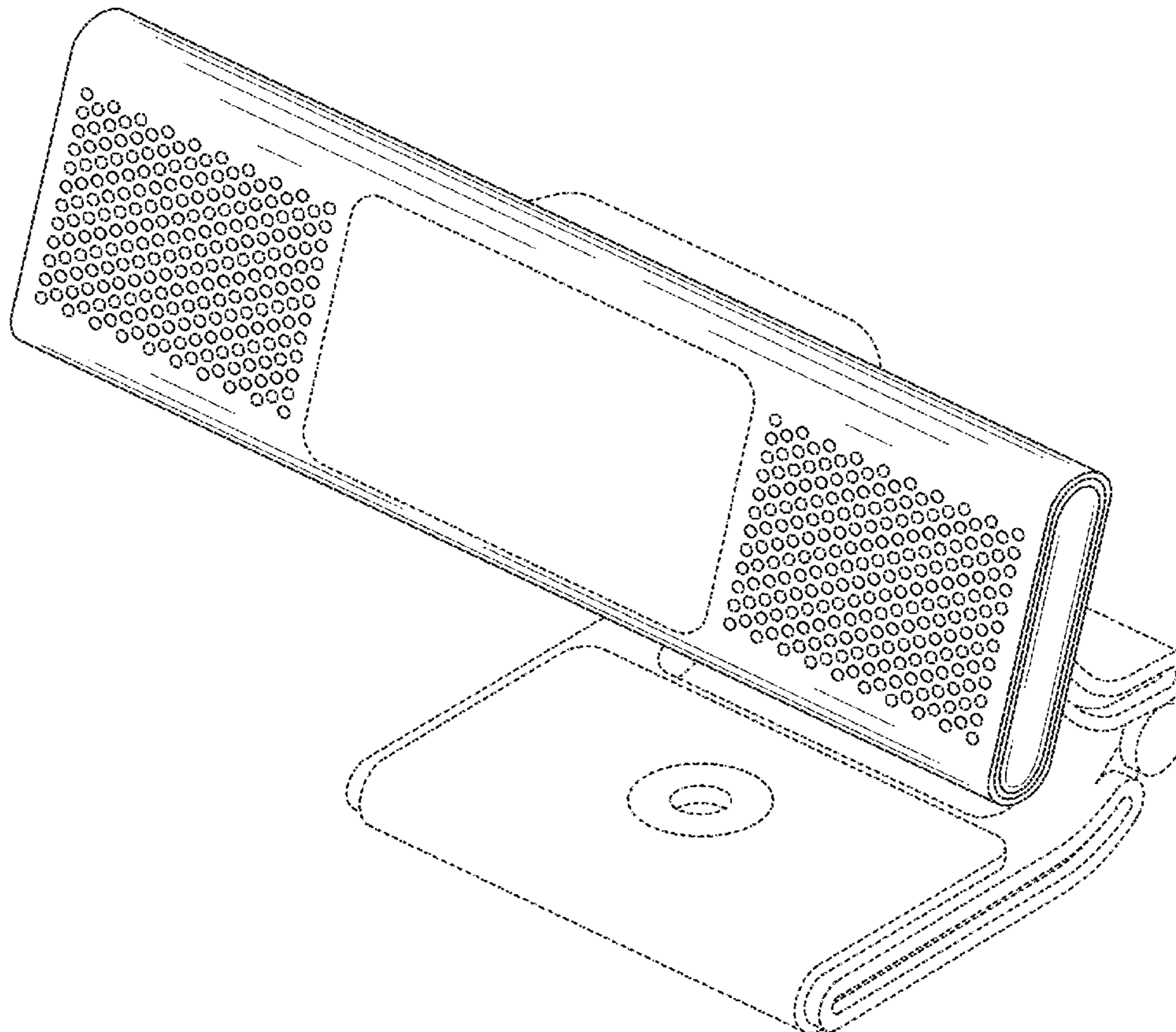
The broken line portions in all views are shown to illustrate environment only and form no part of the claimed design.

(56) **References Cited**

U.S. PATENT DOCUMENTS

D576,649 S 9/2008 Kim  
D581,960 S 12/2008 Kim et al.  
D600,730 S \* 9/2009 Su ..... D16/202  
D612,882 S 3/2010 Kim et al.  
D619,484 S 7/2010 Ikeda et al.  
D629,031 S \* 12/2010 Su et al. .... D16/202

**1 Claim, 7 Drawing Sheets**



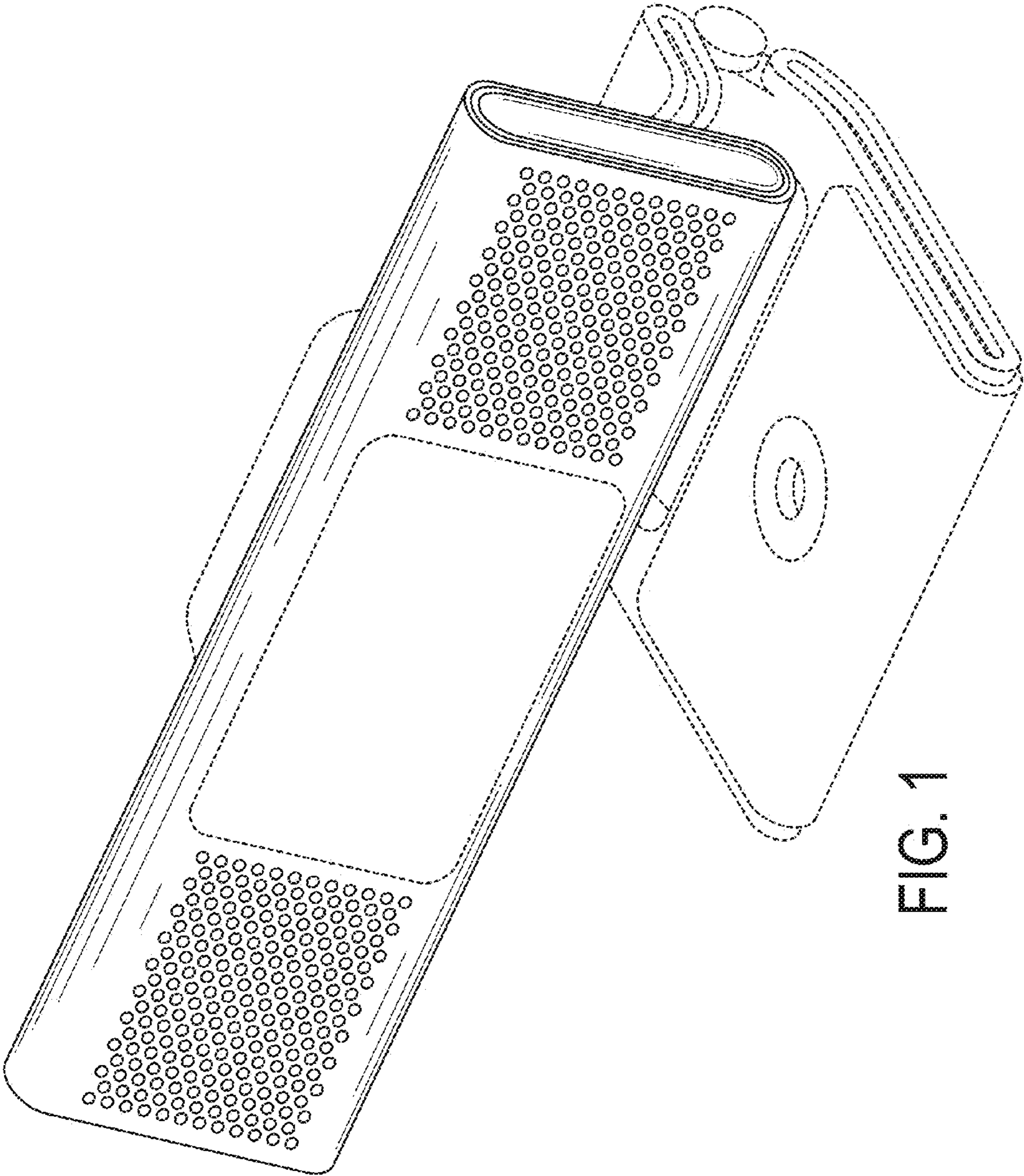


FIG. 1

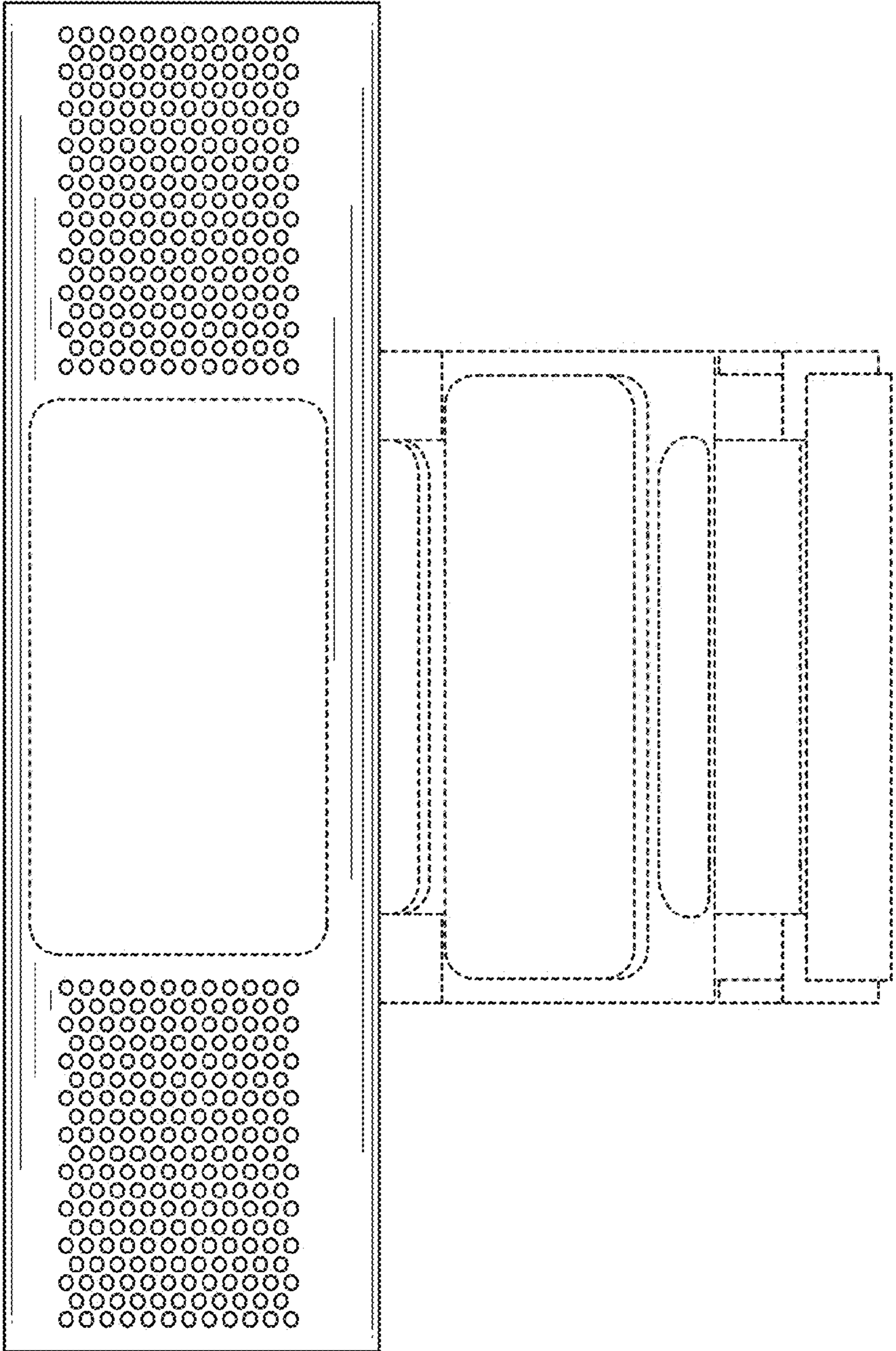


FIG. 2

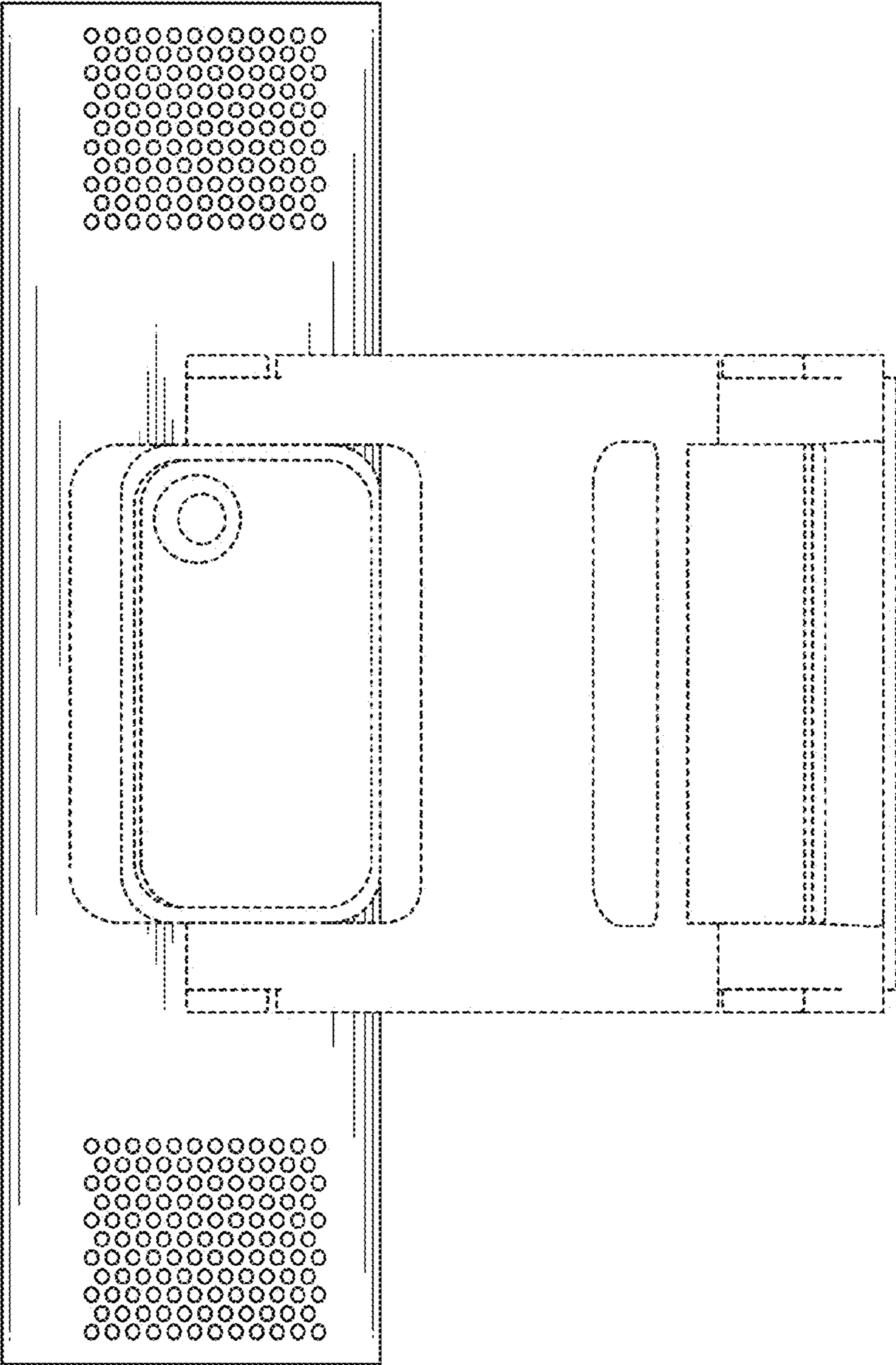


FIG. 3

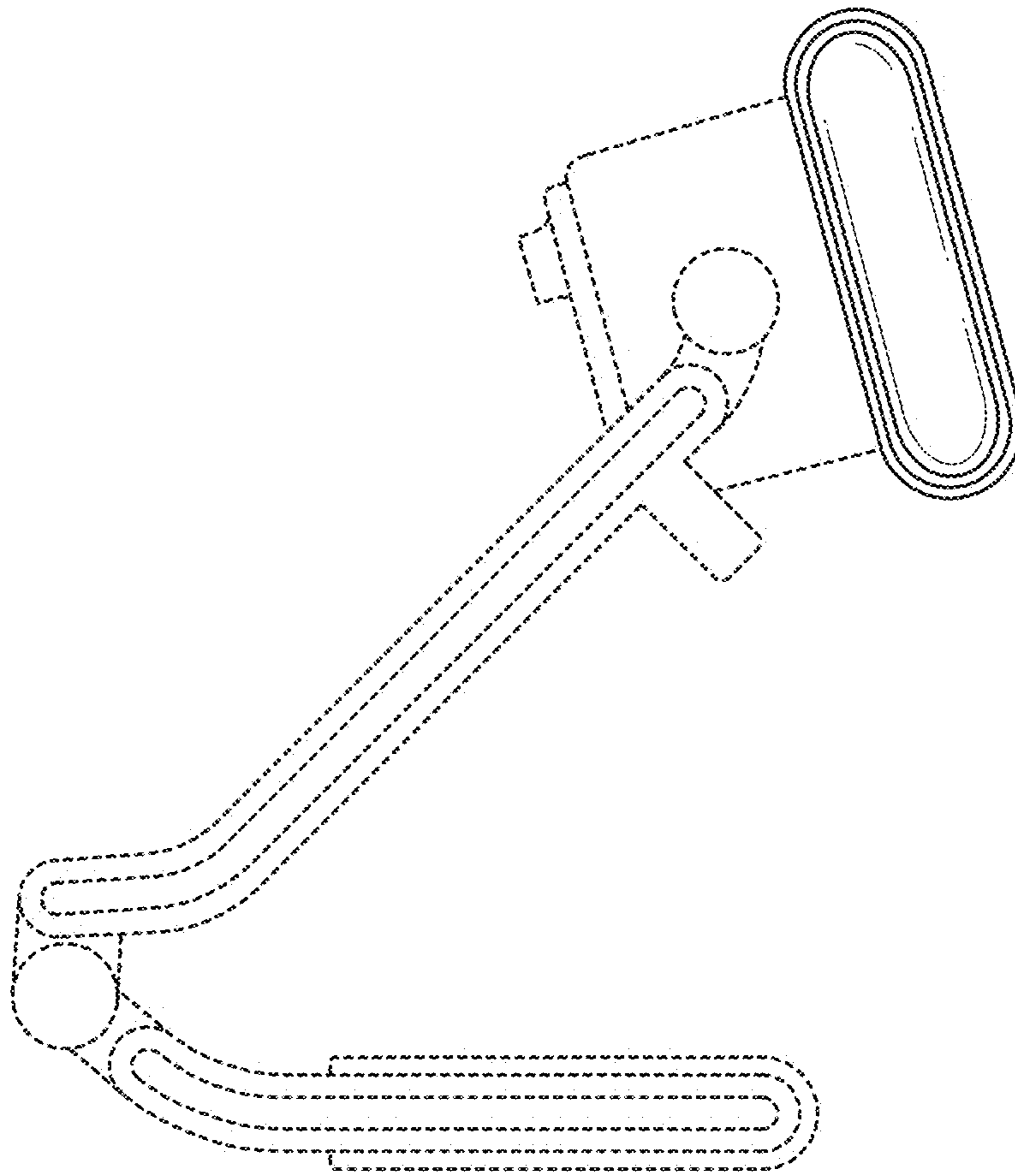


FIG. 4

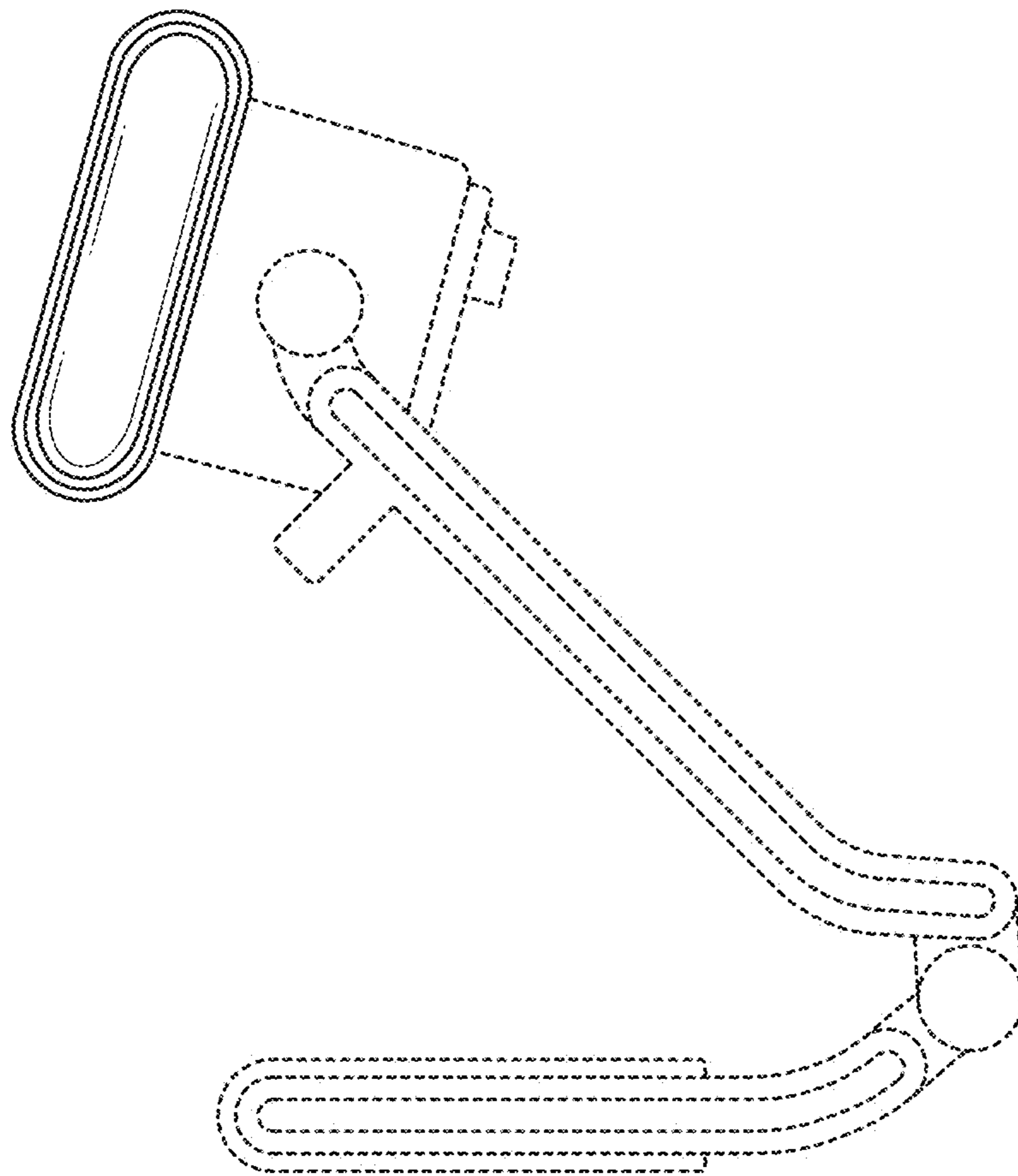


FIG. 5

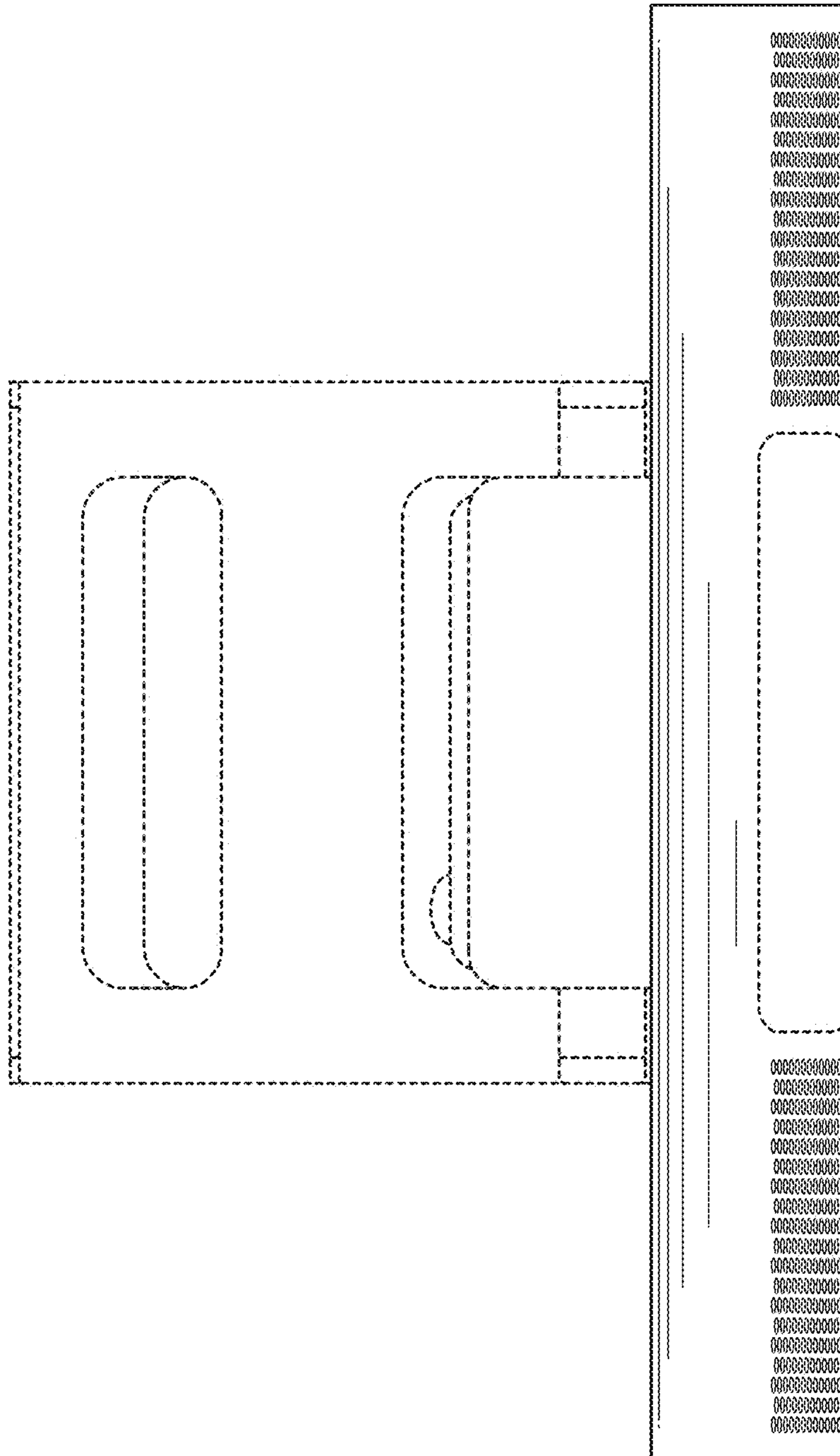


FIG. 6

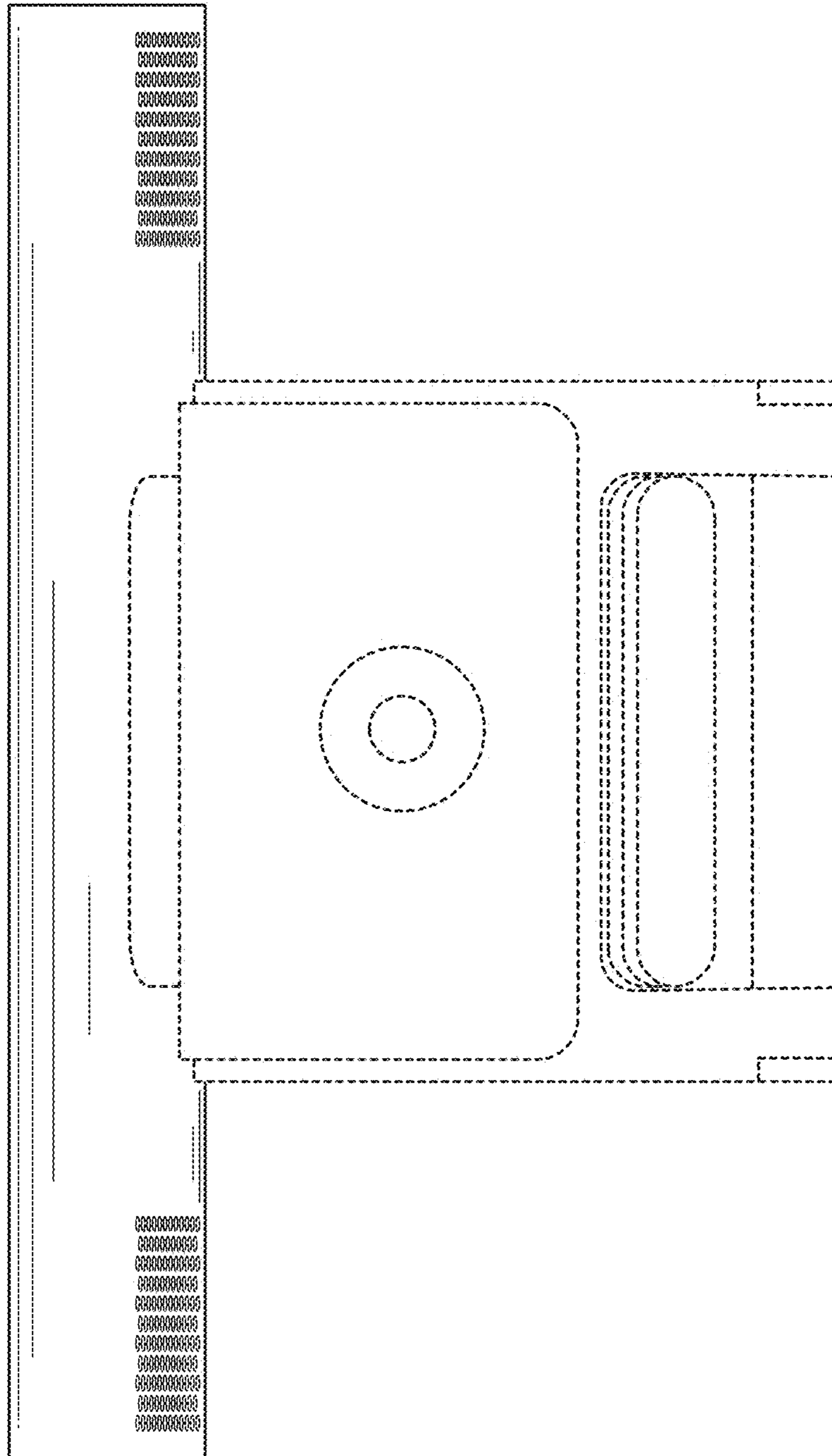


FIG. 7