



US00D680144S

(12) **United States Design Patent**
Tsai

(10) **Patent No.:** **US D680,144 S**
(45) **Date of Patent:** **** Apr. 16, 2013**

(54) **ELECTRONIC CAMERA**

D665,441 S * 8/2012 McManigal D16/218
D669,111 S * 10/2012 Ravi et al. D16/218

(75) Inventor: **James Iming Tsai**, Redmond, WA (US)

* cited by examiner

(73) Assignee: **Microsoft Corporation**, Redmond, WA (US)

Primary Examiner — Adir Aronovich

(74) *Attorney, Agent, or Firm* — Banner & Witcoff, Ltd.

(**) Term: **14 Years**

(57) **CLAIM**

The ornamental design for an electronic camera, as shown and described.

(21) Appl. No.: **29/415,000**

DESCRIPTION

(22) Filed: **Mar. 6, 2012**

(51) **LOC (9) Cl.** **16-01**

(52) **U.S. Cl.**

USPC **D16/202**

(58) **Field of Classification Search** D16/200,
D16/202, 208, 218, 242; 348/143, 373; 396/419,
396/535, 540, 541

See application file for complete search history.

FIG. 1 is a front perspective view of an electronic camera showing my new design;

FIG. 2 is a front elevational view thereof;

FIG. 3 is a rear elevational view thereof;

FIG. 4 is left side elevational view thereof;

FIG. 5 is right side elevational view thereof;

FIG. 6 is a top plan view thereof;

FIG. 7 is a bottom plan view thereof;

FIG. 8 is an alternate front perspective view of the electronic camera of FIGS. 1-7 shown without surface shading and disclaimed portions;

FIG. 9 is a front elevational view thereof;

FIG. 10 is a rear elevational view thereof;

FIG. 11 is left side elevational view thereof;

FIG. 12 is right side elevational view thereof;

FIG. 13 is a top plan view thereof; and,

FIG. 14 is a bottom plan view thereof.

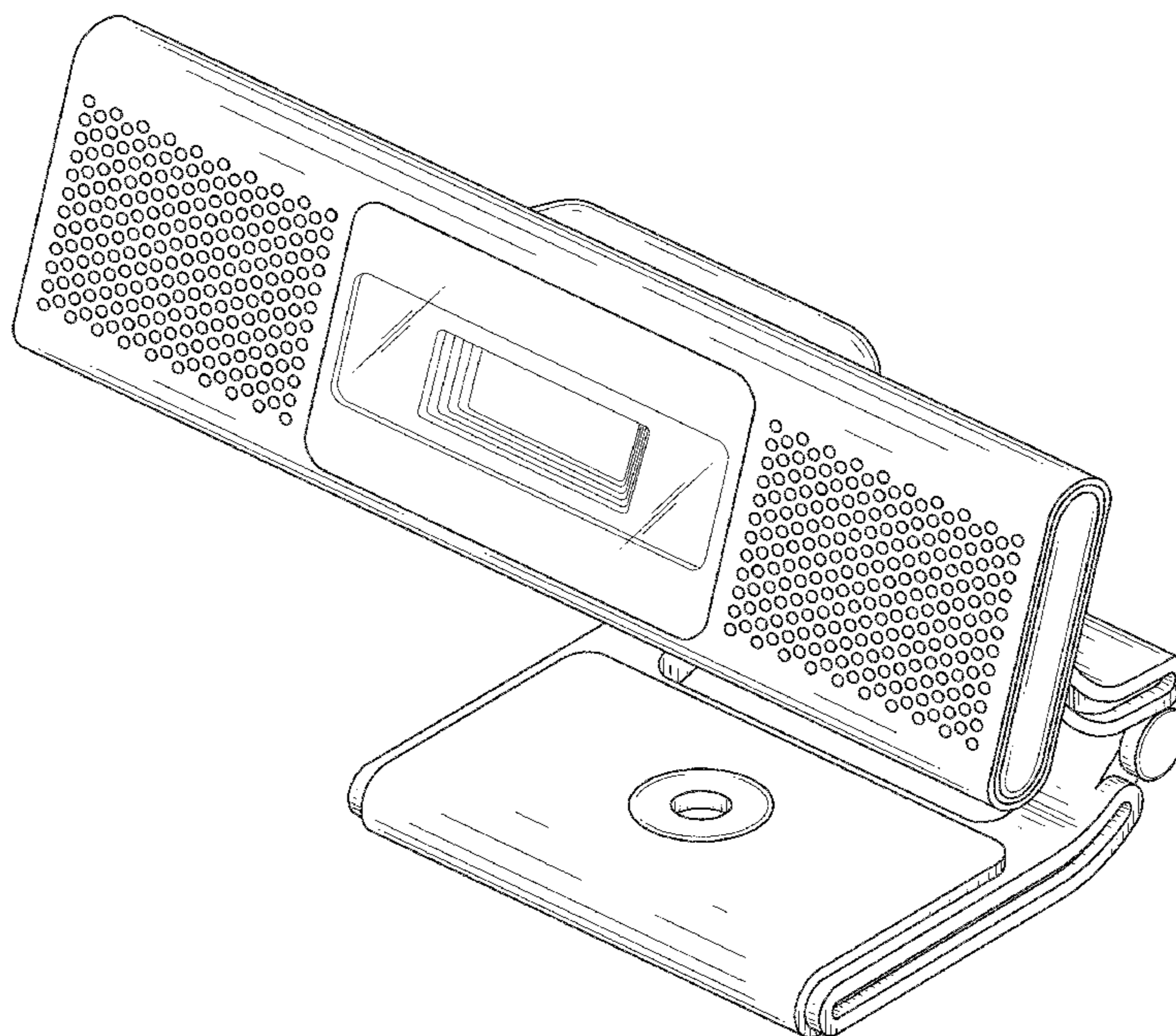
The broken lines showing a cord portion of the electronic camera in FIGS. 3-6 and the unshaded portion therein are to illustrate environment only and form no part of the claimed design.

(56) **References Cited**

U.S. PATENT DOCUMENTS

D576,649 S	9/2008	Kim	
D581,960 S	12/2008	Kim et al.	
D600,730 S *	9/2009	Su	D16/202
D612,882 S	3/2010	Kim et al.	
D619,484 S	7/2010	Ikeda et al.	
D629,031 S *	12/2010	Su et al.	D16/202
D631,079 S *	1/2011	Tzeng	D16/202
D632,718 S *	2/2011	Tzeng	D16/202
D647,934 S	11/2011	Raken et al.	
D662,532 S *	6/2012	Chang	D16/202
D664,579 S *	7/2012	Tzeng	D16/202

1 Claim, 14 Drawing Sheets



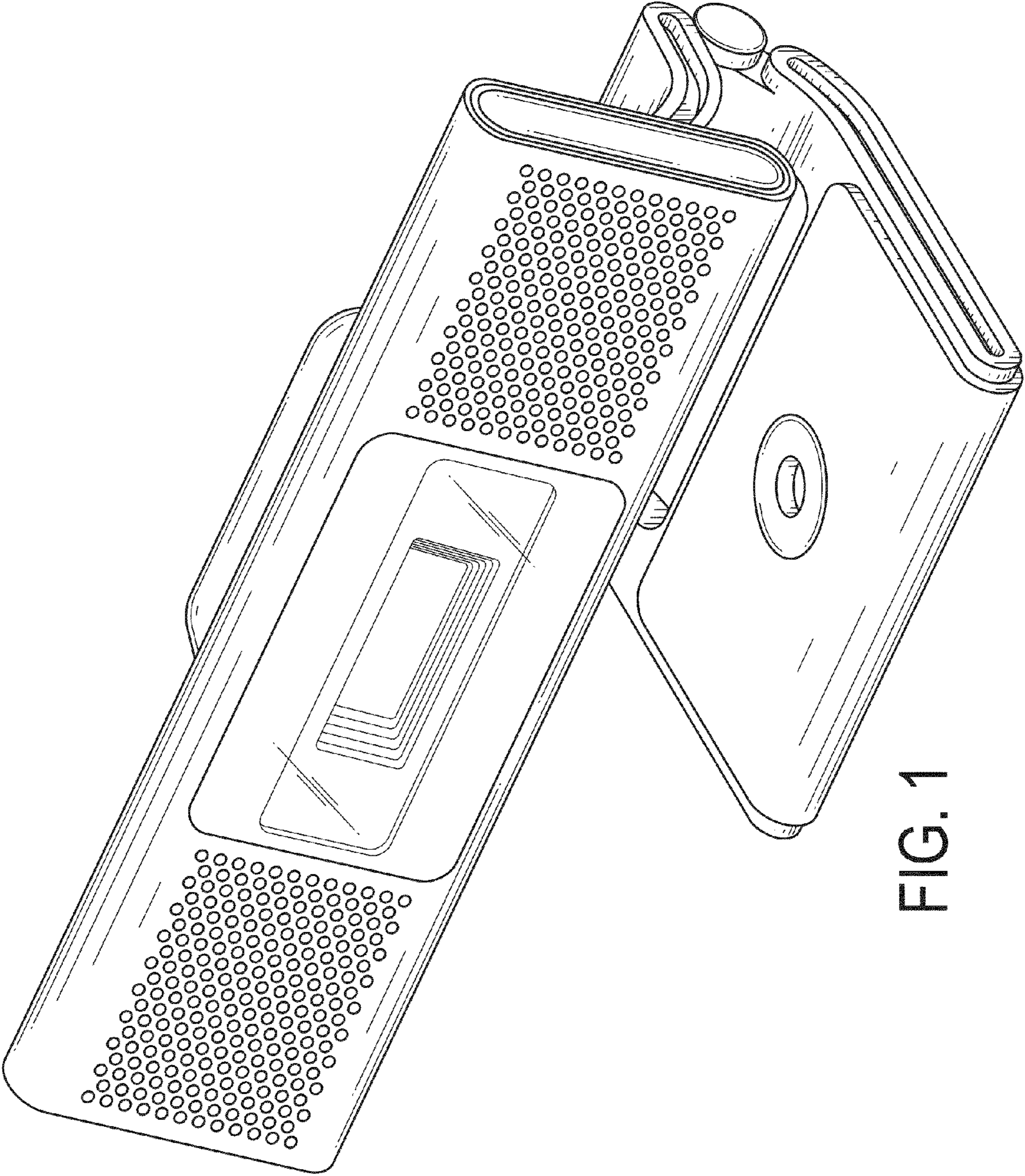


FIG. 1

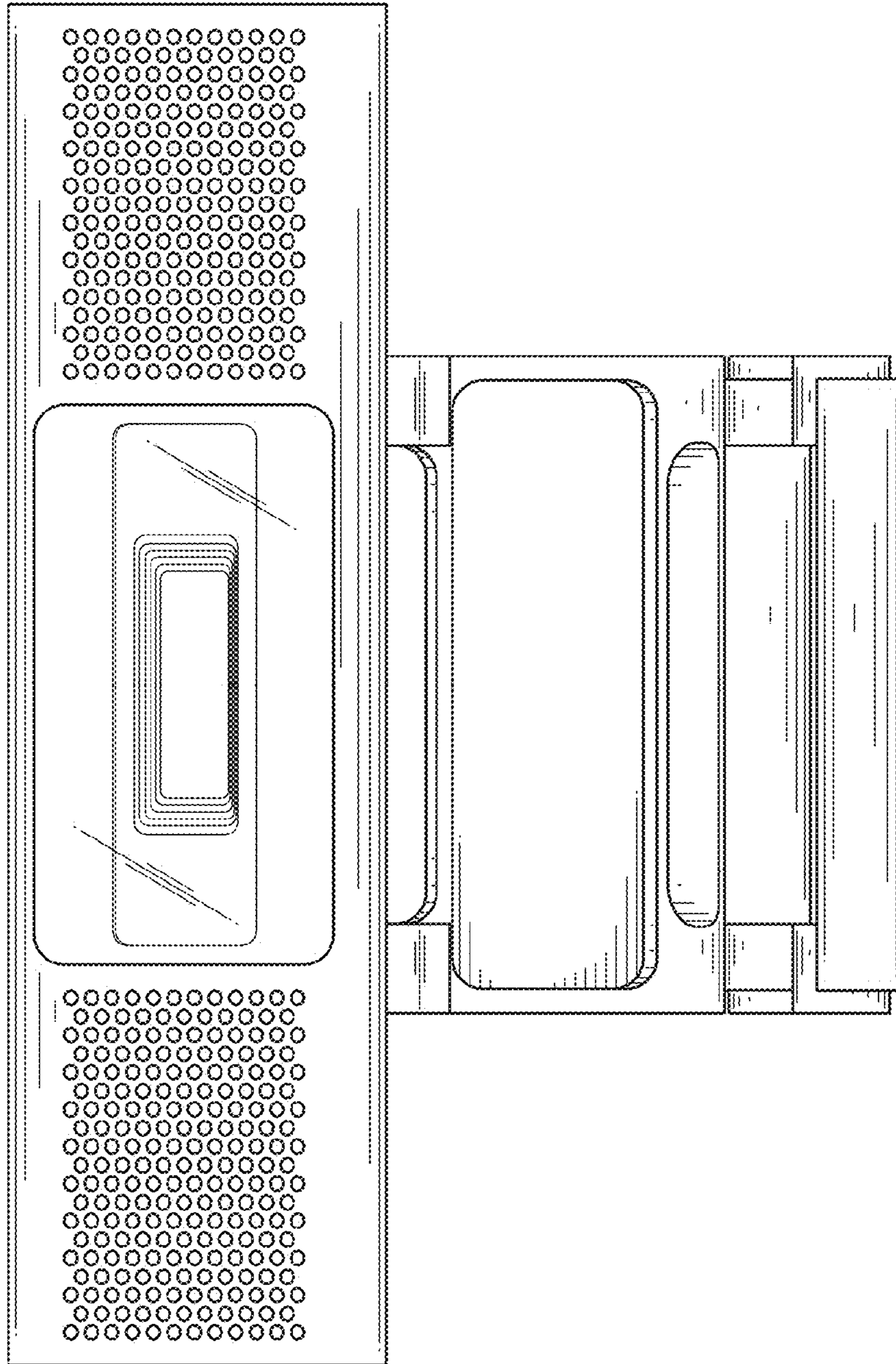


FIG. 2

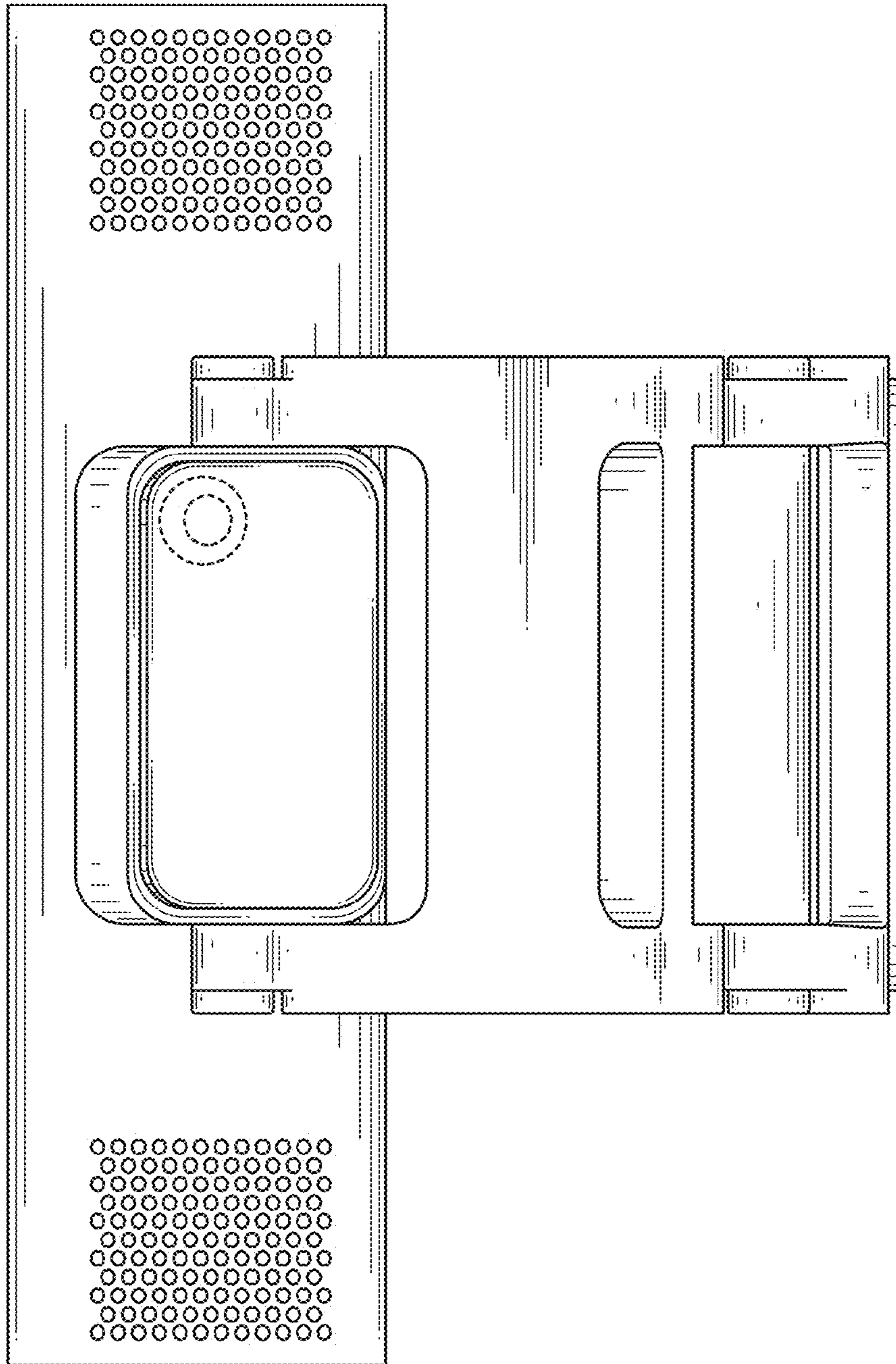


FIG. 3

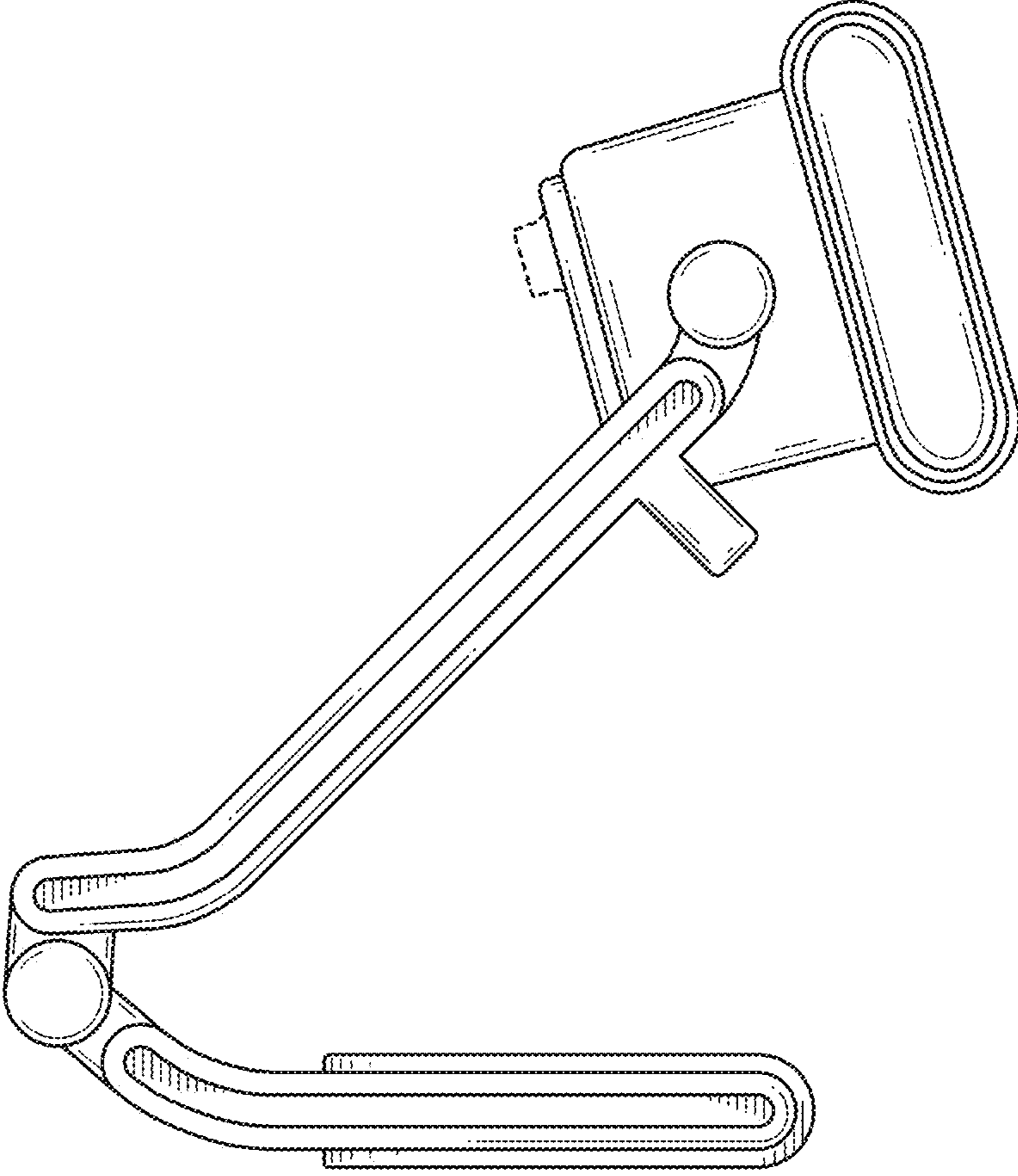


FIG. 4

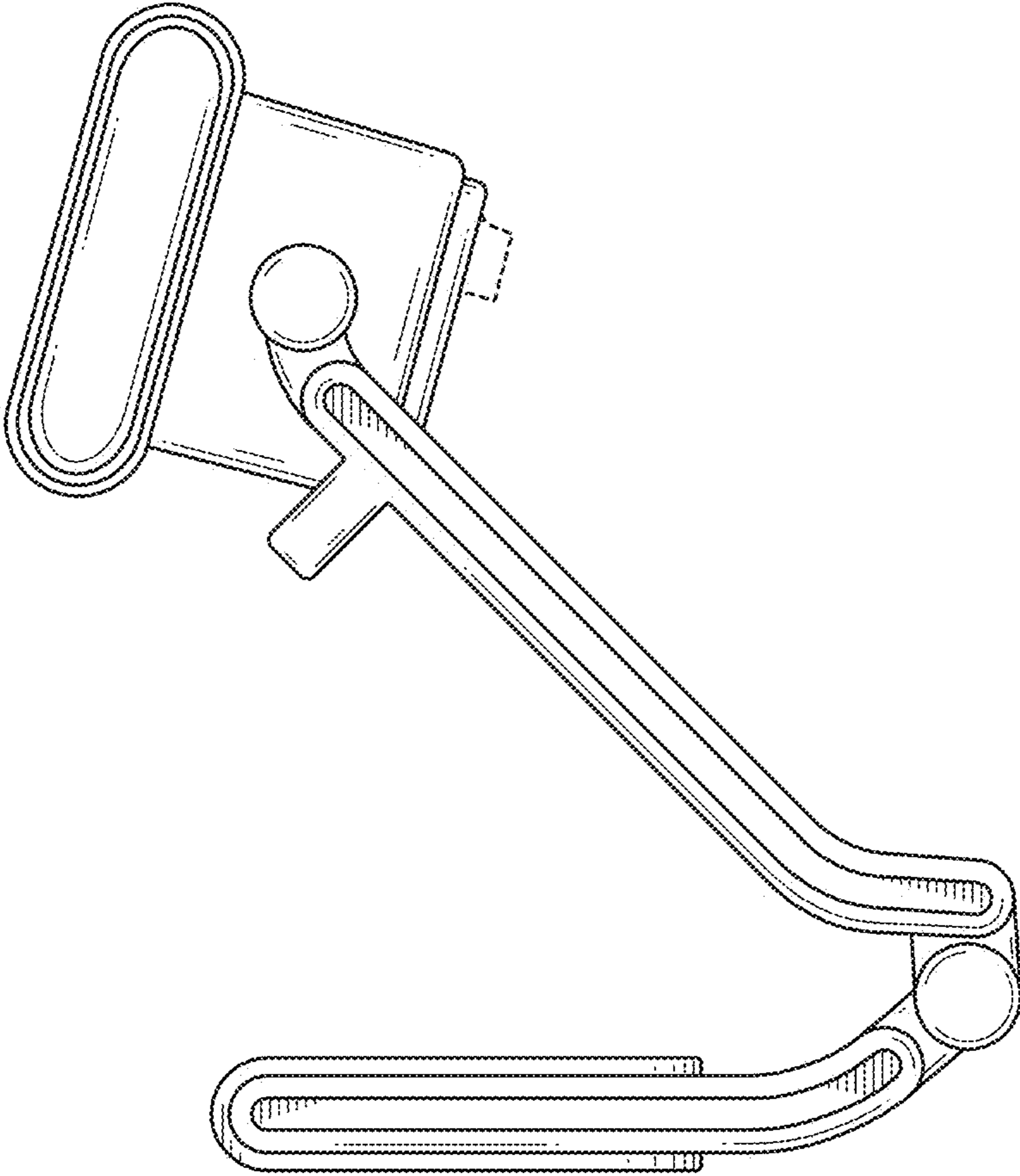


FIG. 5

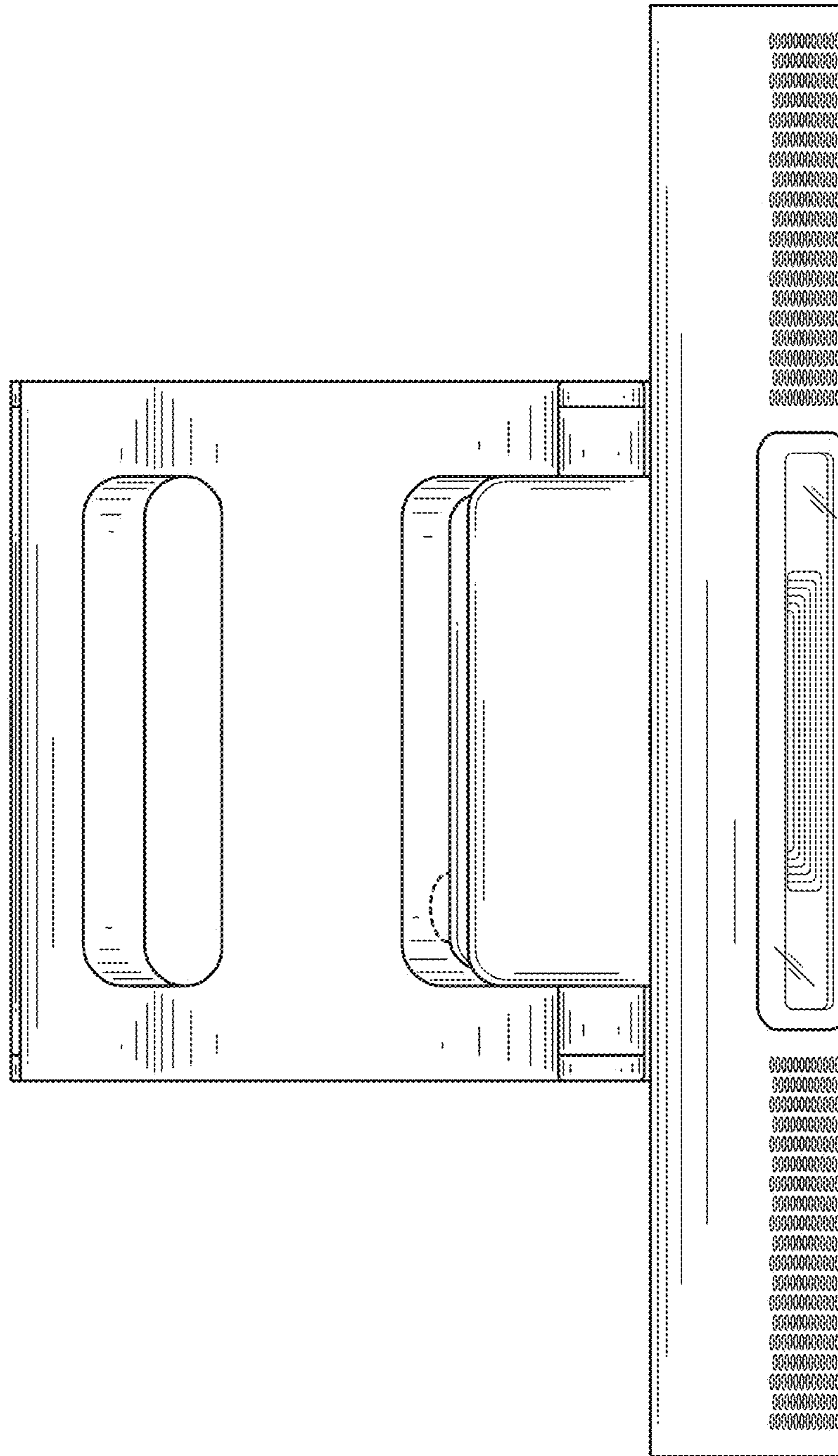


FIG. 6

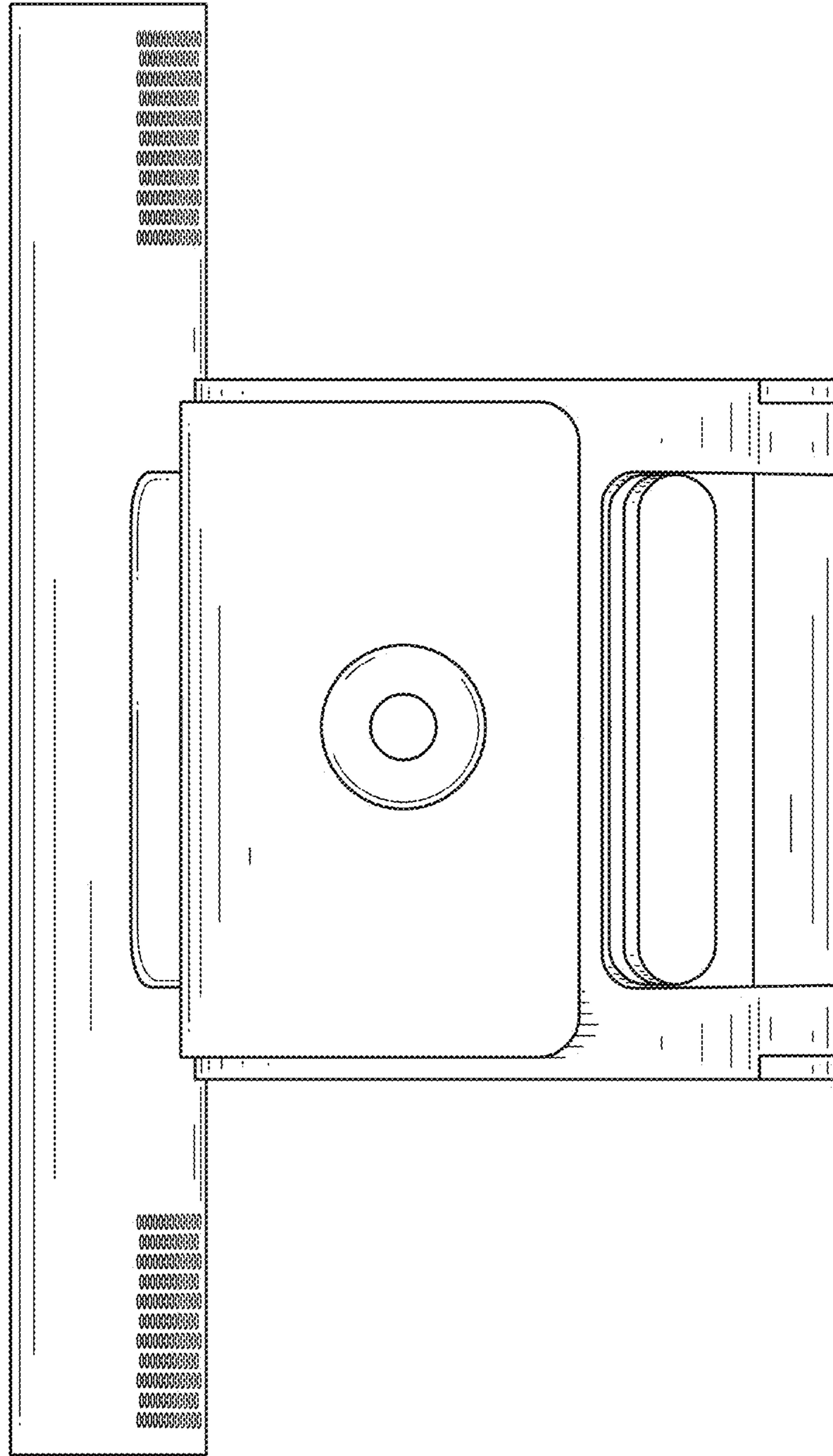


FIG. 7

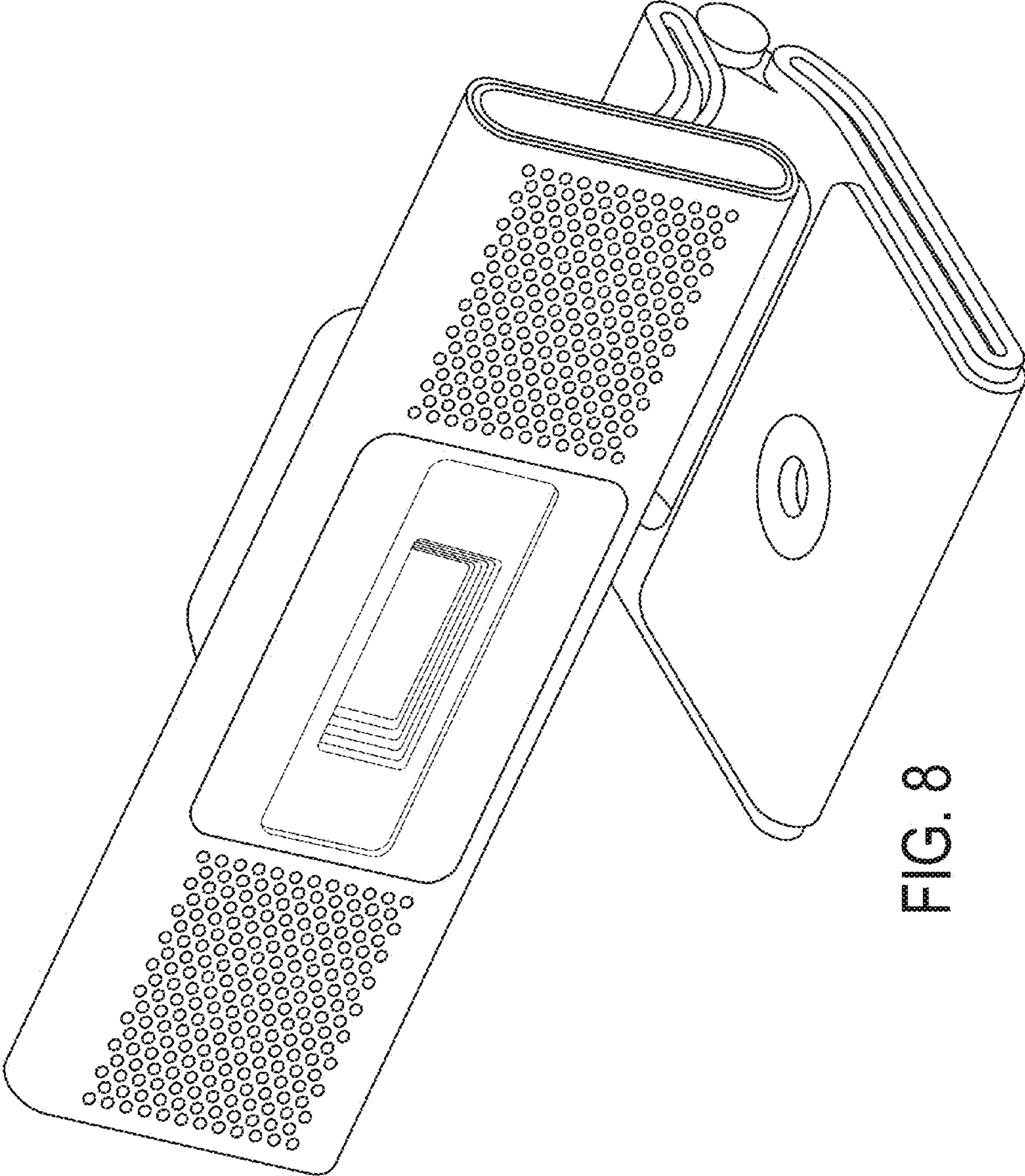


FIG. 8

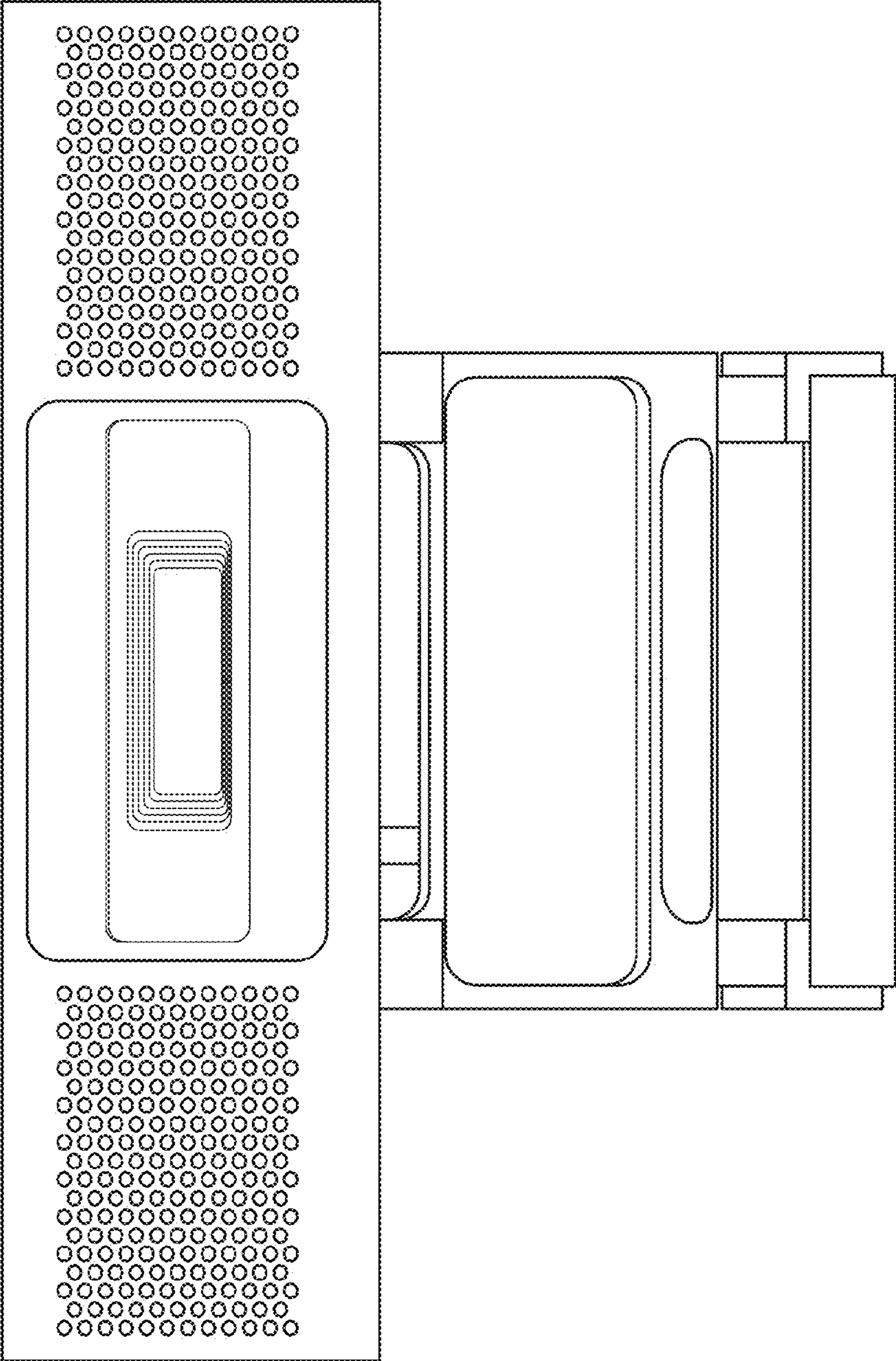


FIG. 9

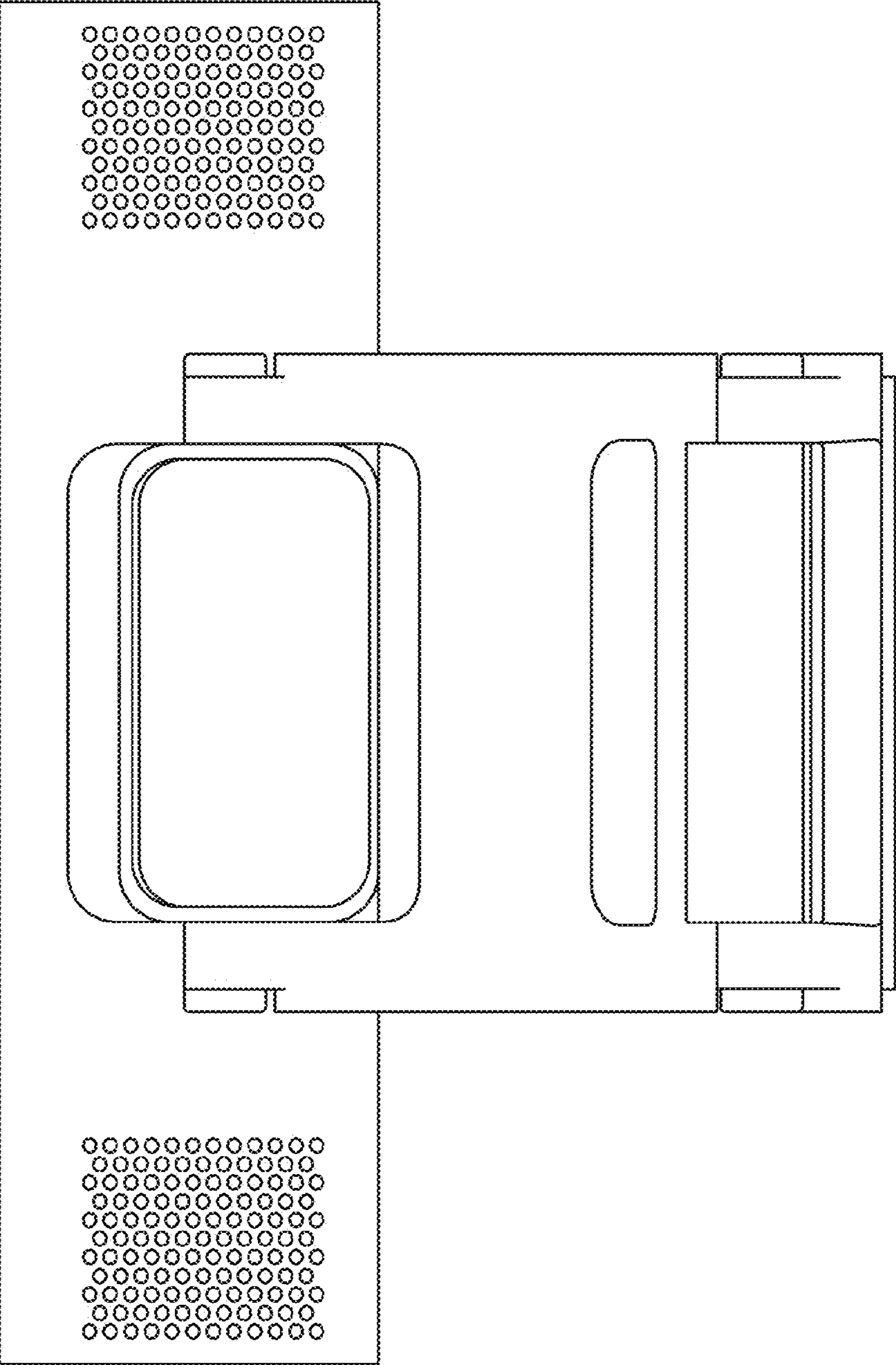


FIG. 10

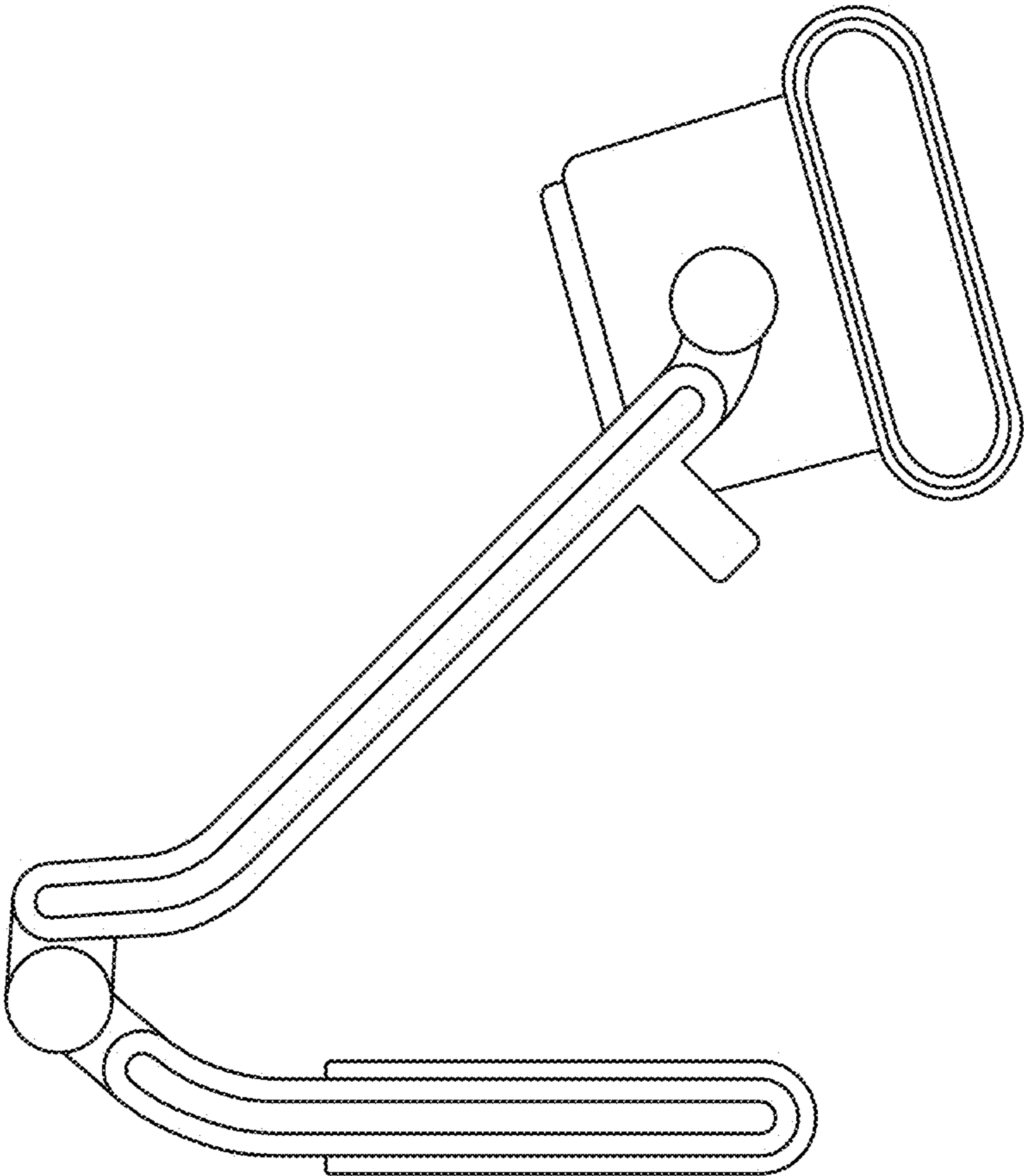


FIG. 11

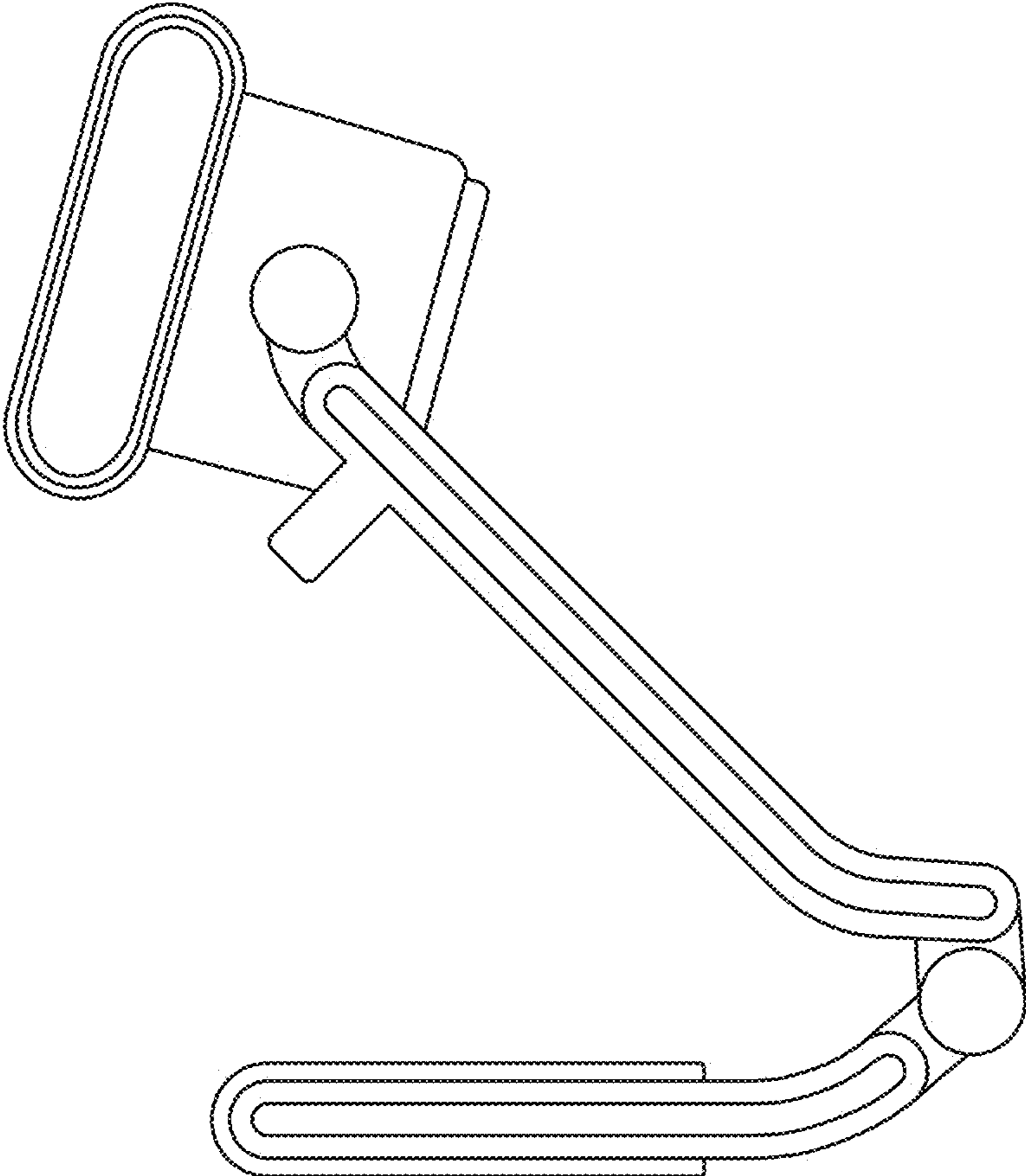


FIG. 12

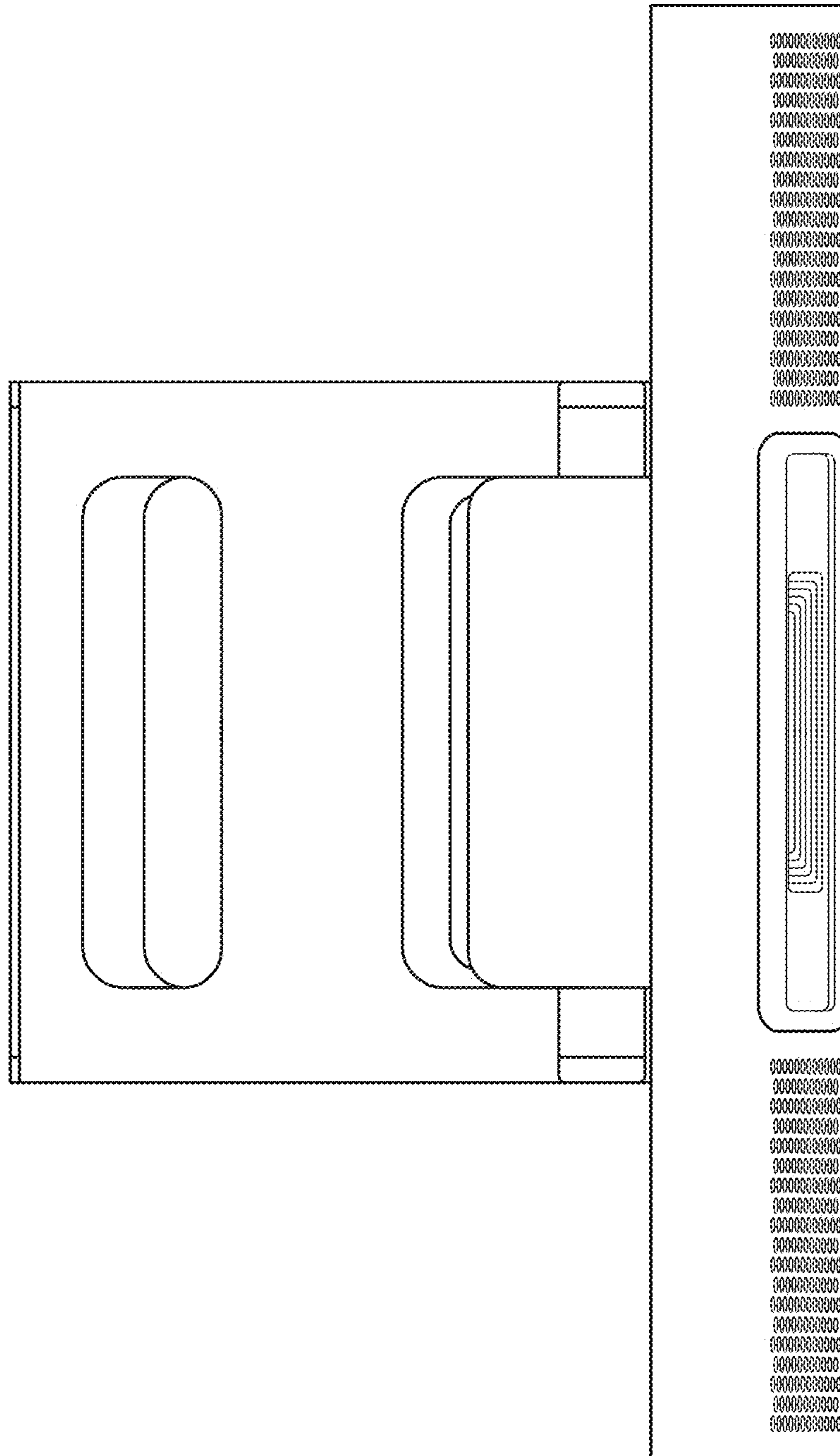


FIG. 13

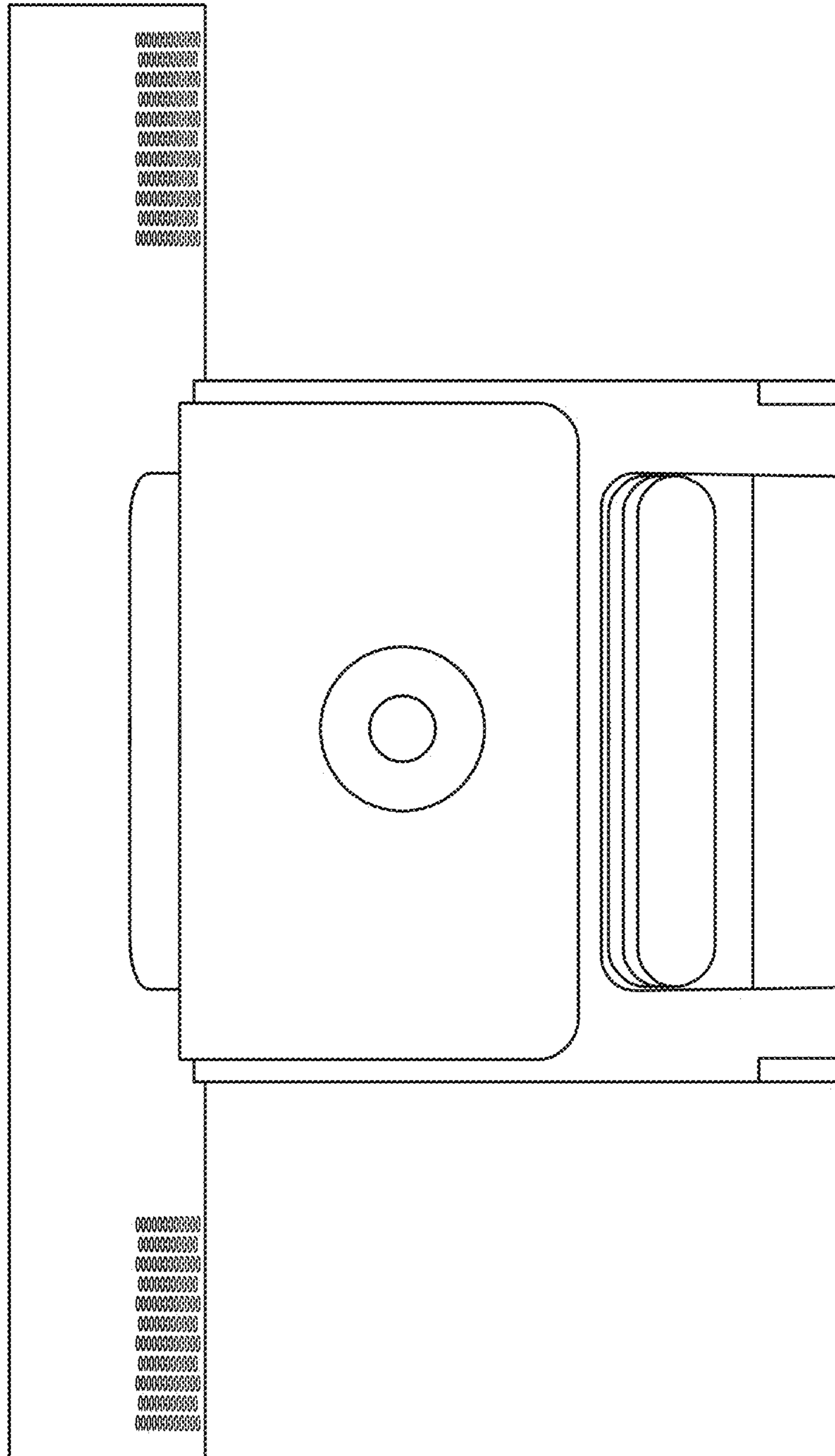


FIG. 14