



US00D680143S

(12) **United States Design Patent**
Henssler et al.

(10) **Patent No.:** **US D680,143 S**
(45) **Date of Patent:** **** Apr. 16, 2013**

(54) **VIDEO CENTRATION APPARATUS**

D451,494 S * 12/2001 Oikawa D14/214
6,384,863 B1 * 5/2002 Bronson 348/373
D496,381 S * 9/2004 McDonald D16/203

(75) Inventors: **Heinrich Henssler**, Schwaebisch
Gmuend (DE); **Martin Schultheiss**,
Schwaebisch Gmuend (DE)

(Continued)

(73) Assignee: **Carl Zeiss Vision International GmbH**,
Aalen (DE)

FOREIGN PATENT DOCUMENTS

DE 197 00 488 A1 7/1998
DE 203 02 798 U1 7/2003

(Continued)

(**) Term: **14 Years**

OTHER PUBLICATIONS

(21) Appl. No.: **29/401,486**

Visiooffice (<http://www.essilor.de/services/visiooffice/Seiten/default.aspx>); Essilor Homepage, 2009.

(22) Filed: **Sep. 12, 2011**

(Continued)

(30) **Foreign Application Priority Data**

Sep. 6, 2011 (EM) 001292163

(51) **LOC (9) CL.** **16-01**

(52) **U.S. CL.**
USPC **D16/200; D16/203; D16/214**

(58) **Field of Classification Search** D16/200,
D16/202, 203, 208, 218, 225; D14/204,
D14/214; 348/143, 373, 374, 375, 376; 396/427,
396/535, 540, 541
See application file for complete search history.

(56) **References Cited**

U.S. PATENT DOCUMENTS

D181,162 S * 10/1957 Nassour et al. D16/214
D228,578 S * 10/1973 Glaros et al. D16/214
D231,473 S * 4/1974 Shirasaki et al. D14/211
D258,444 S * 3/1981 Mineshima D16/218
D319,242 S * 8/1991 Furuno D14/204
D342,521 S * 12/1993 Sugihara et al. D14/204
D358,951 S * 6/1995 Raynor D6/421
D365,834 S * 1/1996 Dozier D16/203
D381,988 S * 8/1997 Ohba D14/214
D394,668 S * 5/1998 Iino D16/202
5,946,074 A 8/1999 Joncour et al.

Primary Examiner — Philip S Hyder

Assistant Examiner — John T Applewhite

(74) *Attorney, Agent, or Firm* — Walter Ottesen

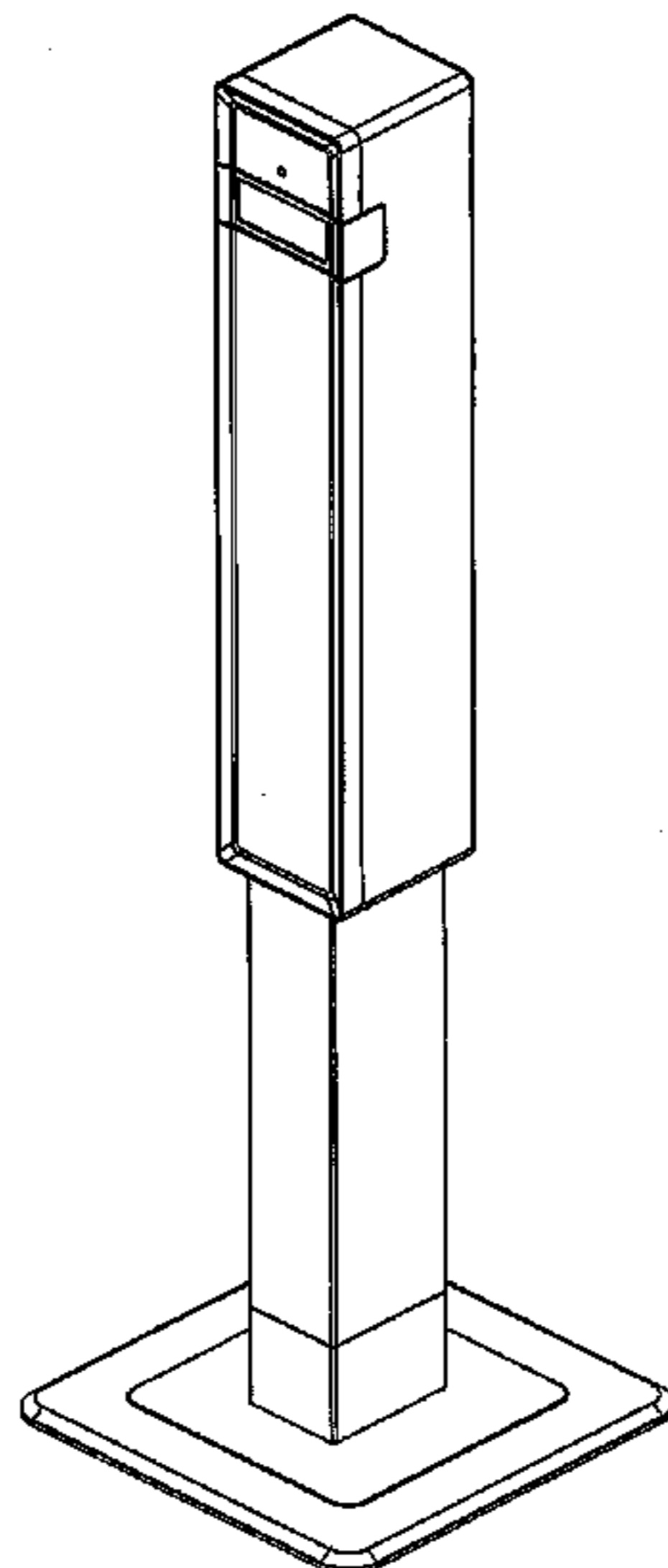
(57) **CLAIM**

The ornamental design for a video centration apparatus, as shown and described.

DESCRIPTION

FIG. 1 is a perspective view of a first embodiment of a video centration apparatus of our new design; FIG. 2 is a front elevation view of the video centration apparatus shown in FIG. 1; FIG. 3 is a right side elevation view of the video centration apparatus shown in FIG. 1; FIG. 4 is a rear elevation view of the video centration apparatus shown in FIG. 1; FIG. 5 is a left side elevation view of the video centration apparatus shown in FIG. 1; FIG. 6 is a top plan view of the video centration apparatus shown in FIG. 1; and, FIG. 7 is a bottom plan view of the video centration apparatus shown in FIG. 1.

1 Claim, 7 Drawing Sheets



US D680,143 S

Page 2

U.S. PATENT DOCUMENTS

7,113,220 B1 * 9/2006 Misawa et al. 348/376
D537,069 S * 2/2007 Ishibashi D14/214
D546,815 S * 7/2007 Schmieta et al. D14/214
D554,685 S * 11/2007 Ishikawa D16/221
D564,003 S * 3/2008 Throckmorton et al. D16/200
D565,081 S * 3/2008 Ishikawa D16/235
D578,103 S * 10/2008 Matsuoka D14/211
7,480,005 B2 * 1/2009 Jeon 348/373
D586,837 S * 2/2009 McCoin D16/218
7,646,425 B2 * 1/2010 Bohaker et al. 348/373
7,740,355 B2 * 6/2010 Sessner et al. 351/204
D620,514 S * 7/2010 Kim et al. D16/208
7,848,637 B1 * 12/2010 Liew 396/433
2002/0163621 A1 11/2002 Bar et al.
2003/0098953 A1 5/2003 Mothes
2005/0286017 A1 12/2005 Zaiser
2007/0035697 A1 2/2007 Ross-Messemer et al.
2009/0021693 A1 1/2009 Sessner et al.
2011/0007269 A1 1/2011 Trumm et al.
2011/0205487 A1 8/2011 Sauer et al.

FOREIGN PATENT DOCUMENTS

DE 20 2006 015 267 U1 12/2006
DE 10 2006 033 490 A1 1/2008

DE 10 2006 033 491 A1 1/2008
DE 10 2008 012 268 A1 9/2009
DE 10 2008 018 198 A1 10/2009
DE 10 2009 010 467 A1 9/2010
EP 1 770 431 A2 4/2007
EP 1 818 662 A1 8/2007

OTHER PUBLICATIONS

A.B.S. Smart Centration System (<http://www.smart-mirror.com/en/salons.php>); Jan. 2, 2009.

Rodenstock Impressionist, Rodenstock GmbH Homepage, 2009 (?).

Rodenstock Impressionist (ImpressionISTARAvantgarde) (http://www.rodenstock.de/rodb2c/de/de/docid-11132701090126_ImpressionIST_de.html?docPart=0), Rodenstock GmbH Homep-

age, Jan. 26, 2009.

RV Terminal 1 Stehvariante, Carl Zeiss Vision GmbH, Apr. 2005.

RV Terminal 1 Auftischvariante, Carl Zeiss Vision GmbH, Apr. 2005. (RV Terminal 2).

* cited by examiner

FIG. 1

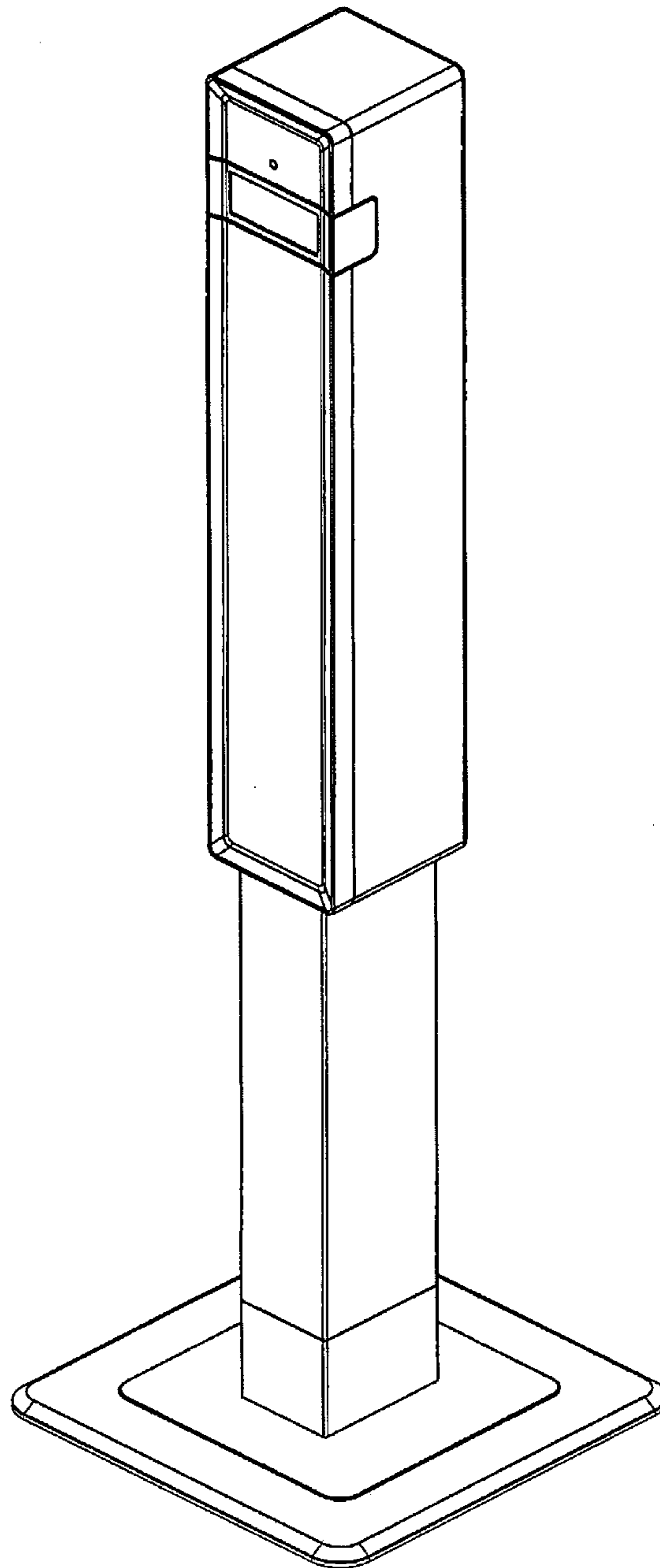


FIG. 2

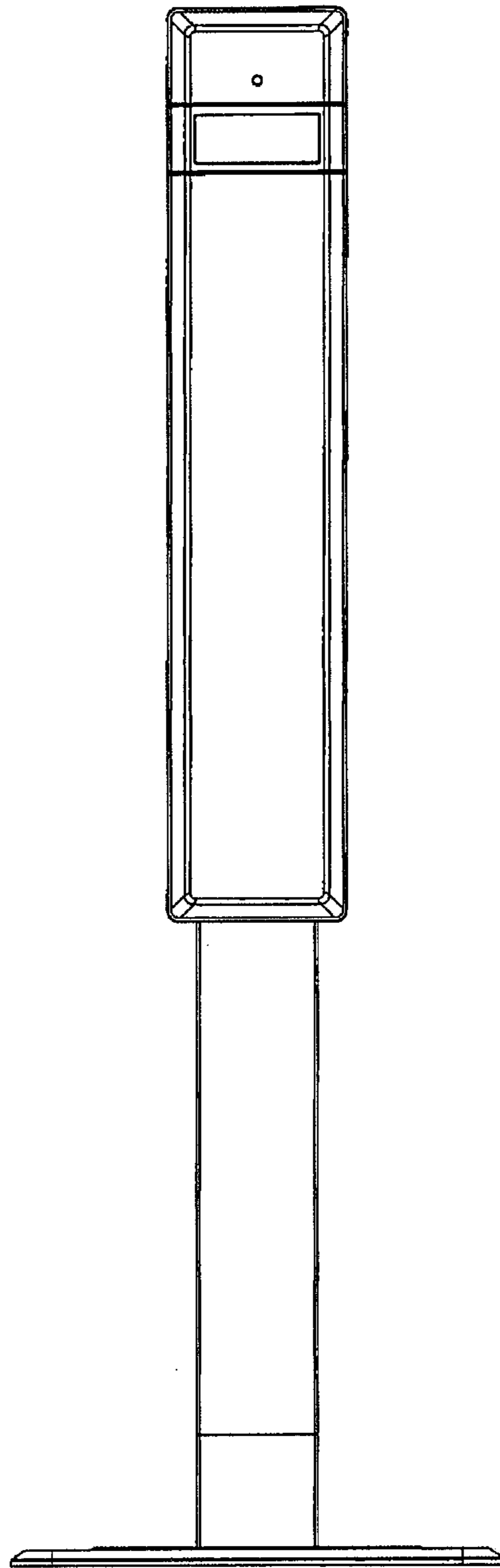


FIG. 3

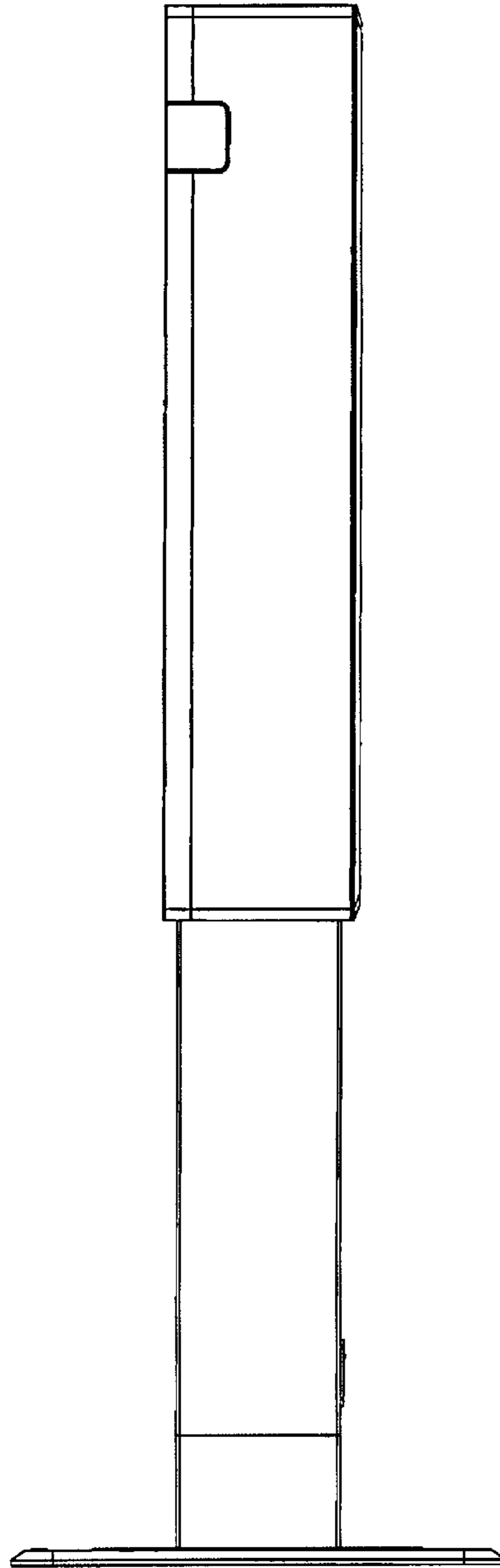


FIG. 4

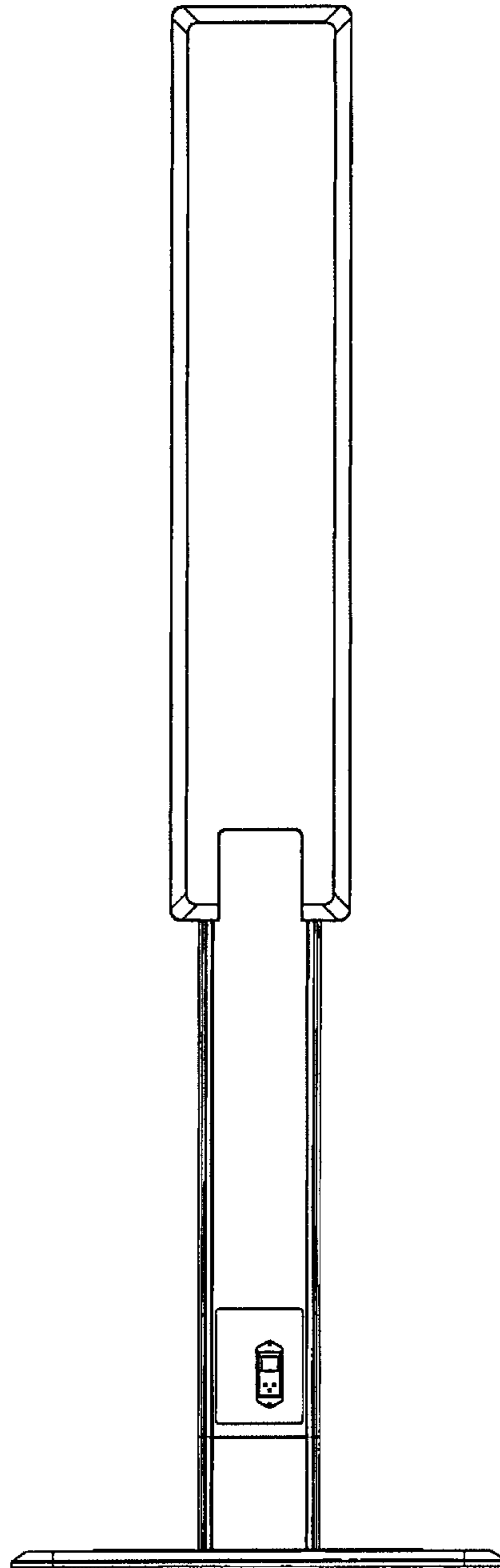


FIG. 5

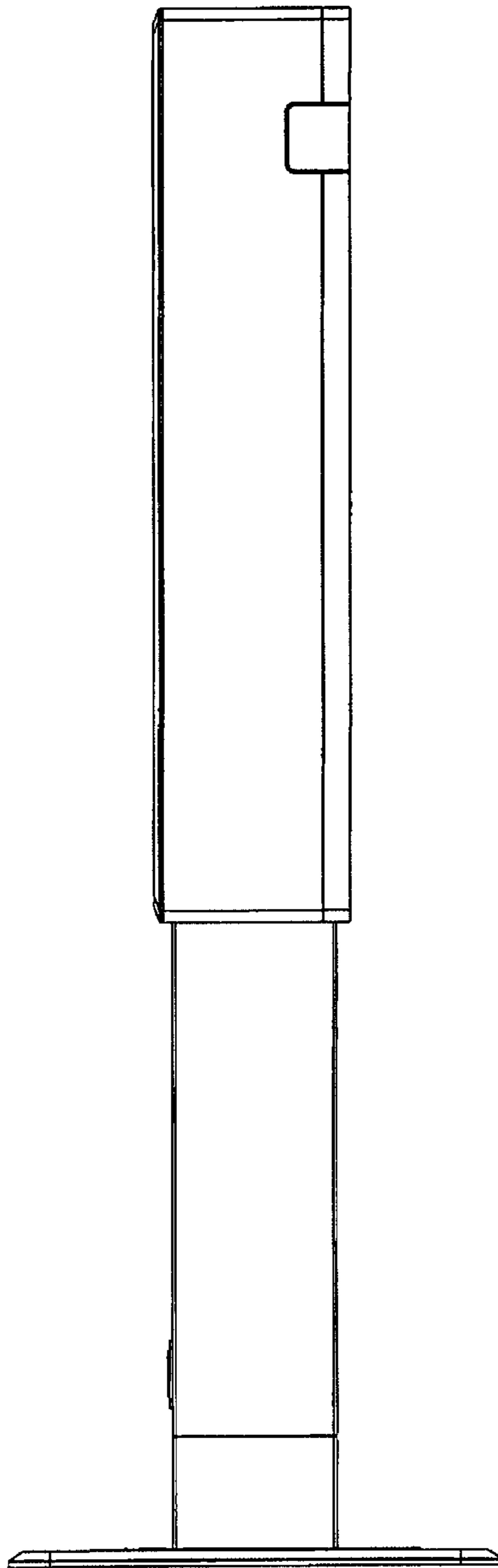


FIG. 6

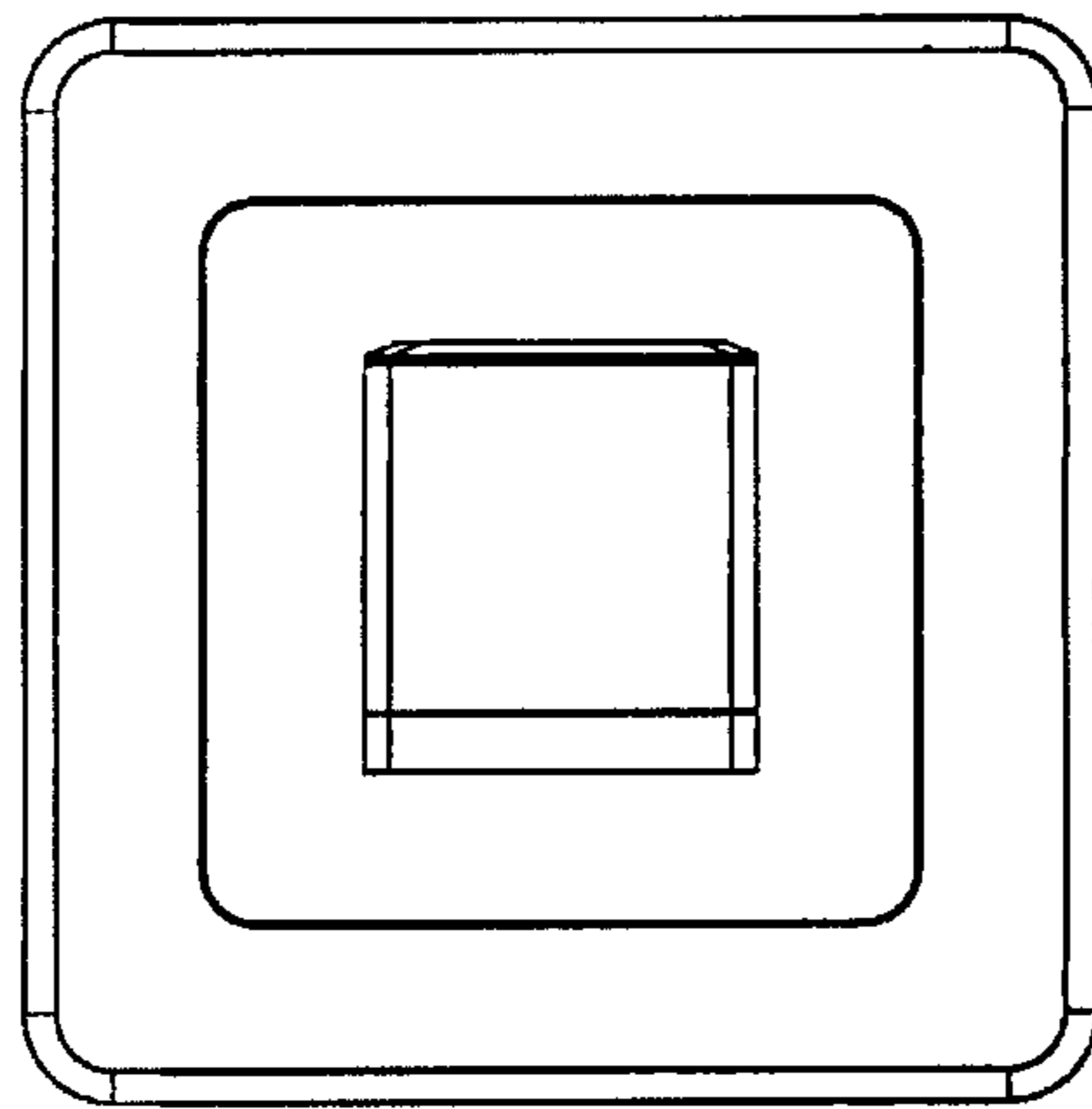


FIG. 7

