



US00D680142S

(12) **United States Design Patent**
Weiss

(10) **Patent No.:** **US D680,142 S**

(45) **Date of Patent:** **** Apr. 16, 2013**

(54) **MULTI-CAMERA HEAD**

(75) Inventor: **Mitchell Weiss**, Carlisle, MA (US)

(73) Assignee: **Seegrid Corporation**, Pittsburgh, PA (US)

(**) Term: **14 Years**

(21) Appl. No.: **29/398,127**

(22) Filed: **Jul. 26, 2011**

(51) **LOC (9) Cl.** **16-02**

(52) **U.S. Cl.**
USPC **D16/200; D16/203**

(58) **Field of Classification Search** D16/200,
D16/201, 202, 203, 204, 205, 206, 208, 221,
D16/222; 348/36, 42, 44, 46, 47, 48, 51,
348/139, 143, 208, 262, 326, 327, 328, E5.025,
348/E5.026, E7.085; 382/103, 106, 154;
396/25, 427, 433, 535, 536, 537, 538, 539,
396/540, 541

See application file for complete search history.

(56) **References Cited**

U.S. PATENT DOCUMENTS

D203,597 S *	2/1966	Newton	D16/203
D217,153 S *	4/1970	Adkins et al.	D16/203
D339,149 S *	9/1993	Nakamura et al.	D16/202
D389,848 S *	1/1998	James	D16/201
D416,032 S *	11/1999	Bakshi	D16/203
D426,250 S *	6/2000	Lefkowitz	D16/203
D445,818 S *	7/2001	Tucakov	D16/222
D508,064 S *	8/2005	Ramirez	D16/200
D524,834 S *	7/2006	Dozier et al.	D16/200
D529,528 S *	10/2006	Ross et al.	D16/200
7,190,389 B1 *	3/2007	Abe et al.	348/42
7,277,118 B2 *	10/2007	Foote	348/36
D627,814 S *	11/2010	Tzeng et al.	D16/202
D642,607 S *	8/2011	Bergstrom et al.	D16/203

8,253,777 B2 *	8/2012	Lin	348/36
8,274,550 B2 *	9/2012	Steuart, III	348/36
8,279,266 B2 *	10/2012	Theobald	348/36
2006/0013580 A1 *	1/2006	Horiguchi	396/535
2007/0013779 A1 *	1/2007	Gin et al.	348/159
2008/0084474 A1 *	4/2008	Bergstrom et al.	348/143
2009/0073308 A1 *	3/2009	Bleau et al.	348/373
2010/0165155 A1 *	7/2010	Chang	348/262
2012/0075093 A1 *	3/2012	Cheng	340/539.1
2012/0154521 A1 *	6/2012	Townsend et al.	348/36
2012/0224844 A1 *	9/2012	Chen et al.	396/535
2012/0242785 A1 *	9/2012	Sasagawa et al.	348/36

* cited by examiner

Primary Examiner — Philip S Hyder

Assistant Examiner — John T Applewhite

(74) *Attorney, Agent, or Firm* — Onello & Mello, LLP

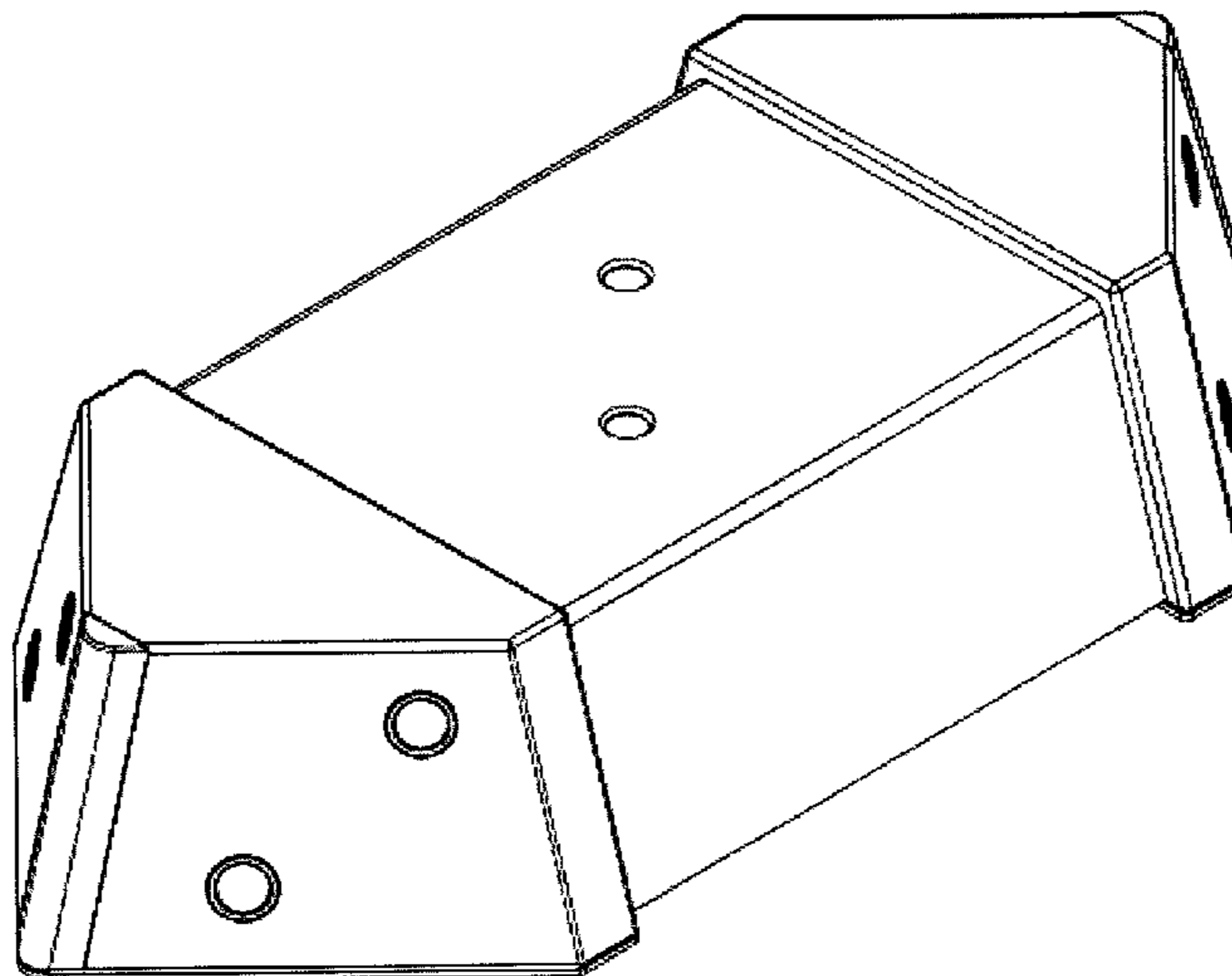
(57) **CLAIM**

An ornamental design for a multi-camera head, as shown and described.

DESCRIPTION

FIG. 1 is a perspective view of a multi-camera head, showing two wedge-shaped camera heads separated by an intermediate body, in accordance with aspects of the present invention; FIG. 2 is a top view of the multi-camera head of FIG. 1, showing a stereo camera, i.e., a pair of cameras, on a top surface of the intermediate body, in accordance with aspects of the present invention; FIG. 3 is a side view of the multi-camera head of FIG. 1, showing one stereo camera on an upright surface of each wedge-shaped head, in accordance with aspects of the present invention; and, FIG. 4 is a front view of the multi-camera head of FIG. 1, showing a stereo camera on each of two upright surfaces of a wedge-shaped head, in accordance with aspects of the present invention.

1 Claim, 3 Drawing Sheets



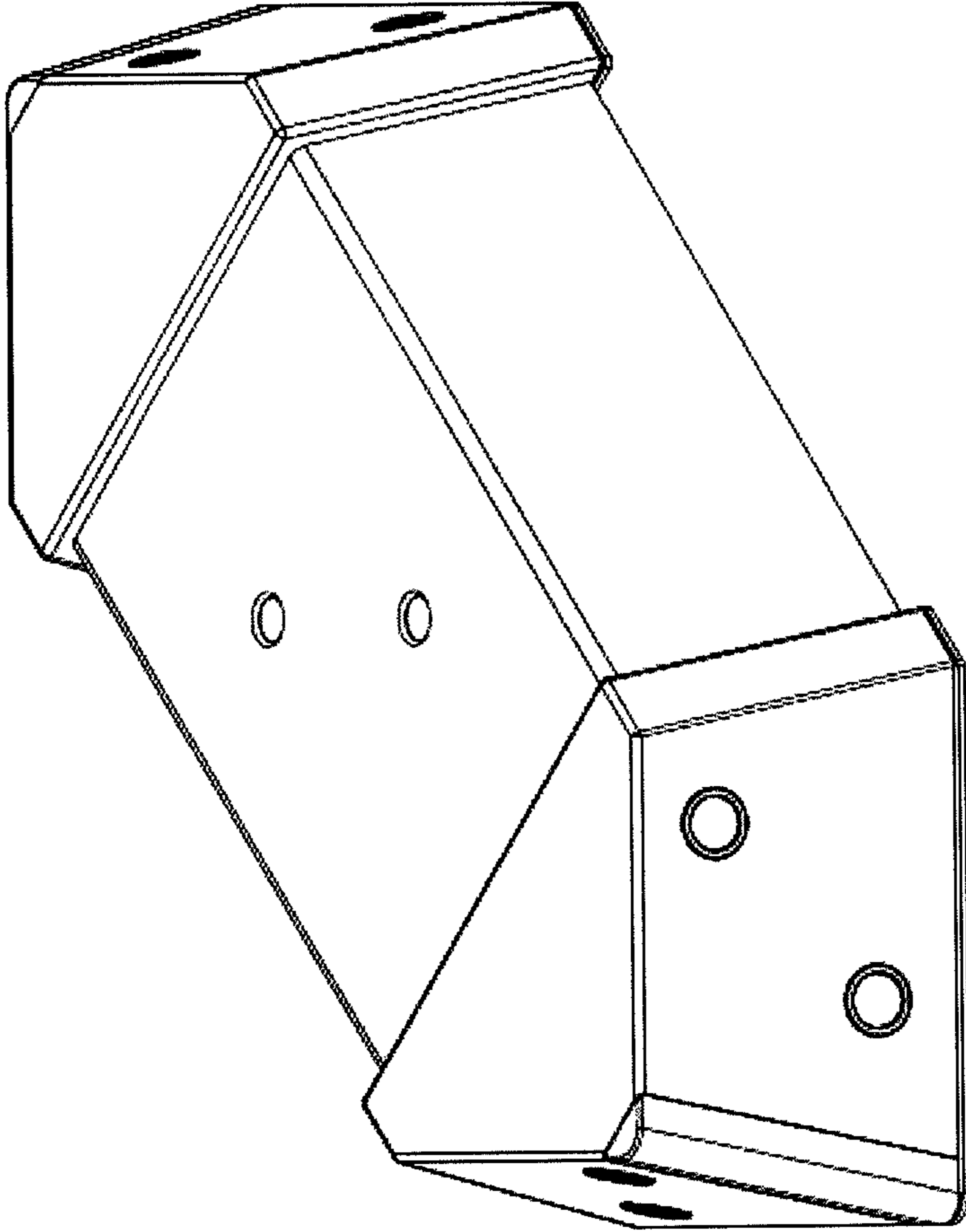


FIG. 1

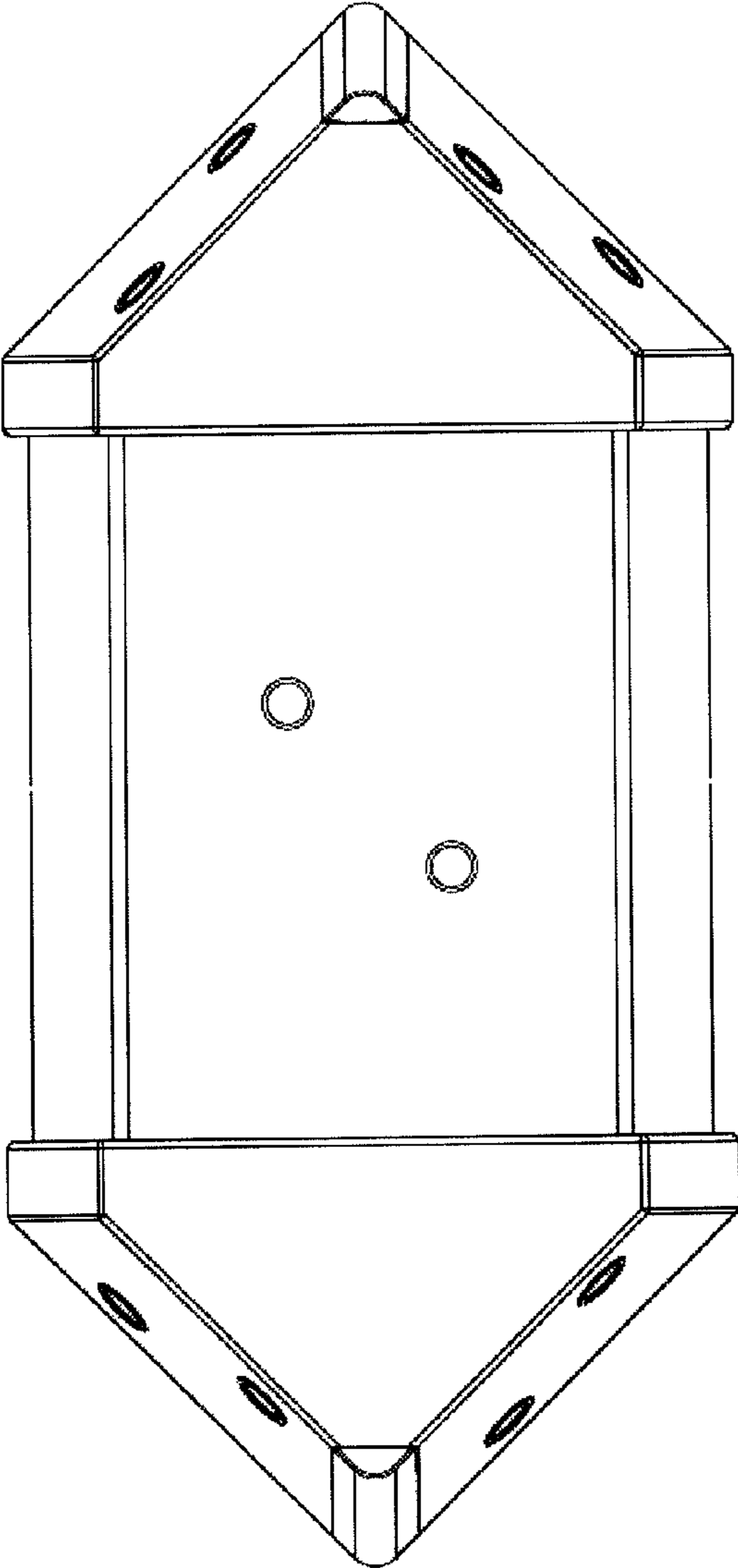


FIG. 2

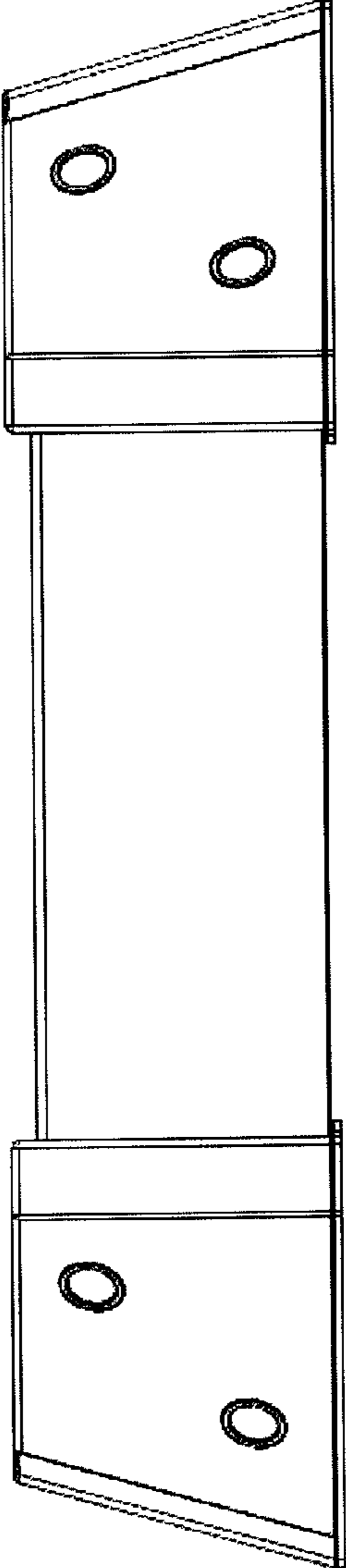


FIG. 3

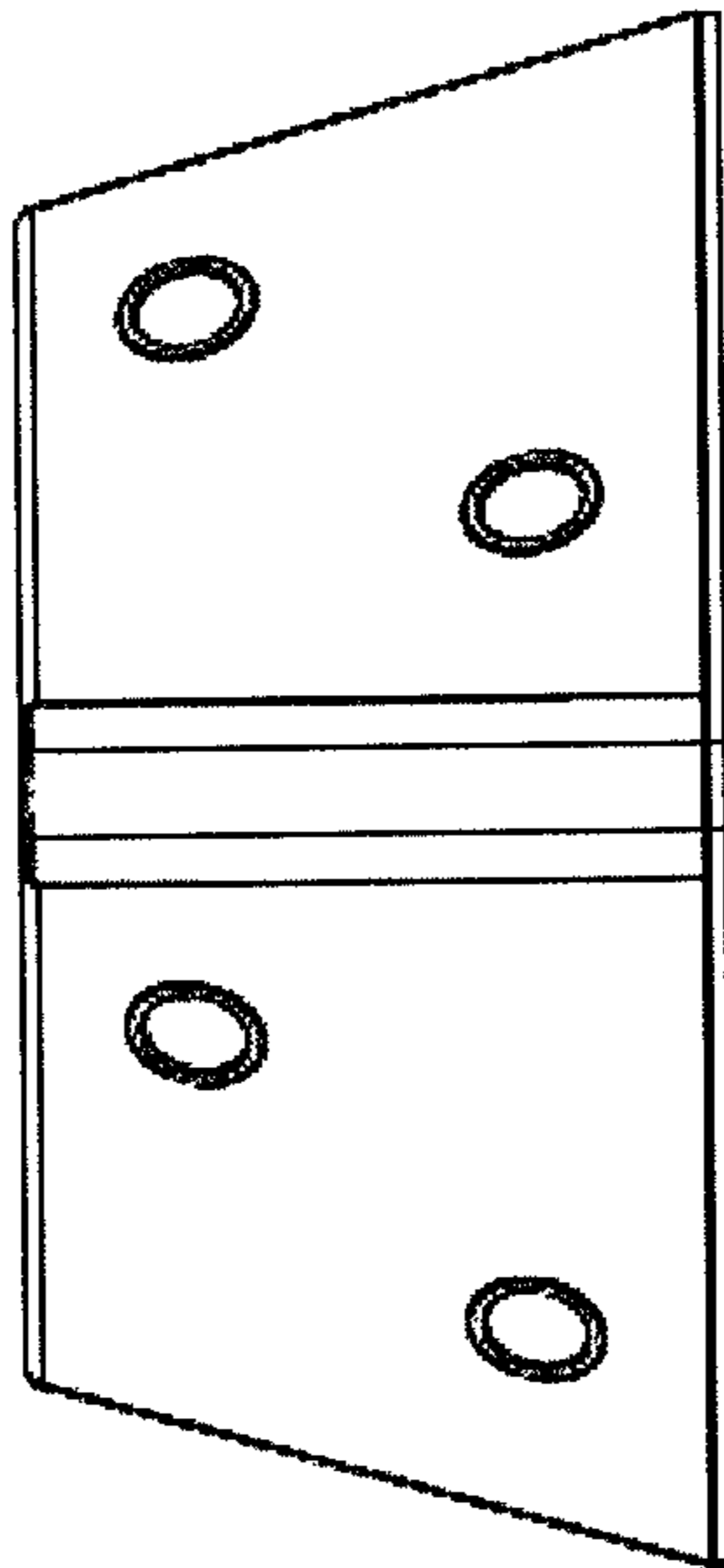


FIG. 4