



US00D680141S

(12) **United States Design Patent**
Sannomiya

(10) **Patent No.:** **US D680,141 S**

(45) **Date of Patent:** **** Apr. 16, 2013**

(54) **MOTOR ACTUATOR**

(75) Inventor: **Takashi Sannomiya**, Tokyo (JP)

(73) Assignee: **TGK Co., Ltd.**, Hachioji-shi, Tokyo (JP)

(**) Term: **14 Years**

(21) Appl. No.: **29/432,418**

(22) Filed: **Sep. 14, 2012**

(30) **Foreign Application Priority Data**

Apr. 27, 2012 (JP) 2012-010062

(51) **LOC (9) Cl.** **15-09**

(52) **U.S. Cl.**
USPC **D15/148**

(58) **Field of Classification Search** D13/158,
D13/162, 171, 174, 184; D15/5, 7, 9, 143,
D15/148, 199; 29/359, 596, 883, 884; 74/71,
74/83, 89.15, 112, 411.5, 490.09; 251/129.11;
297/14, 325, 327; 310/10, 12, 15, 20, 71,
310/80, 83, 89, 112, 300; 475/149, 249,
475/343

See application file for complete search history.

(56) **References Cited**

U.S. PATENT DOCUMENTS

5,777,410 A * 7/1998 Asakura et al. 310/71
5,937,507 A * 8/1999 Asakura et al. 29/596
6,028,384 A * 2/2000 Billman et al. 310/83

6,712,727 B2 * 3/2004 Kujira et al. 475/149
D587,661 S * 3/2009 Blakesley D13/174
D614,148 S * 4/2010 Crites D13/174
D620,961 S * 8/2010 Iversen D15/143
D660,891 S * 5/2012 Sannomiya D15/143
2002/0111241 A1 * 8/2002 Kujira et al. 475/149
2008/0224553 A1 * 9/2008 Abe et al. 310/71
2009/0115270 A1 * 5/2009 Huang et al. 310/71

* cited by examiner

Primary Examiner — Patricia Palasik

(74) *Attorney, Agent, or Firm* — Westerman, Hattori,
Daniels & Adrian, LLP

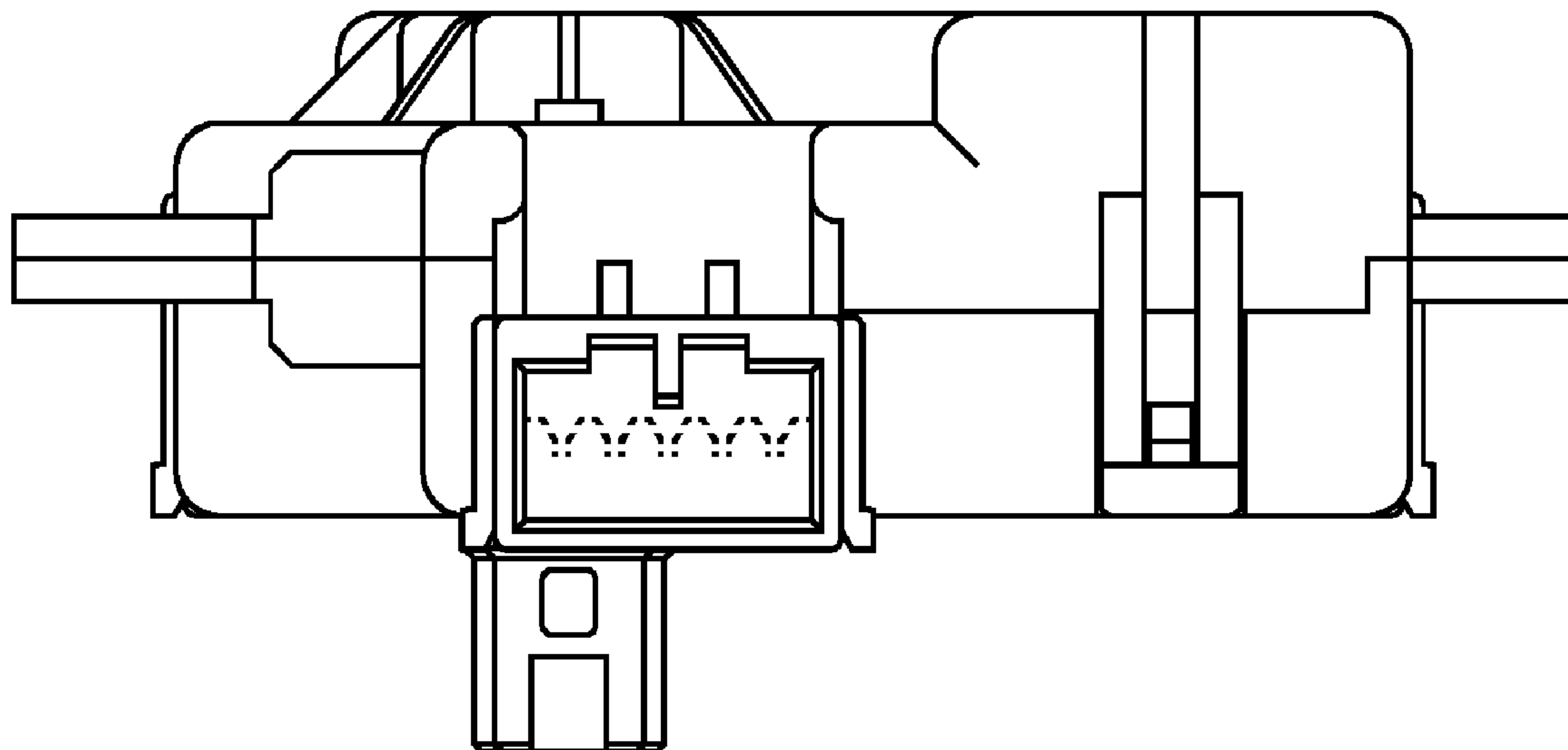
(57) **CLAIM**

The ornamental design for a motor actuator, as shown and described.

DESCRIPTION

FIG. 1 is a front view of a motor actuator.
FIG. 2 is a rear view of the motor actuator.
FIG. 3 is a left side view of the motor actuator.
FIG. 4 is a right side view of the motor actuator.
FIG. 5 is a top plan view of the motor actuator.
FIG. 6 is a bottom plan view of the motor actuator.
FIG. 7 is a perspective view showing the front, plane, and right side of the motor actuator; and,
FIG. 8 is a perspective view showing the rear, right side, and bottom of the motor actuator.
The broken lines illustrate environmental structure only and form no part of the claimed design.

1 Claim, 8 Drawing Sheets



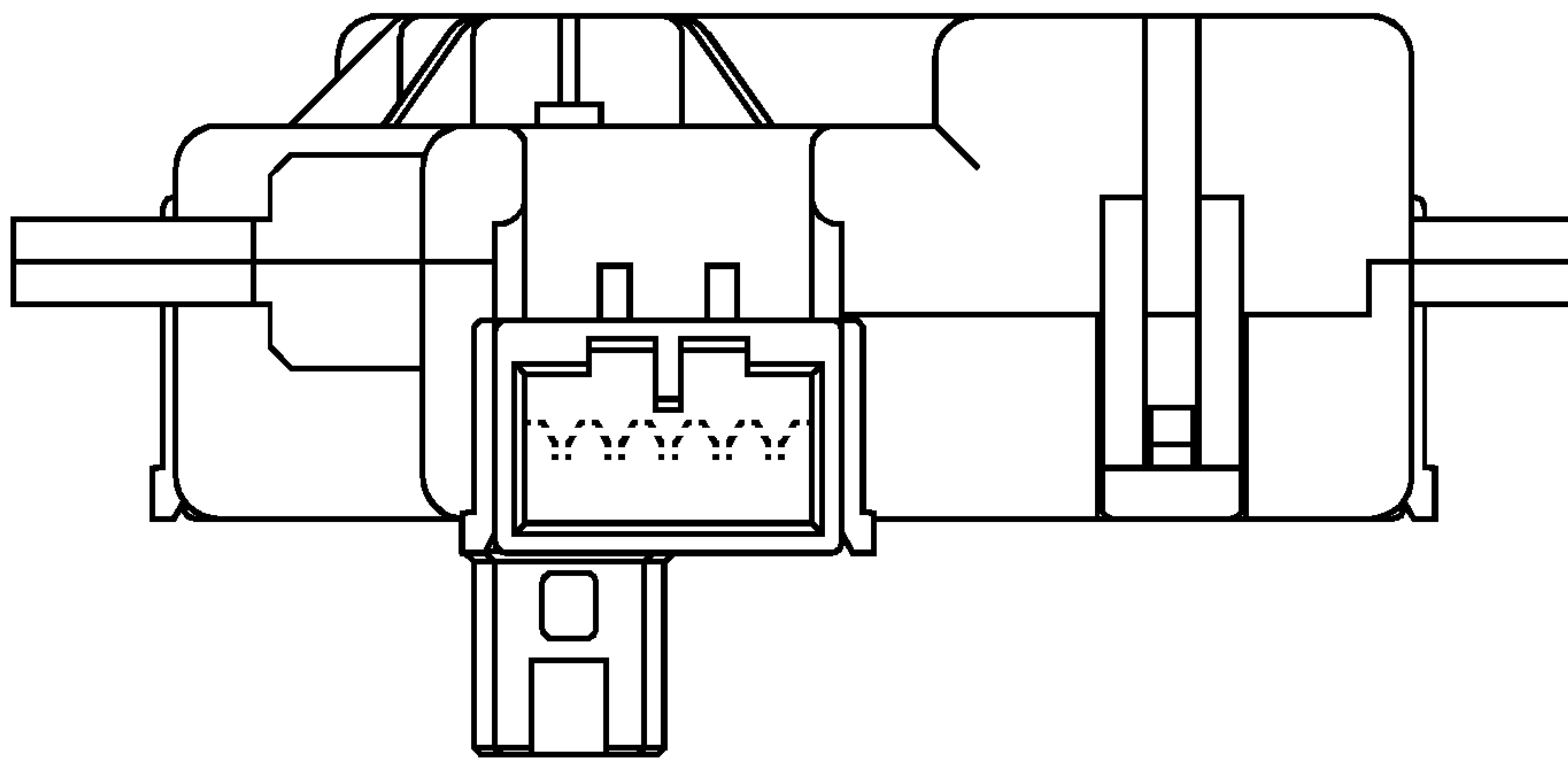


FIG. 1

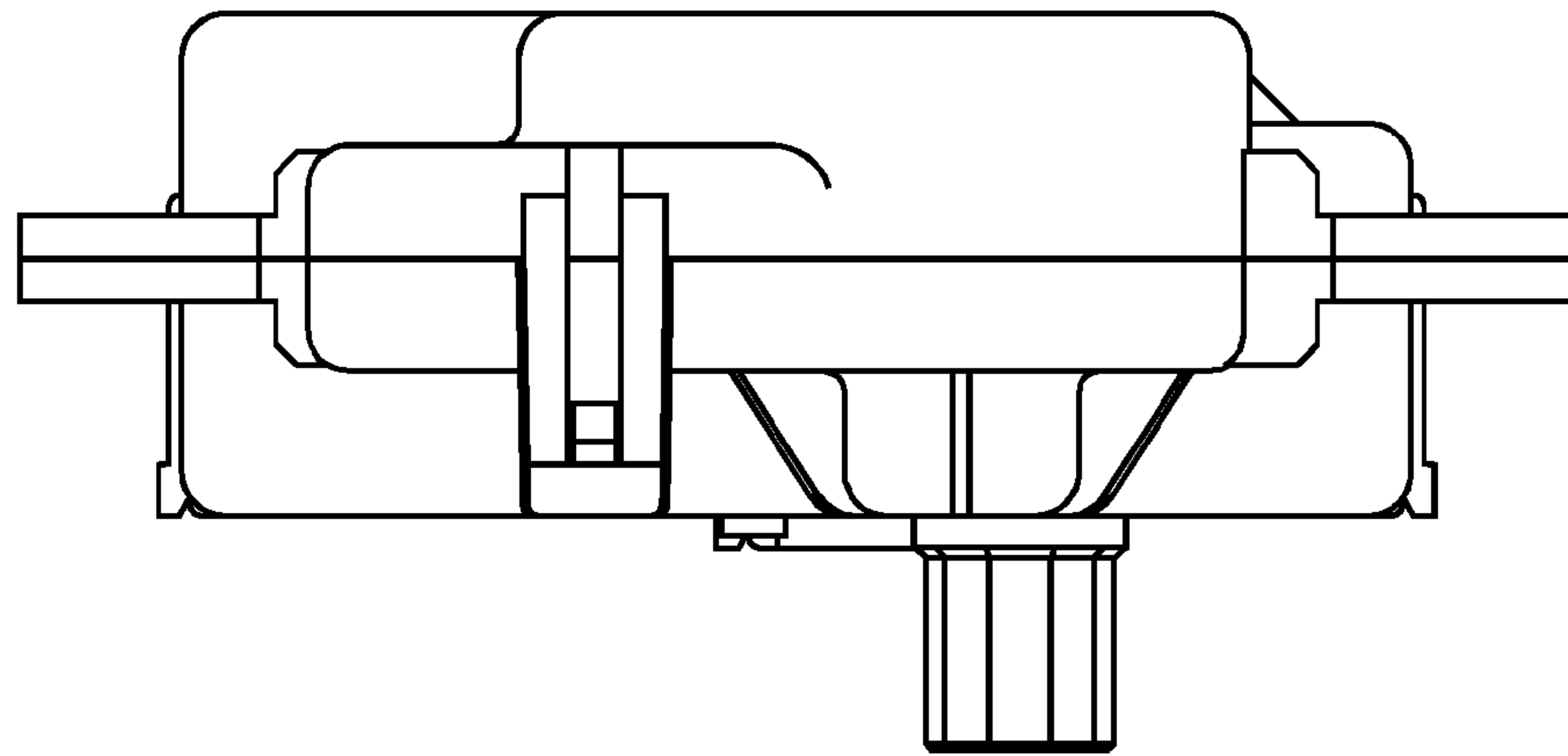


FIG. 2

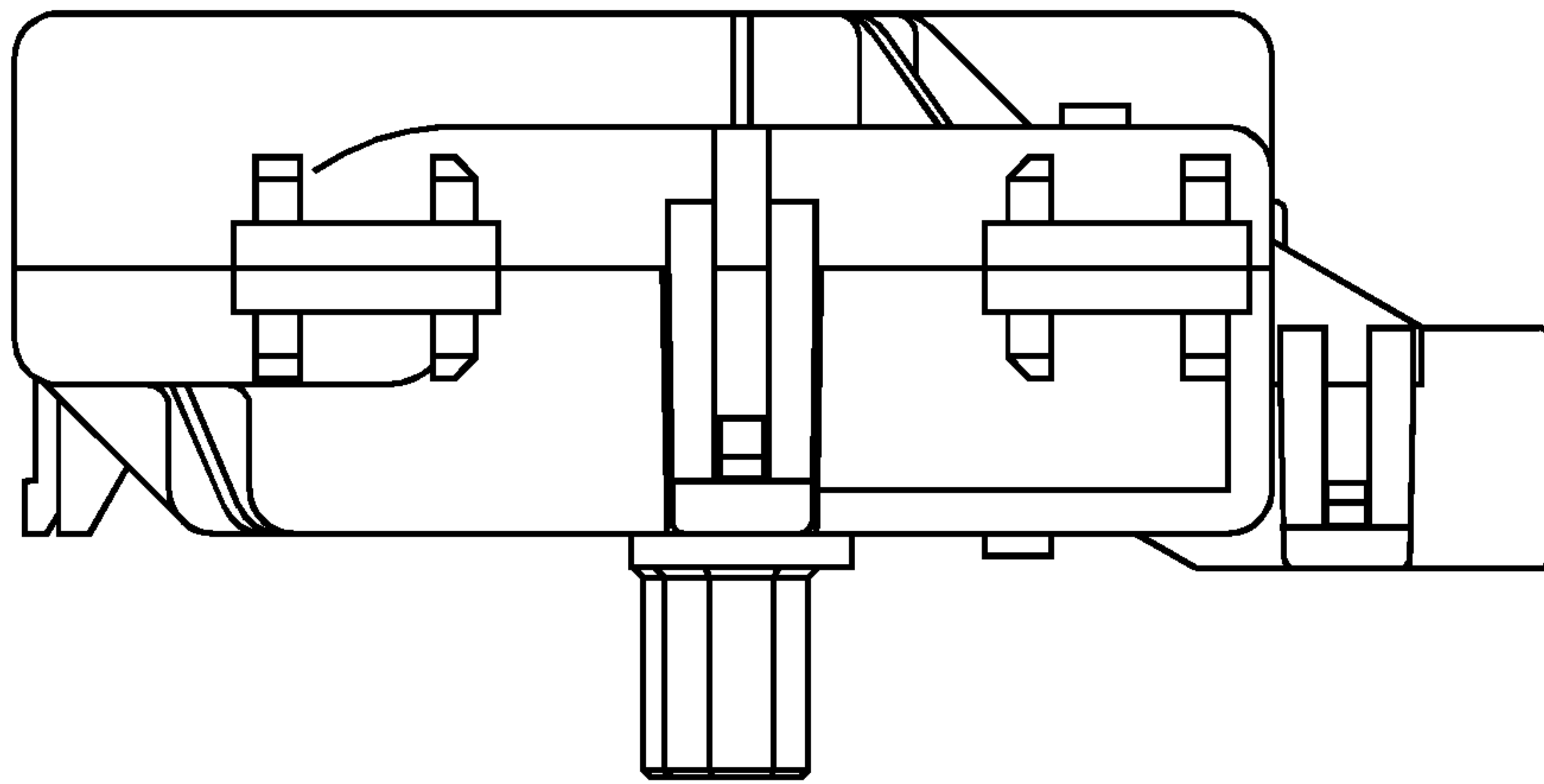


FIG. 3

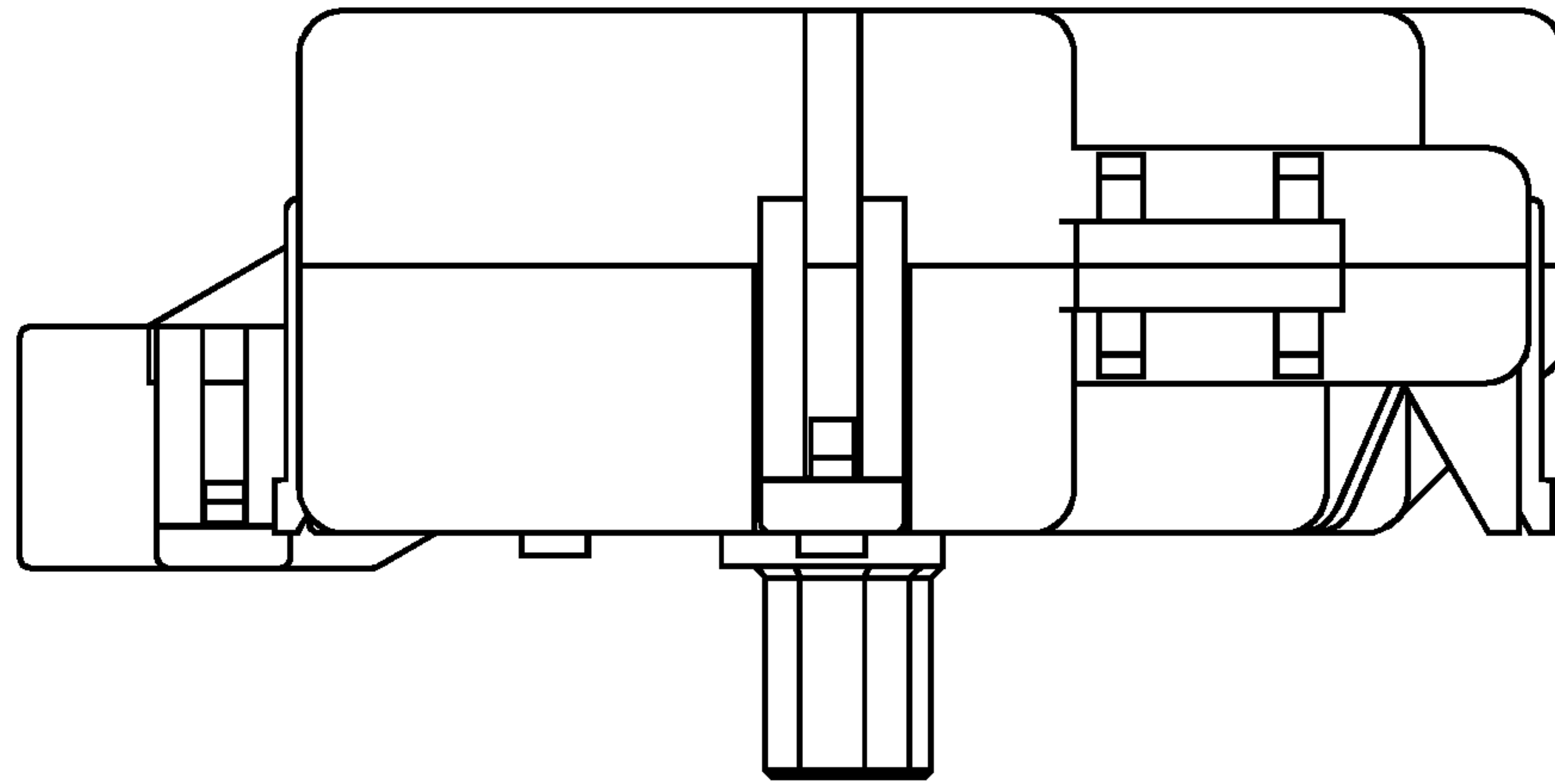


FIG. 4

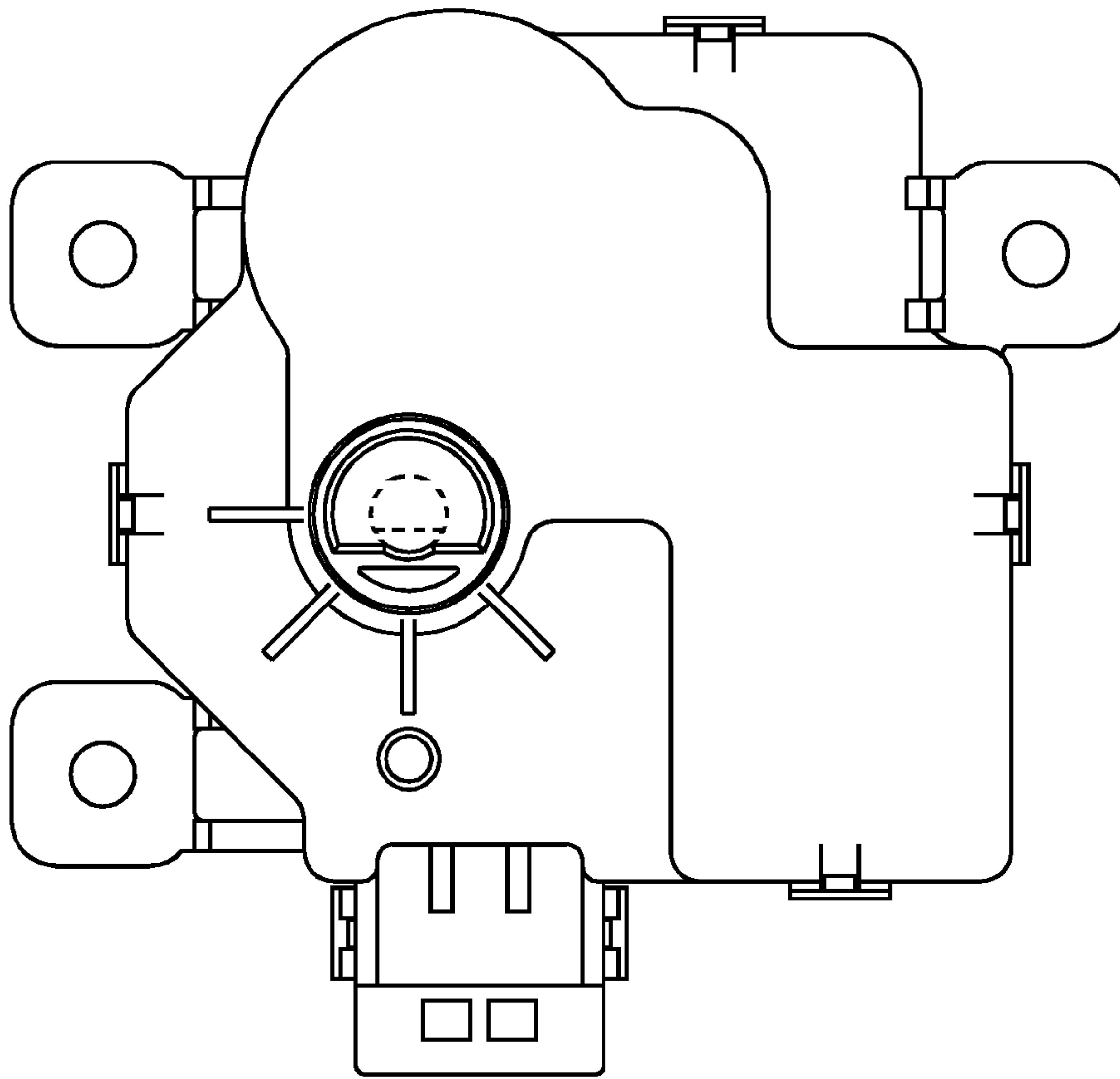


FIG. 5

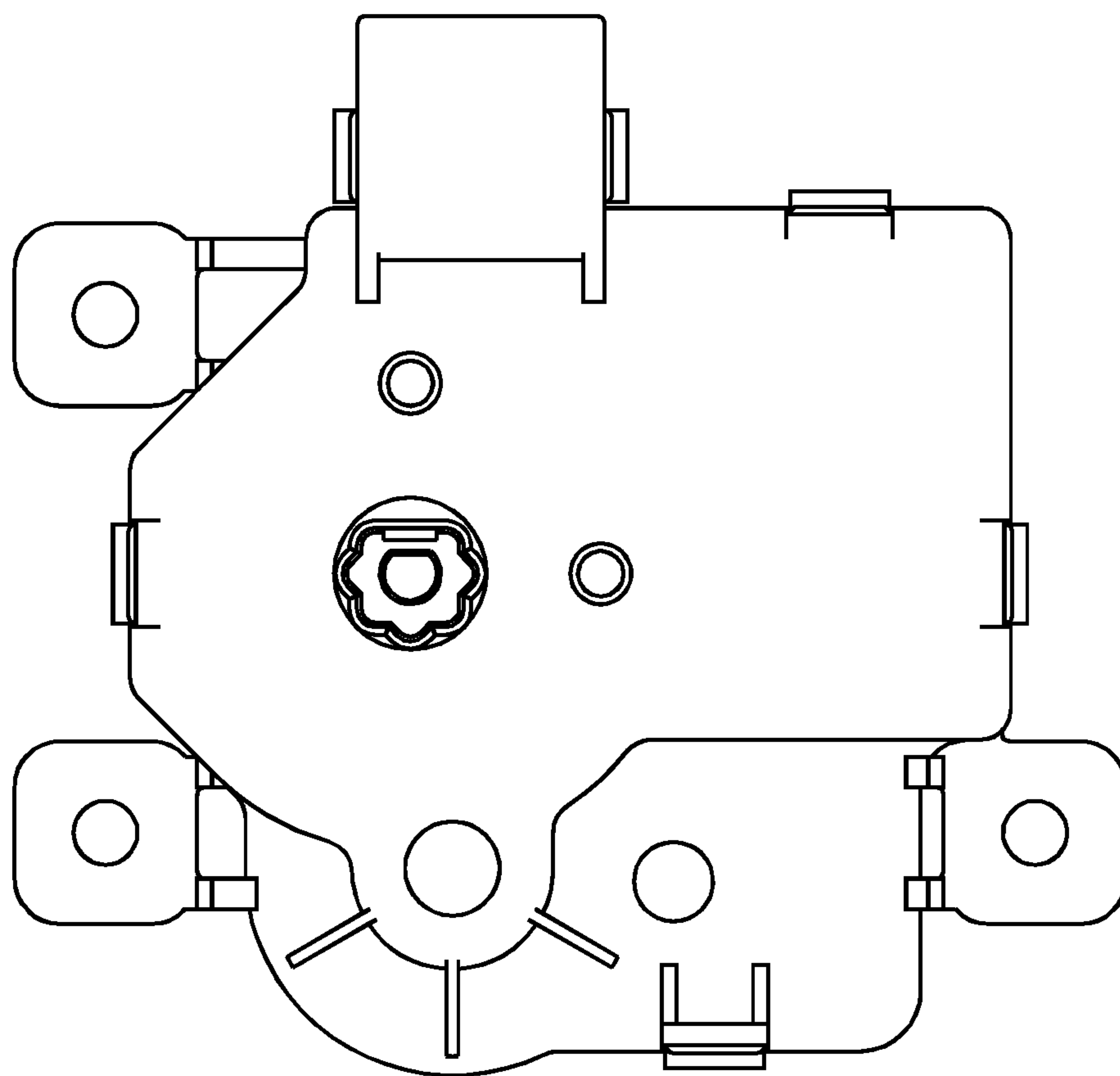


FIG. 6

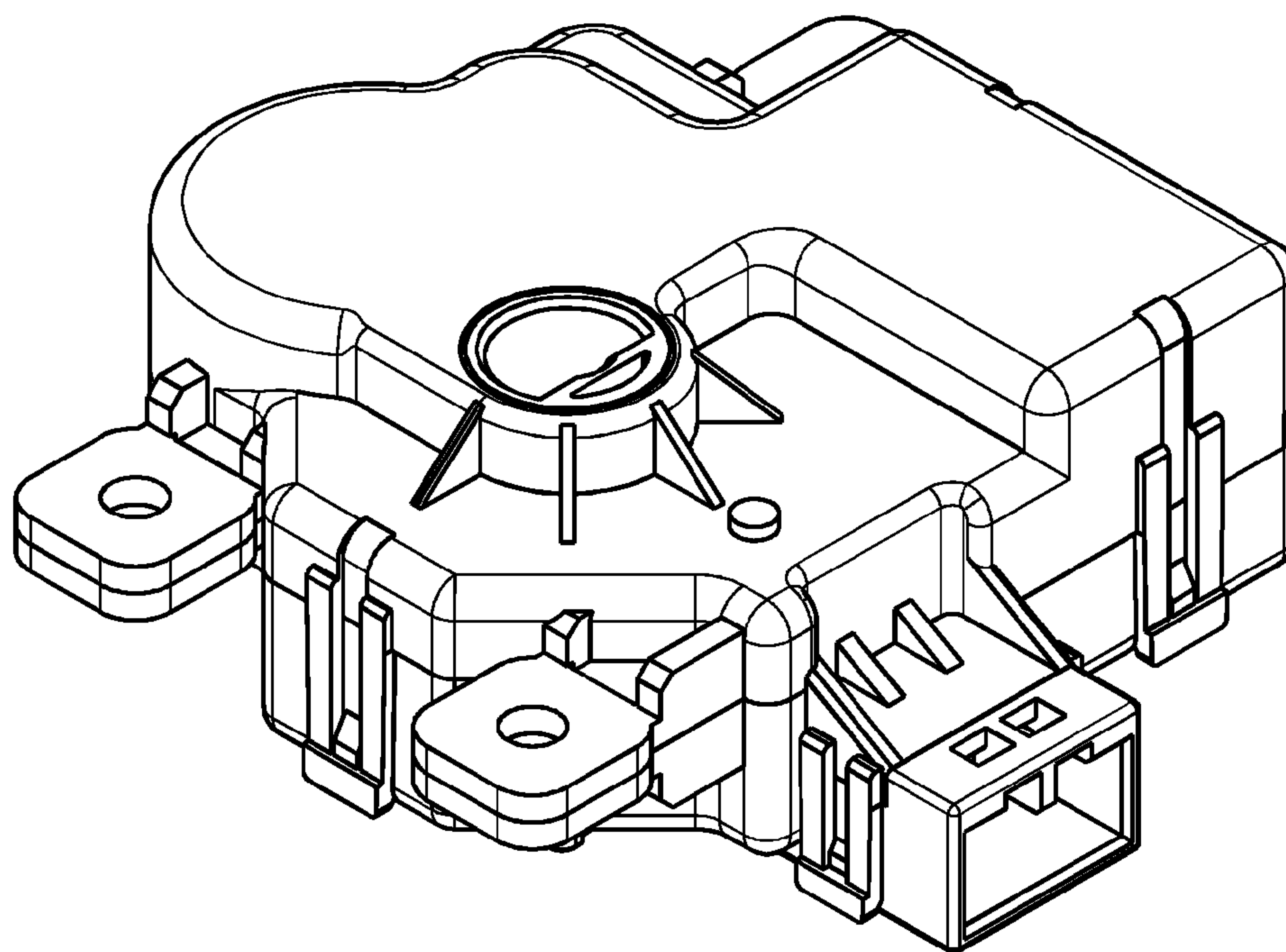


FIG. 7

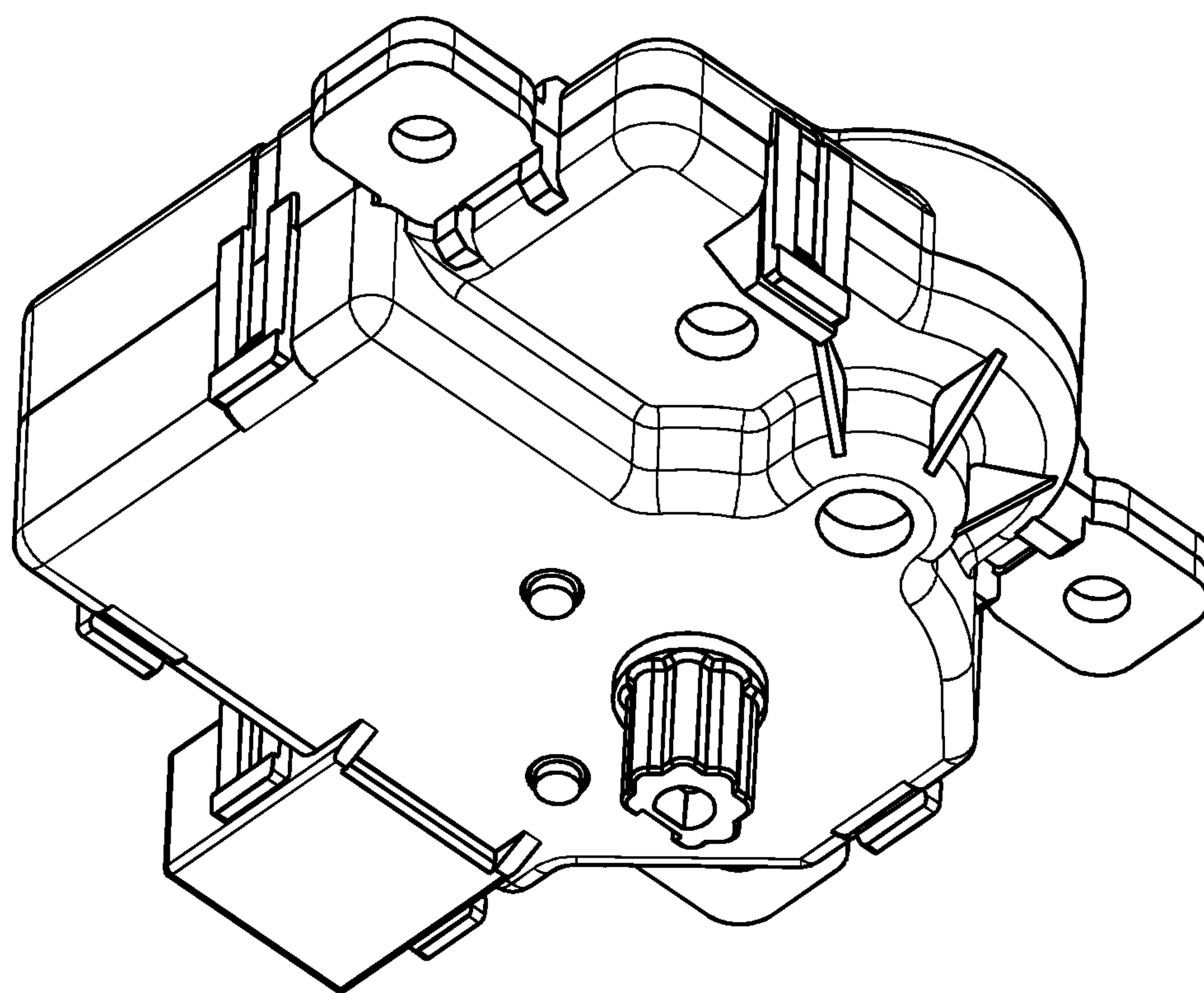


FIG. 8