



US00D680136S

(12) **United States Design Patent**
Tsukamoto et al.

(10) **Patent No.:** **US D680,136 S**
(45) **Date of Patent:** **** Apr. 16, 2013**

(54) **COUNTERWEIGHT FOR CONSTRUCTION MACHINE**

(75) Inventors: **Hironori Tsukamoto**, Hiroshima (JP);
Kenji Kawamoto, Hiroshima (JP);
Shintaro Sakitani, Hiroshima (JP);
Kaoru Adachi, Hiroshima (JE); **Hiroshi Kanamaru**, Hiroshima (JP)

(73) Assignee: **Kobelco Construction Machinery Co., Ltd.**, Hiroshima-shi (JP)

(**) Term: **14 Years**

(21) Appl. No.: **29/431,776**

(22) Filed: **Sep. 11, 2012**

(30) **Foreign Application Priority Data**

Apr. 24, 2012 (JP) D2012-009519

(51) **LOC (9) Cl.** **15-03**

(52) **U.S. Cl.**
USPC **D15/28**

(58) **Field of Classification Search** D15/10,
D15/22-26, 28, 30, 33; 296/193.03, 193.08;
172/611, 776; 180/69.24, 89.1, 89.12, 89.13,
180/900, 326; 37/443, 379; 414/601, 602,
414/685, 687, 688, 694, 722-724, 699, 680,
414/698, 719, 743

See application file for complete search history.

(56) **References Cited**

U.S. PATENT DOCUMENTS

5,715,615	A *	2/1998	Murakami et al.	37/379
D393,268	S *	4/1998	Tachinou et al.	D15/28
D440,236	S *	4/2001	Kraft et al.	D15/28
6,502,896	B1 *	1/2003	Nakata et al.	296/190.05
D490,444	S *	5/2004	Kuwae	D15/33
D506,211	S *	6/2005	Kuwae et al.	D15/33
7,036,251	B2 *	5/2006	Kojima et al.	37/466
D528,568	S *	9/2006	Kuwae et al.	D15/28
D559,279	S *	1/2008	Sakitani et al.	D15/28
D579,465	S *	10/2008	Ochi et al.	D15/28
D582,947	S *	12/2008	Ueta et al.	D15/28
D587,285	S *	2/2009	Murakami et al.	D15/28
D632,703	S *	2/2011	Buhr et al.	D15/28
2004/0200100	A1 *	10/2004	Kojima et al.	37/348

* cited by examiner

Primary Examiner — Mark Goodwin

(74) *Attorney, Agent, or Firm* — Birch, Stewart, Kolasch & Birch, LLP

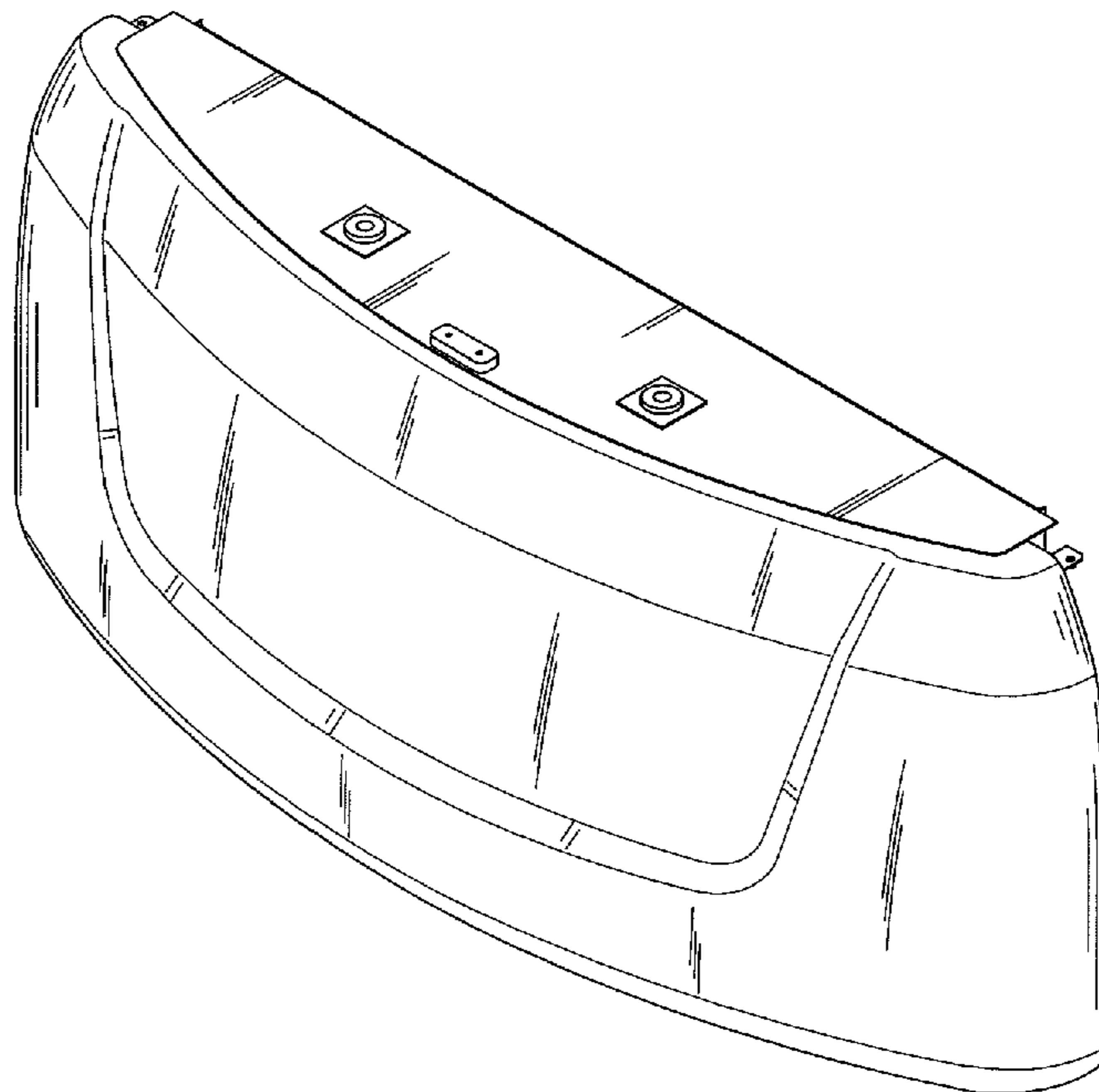
(57) **CLAIM**

The ornamental design for a counterweight for construction machine, as shown and described.

DESCRIPTION

FIG. 1 is a first perspective view of a counterweight for construction machine showing our new design;
FIG. 2 is a second perspective view thereof;
FIG. 3 is a front view thereof;
FIG. 4 is a rear view thereof;
FIG. 5 is a left side view thereof, the opposite side being a mirror image of the side shown herein;
FIG. 6 is a top view thereof; and,
FIG. 7 is a bottom view thereof.

1 Claim, 4 Drawing Sheets



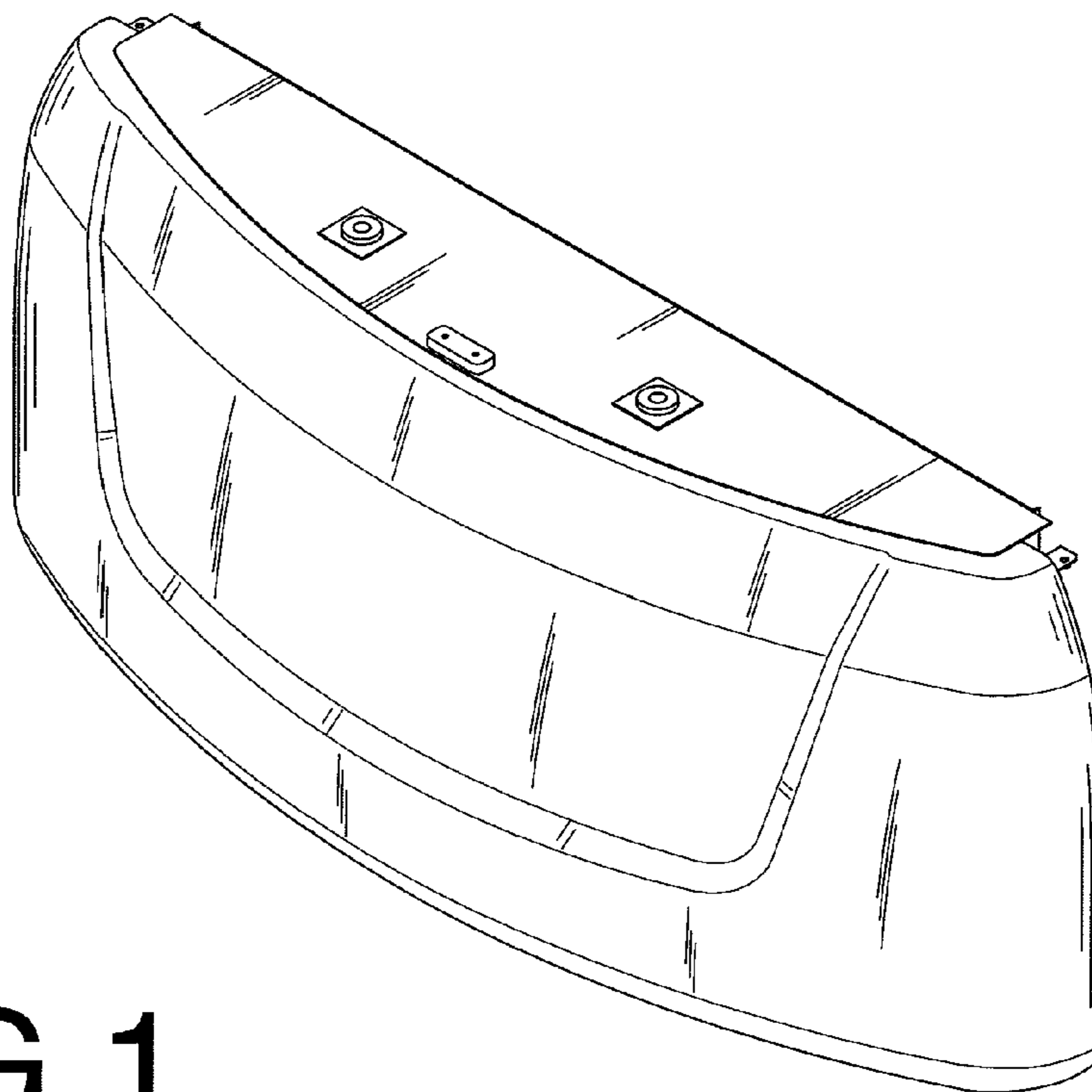


FIG. 1

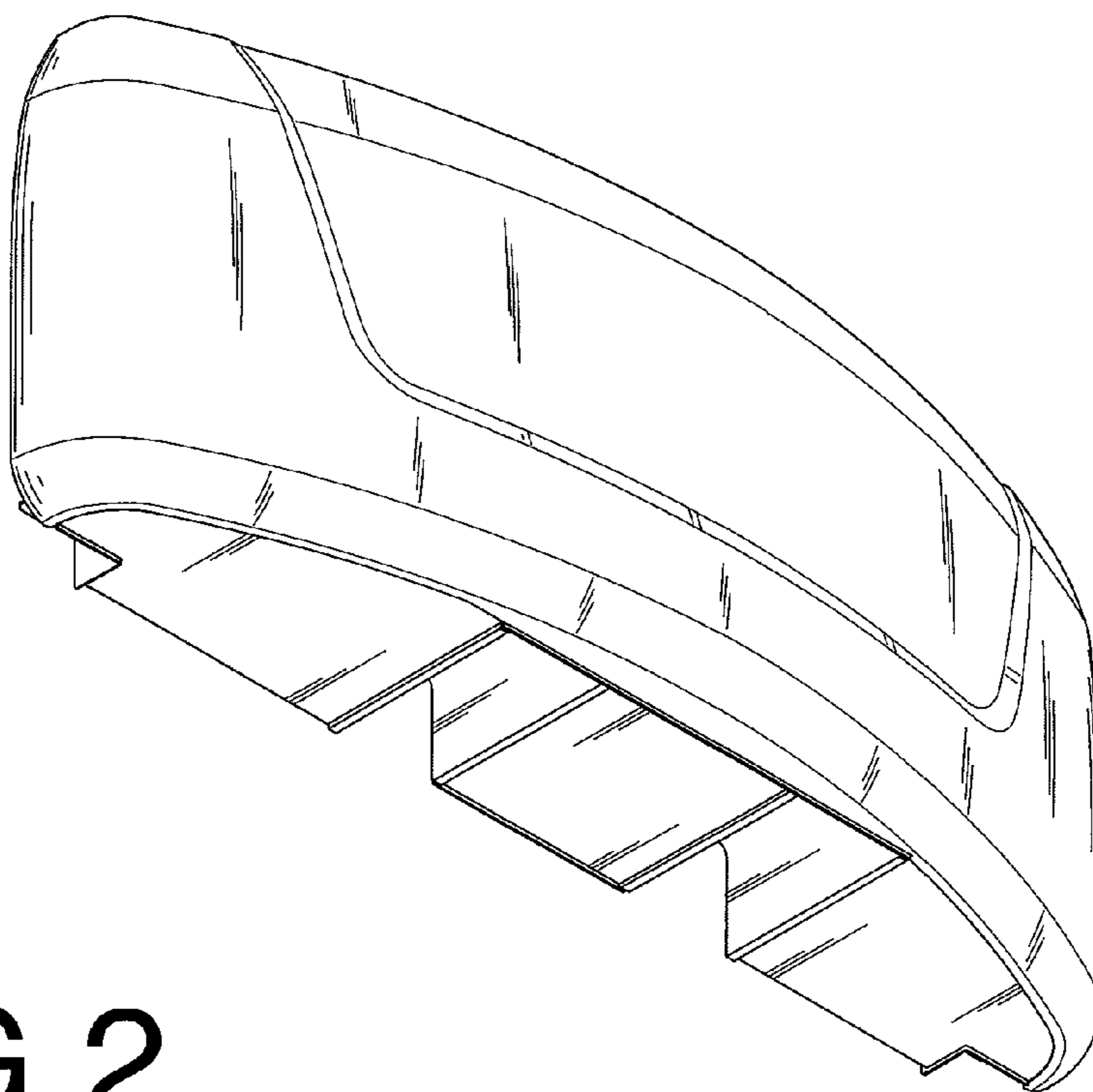


FIG. 2

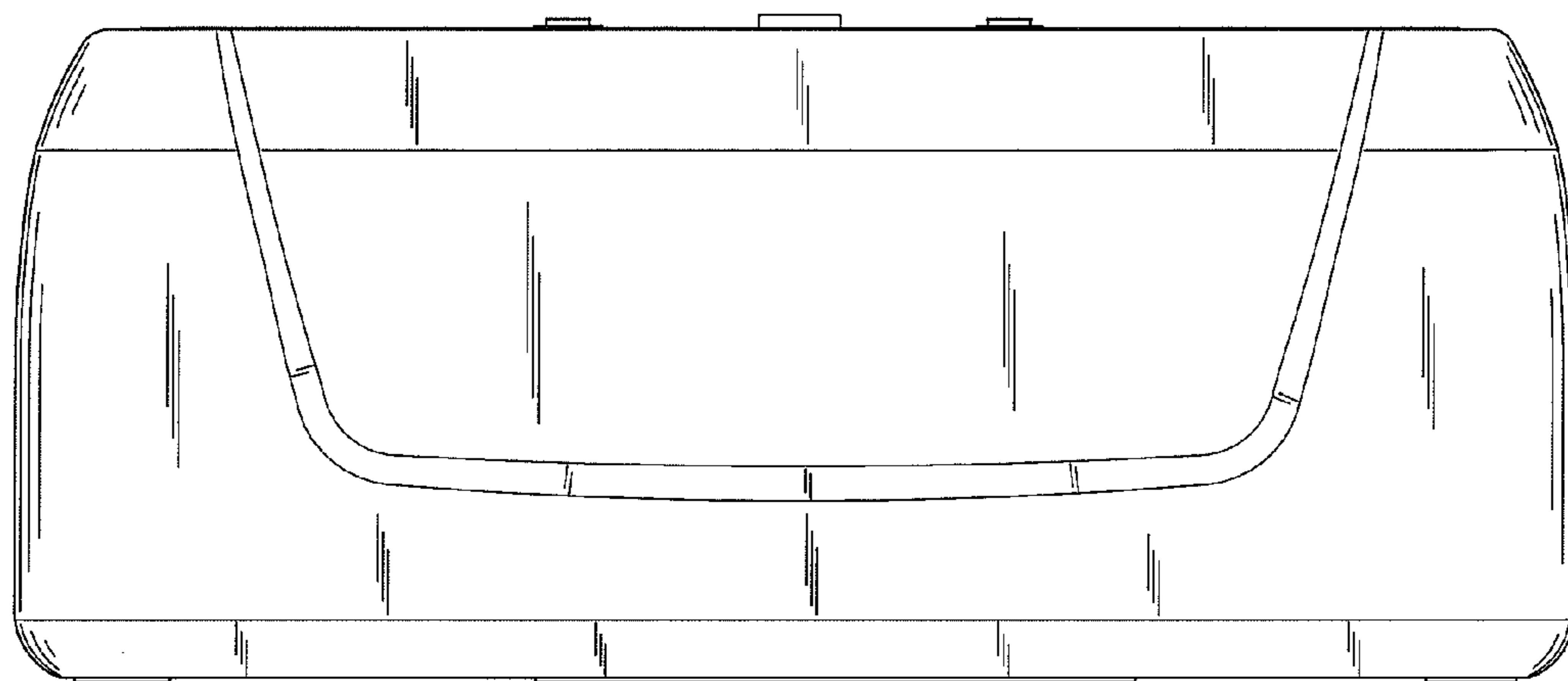


FIG.3

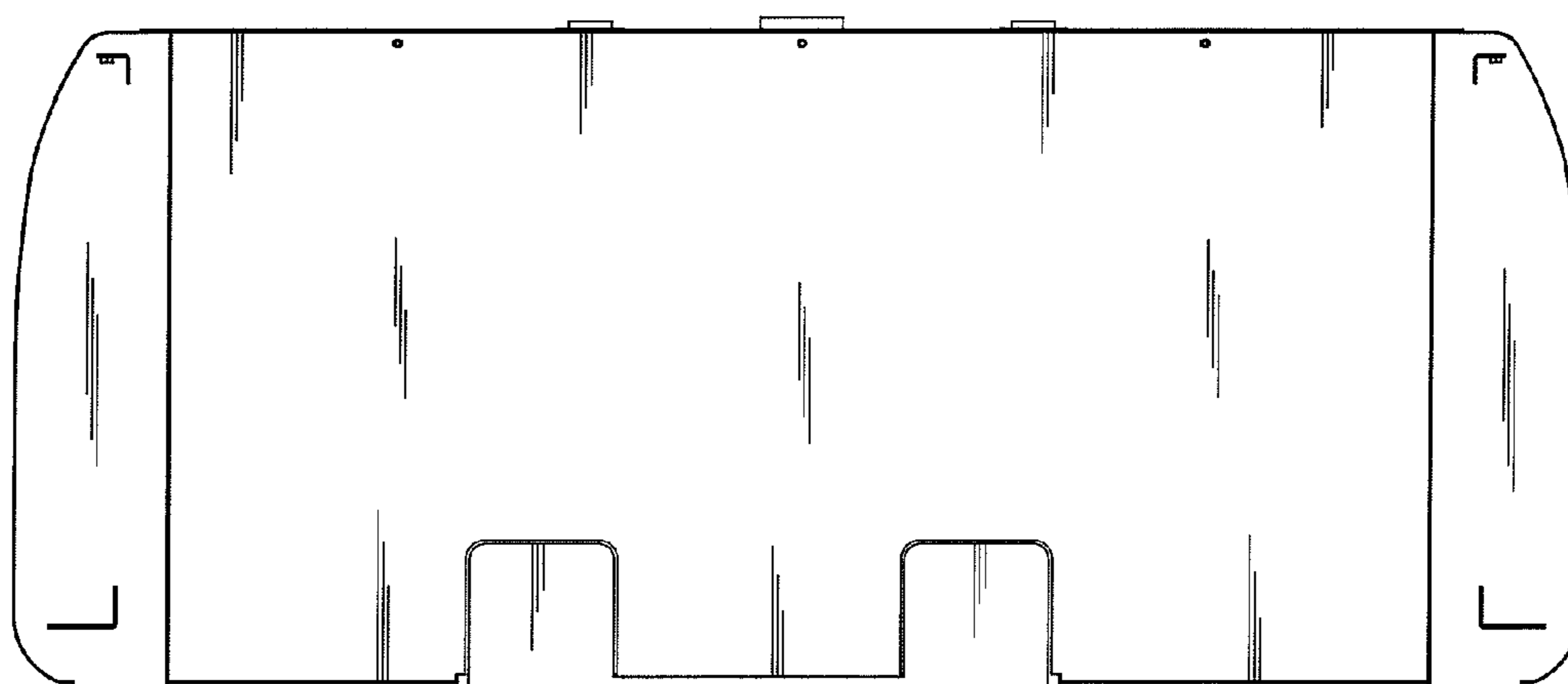


FIG.4

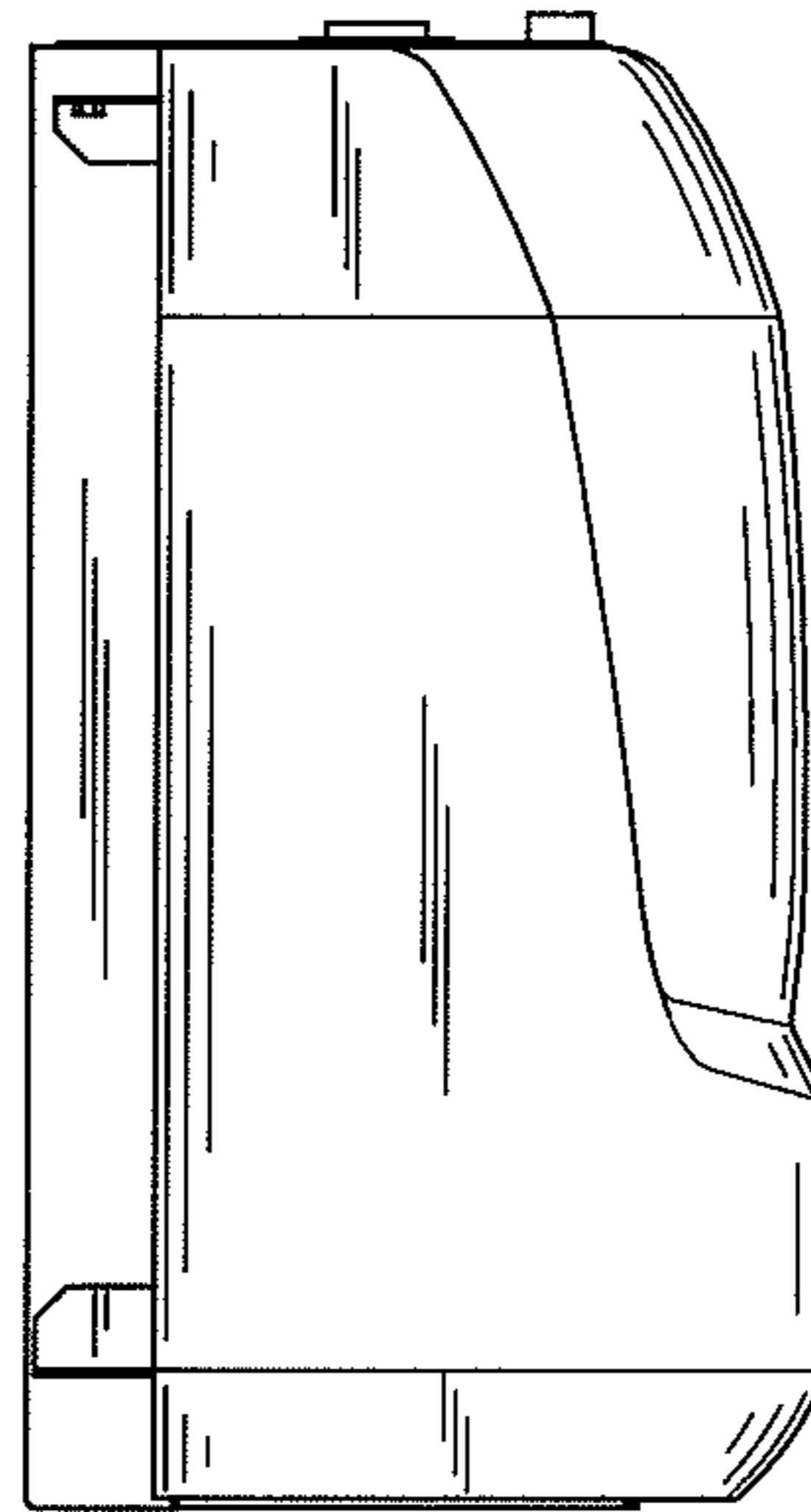


FIG.5

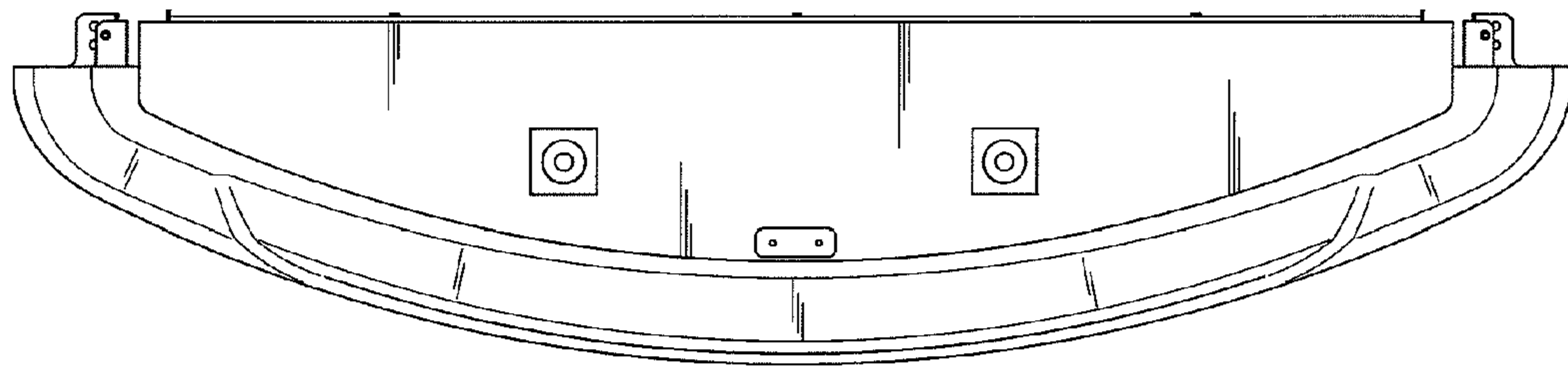


FIG. 6

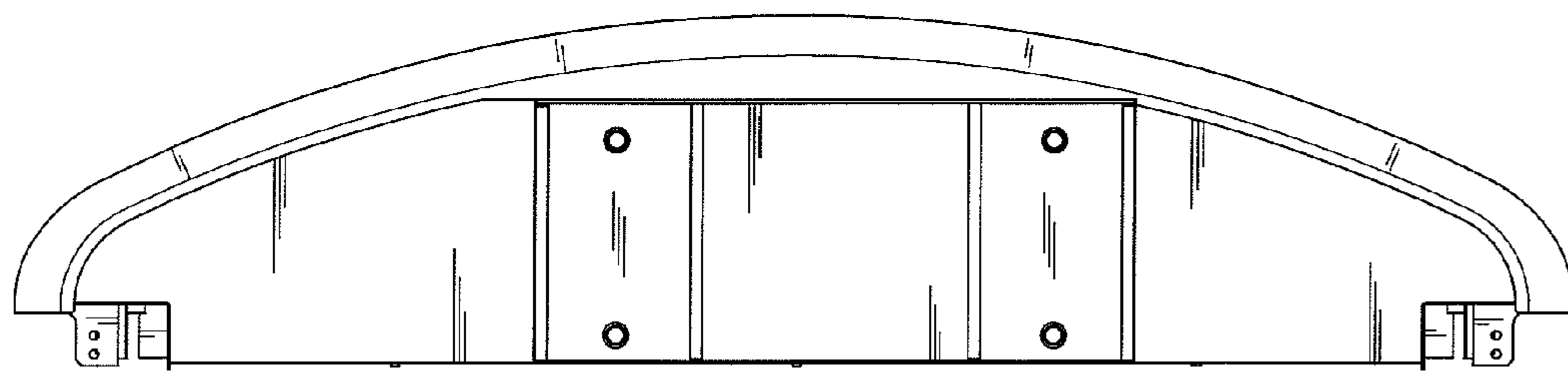


FIG. 7