



US00D680134S

(12) **United States Design Patent**  
**Fordyce et al.**

(10) **Patent No.:** **US D680,134 S**  
(45) **Date of Patent:** **\*\* Apr. 16, 2013**

(54) **FUEL PUMP**

D645,058 S 9/2011 Benoit  
D662,518 S \* 6/2012 Anderson ..... D15/9  
D662,519 S \* 6/2012 Anderson ..... D15/9

(75) Inventors: **Graham Fordyce**, Cleveland, OH (US);  
**Jon Arotzarena**, Cleveland, OH (US);  
**Kimber Biniak**, Cleveland, OH (US);  
**Brian Gao**, Cleveland, OH (US)

(73) Assignee: **Prestolite Performance LLC**,  
Cleveland, OH (US)

(\*\*) Term: **14 Years**

(21) Appl. No.: **29/418,903**

(22) Filed: **Apr. 23, 2012**

(51) **LOC (9) Cl.** ..... **15-02**

(52) **U.S. Cl.**  
USPC ..... **D15/7**

(58) **Field of Classification Search** ..... D15/7-9;  
D23/231, 232, 225; 417/60, 235, 265, 321,  
417/355, 358, 363, 359, 410.1, 415-416,  
417/405, 900, 43, 554; 60/408, 412; 184/26-37;  
415/140-147; 123/495, 509; 166/105.1,  
166/105.2, 311

See application file for complete search history.

(56) **References Cited**

**U.S. PATENT DOCUMENTS**

5,007,806 A 4/1991 Bellis et al.  
D329,651 S \* 9/1992 Kuwada et al. .... D15/9.1  
D333,475 S \* 2/1993 Kuwada et al. .... D15/9.1  
D524,327 S \* 7/2006 Weiss et al. .... D15/7  
D603,426 S \* 11/2009 Hauser et al. .... D15/7  
D629,423 S \* 12/2010 Varini ..... D15/7  
D645,055 S 9/2011 Benoit  
D645,057 S 9/2011 Benoit

**OTHER PUBLICATIONS**

Product packaging for Racer Power Company High Performance Electric Fuel Pump.  
Product packaging for Holley Hi-Performance Fuel Pump, Copyright 2009.

\* cited by examiner

*Primary Examiner* — Ralf Seifert

(74) *Attorney, Agent, or Firm* — Rader, Fishman & Grauer PLLC

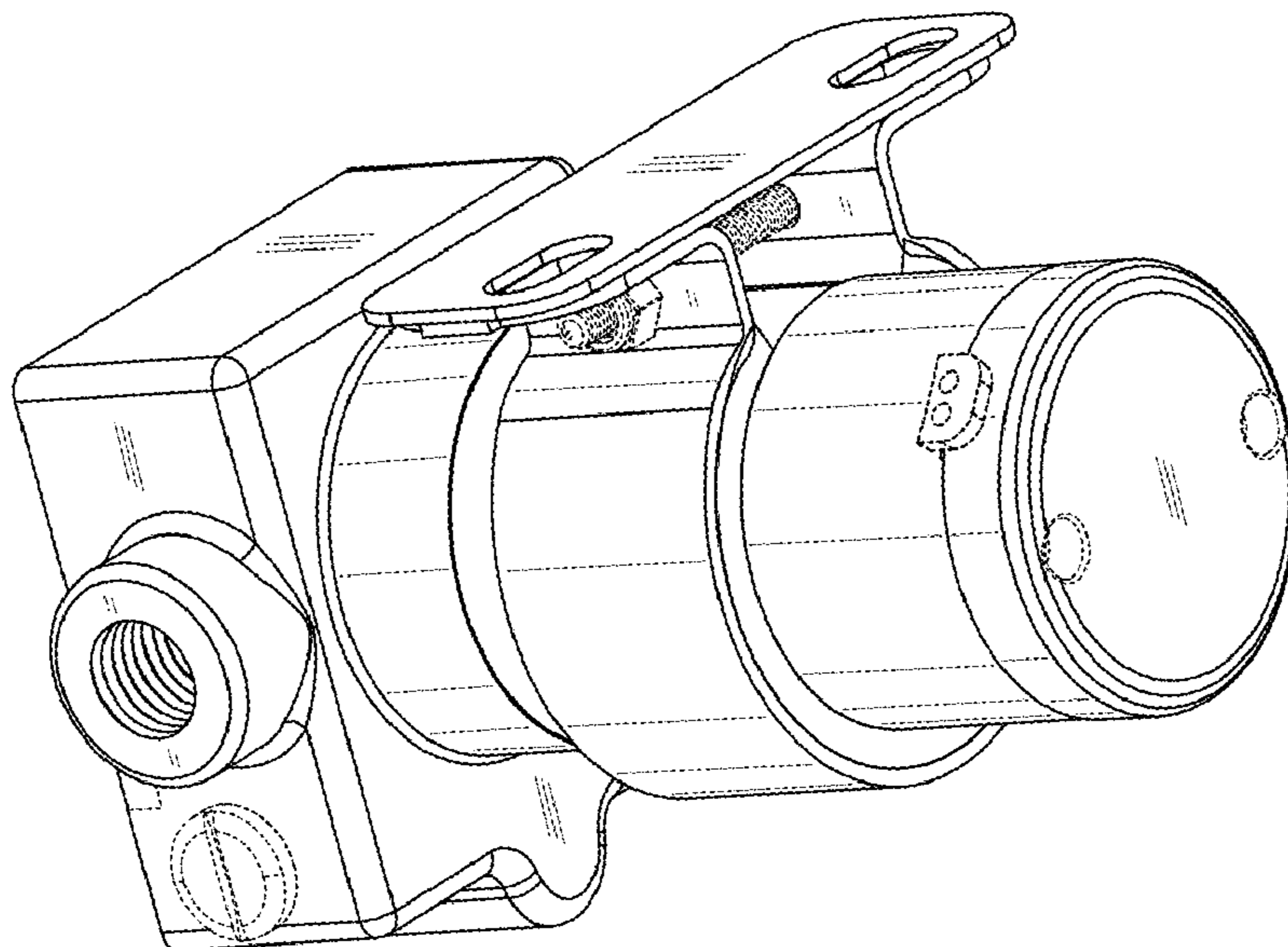
(57) **CLAIM**

The ornamental design for fuel pump, as shown and described.

**DESCRIPTION**

FIG. 1 is a top perspective view of a fuel pump;  
FIG. 2 is a bottom perspective view of a fuel pump;  
FIG. 3 is a front right perspective view of a fuel pump;  
FIG. 4 is a rear right perspective view of fuel pump;  
FIG. 5 is a right view of a fuel pump;  
FIG. 6 is a left view of a fuel pump;  
FIG. 7 is a front view of a fuel pump;  
FIG. 8 is a rear view of a fuel pump;  
FIG. 9 is a top view of a fuel pump; and,  
FIG. 10 is a bottom view of a fuel pump.  
Portions of FIGS. 1-10 that are shown as broken lines are for illustrative purpose only and form no part of the claimed design.

**1 Claim, 5 Drawing Sheets**



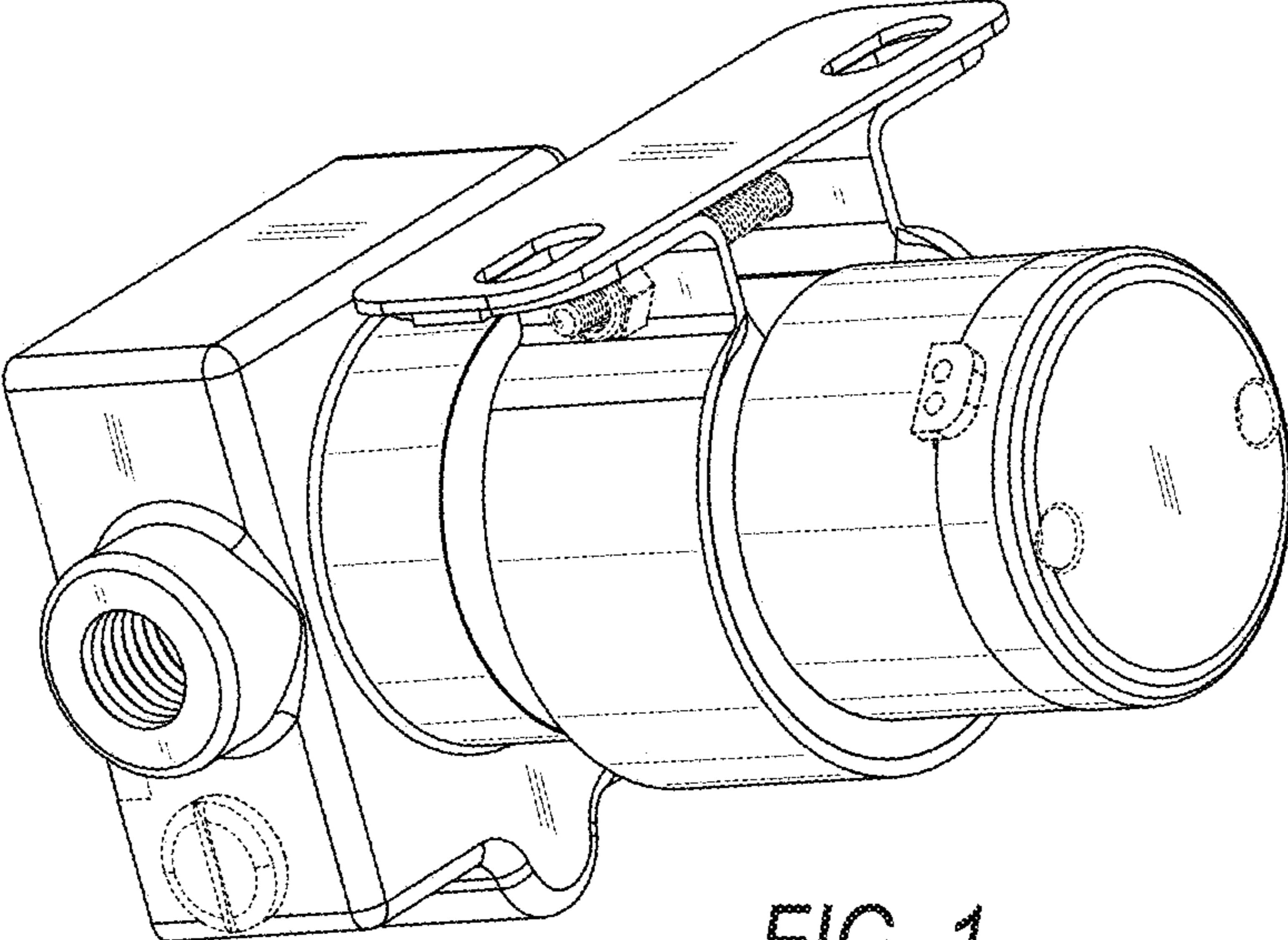


FIG. 1

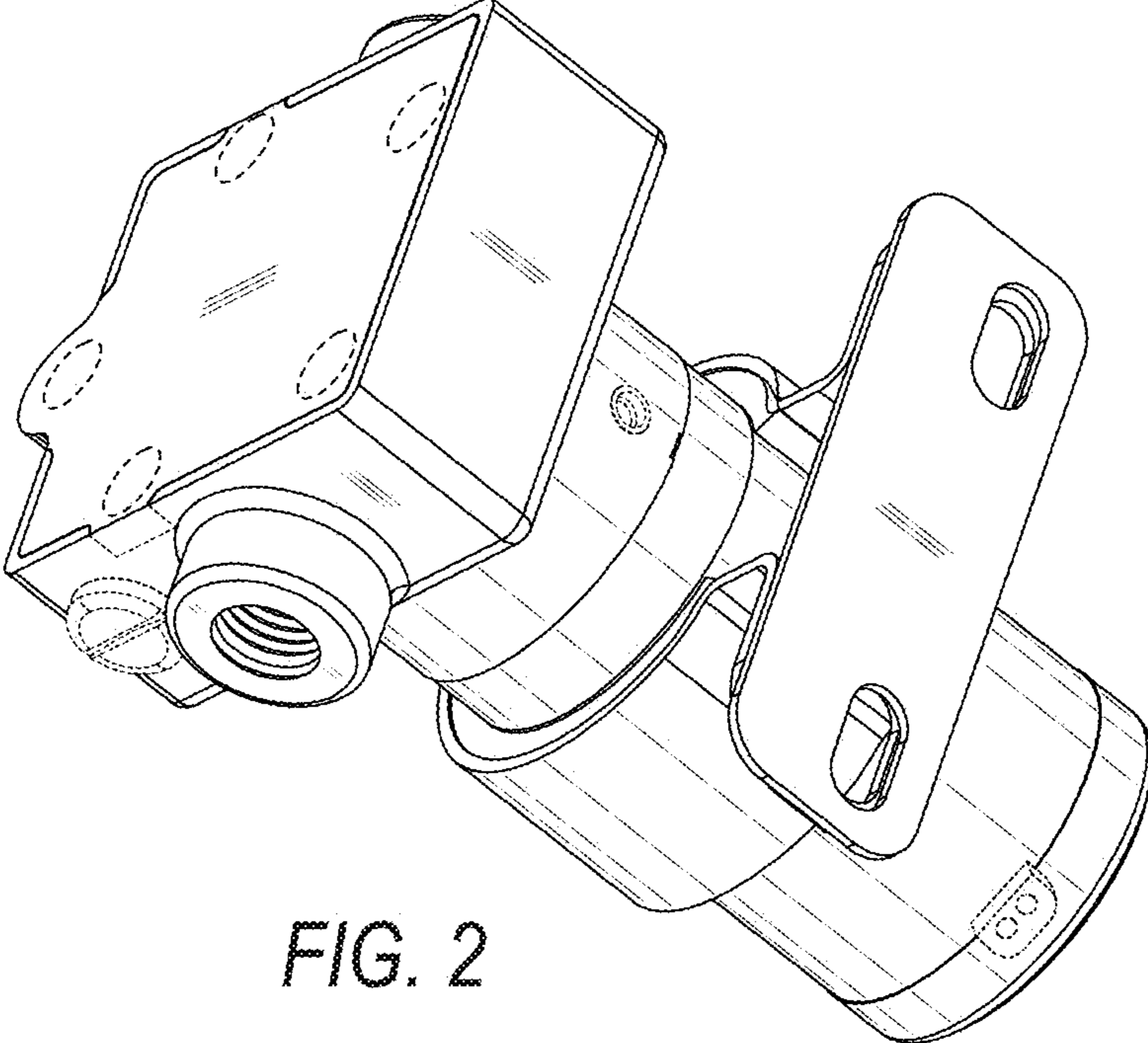


FIG. 2

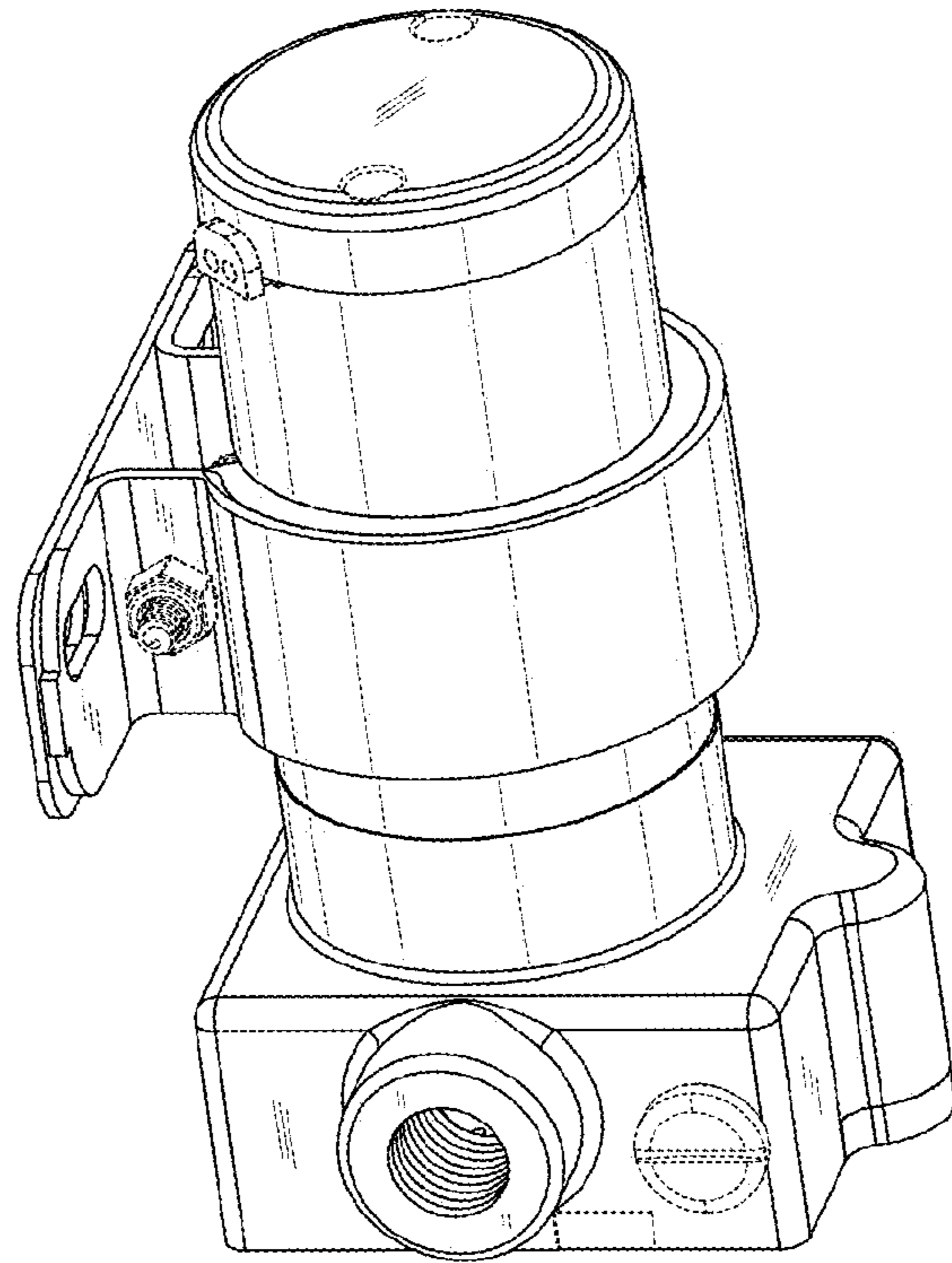


FIG. 3

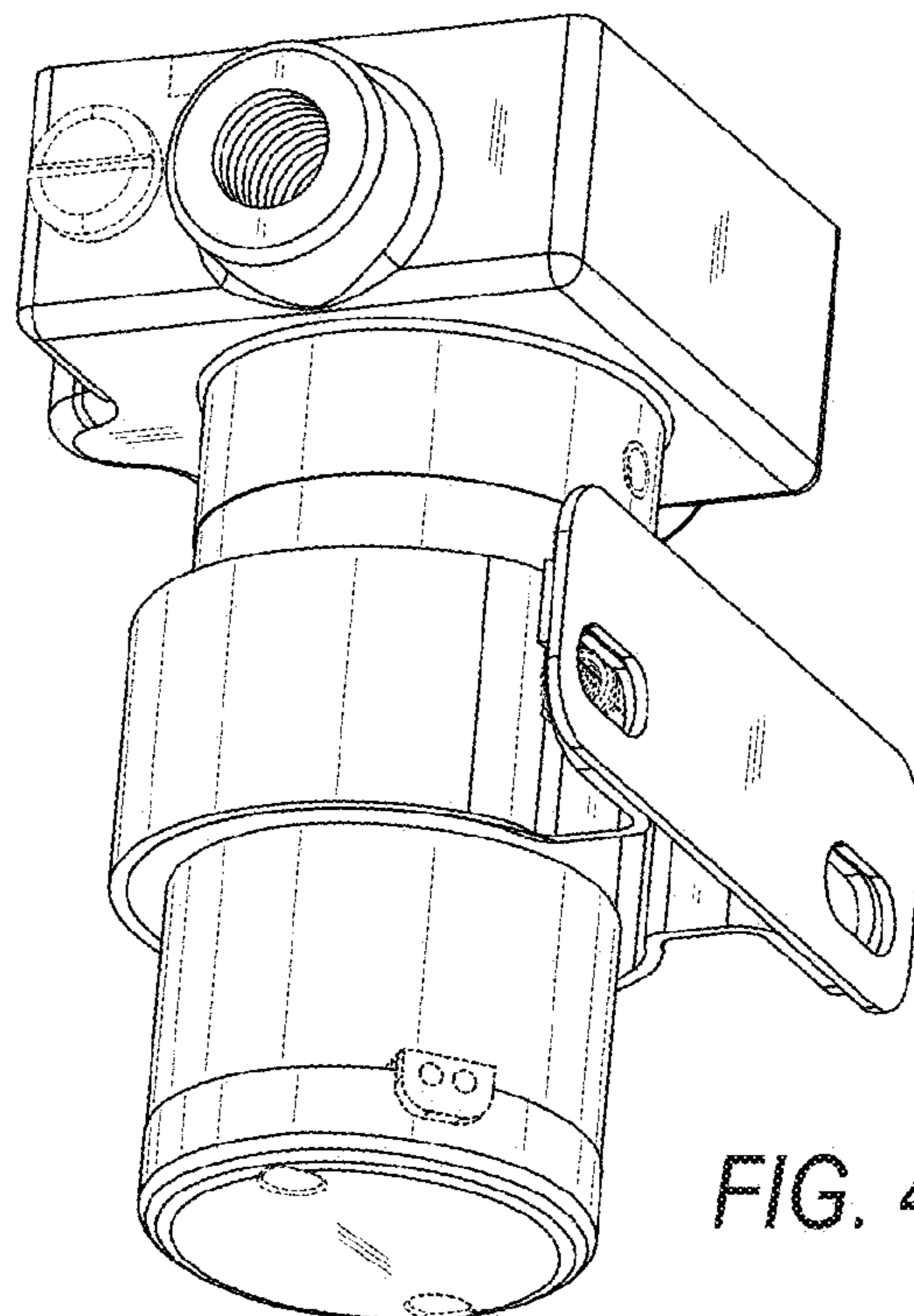


FIG. 4

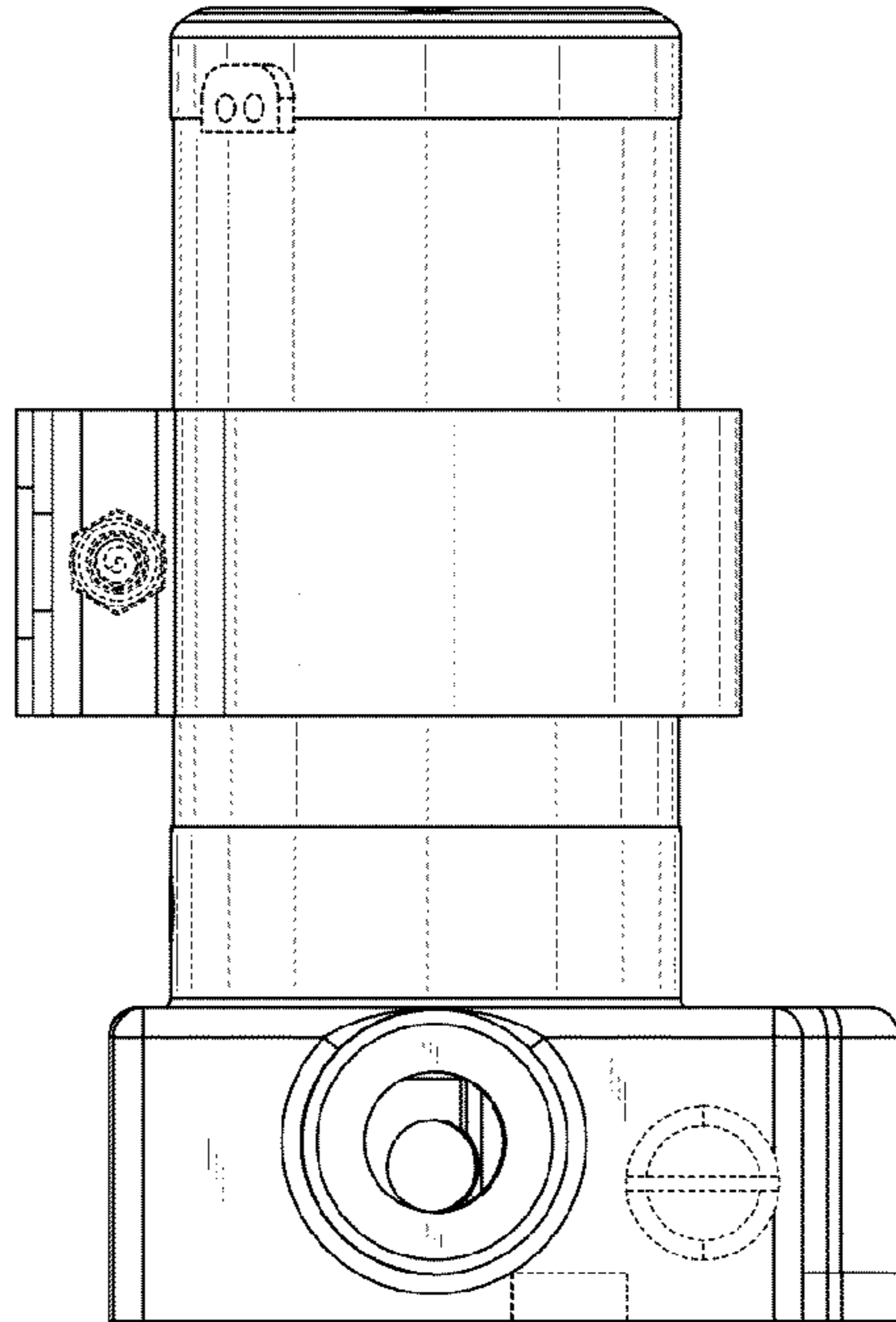


FIG. 5

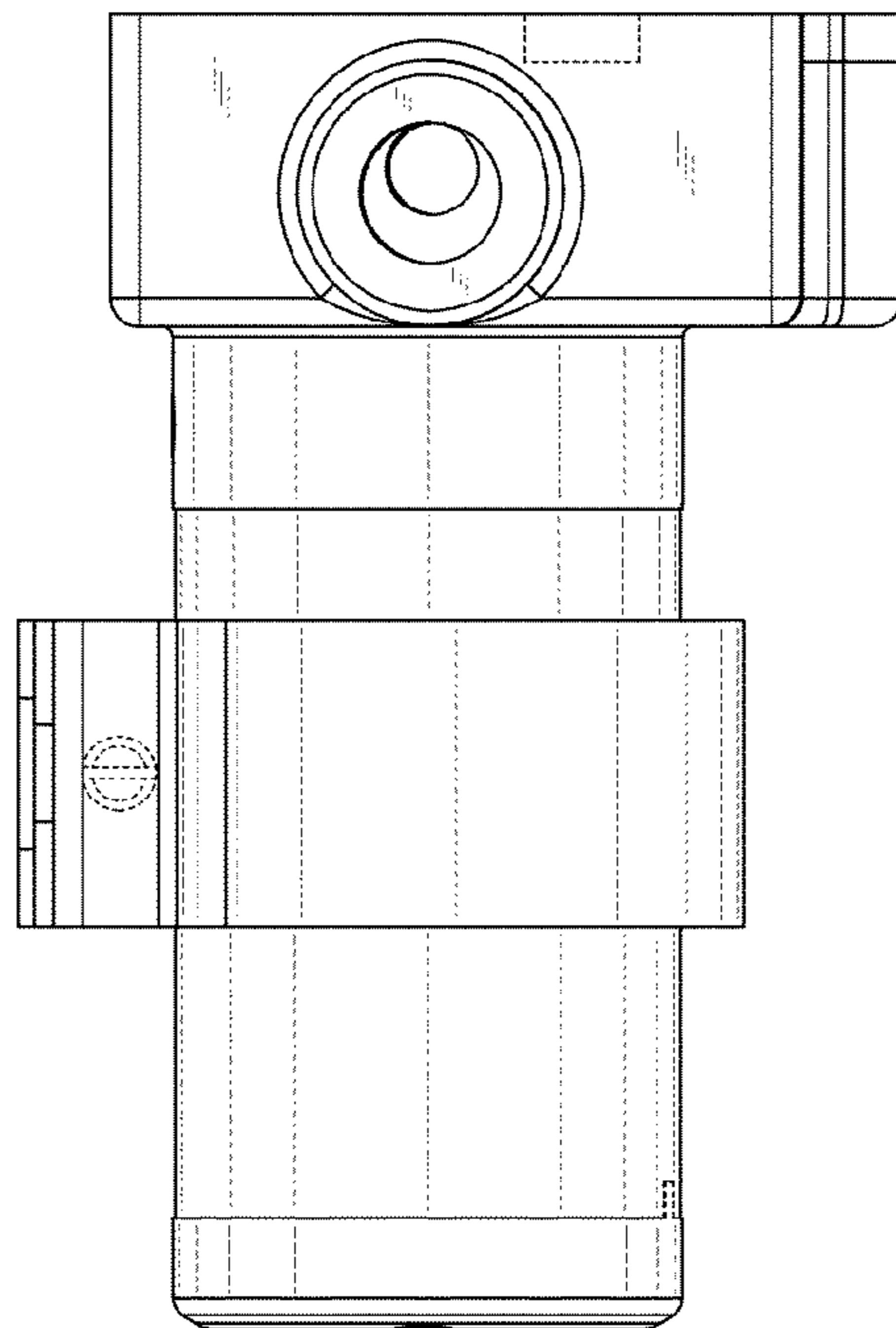


FIG. 6

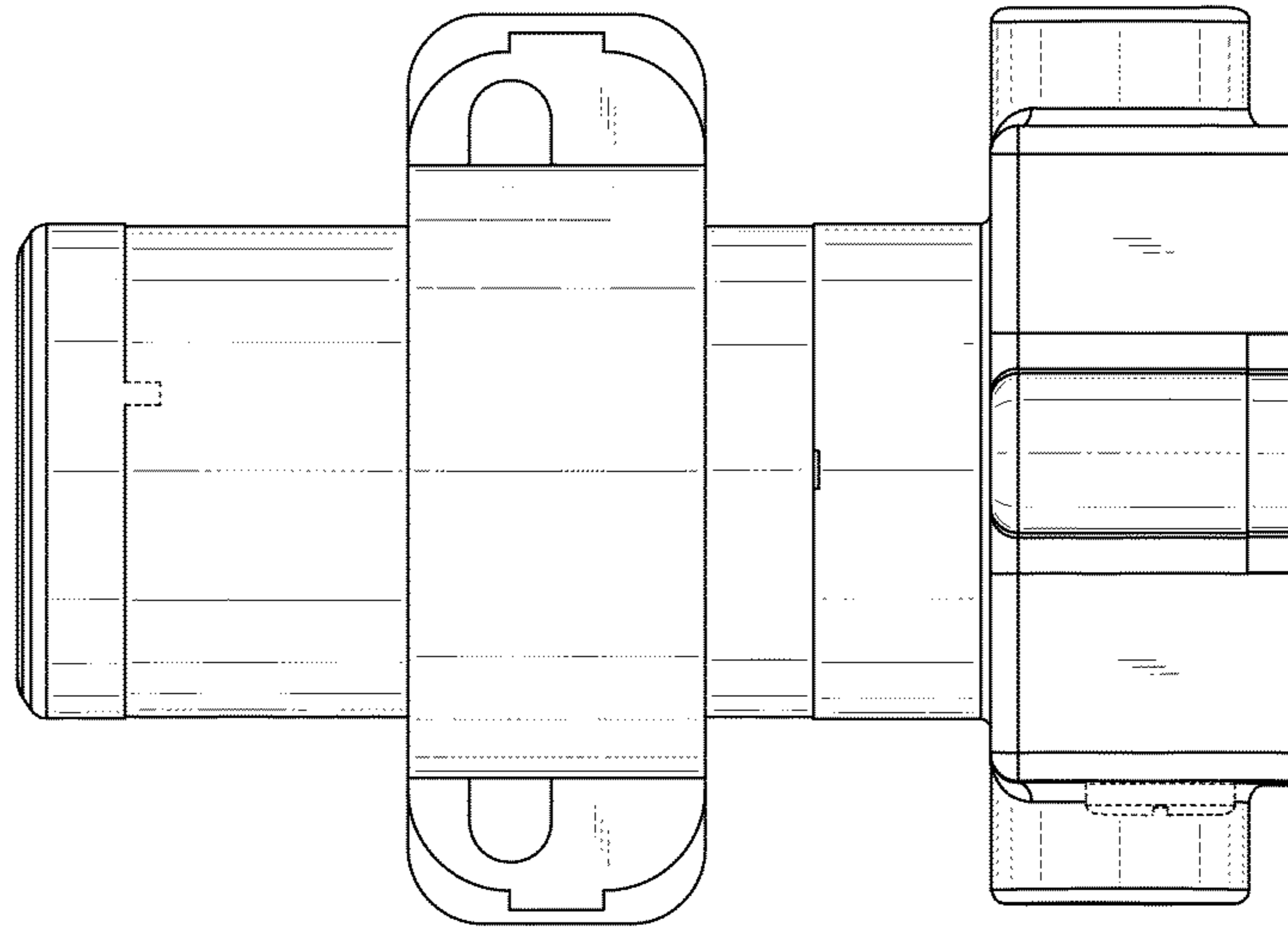


FIG. 7

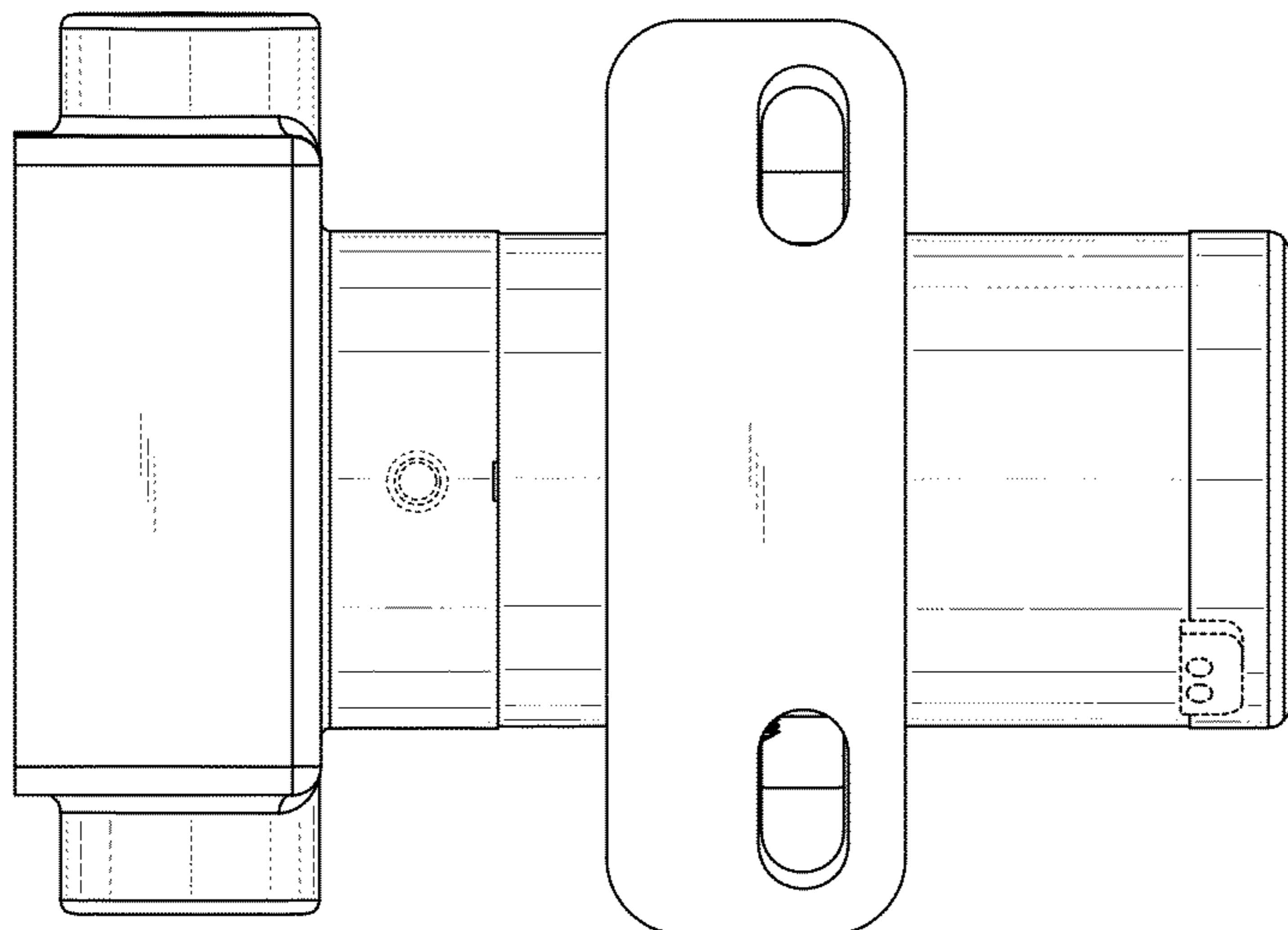


FIG. 8

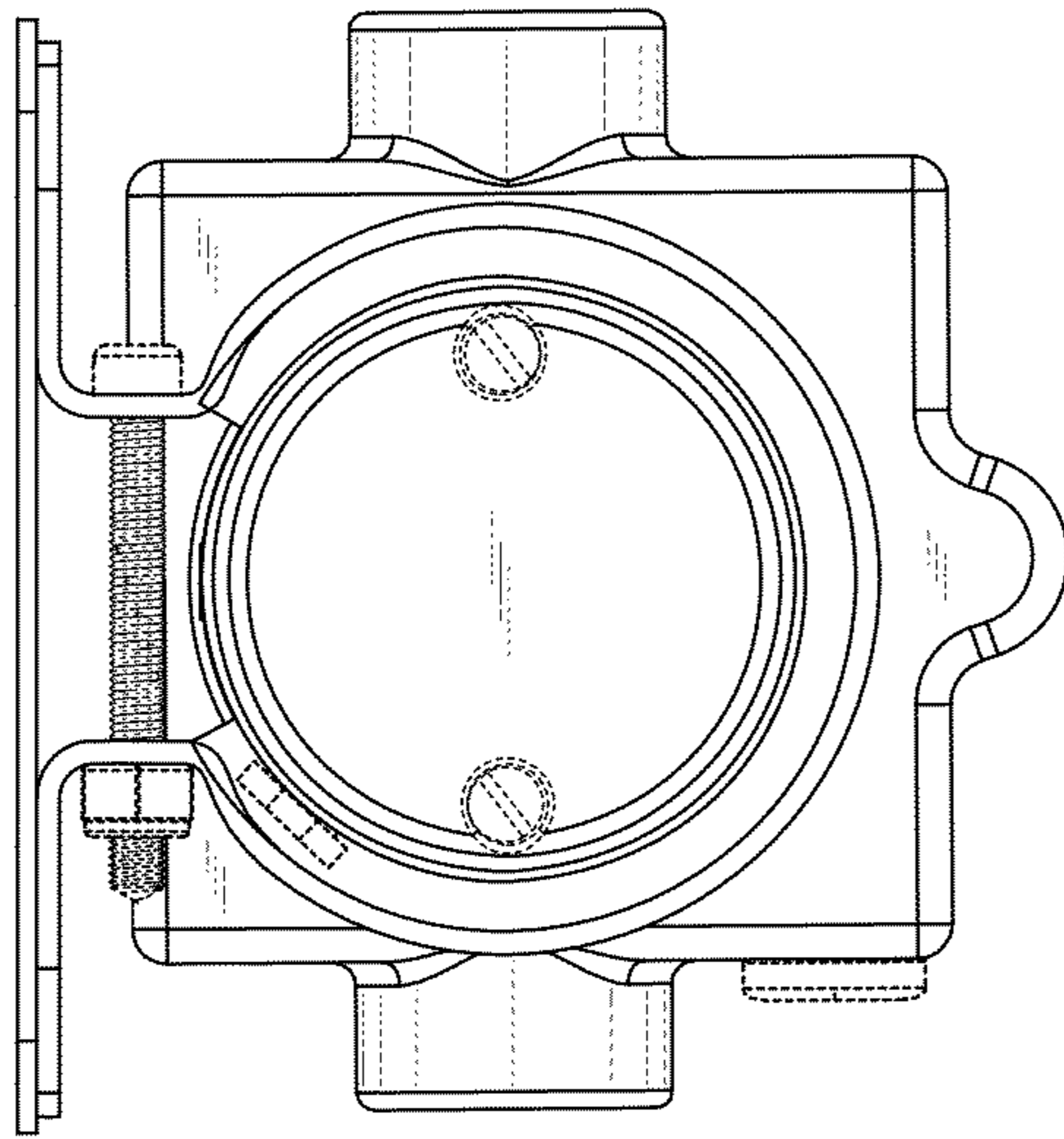


FIG. 9

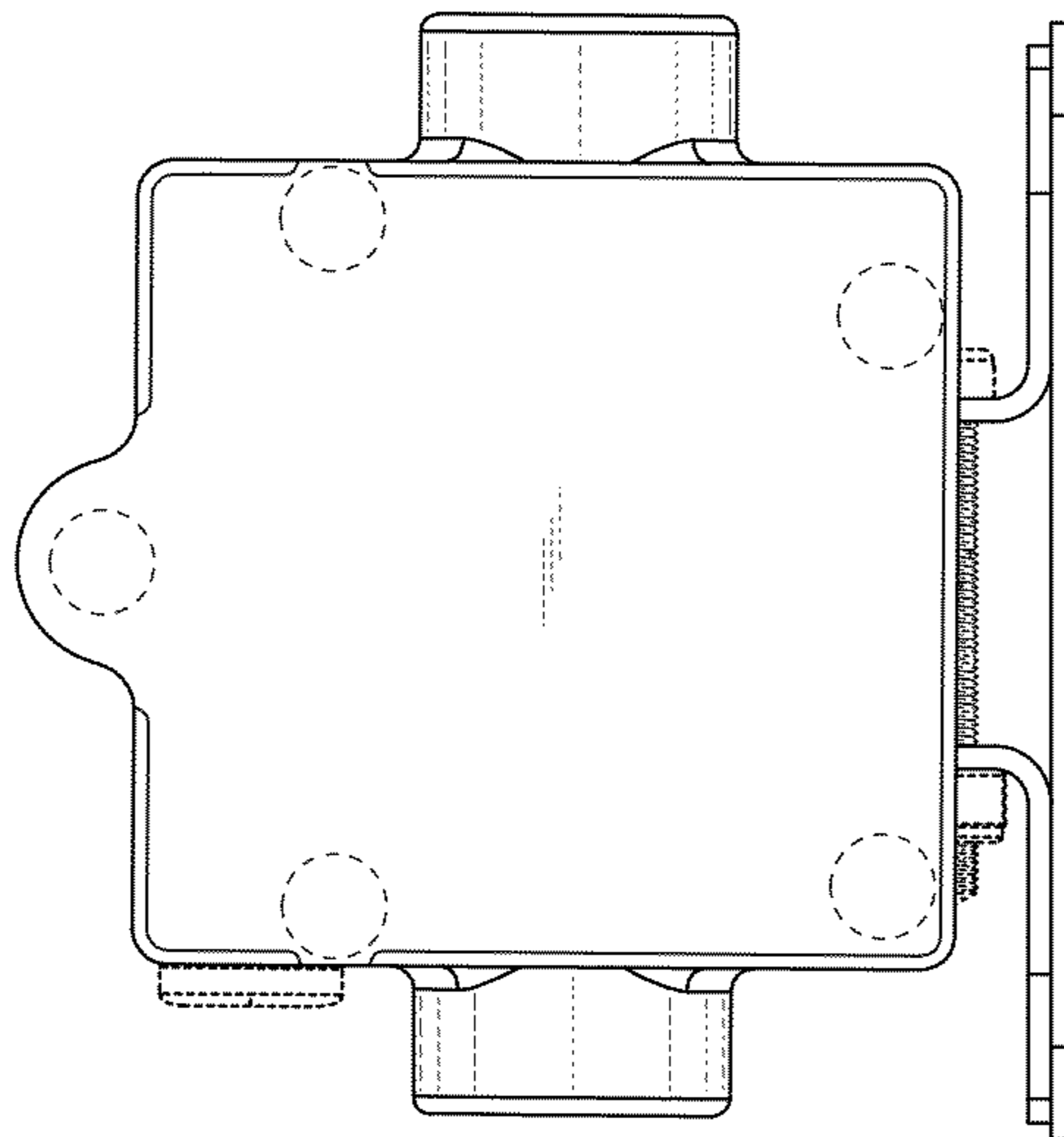


FIG. 10