



US00D680133S

(12) **United States Design Patent**  
**Hoehn et al.**

(10) **Patent No.:** **US D680,133 S**  
(45) **Date of Patent:** **\*\* Apr. 16, 2013**

(54) **PUMP ASSEMBLY**

(75) Inventors: **Richard Hoehn**, Decatur, IN (US);  
**Jacob John Berry**, Uniondale, IN (US)

(73) Assignee: **Tuthill Corporation**, Fort Wayne, IN (US)

(\*\*) Term: **14 Years**

(21) Appl. No.: **29/407,147**

(22) Filed: **Nov. 23, 2011**

(51) **LOC (9) Cl.** ..... **15-02**

(52) **U.S. Cl.**  
USPC ..... **D15/7**

(58) **Field of Classification Search** ..... D15/7-9;  
D23/231, 232, 225; 417/60, 235, 265, 321,  
417/355, 358, 363, 359, 410.1, 415-416,  
417/405, 900; 60/408, 412; 184/26-37;  
415/140-147; 123/495, 509

See application file for complete search history.

(56) **References Cited**

U.S. PATENT DOCUMENTS

D538,826 S *	3/2007	Kienzle .....	D15/9
D541,817 S *	5/2007	Puls .....	D15/7
D613,769 S *	4/2010	Kitamura et al. ....	D15/7
D613,770 S *	4/2010	Kitamura et al. ....	D15/7
D629,423 S *	12/2010	Varini .....	D15/7
D644,251 S *	8/2011	Serita .....	D15/7
D644,555 S *	9/2011	Dixon et al. ....	D15/7

\* cited by examiner

*Primary Examiner* — Ralf Seifert

(74) *Attorney, Agent, or Firm* — Barnes & Thornburg LLP

(57) **CLAIM**

The ornamental design of a pump assembly, as shown and described.

**DESCRIPTION**

FIG. 1 is a front-right-perspective view of an illustrative embodiment of the pump assembly;

FIG. 2 is a front-left-perspective view of the pump assembly;

FIG. 3 is a rear-right-perspective view of the pump assembly;

FIG. 4 is an upward-looking, right-perspective view of the pump assembly;

FIG. 5 is an upward-looking, right-perspective view of the pump assembly;

FIG. 6 is an upward-looking, left-perspective view of the pump assembly;

FIG. 7 is a top view of the pump assembly;

FIG. 8 is a bottom view of the pump assembly;

FIG. 9 is a front view of the pump assembly;

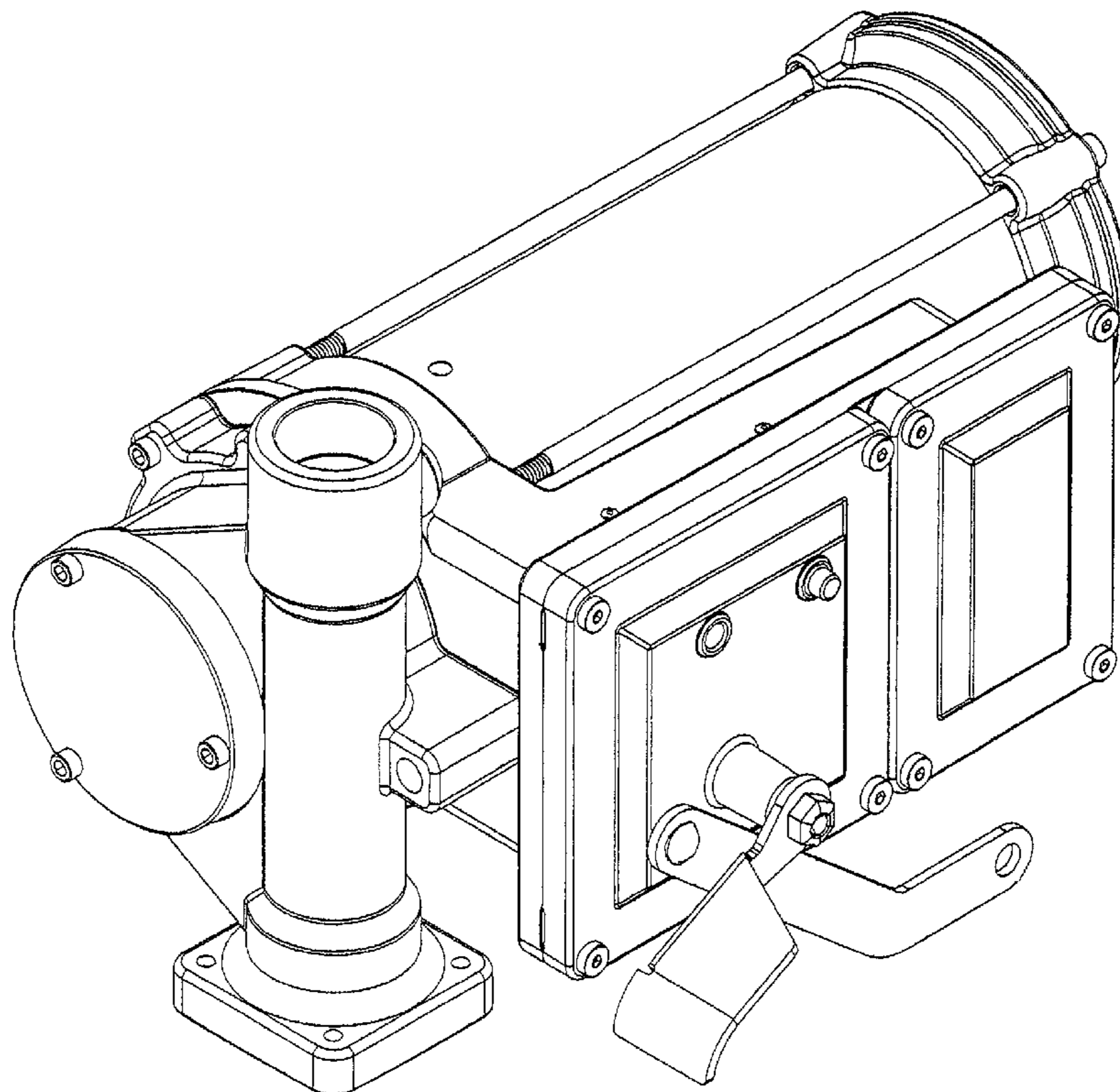
FIG. 10 is a right side view of the pump assembly;

FIG. 11 is a rear view of the pump assembly; and,

FIG. 12 is a left view of the pump assembly.

The broken lines in FIGS. 7, 8, 9, and 11 are included for the purpose of illustrating portions of the pump assembly that form no part of the claimed design.

**1 Claim, 12 Drawing Sheets**



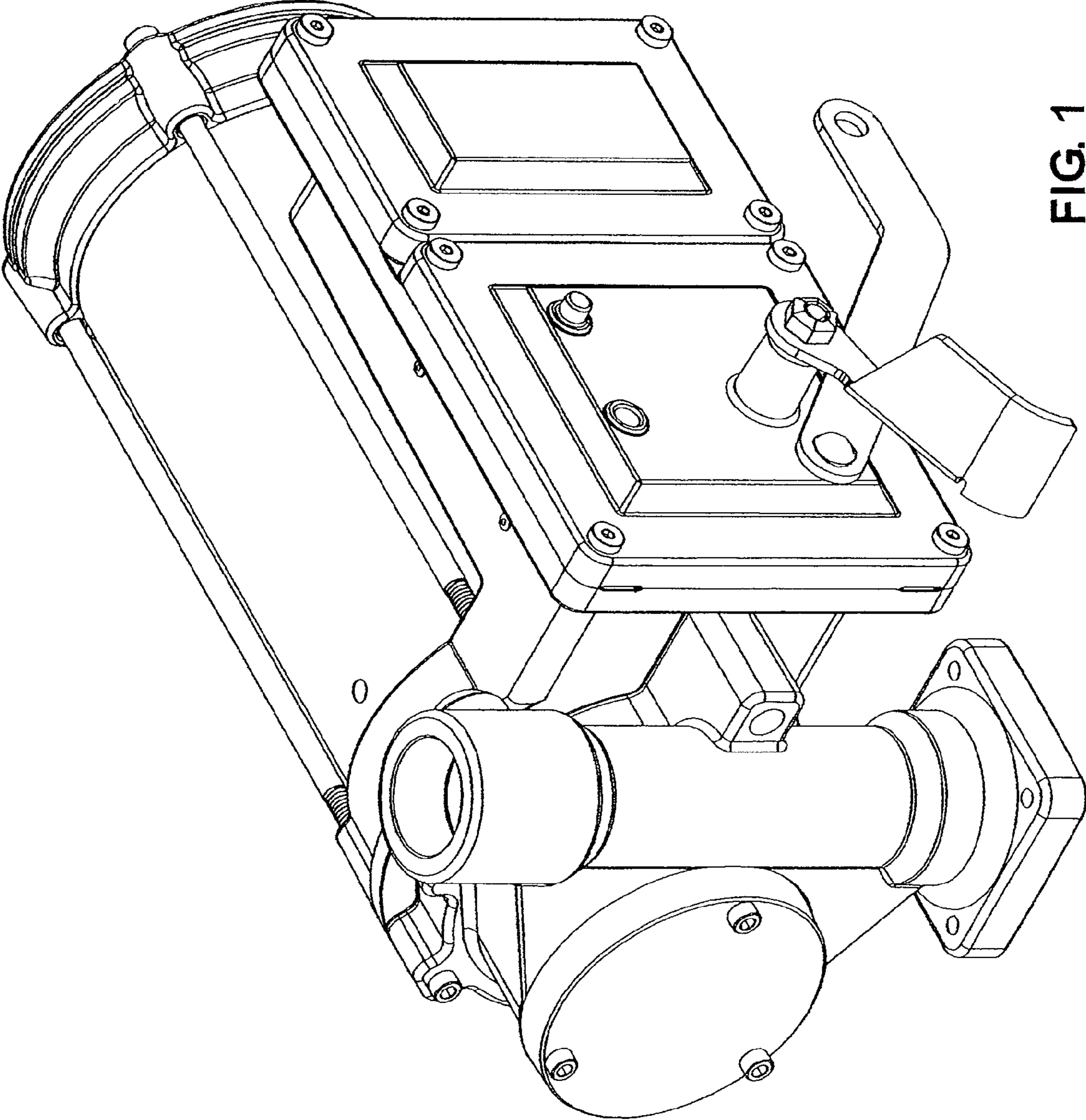


FIG. 1

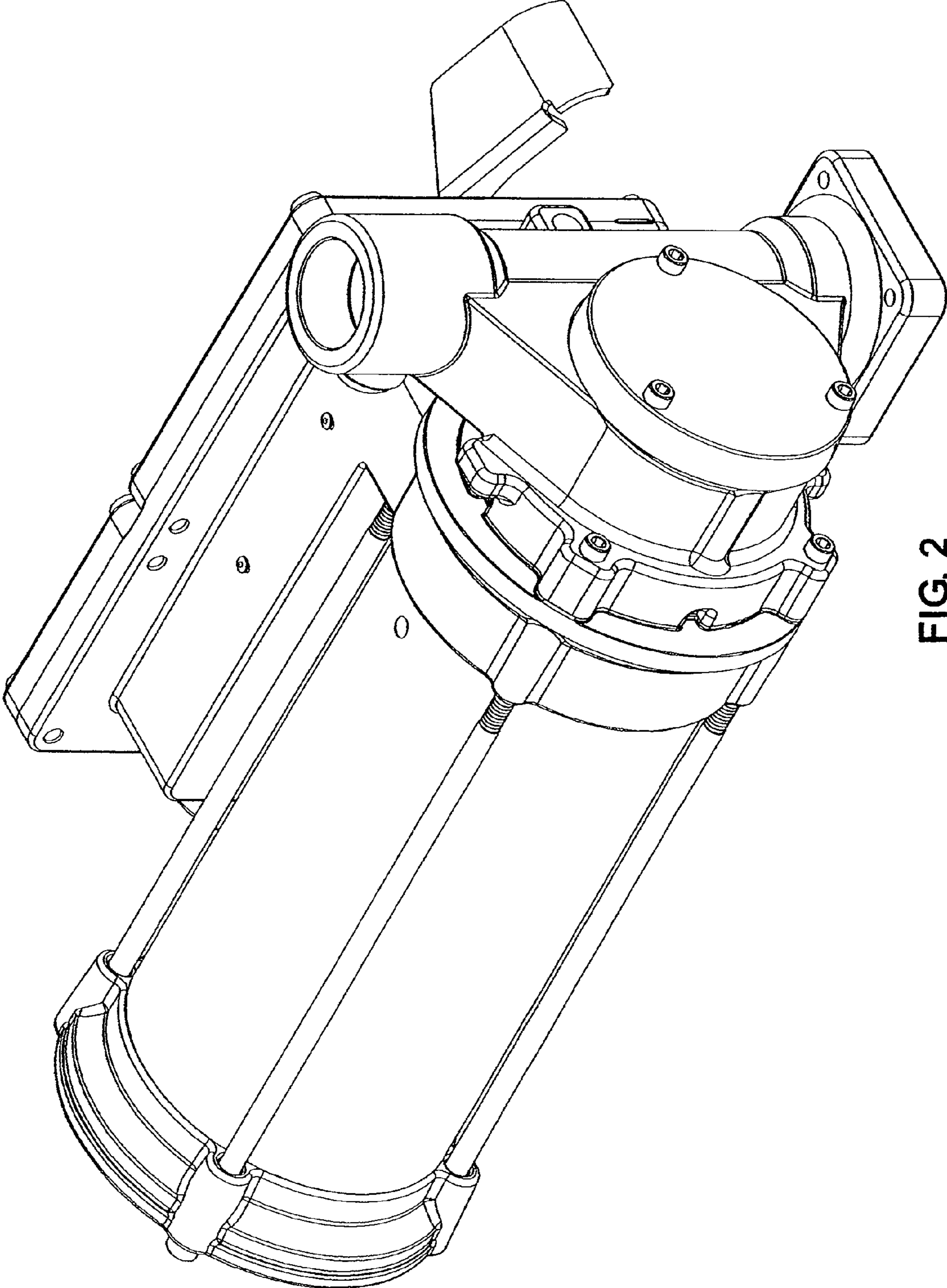


FIG. 2

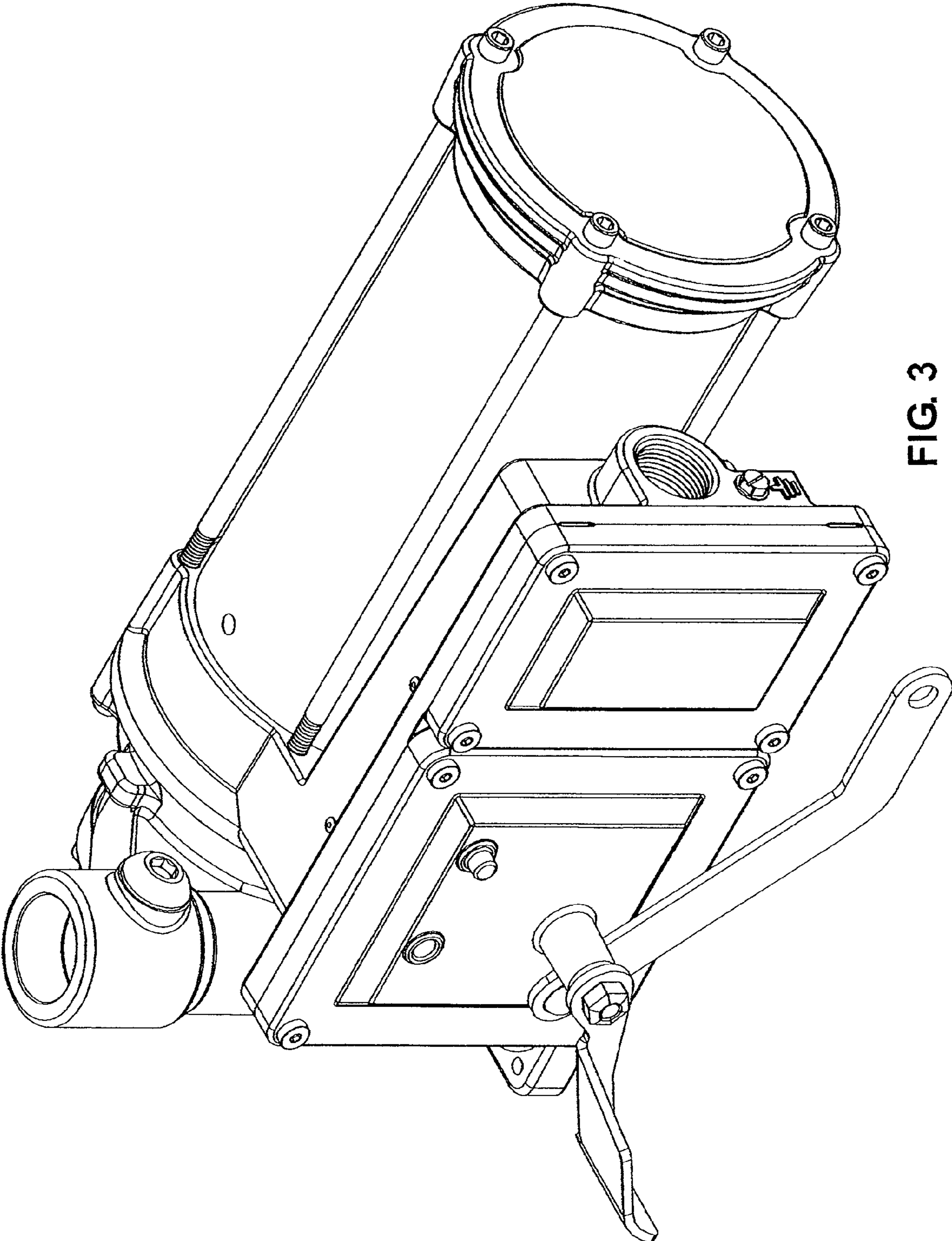


FIG. 3

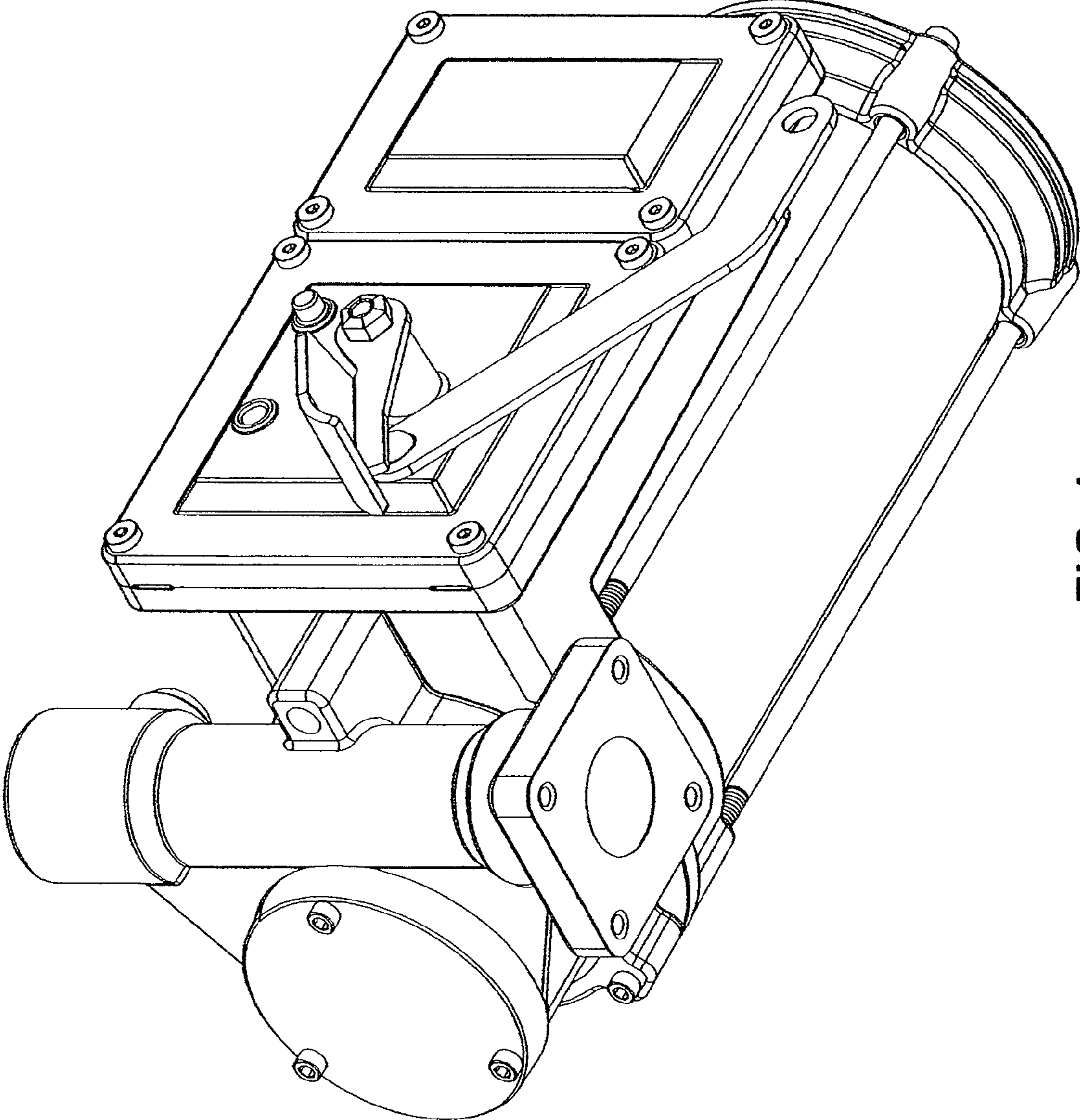


FIG. 4

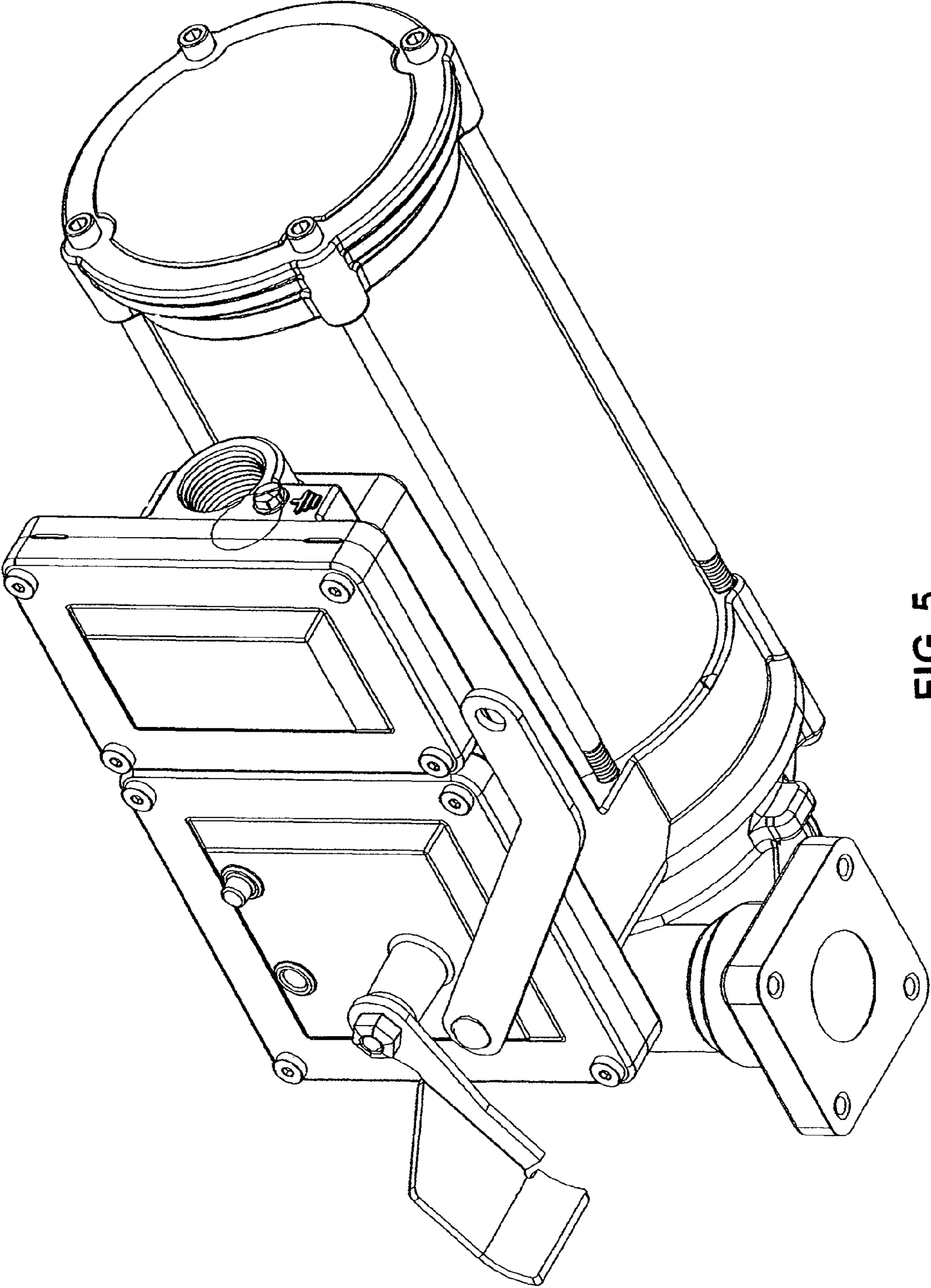


FIG. 5

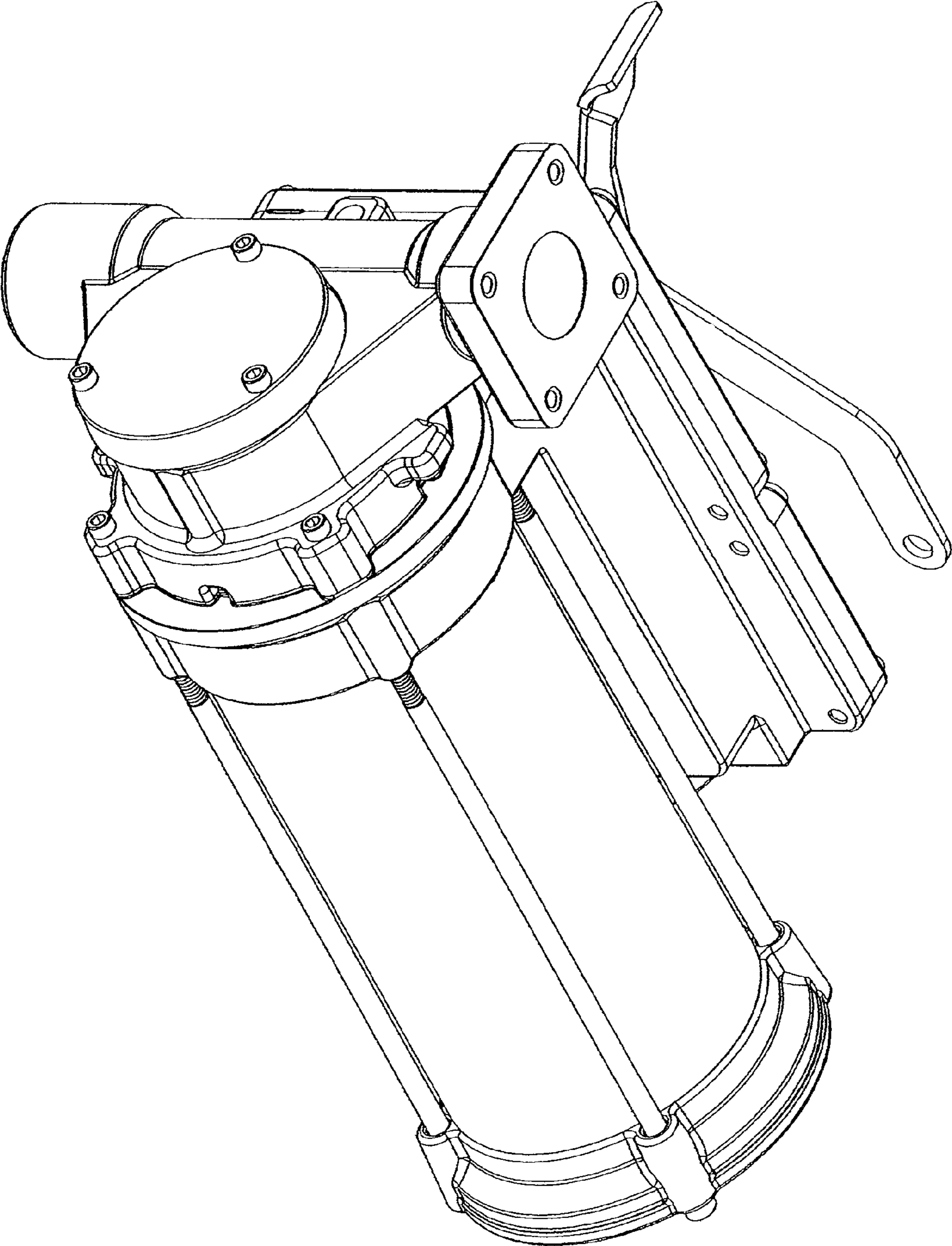


FIG. 6

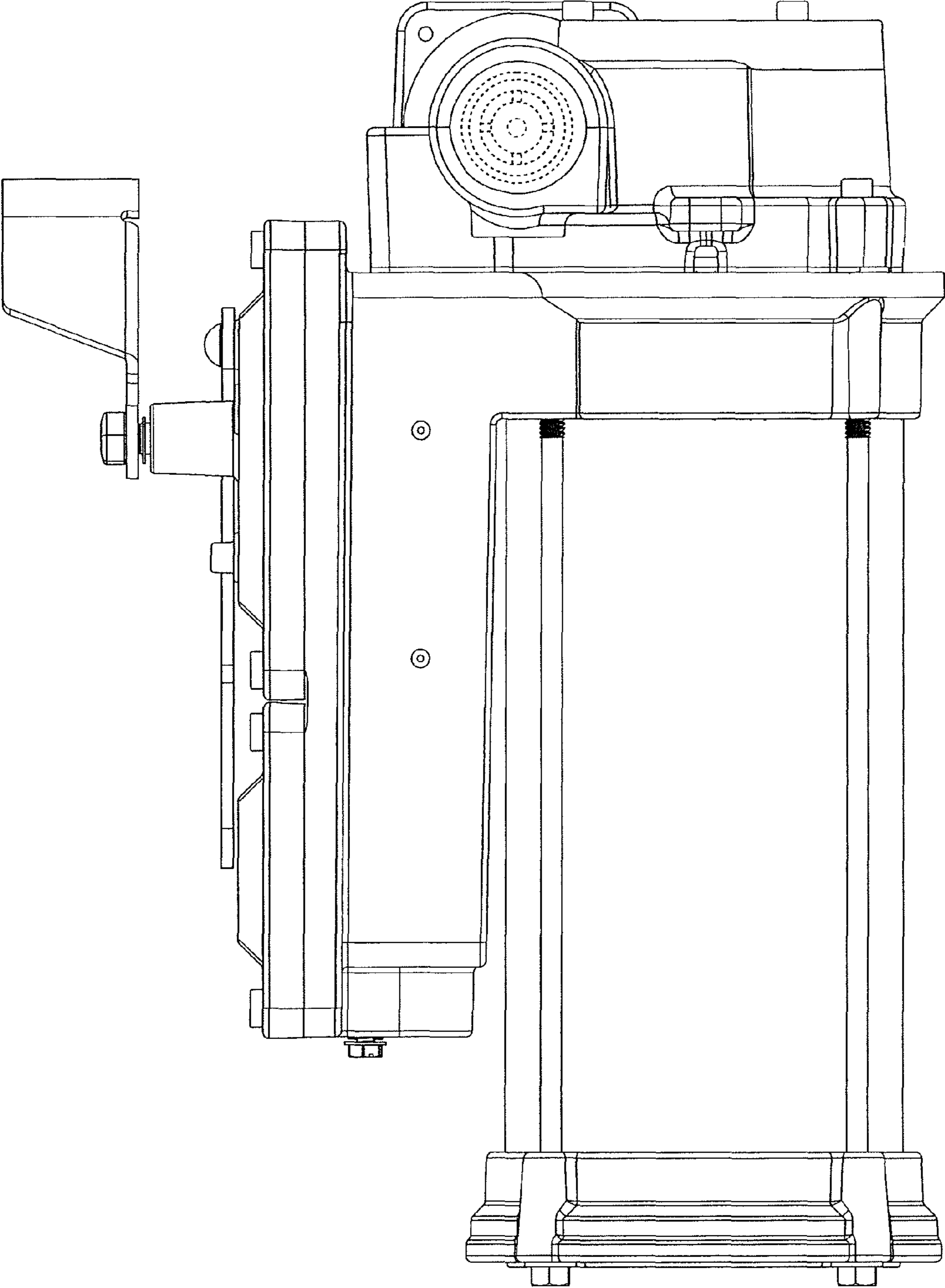


FIG. 7



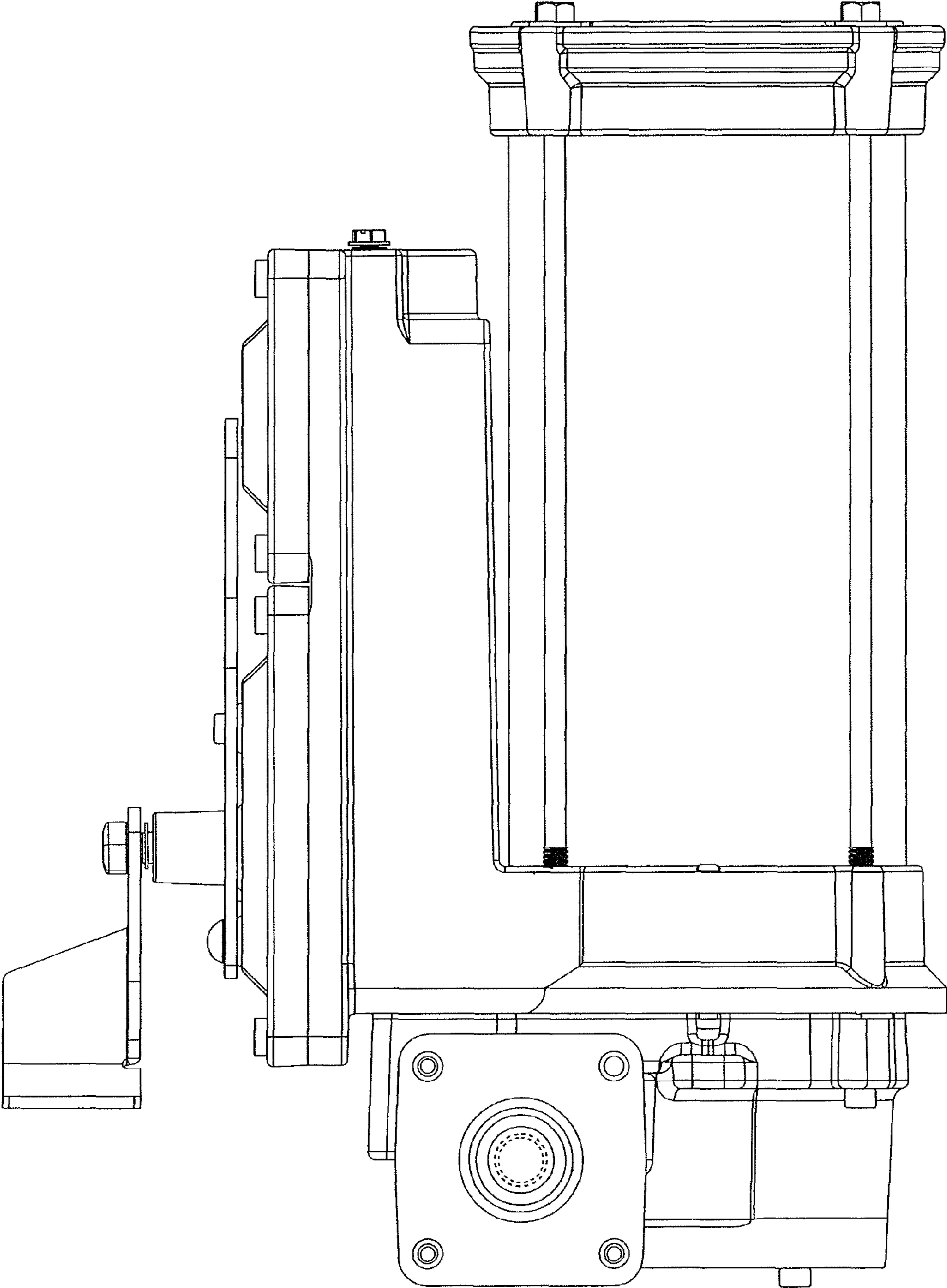


FIG. 8

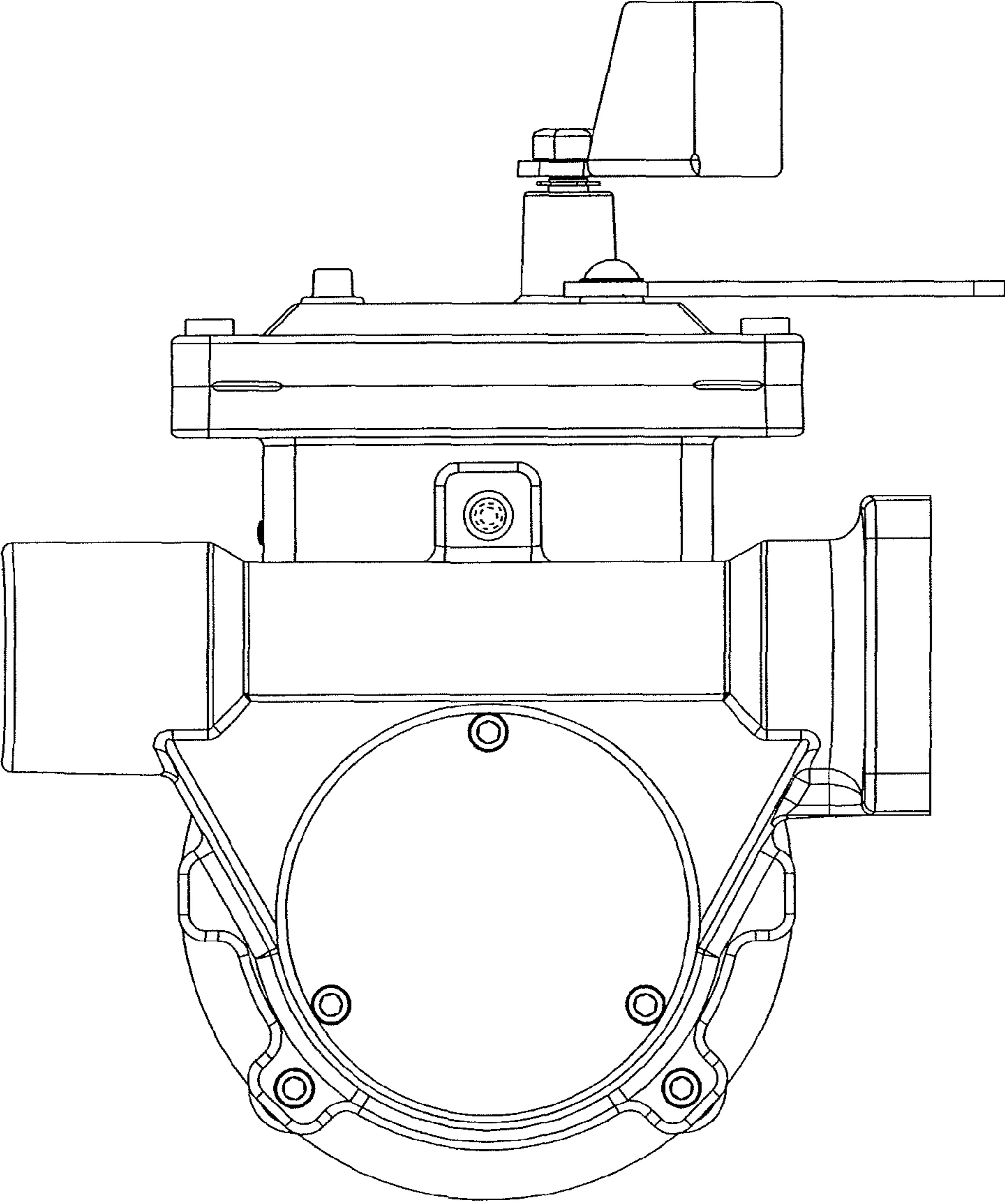


FIG. 9

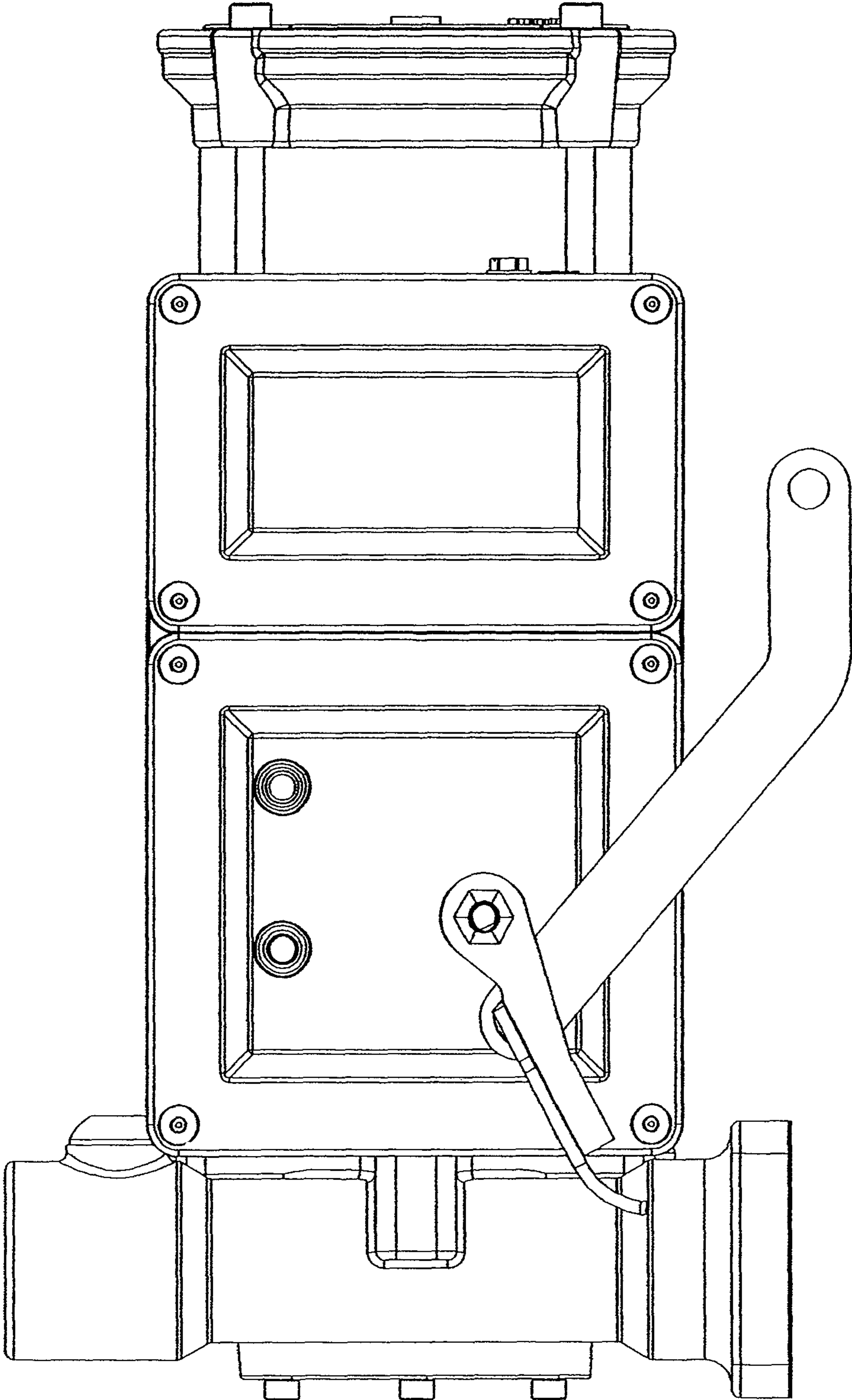


FIG. 10

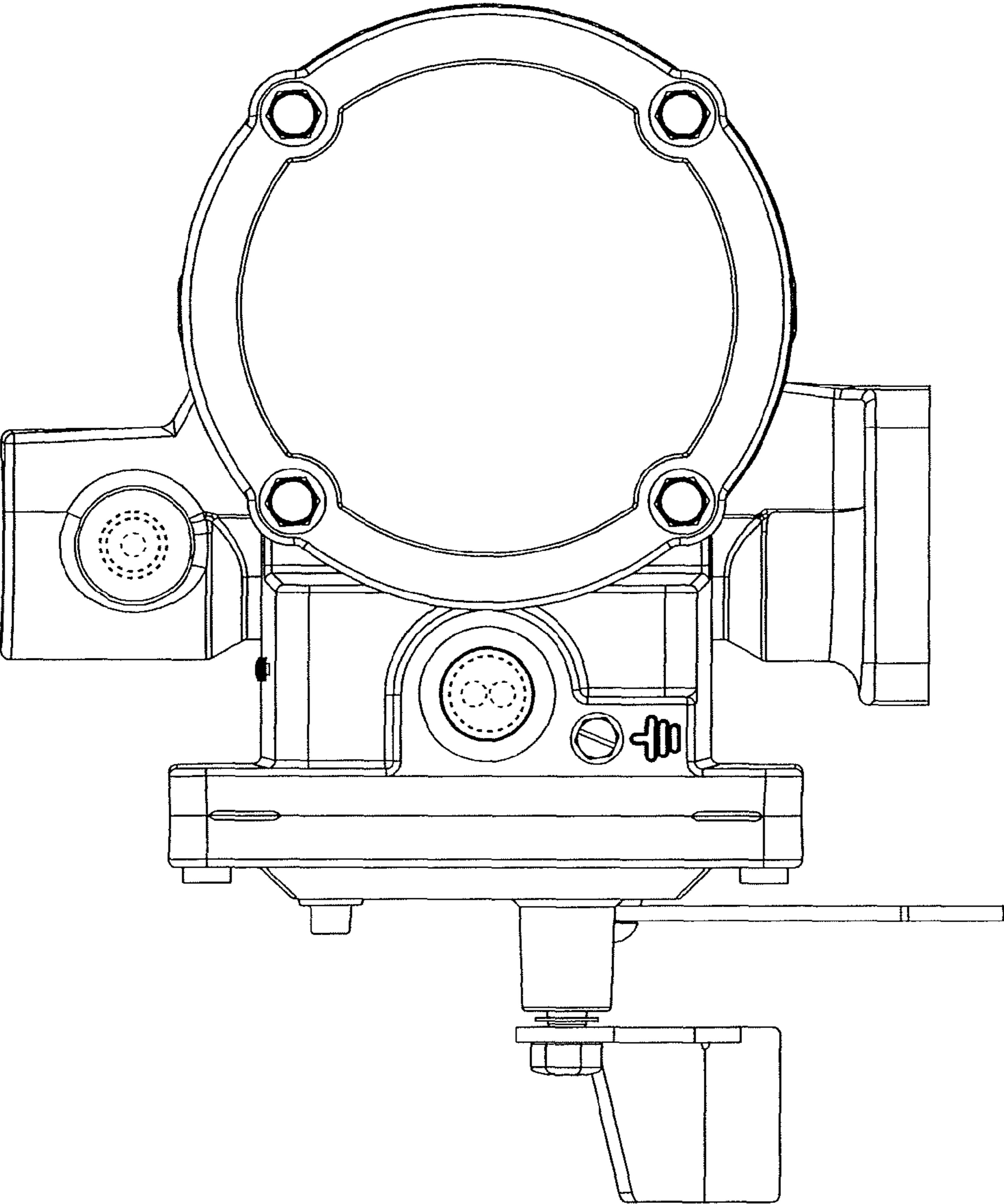


FIG. 11

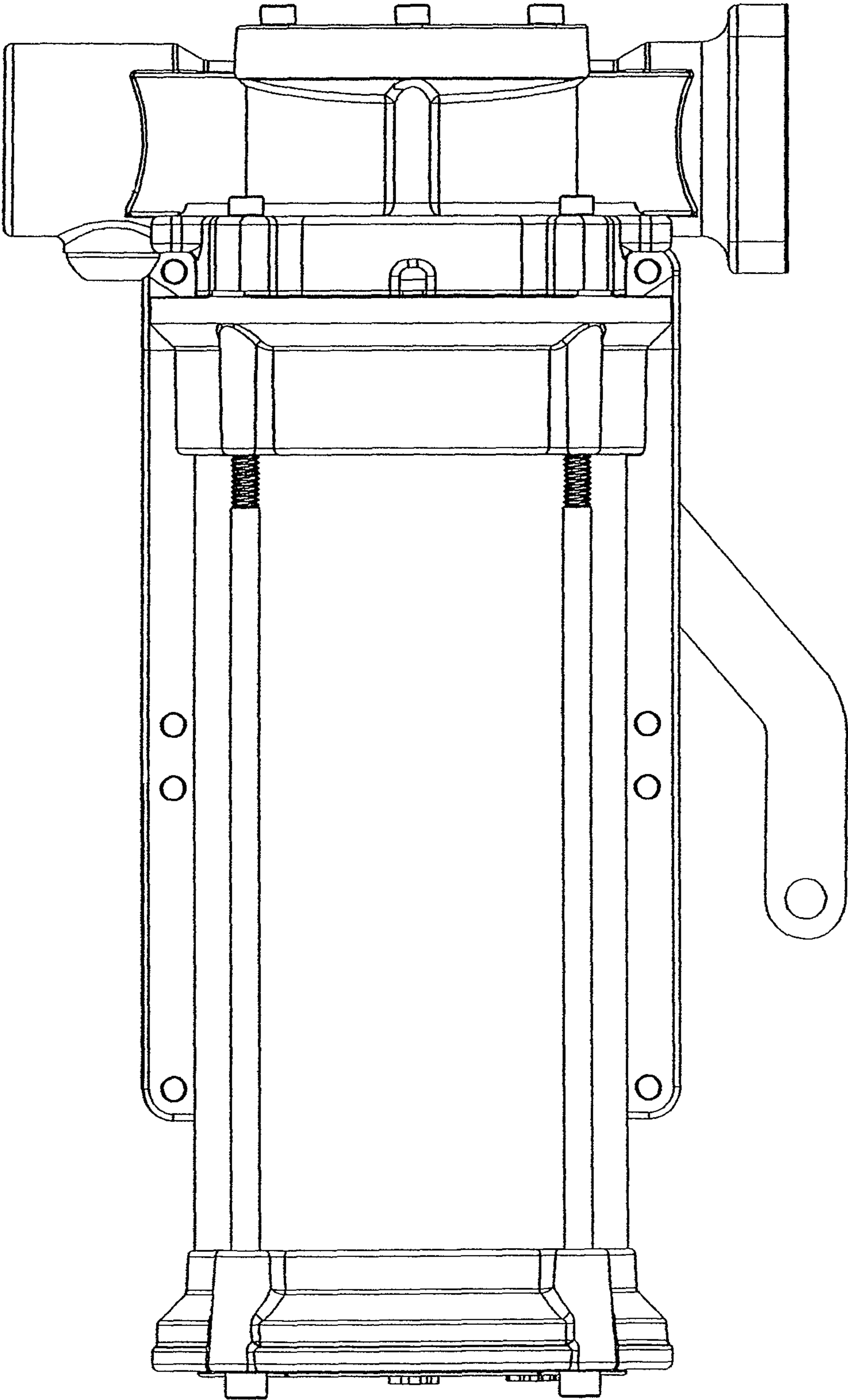


FIG. 12