



US00D680124S

(12) **United States Design Patent**
Benois

(10) **Patent No.:** **US D680,124 S**

(45) **Date of Patent:** **** *Apr. 16, 2013**

(54) **USB FLASH DRIVE**

(75) Inventor: **Laurent Benois**, Carrières sur Seine (FR)

(73) Assignee: **Linkeet**, Paris (FR)

(*) Notice: This patent is subject to a terminal disclaimer.

(**) Term: **14 Years**

(21) Appl. No.: **29/411,196**

(22) Filed: **Jan. 18, 2012**

(51) **LOC (9) Cl.** **14-02**

(52) **U.S. Cl.**
USPC **D14/480.7**; D14/436

(58) **Field of Classification Search** D14/411,
D14/433, 435, 435.1, 436–438, 480.1–480.7,
D14/484.1, 137, 155, 203.1–203.8, 240;
D13/133, 146–147, 154; 710/300, 301; 439/131,
439/135–147; 361/679.31, 679.33, 679.4,
361/752; 711/100, 115

See application file for complete search history.

(56) **References Cited**

U.S. PATENT DOCUMENTS

4,565,922	A *	1/1986	Anderson	235/492
D368,082	S *	3/1996	Goto	D14/435
D427,167	S *	6/2000	Iwasaki	D14/436
D442,598	S *	5/2001	Wallace et al.	D14/436
D452,690	S *	1/2002	Wallace et al.	D14/436
D457,887	S *	5/2002	Kadonaga	D14/436
D526,651	S *	8/2006	Hoogerdijk	D14/436
D545,166	S *	6/2007	Laaper	D8/105
7,264,172	B2 *	9/2007	Amiot et al.	235/486
D553,130	S *	10/2007	Fiorentino et al.	D14/436
D558,199	S *	12/2007	Fiorentino et al.	D14/436
7,306,160	B2 *	12/2007	Takiar et al.	235/492
D564,904	S *	3/2008	Leung	D10/31
7,344,072	B2 *	3/2008	Gonzalez et al.	235/441
D590,400	S *	4/2009	Hoogerdijk	D14/436
7,537,169	B2 *	5/2009	Gonzalez et al.	235/492
D647,530	S *	10/2011	Busch	D14/480.3
D656,147	S *	3/2012	Schlossstein	D14/480.6
D659,149	S *	5/2012	Andre	D14/480.6

D659,150	S *	5/2012	Andre	D14/480.7
D666,201	S *	8/2012	Gallagher et al.	D14/436
2012/0008268	A1 *	1/2012	Jiang et al.	361/679.4

OTHER PUBLICATIONS

OCZ Technology | Products | Flash Media | OCZ Ultra-Slim, Large-Capacity Mega-Kart USB 2.0 Flash Card, Web Archive [online] Oct. 4, 2006 [retrieved on Jul. 6, 2007]. Retrieved from the Internet <URL: http://web.archive.org/web/20061004132947/http://www.oczt.com/cz_ultra_slim-large_capacity_mega_kart_usb_2_0_flash_card>.*

USB Stick in Credit Card Size at Random Good Stuff—The Entertainment Blog, Web Archive [online] Mar. 17, 2007 [retrieved on Jul. 11, 2007]. Retrieved from the Internet <URL: <http://web.archive.org/web/20070317025112/http://www.random-good-stuff.com/index.php/2006/02/07/usb-stick-in-credit-card-size/>>.*

* cited by examiner

Primary Examiner — Karen E Kearney

(74) *Attorney, Agent, or Firm* — Jordan IP Law, LLC; Todd A. Vaughn

(57) **CLAIM**

The ornamental design for a USB flash drive, as shown and described.

DESCRIPTION

FIG. 1 is a top, front perspective view of a USB flash drive in an inserted position.

FIG. 2 is a top, front perspective view of a USB flash drive in an extracted position.

FIG. 3 is an enlarged, bottom, front perspective view of a USB flash drive in an inserted position, shown separately for ease of illustration.

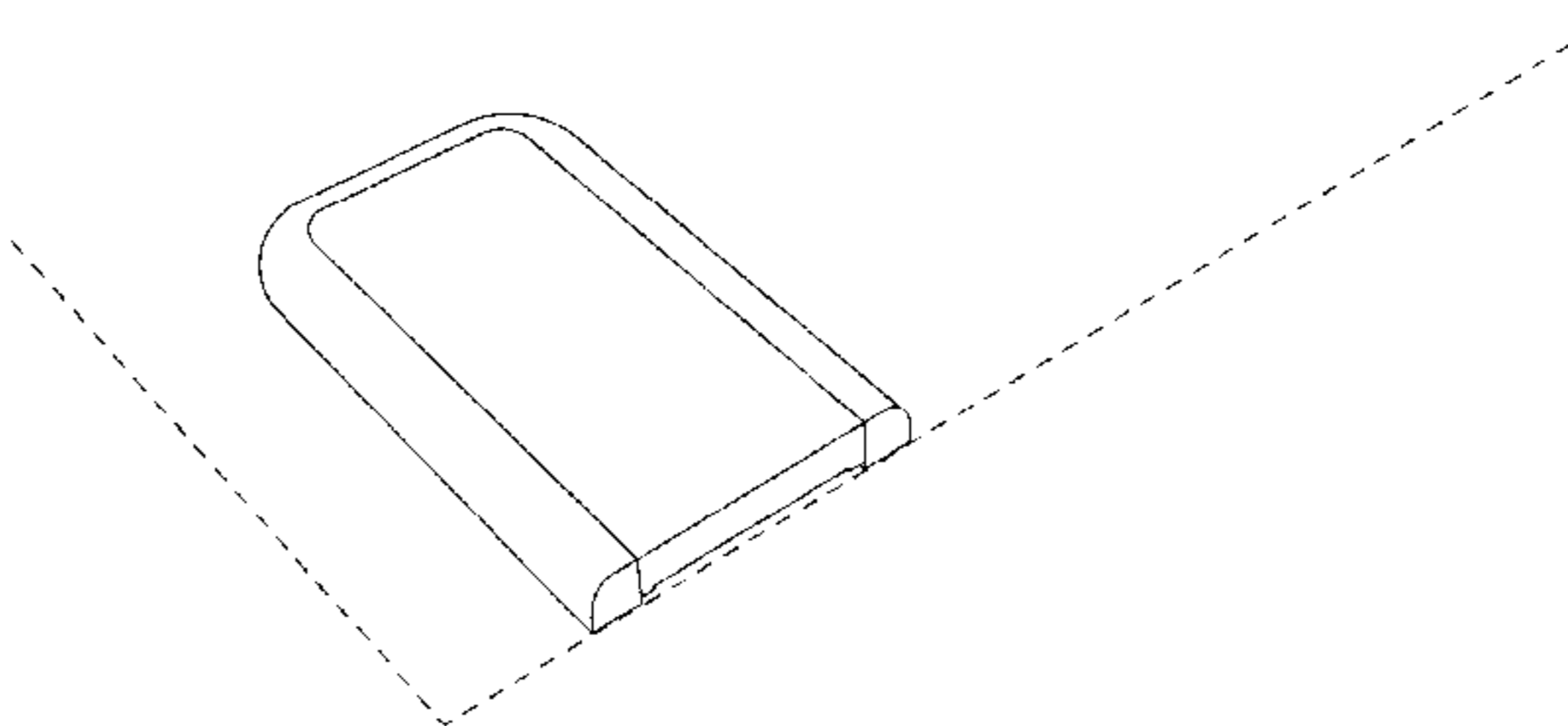
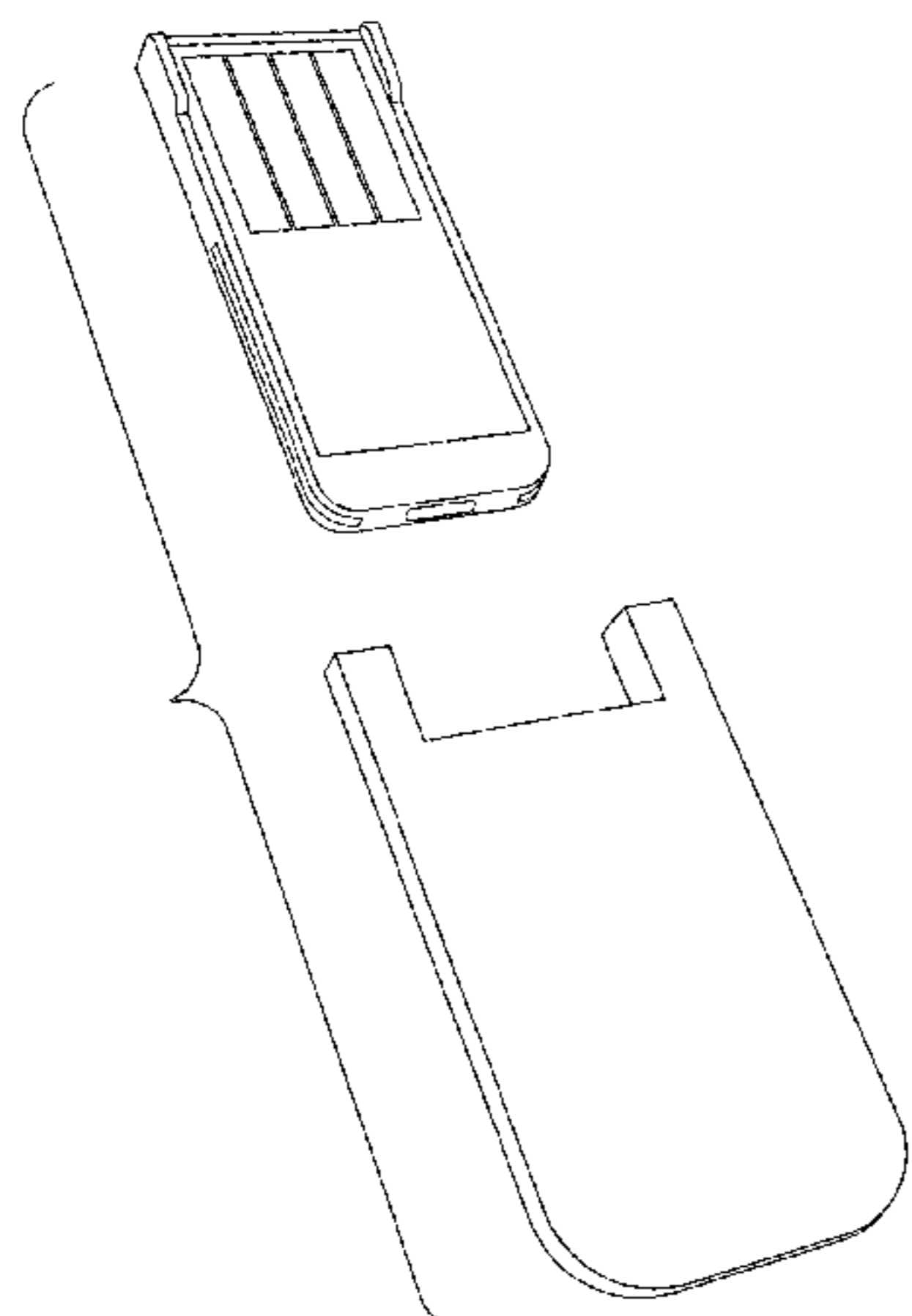
FIG. 4 illustrates an enlarged, bottom, front perspective view of a USB flash drive in an extracted position, shown separately for ease of illustration.

FIG. 5 illustrates an enlarged, top, rear perspective view of a USB flash drive in an inserted position; and,

FIG. 6 illustrates an enlarged, top, rear perspective view of the USB flash drive in an extracted position.

The broken line showing is included for the purpose of illustrating environmental structure and forms no part of the claimed design.

1 Claim, 3 Drawing Sheets



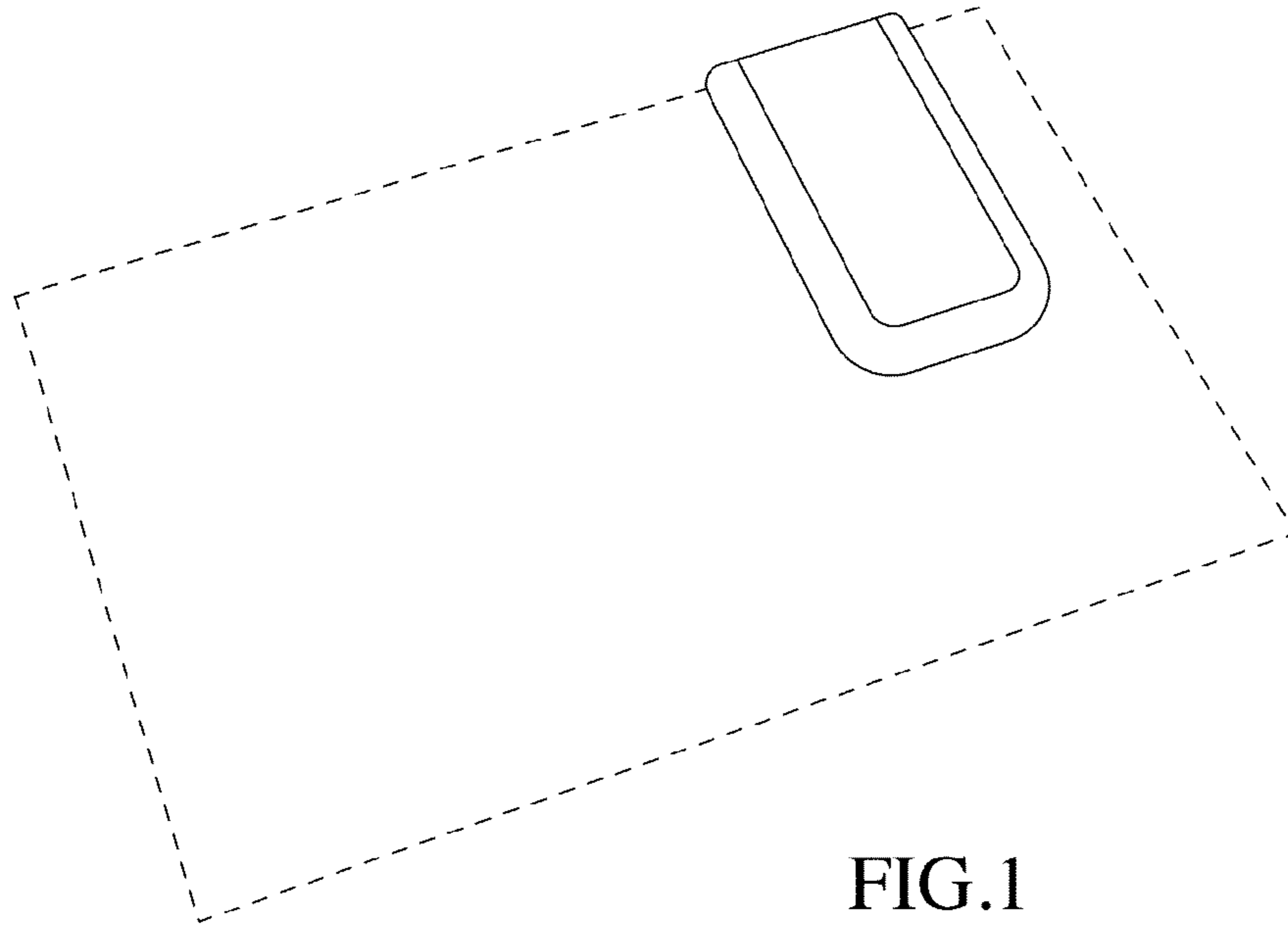


FIG. 1

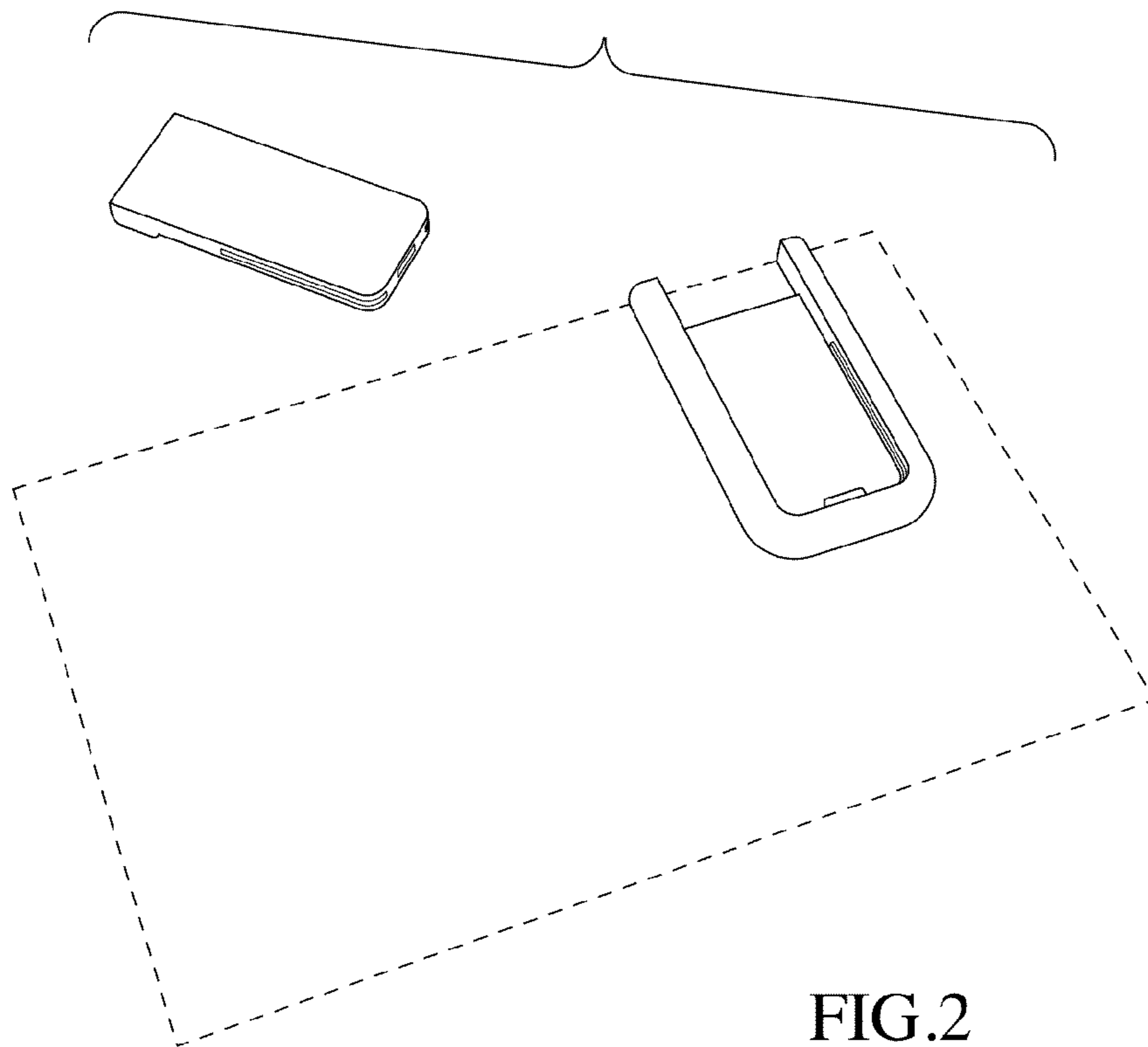


FIG. 2

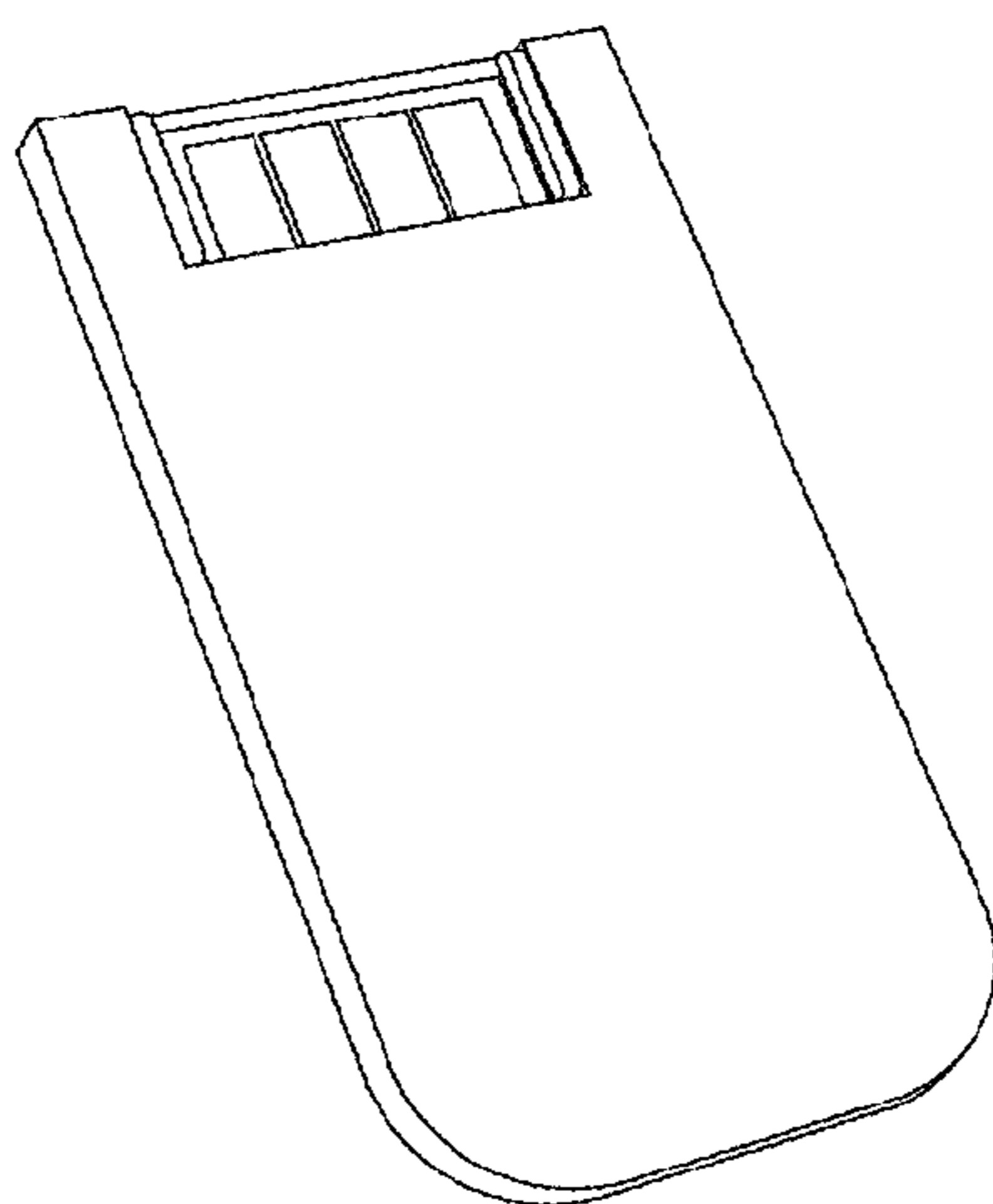


FIG. 3

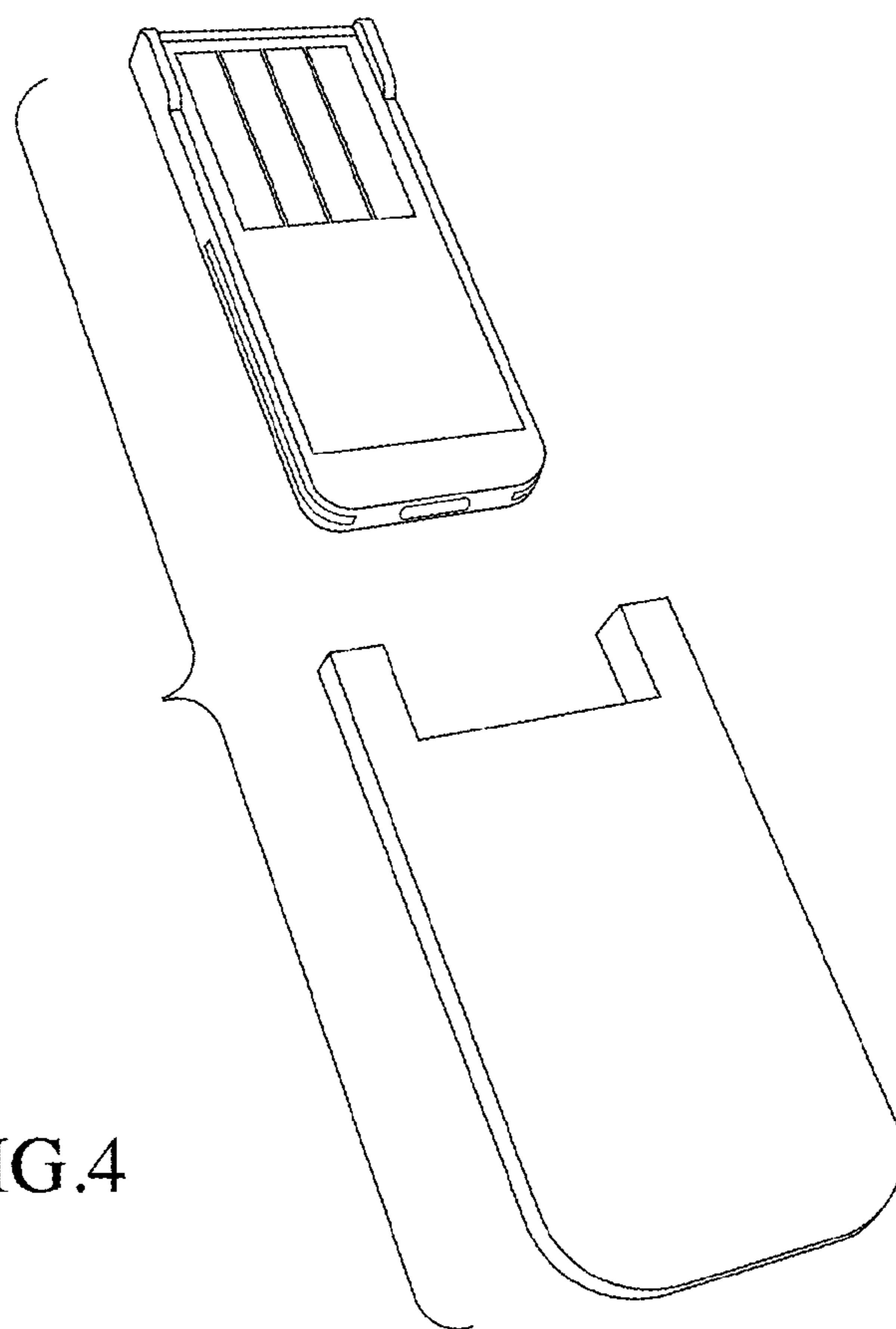


FIG. 4

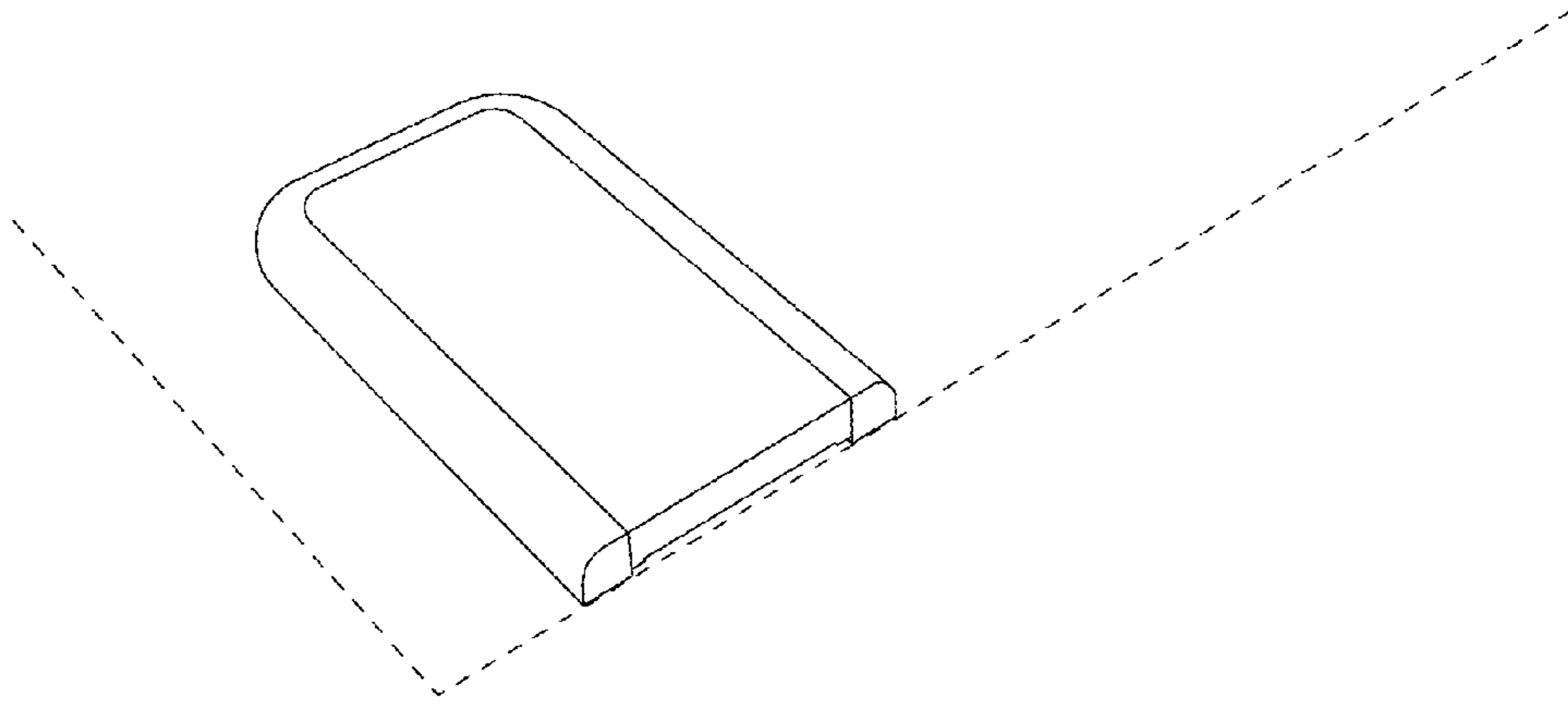


FIG. 5

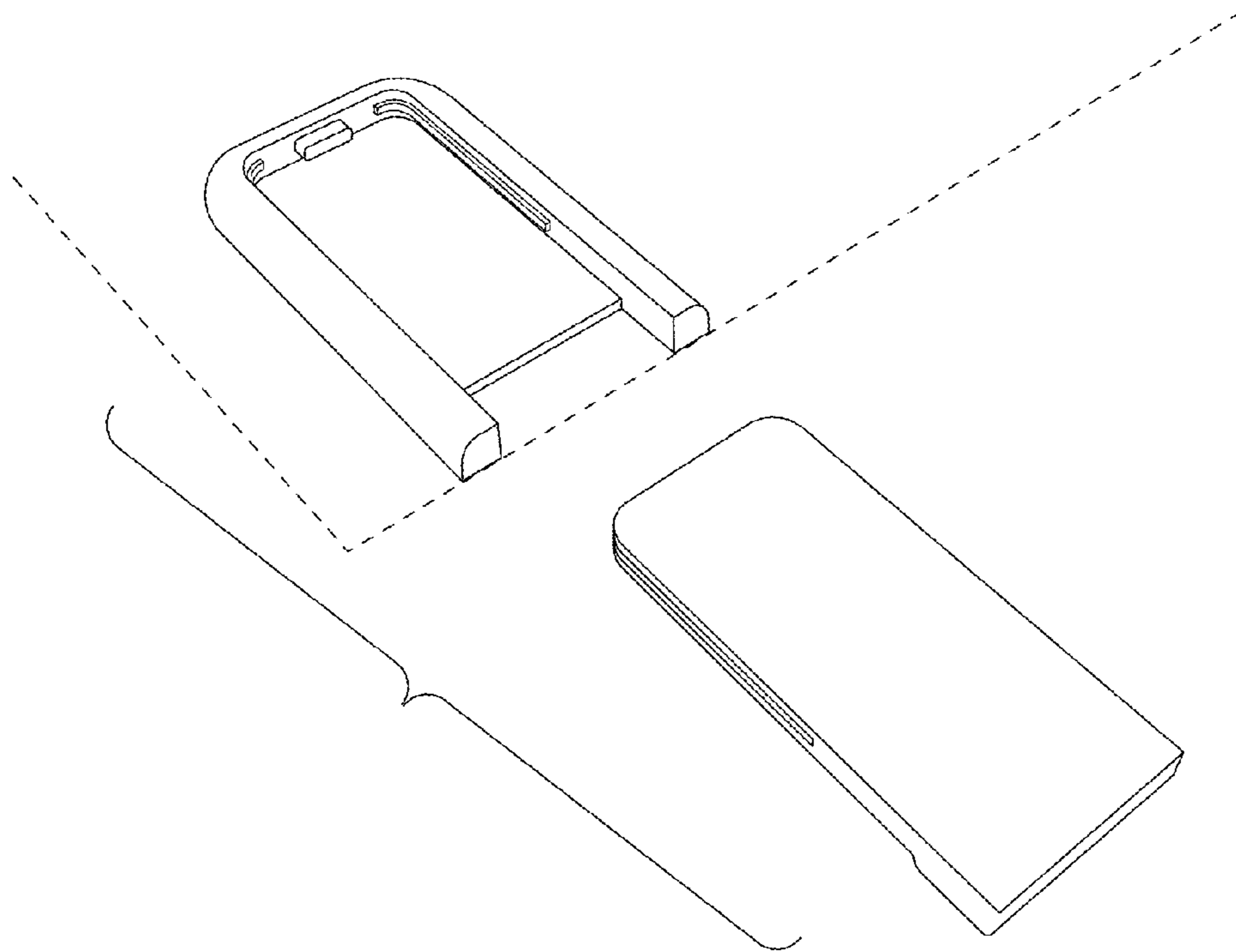


FIG. 6