



US00D680123S

(12) **United States Design Patent**  
**Benois**

(10) **Patent No.:** **US D680,123 S**  
(45) **Date of Patent:** **\*\* Apr. 16, 2013**

- (54) **USB FLASH DRIVE**
- (75) Inventor: **Laurent Benois**, Carrières sur Seine (FR)
- (73) Assignee: **Linkeet**, Paris (FR)
- (\*\*) Term: **14 Years**
- (21) Appl. No.: **29/411,214**
- (22) Filed: **Jan. 18, 2012**
- (51) **LOC (9) Cl.** ..... **14-02**
- (52) **U.S. Cl.**  
USPC ..... **D14/480.5**
- (58) **Field of Classification Search** ..... D14/411,  
D14/433, 435, 435.1, 436–438, 480.1–480.7,  
D14/484.1, 137, 155, 203.1–203.8, 240;  
D13/133, 146–147, 154; 710/300, 301; 439/131,  
439/135–147; 361/679.31, 679.33, 679.4,  
361/752; 711/100, 115  
See application file for complete search history.

(56) **References Cited**

U.S. PATENT DOCUMENTS

4,565,922	A *	1/1986	Anderson	.....	235/492
D368,082	S *	3/1996	Goto	.....	D14/435
D427,167	S *	6/2000	Iwasaki	.....	D14/436
D452,244	S *	12/2001	Wallace et al.	.....	D14/436
D452,245	S *	12/2001	Wallace et al.	.....	D14/436
D452,865	S *	1/2002	Wallace et al.	.....	D14/436
D453,934	S *	2/2002	Wallace et al.	.....	D14/436
D457,887	S *	5/2002	Kadonaga	.....	D14/436
D458,935	S *	6/2002	Hiroki	.....	D14/436
D545,166	S *	6/2007	Laaper	.....	D8/105
7,264,172	B2 *	9/2007	Amiot et al.	.....	235/486

(Continued)

OTHER PUBLICATIONS

OCZ Technology | Products | Flash Media | OCZ Ultra-Slim, Large-Capacity Mega-Kart USB 2.0 Flash Card, Web Archive [online] Oct.

4, 2006 [retrieved on Jul. 6, 2007]. Retrieved from the Internet <URL: [http://web.archive.org/web/20061004132947/http://www.oczt...cz\\_ultra\\_slim-large\\_capacity\\_mega\\_kart\\_usb\\_2\\_0\\_flash\\_card](http://web.archive.org/web/20061004132947/http://www.oczt...cz_ultra_slim-large_capacity_mega_kart_usb_2_0_flash_card)>.\*

(Continued)

*Primary Examiner* — Karen E Kearney

(74) *Attorney, Agent, or Firm* — Jordan IP Law, LLC; Todd A. Vaughn

(57) **CLAIM**

The ornamental design for a USB flash drive, as shown and described.

**DESCRIPTION**

FIG. 1 is a top, front, left perspective view of a USB flash drive in an inserted position.

FIG. 2 is a perspective view of a USB flash drive in an extracted position, showing the bottom, front, right of the USB flash drive and the top, front, left of its carrier.

FIG. 3 is an enlarged, top, rear, right perspective view of a USB flash drive in an inserted position.

FIG. 4 is an enlarged, top, rear, right perspective view (from the front) of a USB flash drive in an extracted position

FIG. 5 is a top, front, right perspective view of a USB flash drive in an inserted position, shown separately for ease of illustration.

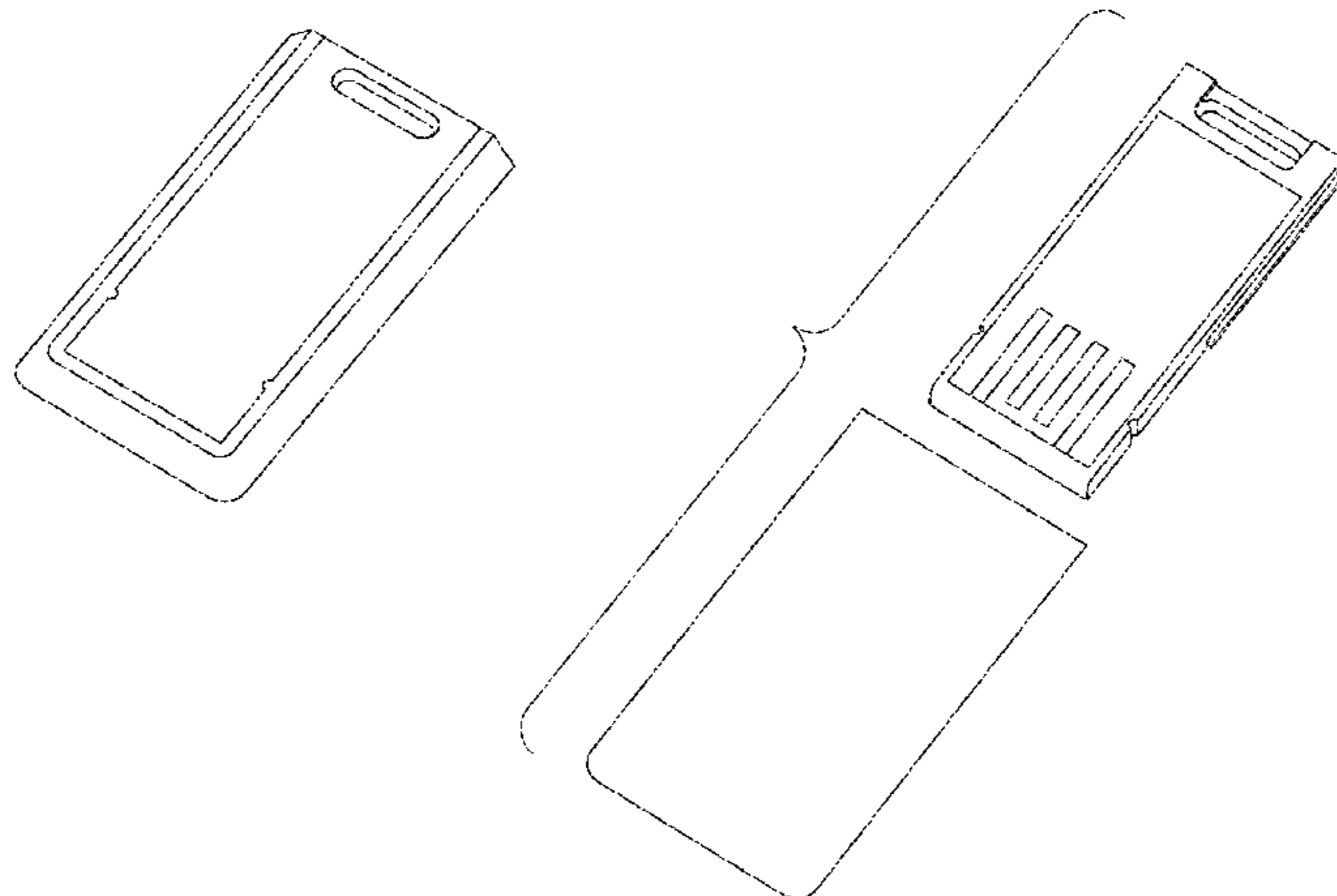
FIG. 6 is a top, front, right perspective view of a USB flash drive in an extracted position, shown separately for ease of illustration.

FIG. 7 is an enlarged, bottom, front, left perspective view of a USB flash drive in an inserted position, shown separately for ease of illustration; and,

FIG. 8 is an enlarged, bottom, front, left perspective view of a USB flash drive in an extracted position, shown separately for ease of illustration.

The broken line showing is included for the purpose of illustrating environmental structure and forms no part of the claimed design.

**1 Claim, 4 Drawing Sheets**



# US D680,123 S

Page 2

---

## U.S. PATENT DOCUMENTS

D553,130 S \* 10/2007 Fiorentino ..... D14/436  
D558,199 S \* 12/2007 Fiorentino ..... D14/436  
7,306,160 B2 \* 12/2007 Takiar et al. .... 235/492  
D564,904 S \* 3/2008 Leung ..... D10/31  
7,344,072 B2 \* 3/2008 Gonzalez et al. .... 235/441  
7,537,169 B2 \* 5/2009 Gonzalez et al. .... 235/492  
D647,097 S \* 10/2011 Tung et al. .... D14/480.1  
D647,530 S \* 10/2011 Busch ..... D14/480.3  
8,059,414 B2 \* 11/2011 Wei ..... 361/737  
D658,665 S \* 5/2012 Akana et al. .... D14/480.1  
D659,149 S \* 5/2012 Andre ..... D14/480.6  
D659,150 S \* 5/2012 Andre ..... D14/480.7  
D666,201 S \* 8/2012 Gallagher et al. .... D14/436

## OTHER PUBLICATIONS

USB Stick in Credit Card Size at Random Good Stuff—The Entertainment Blog, Web Archive [online] Mar. 17, 2007 [retrieved on Jul. 11, 2007]. Retrieved from the Internet <URL: <http://web.archive.org/web/20070317025112/http://www.random-good-stuff.com/index.php/2006/02/07/usb-stick-in-credit-card-size/>>.\*

\* cited by examiner

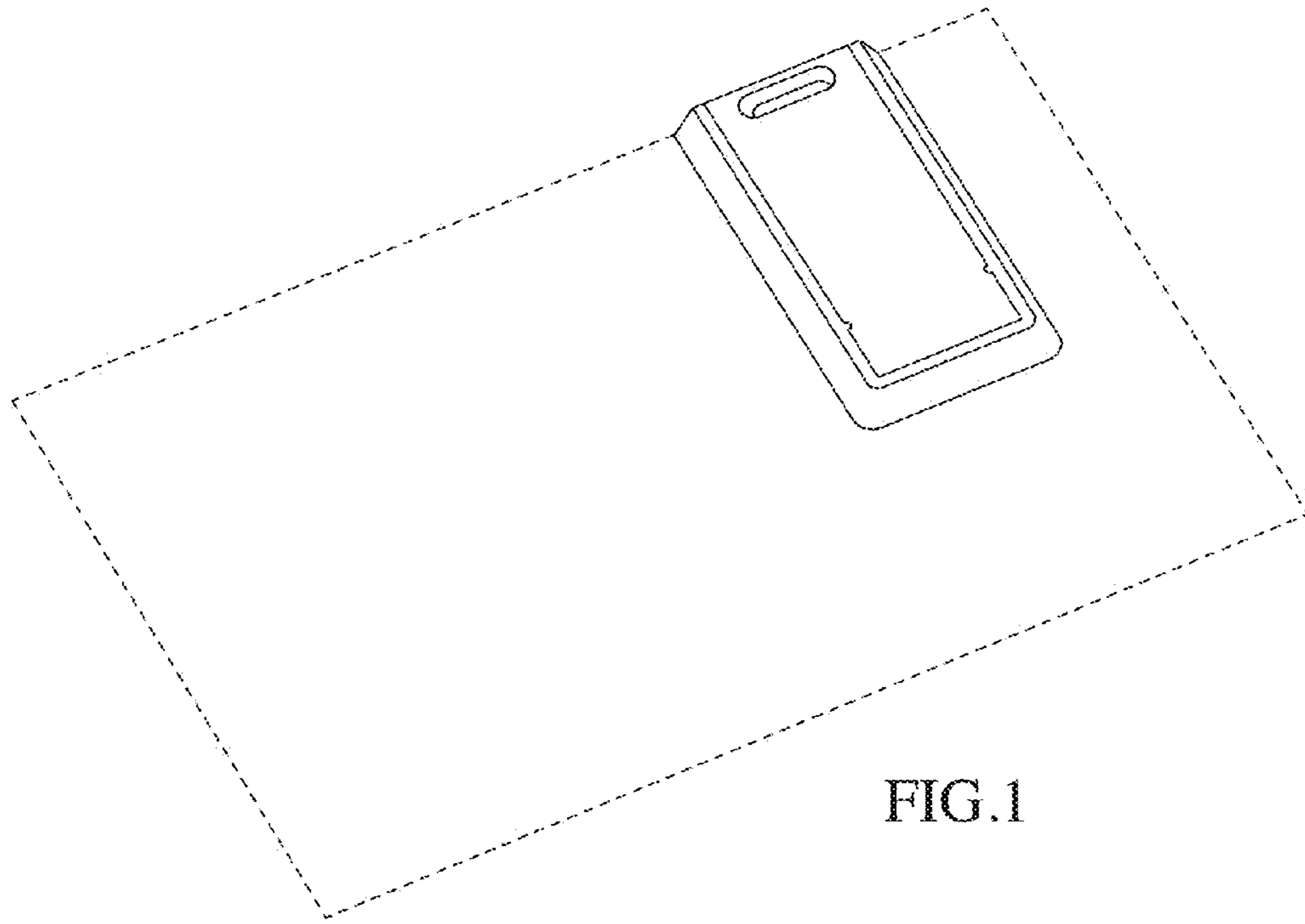


FIG. 1

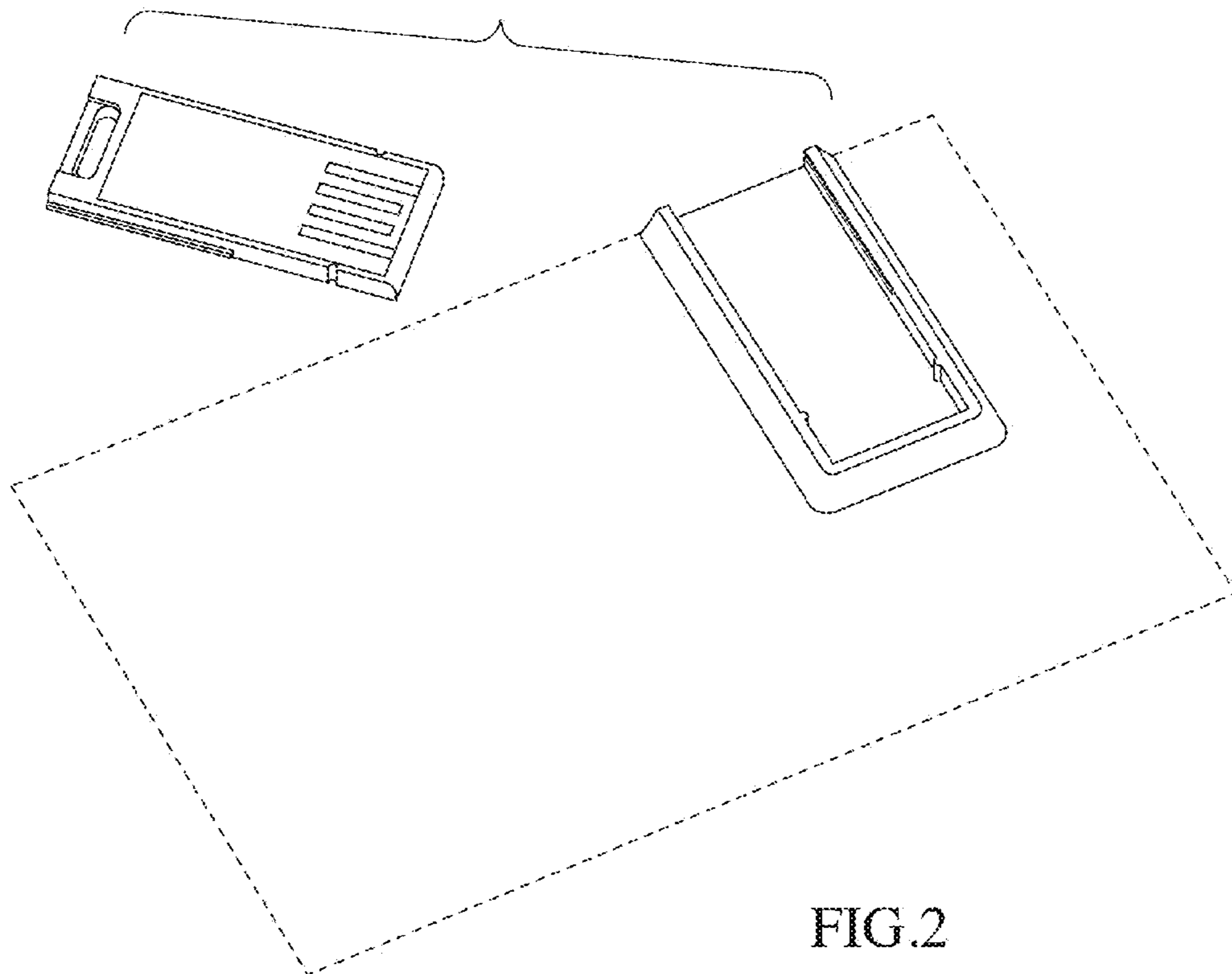


FIG. 2

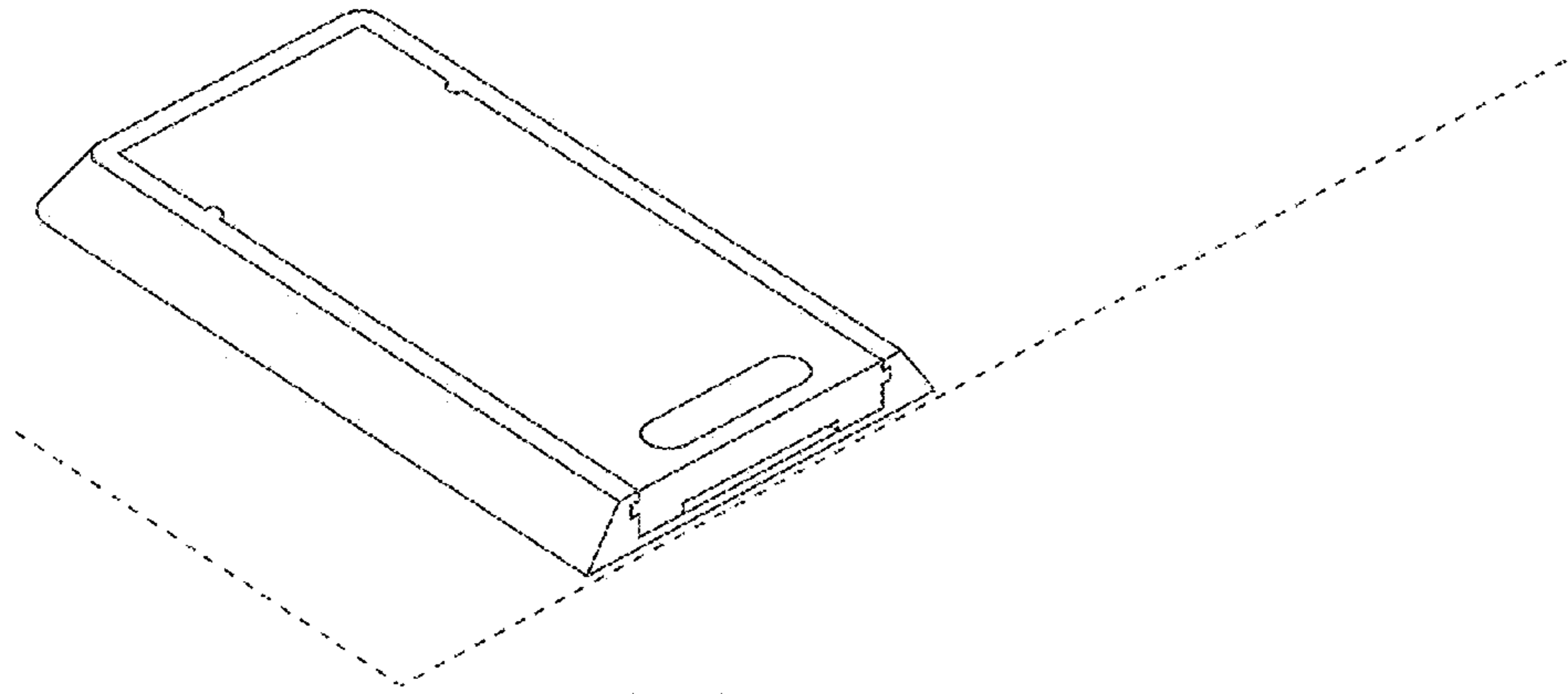


FIG. 3

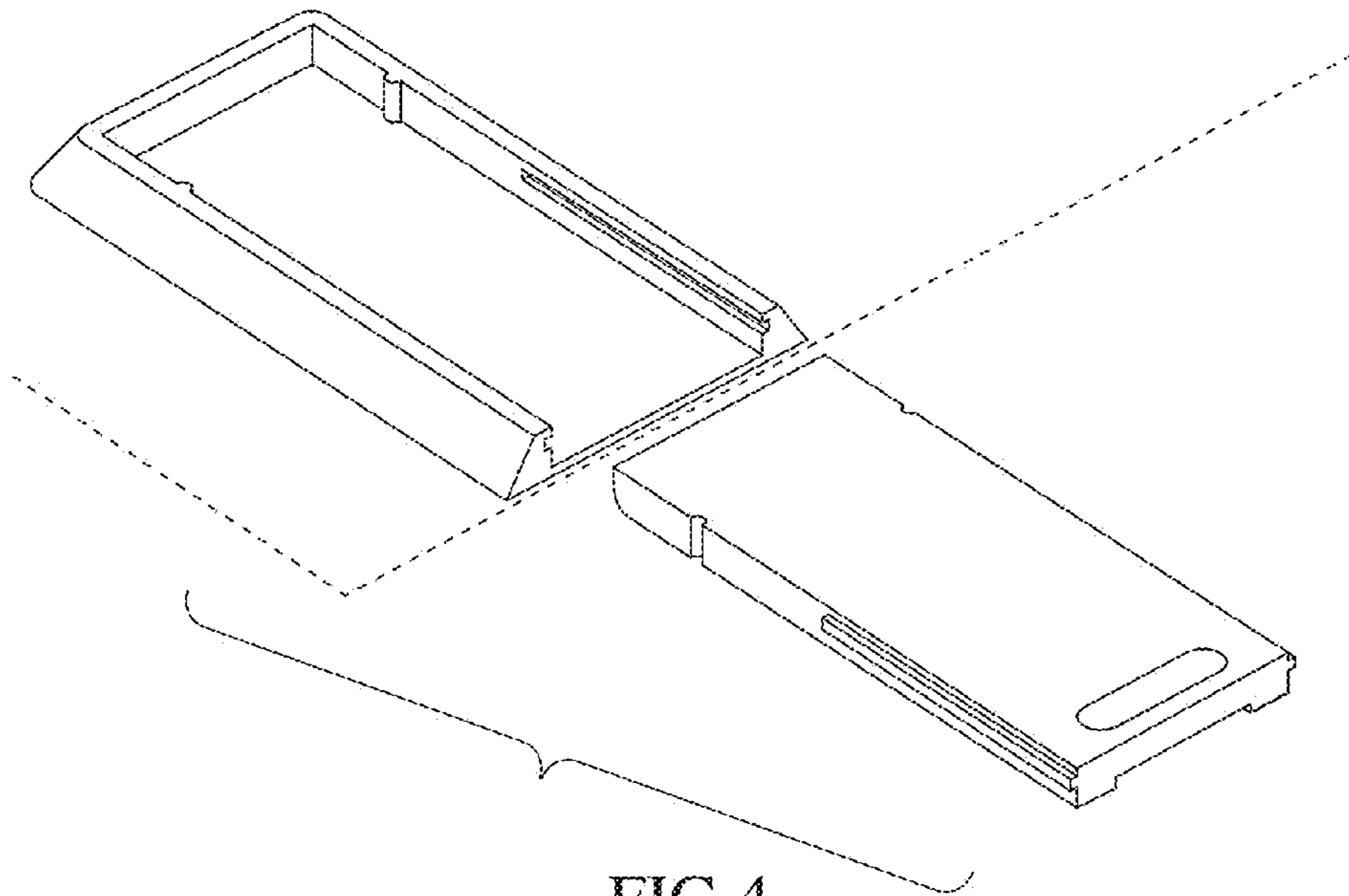


FIG. 4

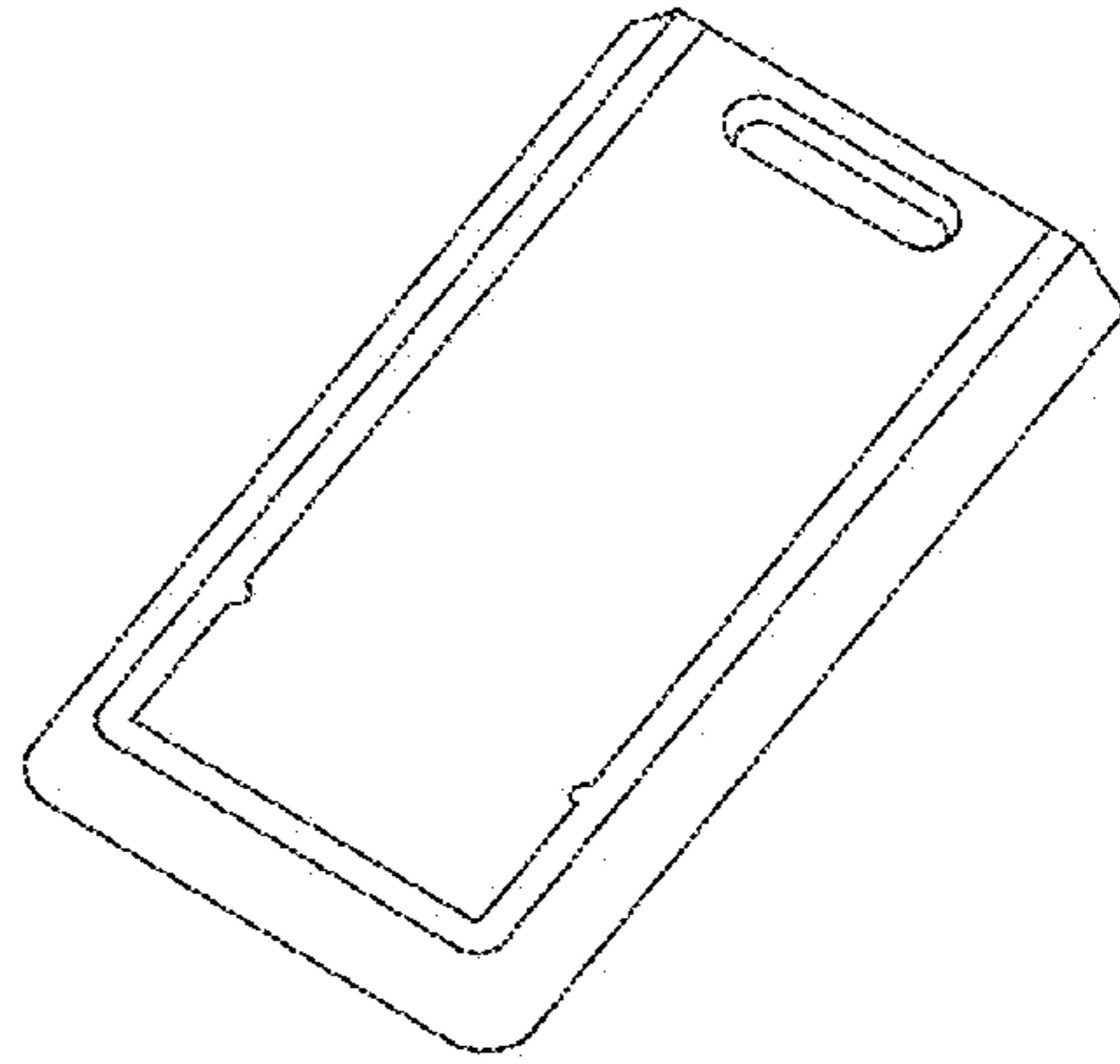


FIG. 5

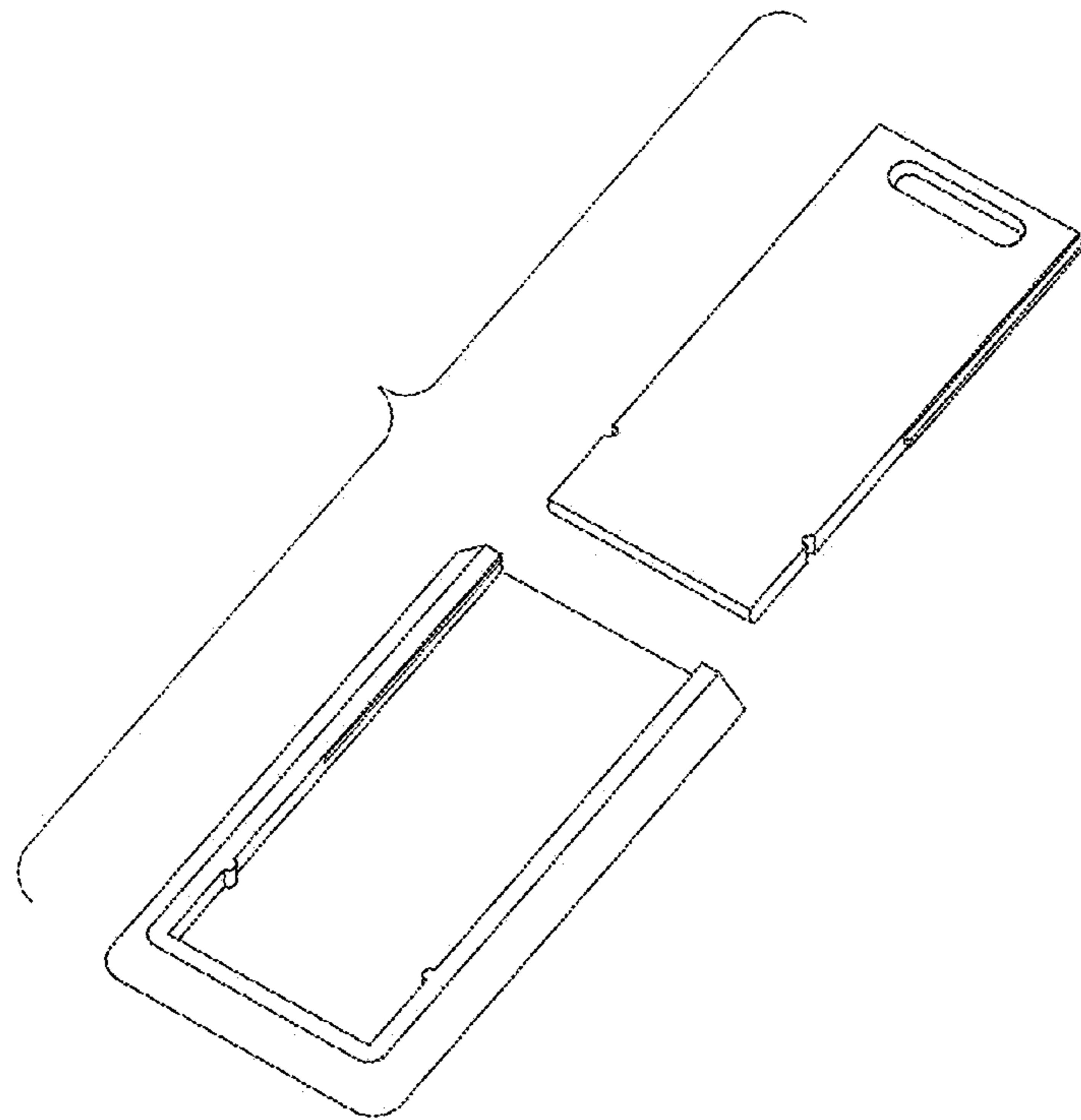


FIG. 6

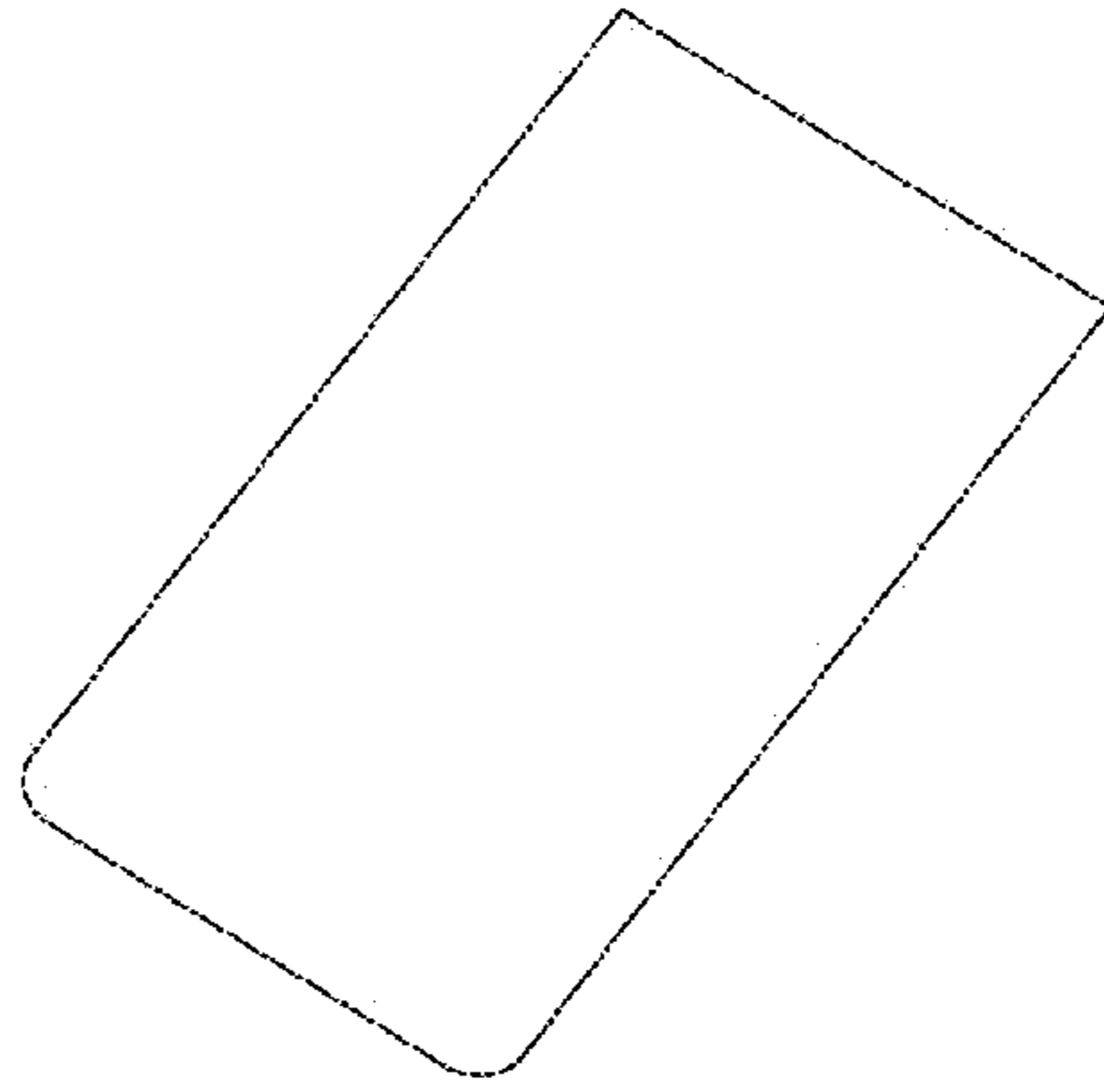


FIG. 7

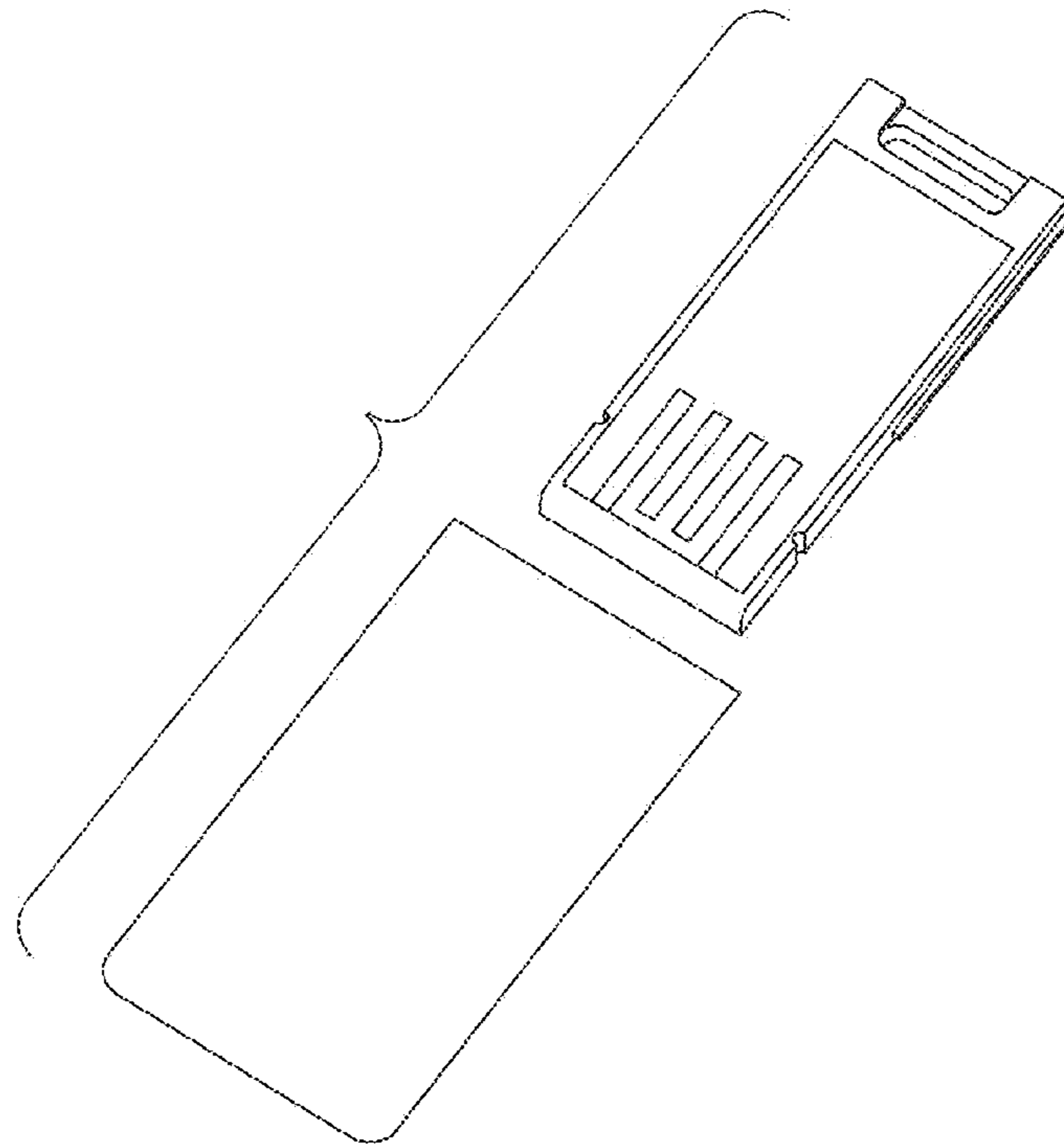


FIG. 8