



US00D680122S

(12) **United States Design Patent**
Yang

(10) **Patent No.:** **US D680,122 S**
(45) **Date of Patent:** **** Apr. 16, 2013**

- (54) **TABLET STAND**
- (71) Applicant: **Chao-Chi Yang**, Kaohsiung (TW)
- (72) Inventor: **Chao-Chi Yang**, Kaohsiung (TW)
- (**) Term: **14 Years**
- (21) Appl. No.: **29/435,950**
- (22) Filed: **Oct. 31, 2012**
- (51) **LOC (9) Cl.** **08-07**
- (52) **U.S. Cl.**
USPC **D14/447**
- (58) **Field of Classification Search** D14/447,
D14/448, 451, 452, 440, 432, 434, 439, 457,
D14/238.1, 217, 251, 252, 253, 239; D6/406.3,
D6/406.4, 406.5, 406.6; 361/679.09, 679.26,
361/679.27, 679.28, 679.29, 679.3, 679.55,
361/679.56; 248/917-924, 133, 136, 139,
248/150, 176.1, 188.6, 288.31
See application file for complete search history.

- D646,903 S * 10/2011 Santana D6/310
- D648,727 S * 11/2011 Van Den Nieuwenhuizen
et al. D14/447
- 8,220,767 B2 * 7/2012 Lin 248/370
- D672,782 S * 12/2012 Gross D14/447
- 2011/0170246 A1 * 7/2011 Chu 361/679.01

* cited by examiner

Primary Examiner — Angela J Lee
(74) *Attorney, Agent, or Firm* — patenttm.us

(57) **CLAIM**
The ornamental design for a tablet stand, as shown and described.

DESCRIPTION

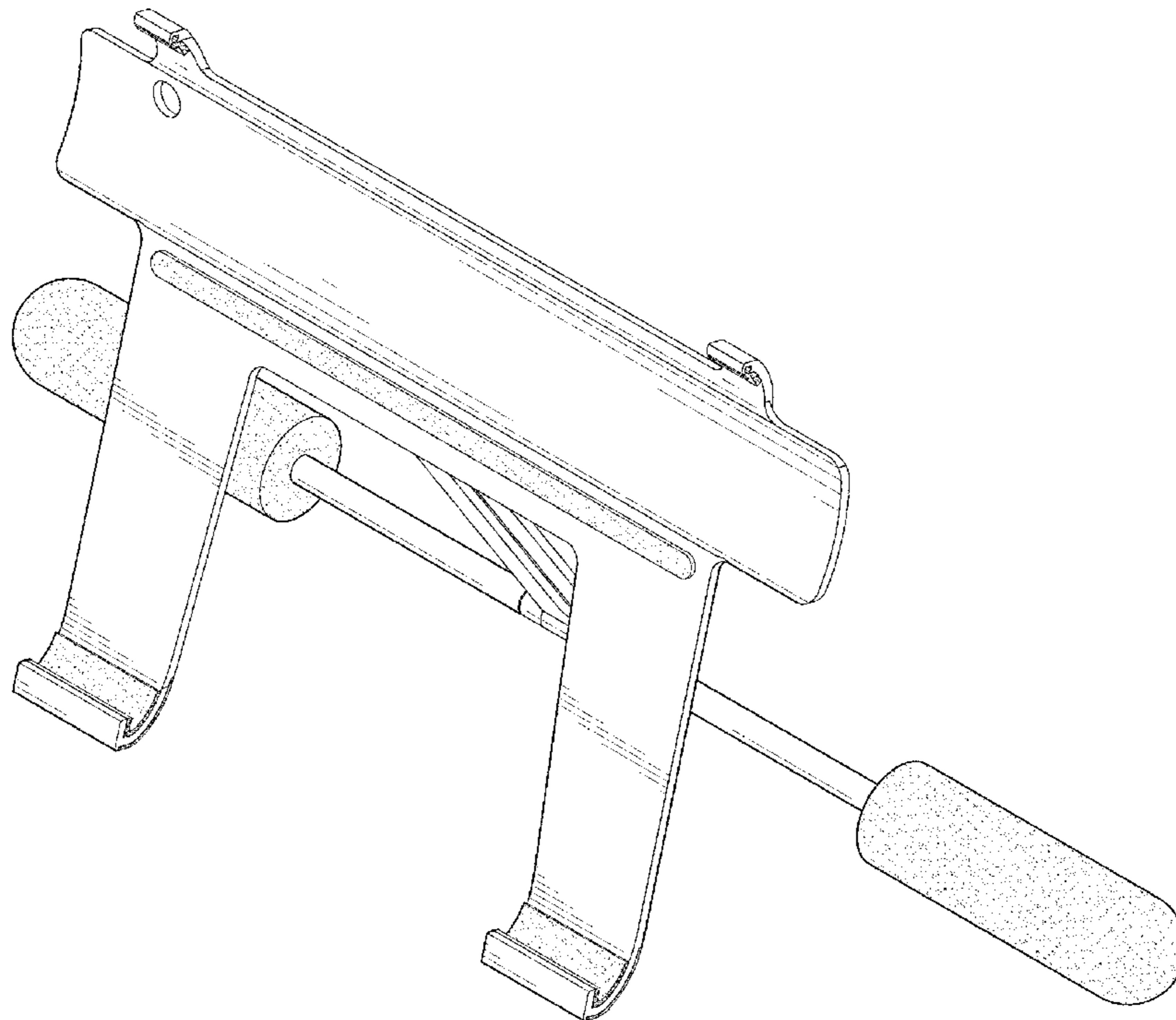
FIG. 1 is a perspective view of a tablet stand showing my new design;
 FIG. 2 is a front view thereof;
 FIG. 3 is a rear view thereof;
 FIG. 4 is a left side view thereof;
 FIG. 5 is a right side view thereof;
 FIG. 6 is a top view thereof;
 FIG. 7 is a bottom view thereof;
 FIG. 8 is another perspective view thereof;
 FIG. 9 is an operational perspective view thereof showing the tablet horizontally supported by the tablet stand; and,
 FIG. 10 is another operational perspective view thereof showing the tablet vertically supported by the tablet stand.
 The broken lines are shown for illustrative purposes only and form no part of the claimed design.

1 Claim, 9 Drawing Sheets

(56) **References Cited**

U.S. PATENT DOCUMENTS

- D449,598 S * 10/2001 Britto et al. D14/253
- 6,547,202 B2 * 4/2003 Paton 248/453
- D510,357 S * 10/2005 Lye D14/447
- D588,140 S * 3/2009 Hsu et al. D14/447
- D596,187 S * 7/2009 Martell D14/447
- D639,815 S * 6/2011 Lye D14/447
- D645,867 S * 9/2011 Wong et al. D14/447



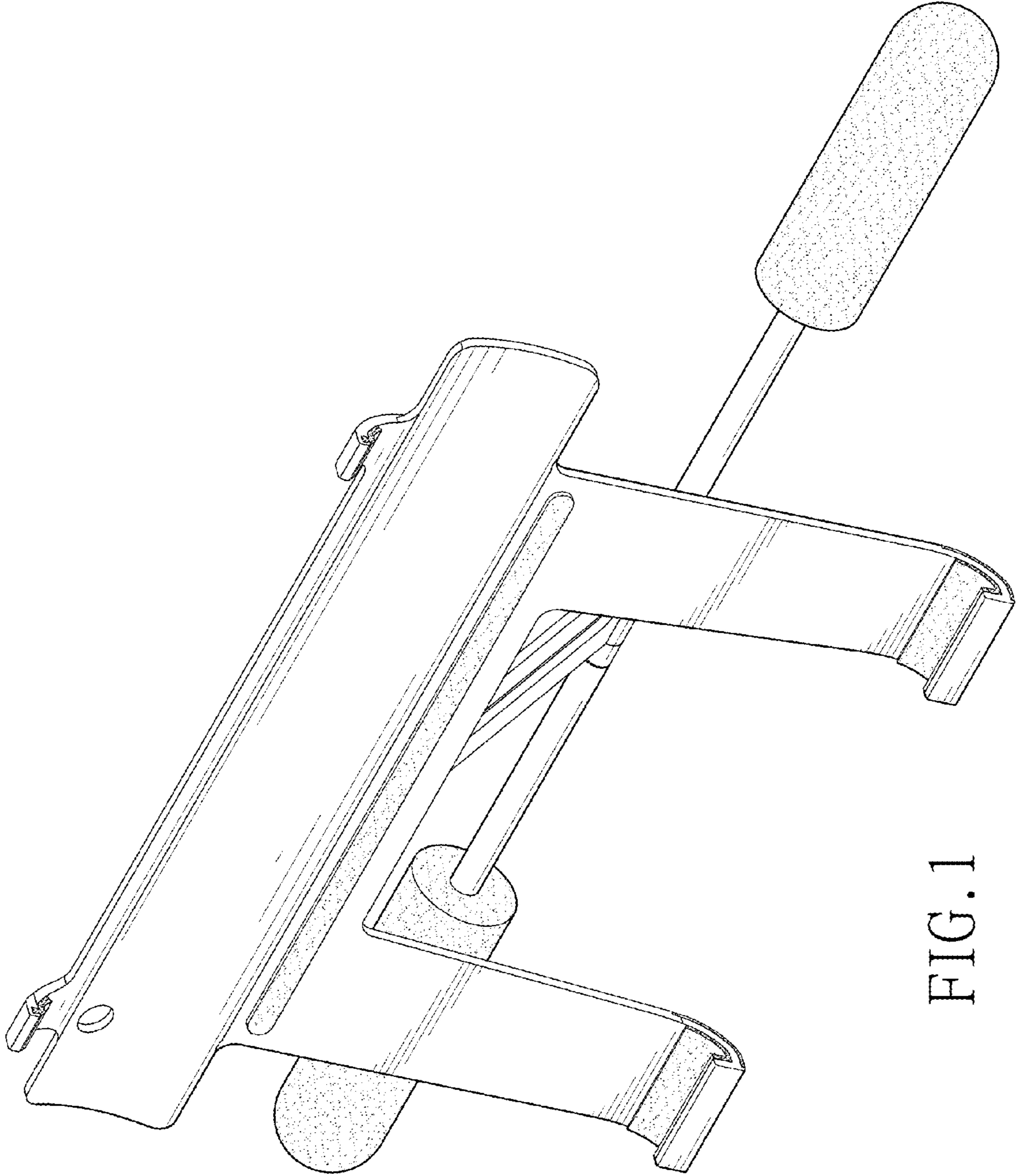


FIG. 1

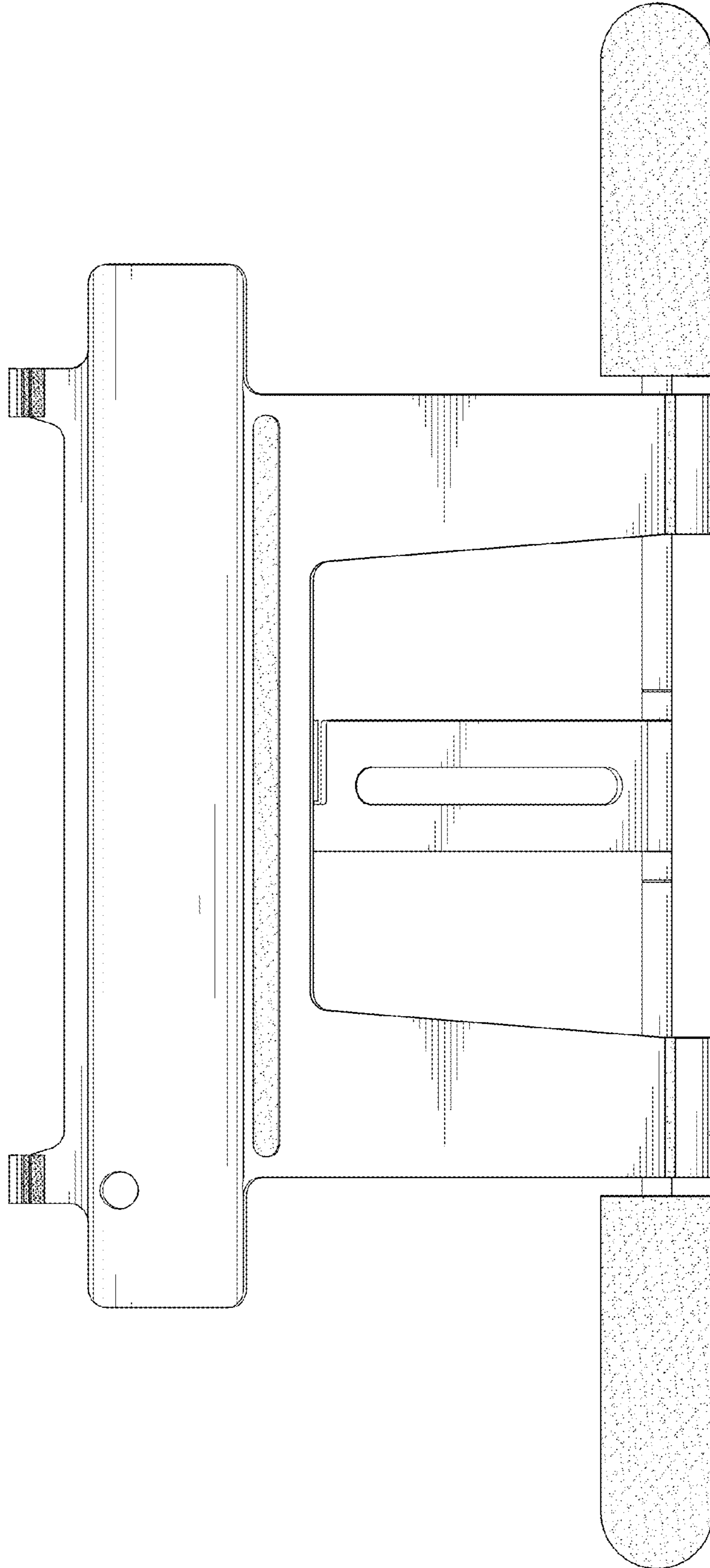


FIG. 2

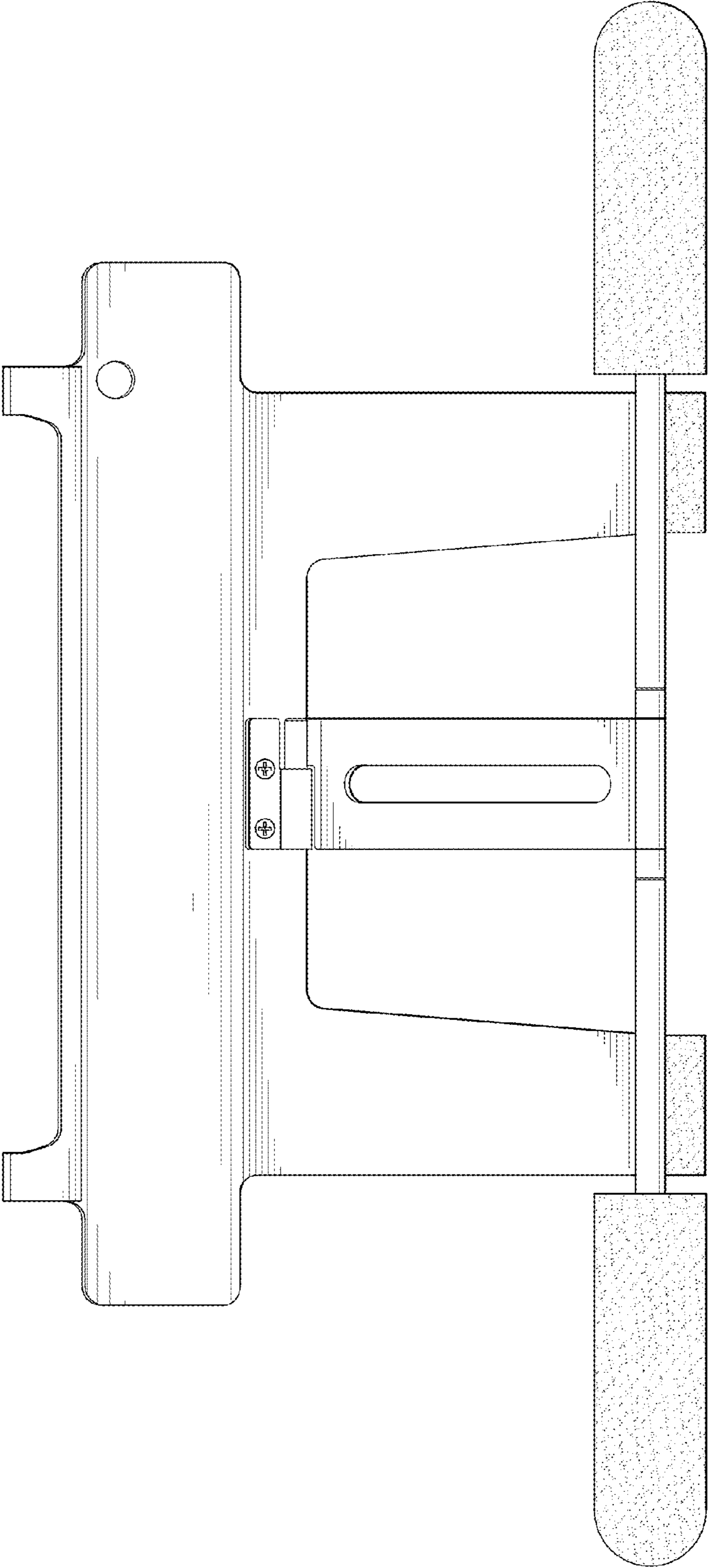


FIG. 3

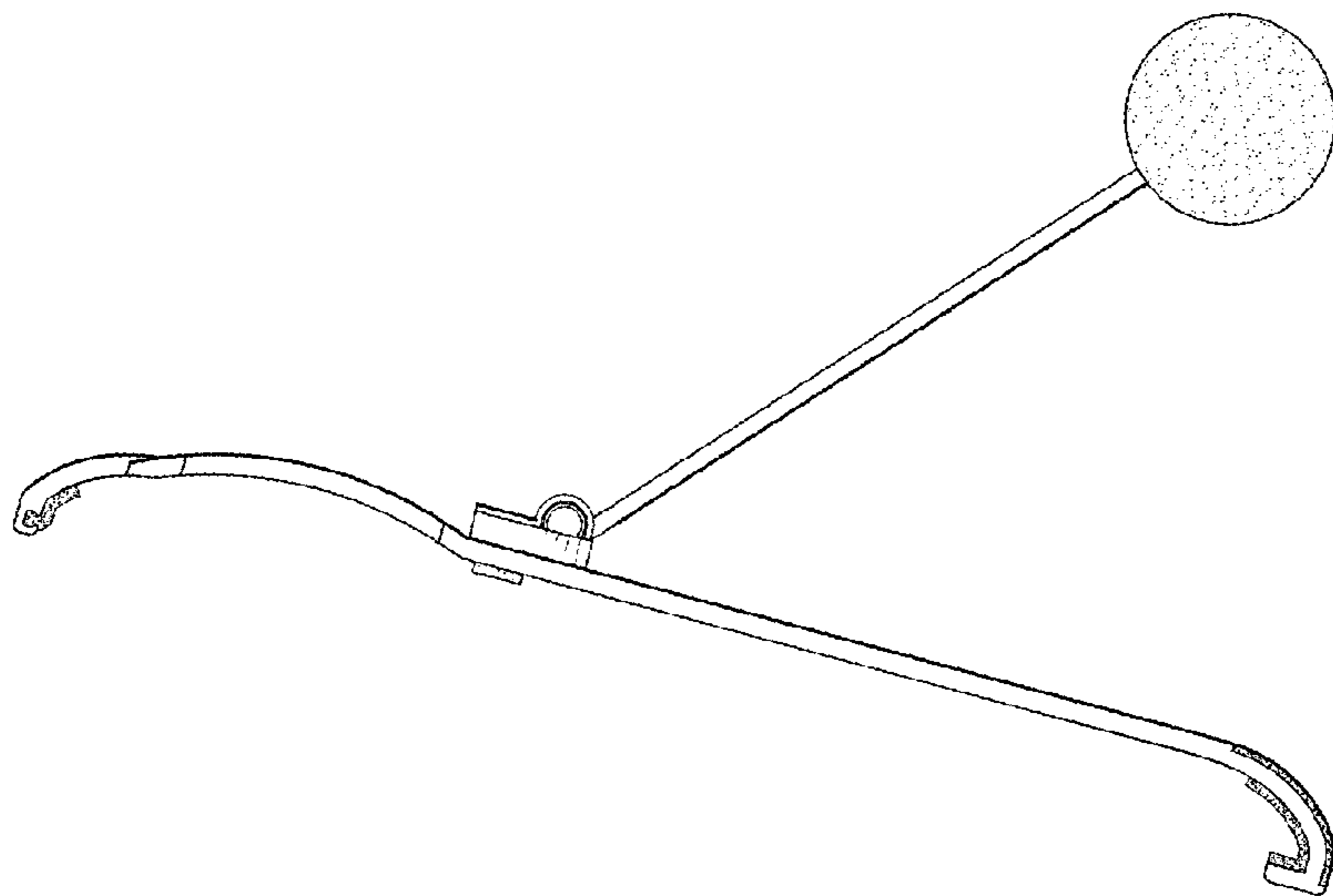


FIG. 5

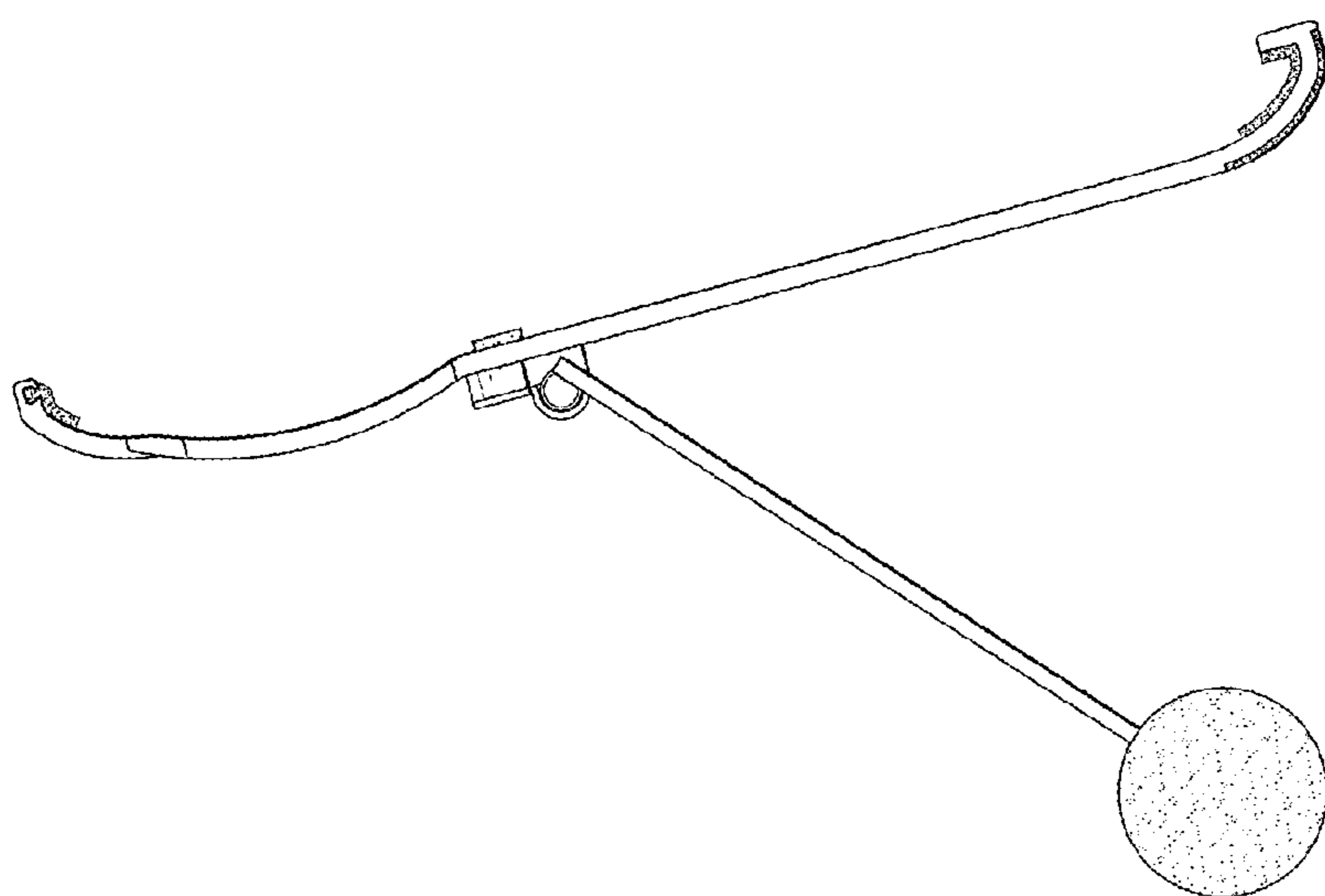


FIG. 4

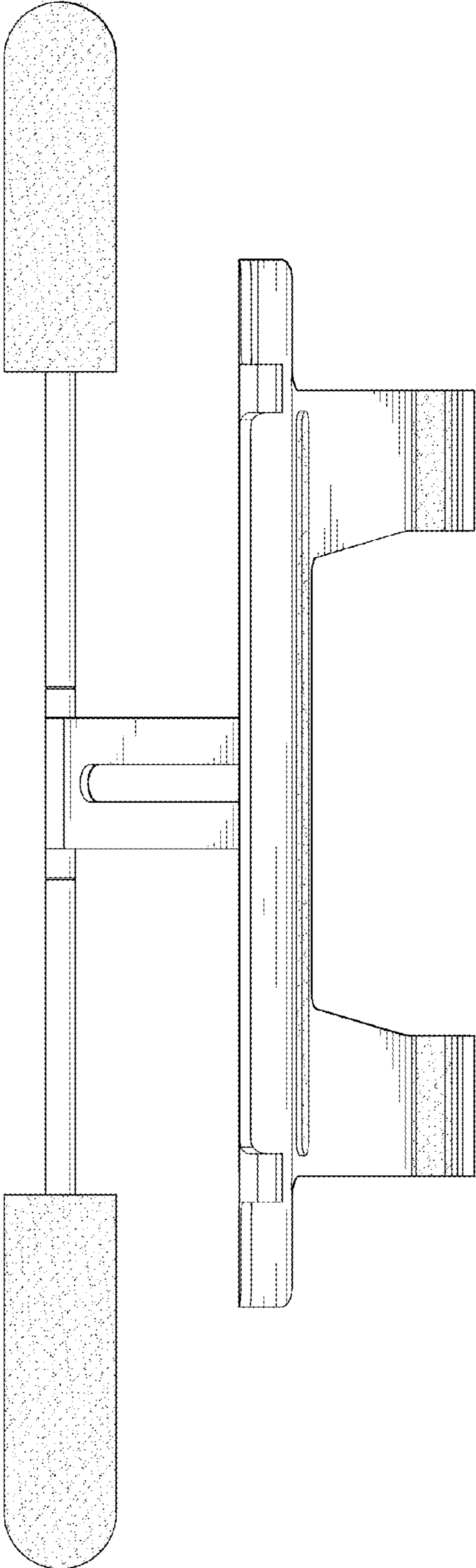


FIG. 6

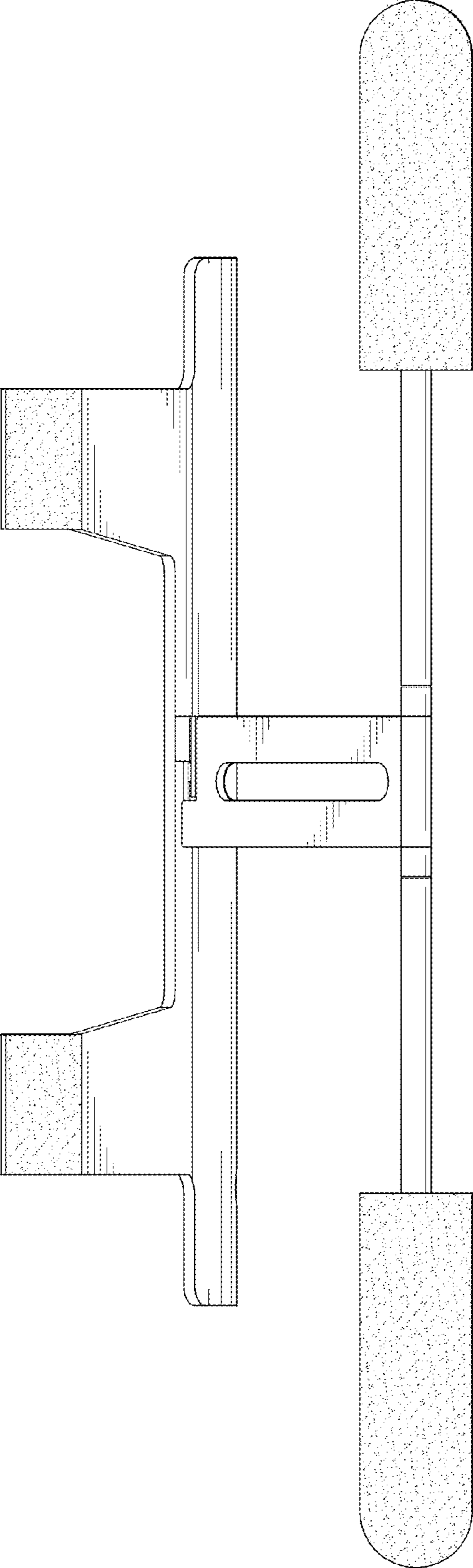


FIG. 7

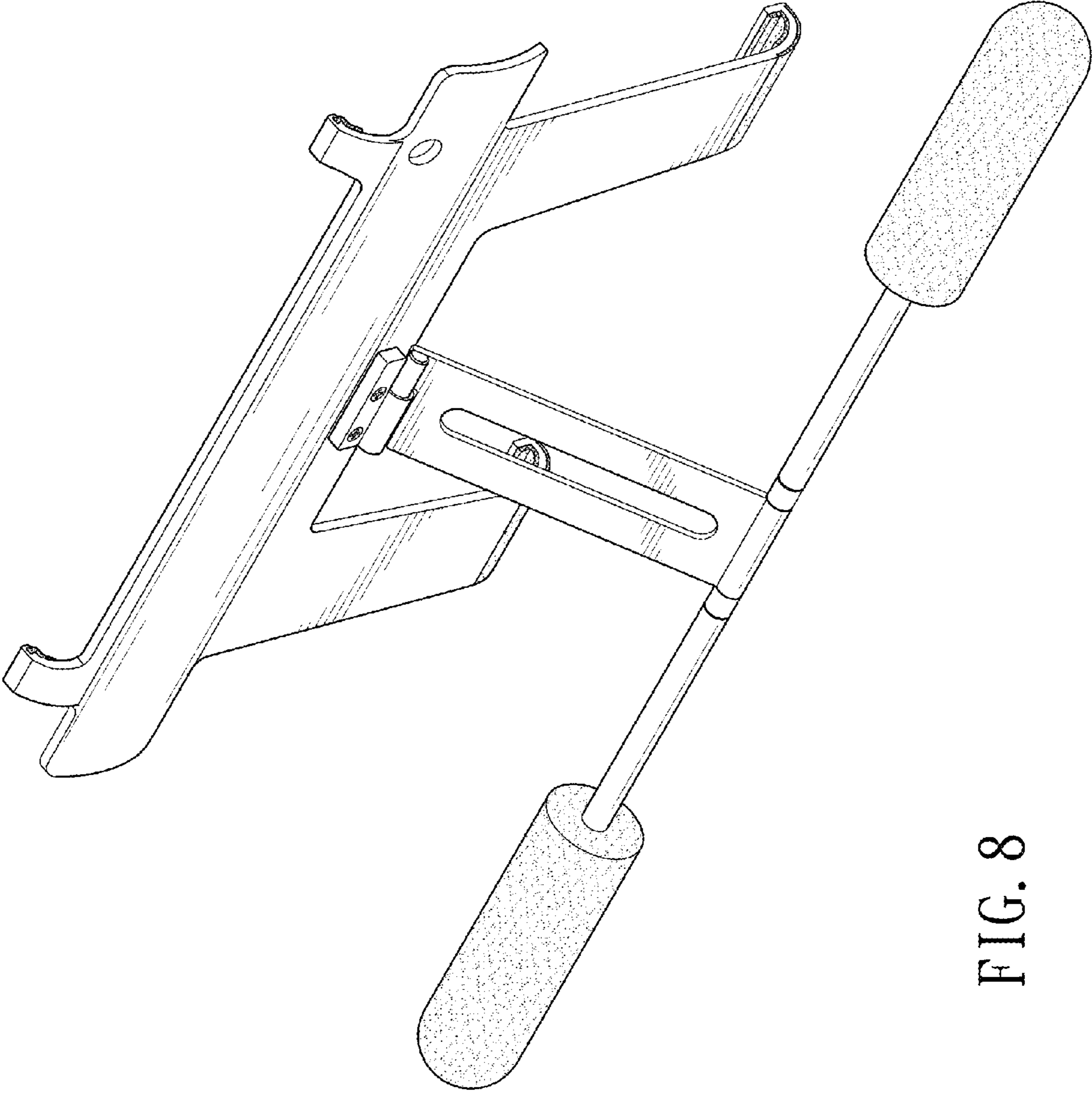


FIG. 8

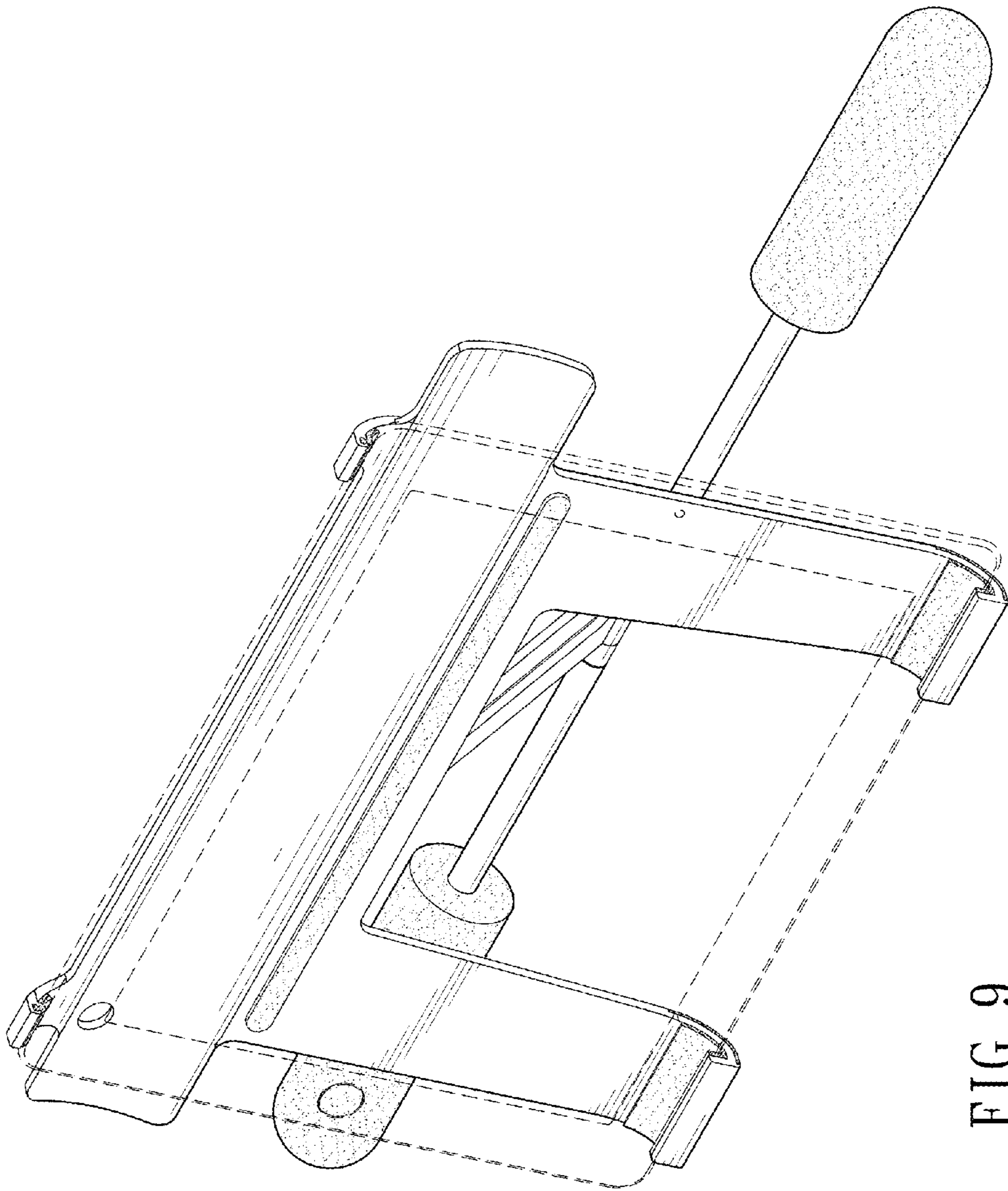


FIG. 9

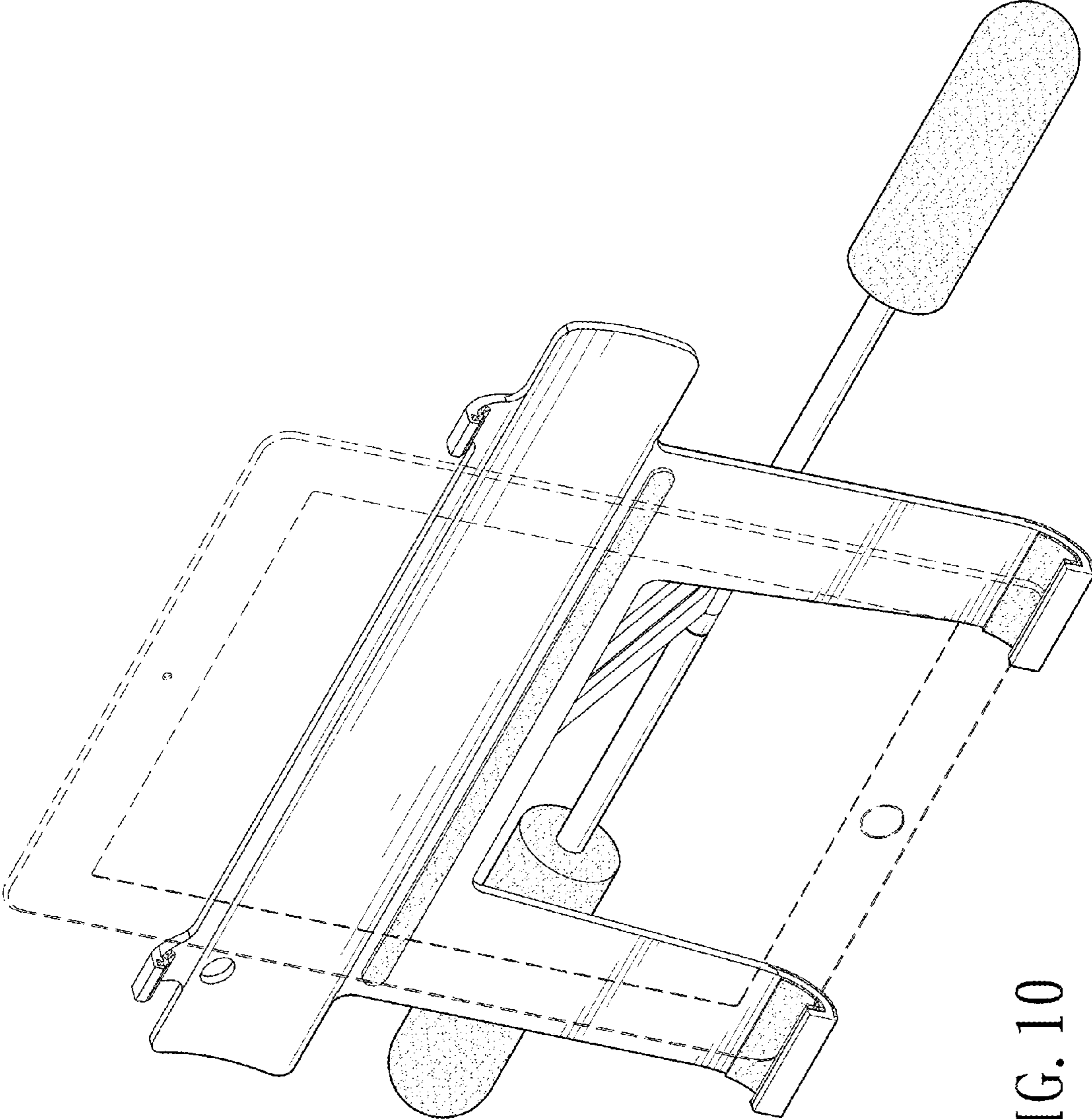


FIG. 10