



US00D680121S

(12) **United States Design Patent**
Yamamoto

(10) **Patent No.:** **US D680,121 S**

(45) **Date of Patent:** **** Apr. 16, 2013**

(54) **INFORMATION TERMINAL CRADLE**

(75) Inventor: **Mari Yamamoto**, Shizuoka (JP)

(73) Assignee: **NEC Access Technica, Ltd.**, Shizuoka (JP)

(**) Term: **14 Years**

(21) Appl. No.: **29/412,063**

(22) Filed: **Jan. 30, 2012**

(30) **Foreign Application Priority Data**

Sep. 13, 2011 (JP) 2011-020840

(51) **LOC (9) Cl.** **14-04**

(52) **U.S. Cl.**
USPC **D14/447**

(58) **Field of Classification Search** D14/447,
D14/432, 434, 433, 439, 440, 448, 451, 452,
D14/457, 460, 217, 239, 238.1, 250, 251,
D14/253; D13/107, 108; D3/218; D6/406.1,
D6/406.3, 406.4, 406.5, 406.6, 419, 420,
D6/429; 361/679.02, 679.09, 679.19, 679.21,
361/679.22, 679.23, 679.26, 679.27, 679.3,
361/679.55, 679.56, 679.6; 248/917-924,
248/136, 150, 152, 153, 371, 166, 176.1,
248/176.3, 188.6, 676, 678, 441.1, 444.1,
248/447, 447.1, 447.2, 451, 454, 455, 456,
248/460, 463, 465.1

See application file for complete search history.

(56) **References Cited**

U.S. PATENT DOCUMENTS

D413,209 S * 8/1999 Jarke D6/406.3
D512,718 S * 12/2005 Mori et al. D14/434
D558,193 S * 12/2007 Ju D14/253
D572,655 S * 7/2008 Osiecki et al. D13/107
D591,270 S * 4/2009 Jakobson et al. D14/217

D611,408 S * 3/2010 Ferber et al. D13/108
D629,806 S * 12/2010 Ho et al. D14/434
D634,707 S * 3/2011 Hosler et al. D13/108
D653,669 S * 2/2012 Kim et al. D14/447
D659,637 S * 5/2012 Hwang et al. D13/108
D659,696 S * 5/2012 Lanza D14/447
D660,794 S * 5/2012 Fahrendorff et al. D13/108
D664,146 S * 7/2012 Hoehn et al. D14/433

* cited by examiner

Primary Examiner — Angela J Lee

(74) *Attorney, Agent, or Firm* — Sughrue Mion, PLLC

(57) **CLAIM**

The ornamental design for an information terminal cradle, as shown and described.

DESCRIPTION

FIG. 1 is a perspective view of said information terminal cradle;

FIG. 2 is a bottom perspective view of said information terminal cradle;

FIG. 3 is a front view of said information terminal cradle;

FIG. 4 is a rear view of said information terminal cradle;

FIG. 5 is a left side view of said information terminal cradle;

FIG. 6 is a right side view of said information terminal cradle;

FIG. 7 is a top plan view of said information terminal cradle;

FIG. 8 is a bottom plan view of said information terminal cradle;

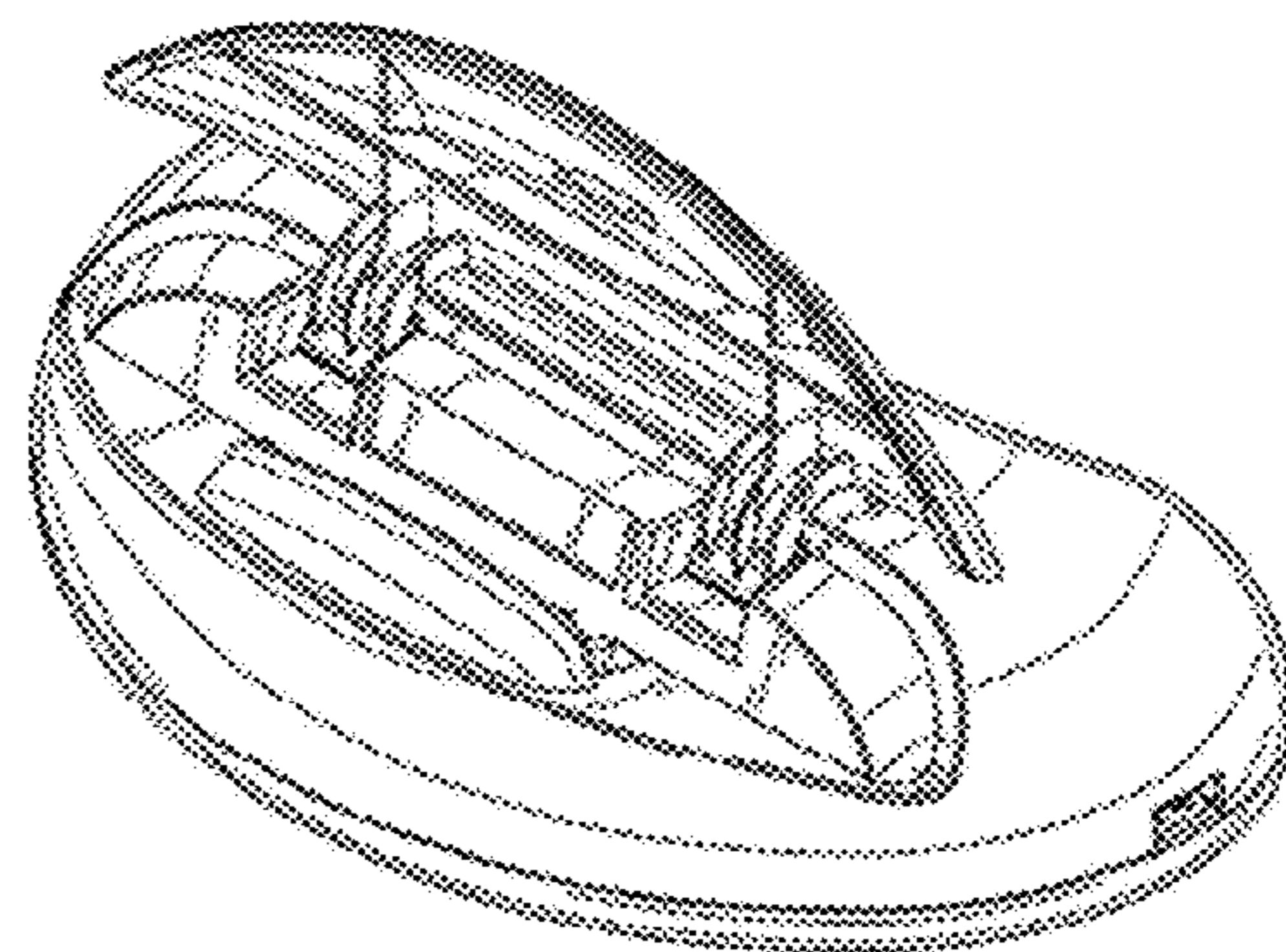
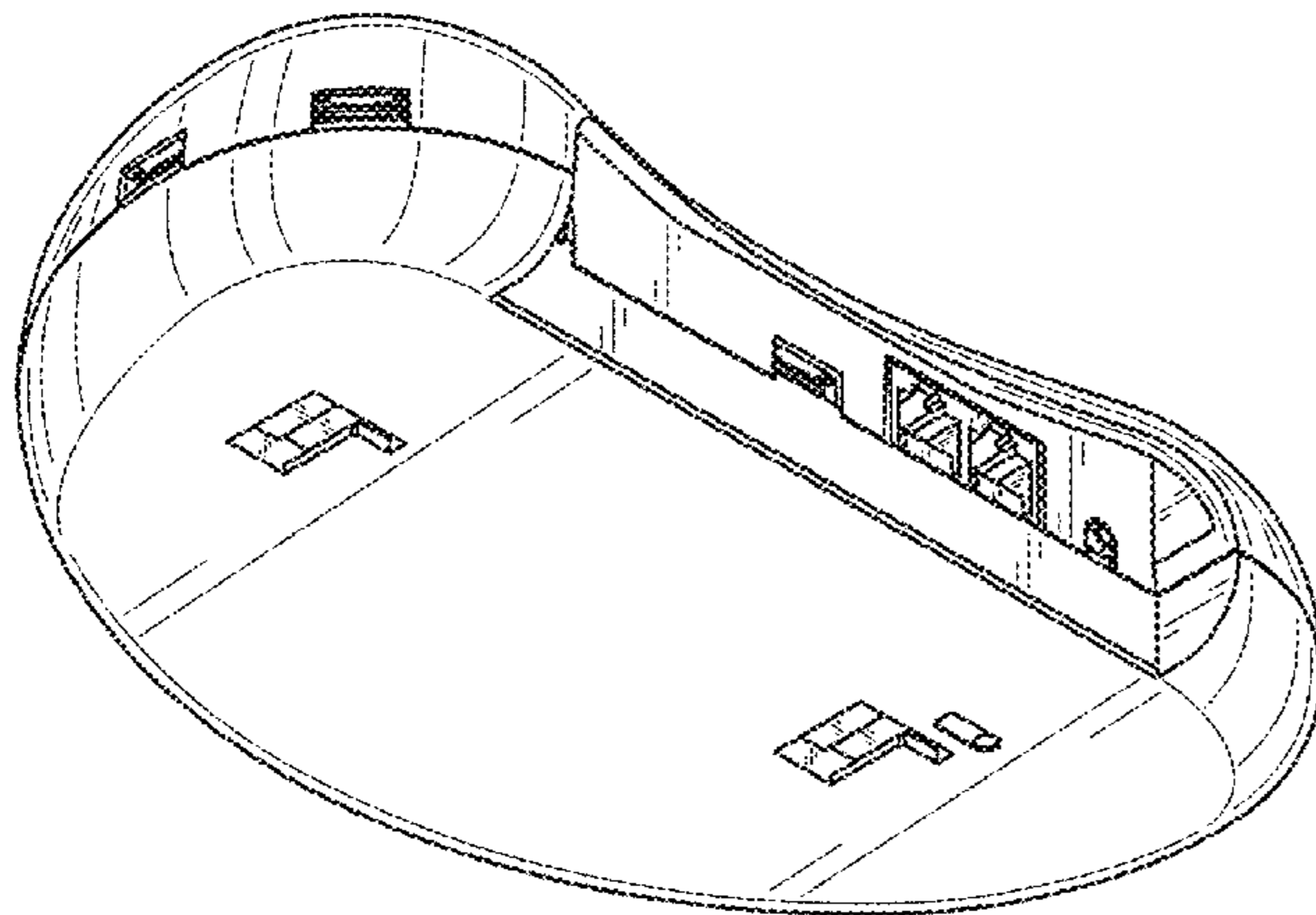
FIG. 9 is a perspective view upon opening lid of said information terminal cradle;

FIG. 10 is a perspective view with a terminal on said information terminal cradle; and,

FIG. 11 is a perspective view on the wall of said information terminal cradle.

The information terminal in FIG. 10 and wall in FIG. 11 shown in broken lines are included for environmental purposes only and are not part of the claim.

1 Claim, 6 Drawing Sheets



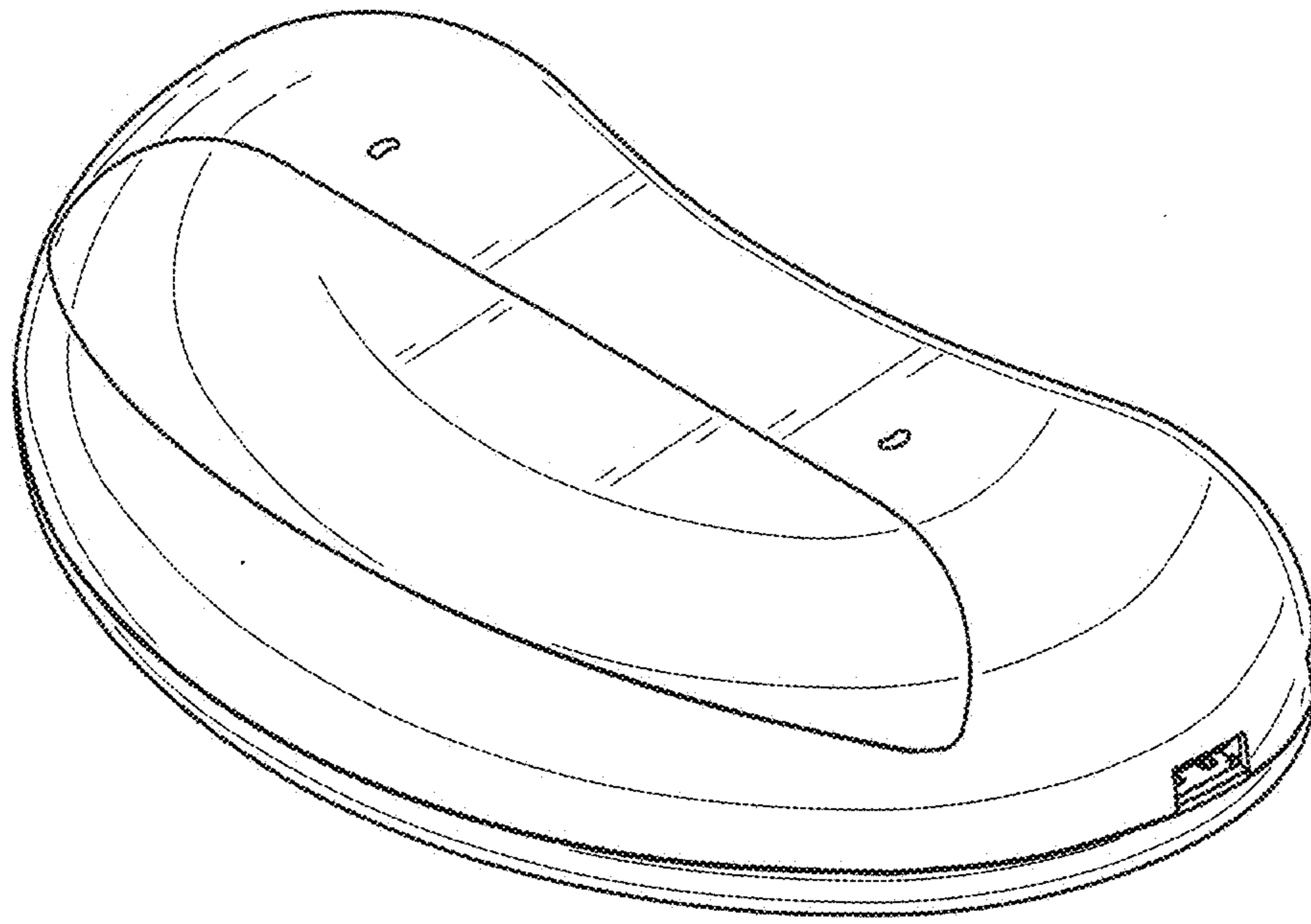


FIG. 1

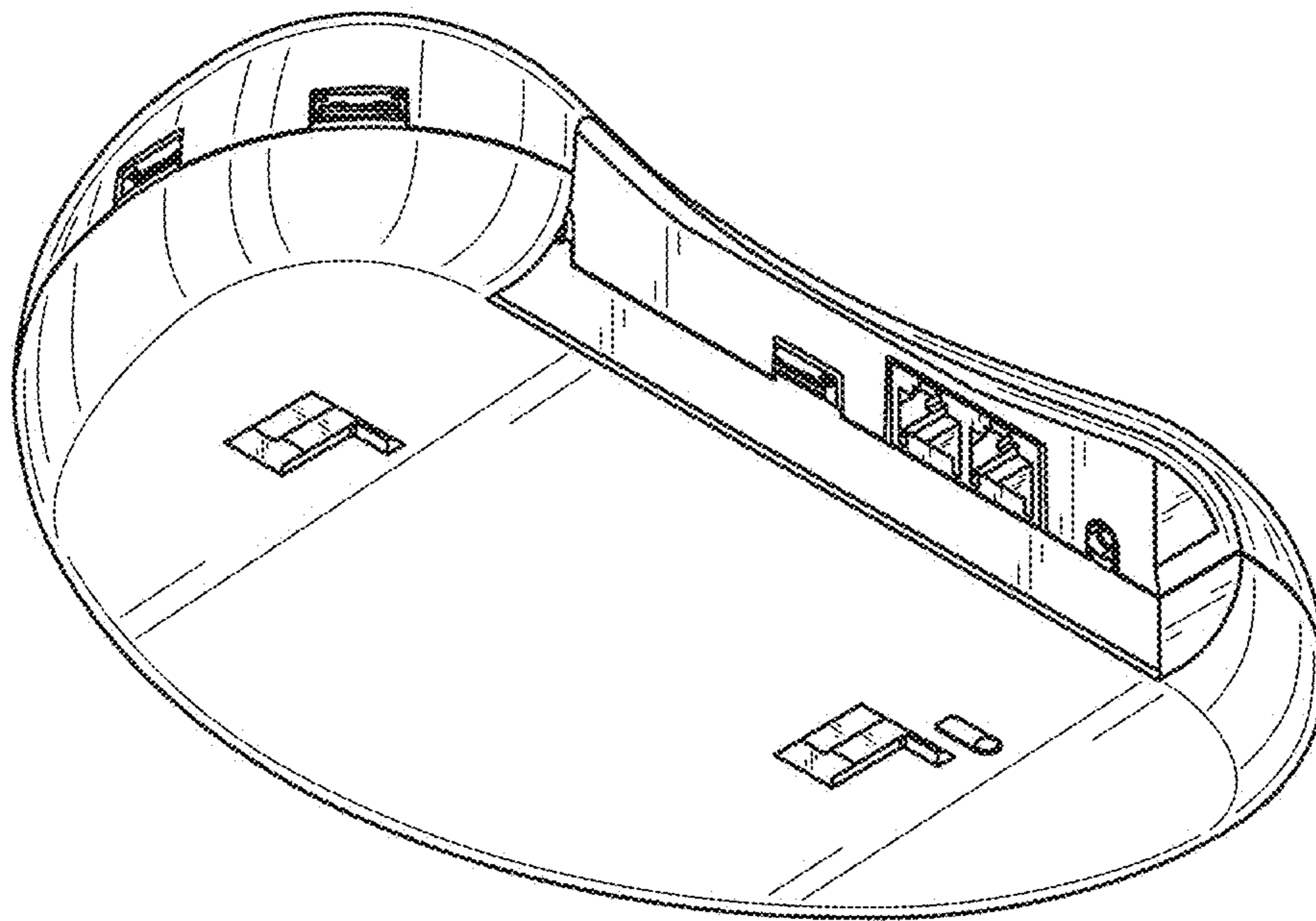


FIG. 2

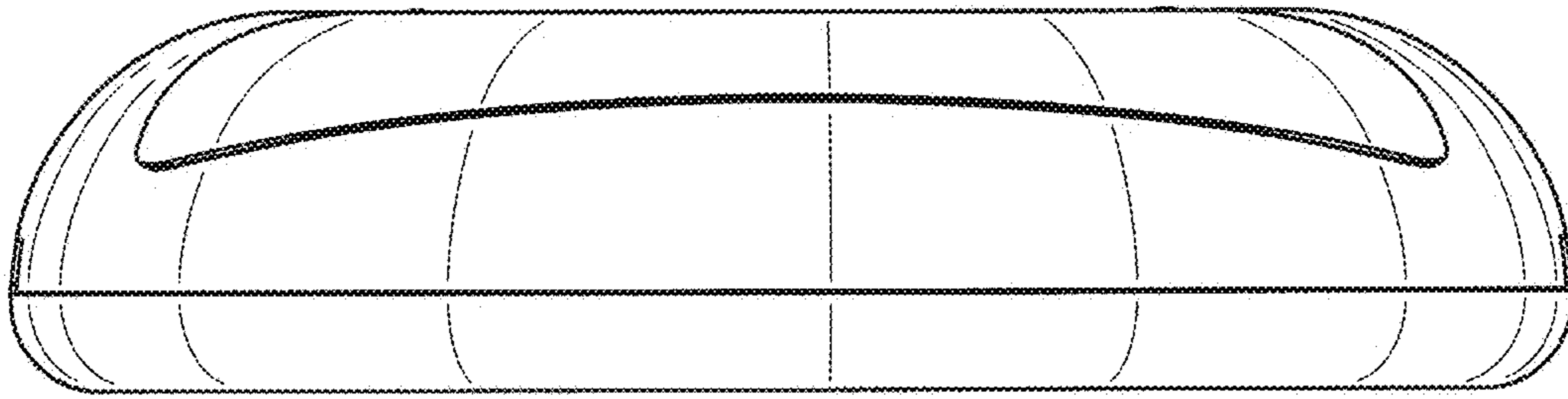


FIG. 3

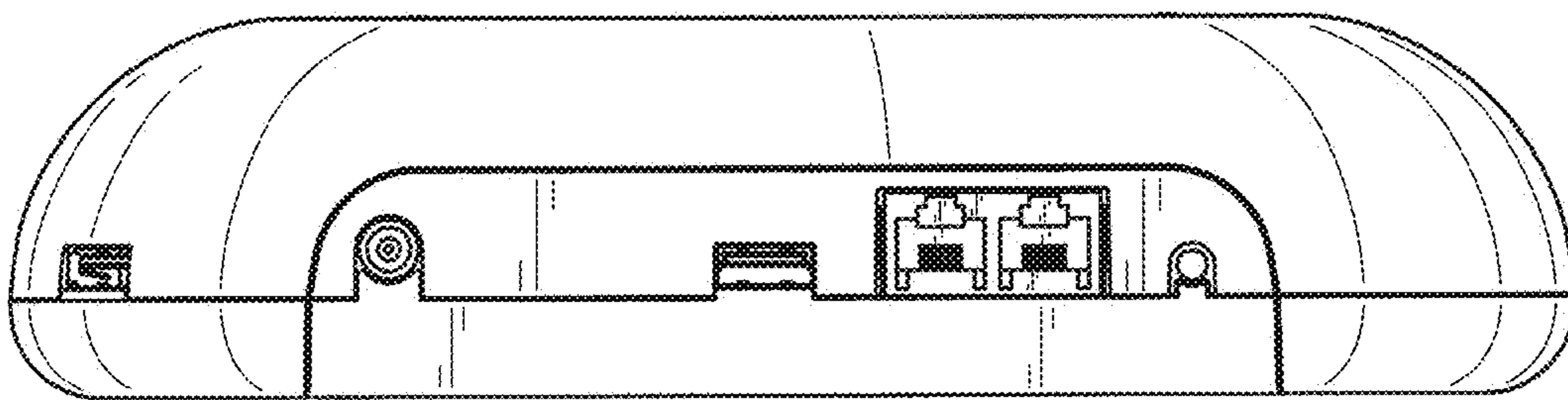


FIG. 4

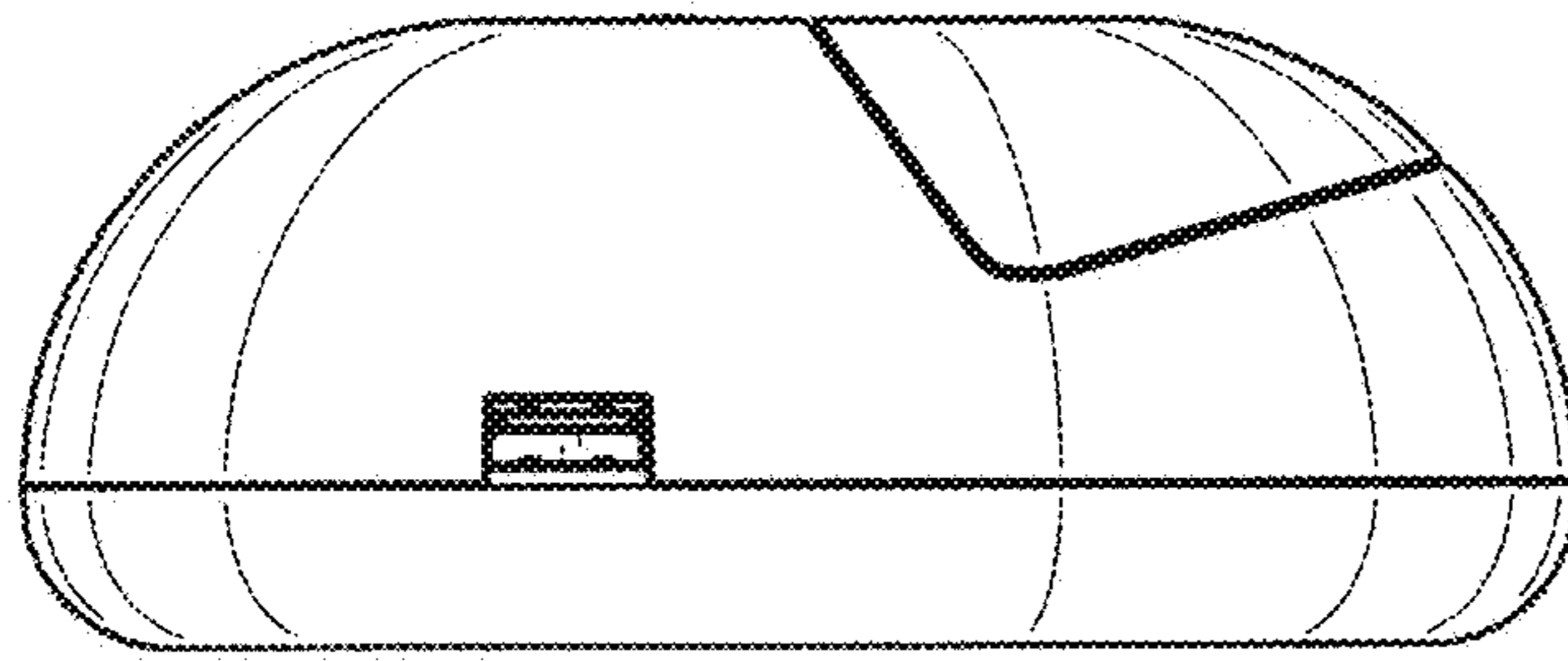


FIG. 5

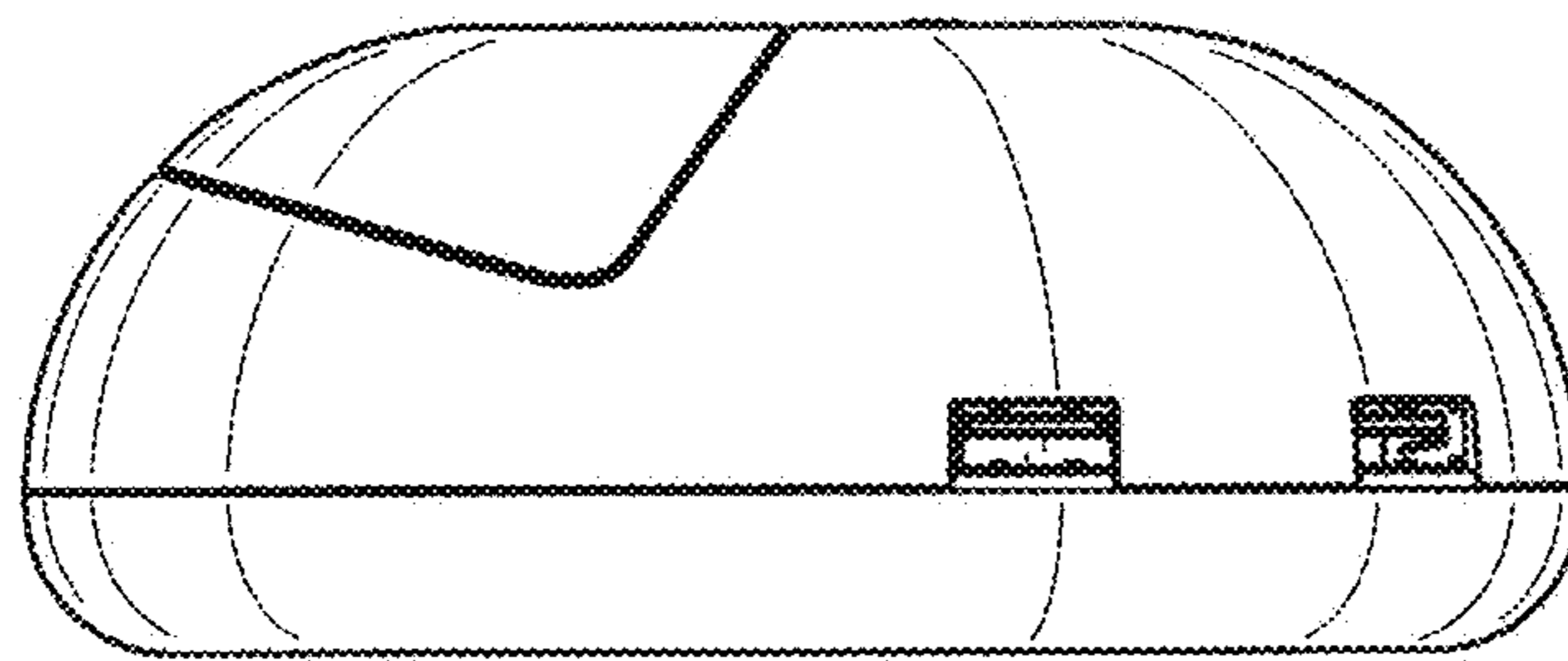


FIG. 6

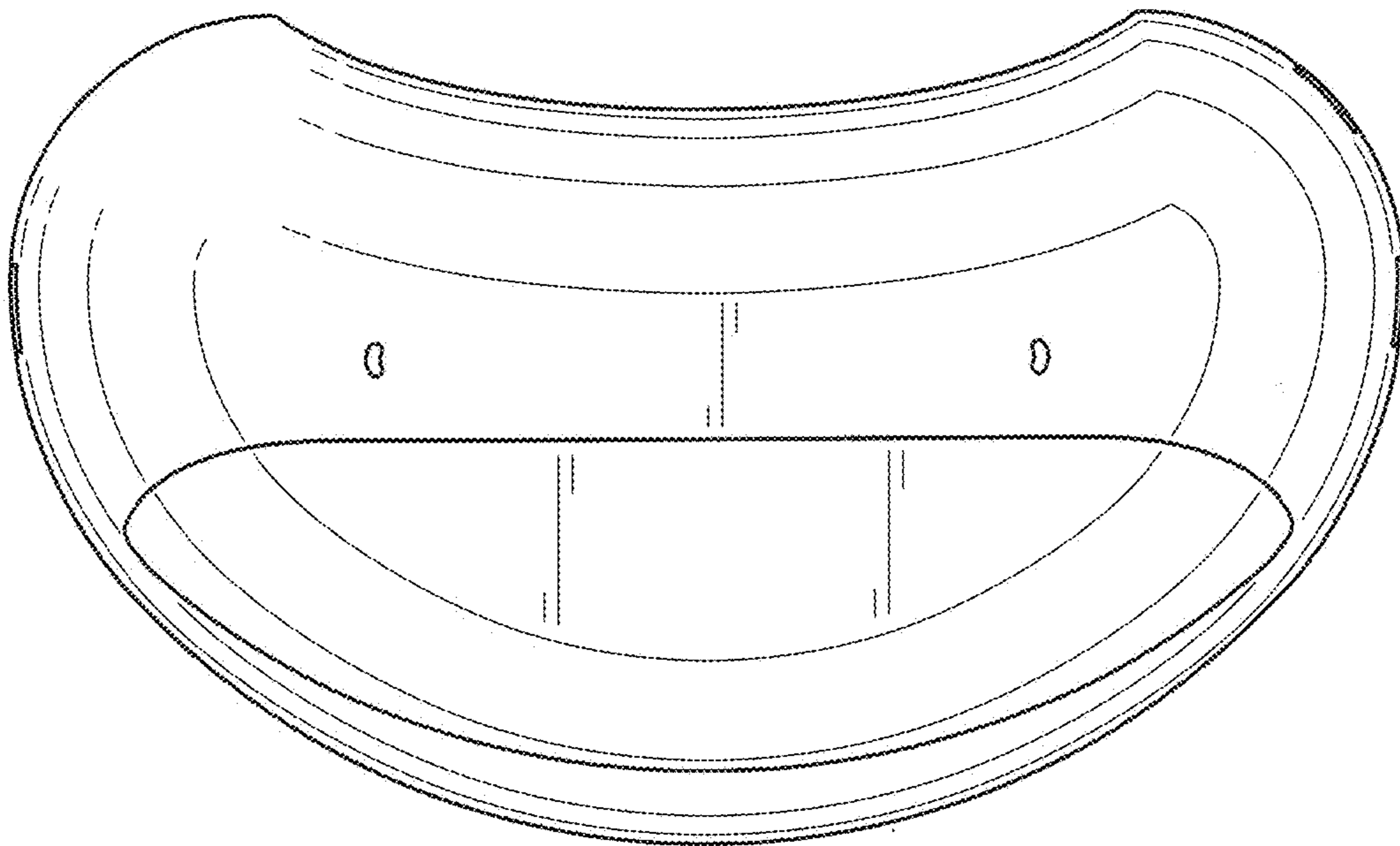


FIG. 7

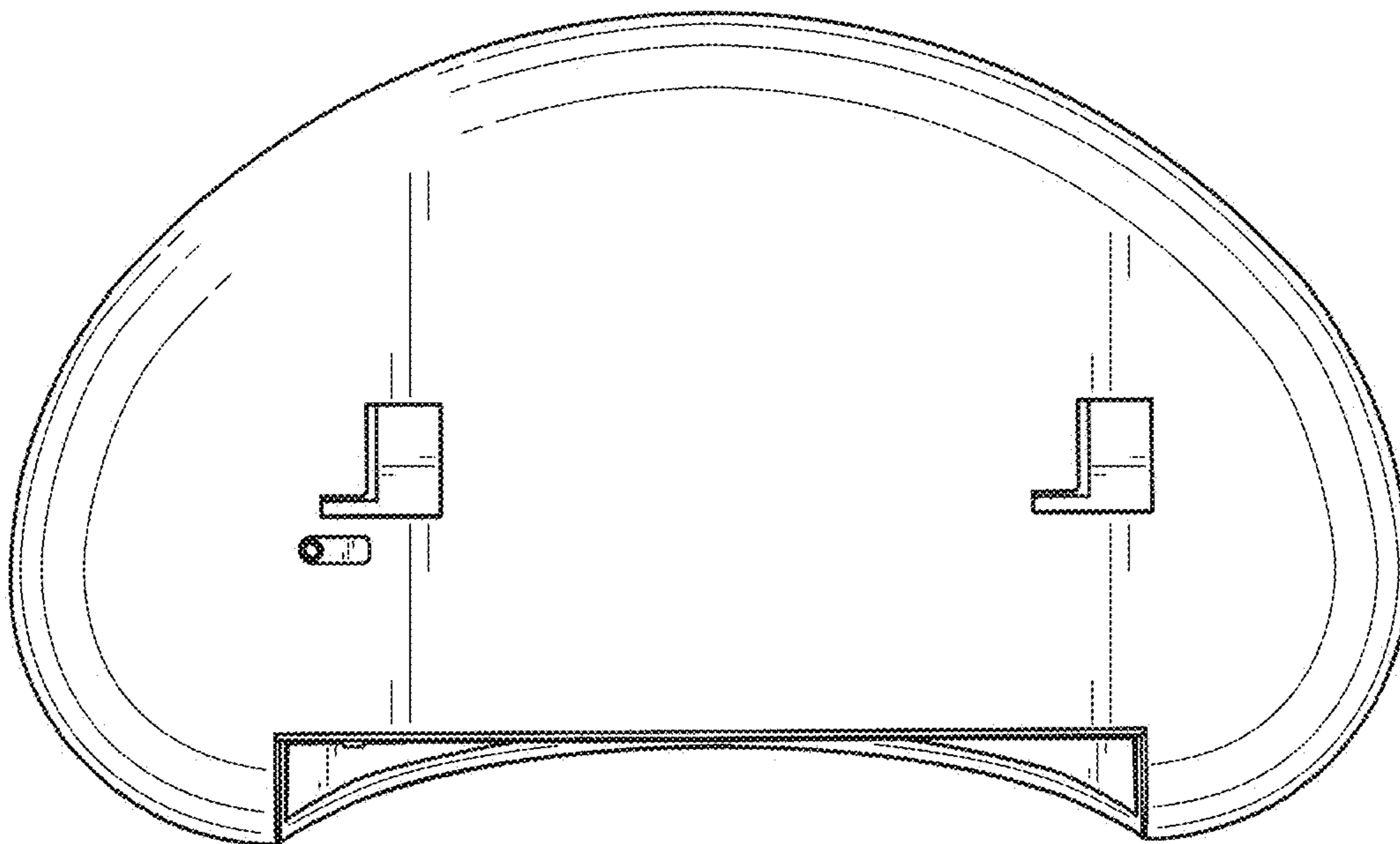


FIG. 8

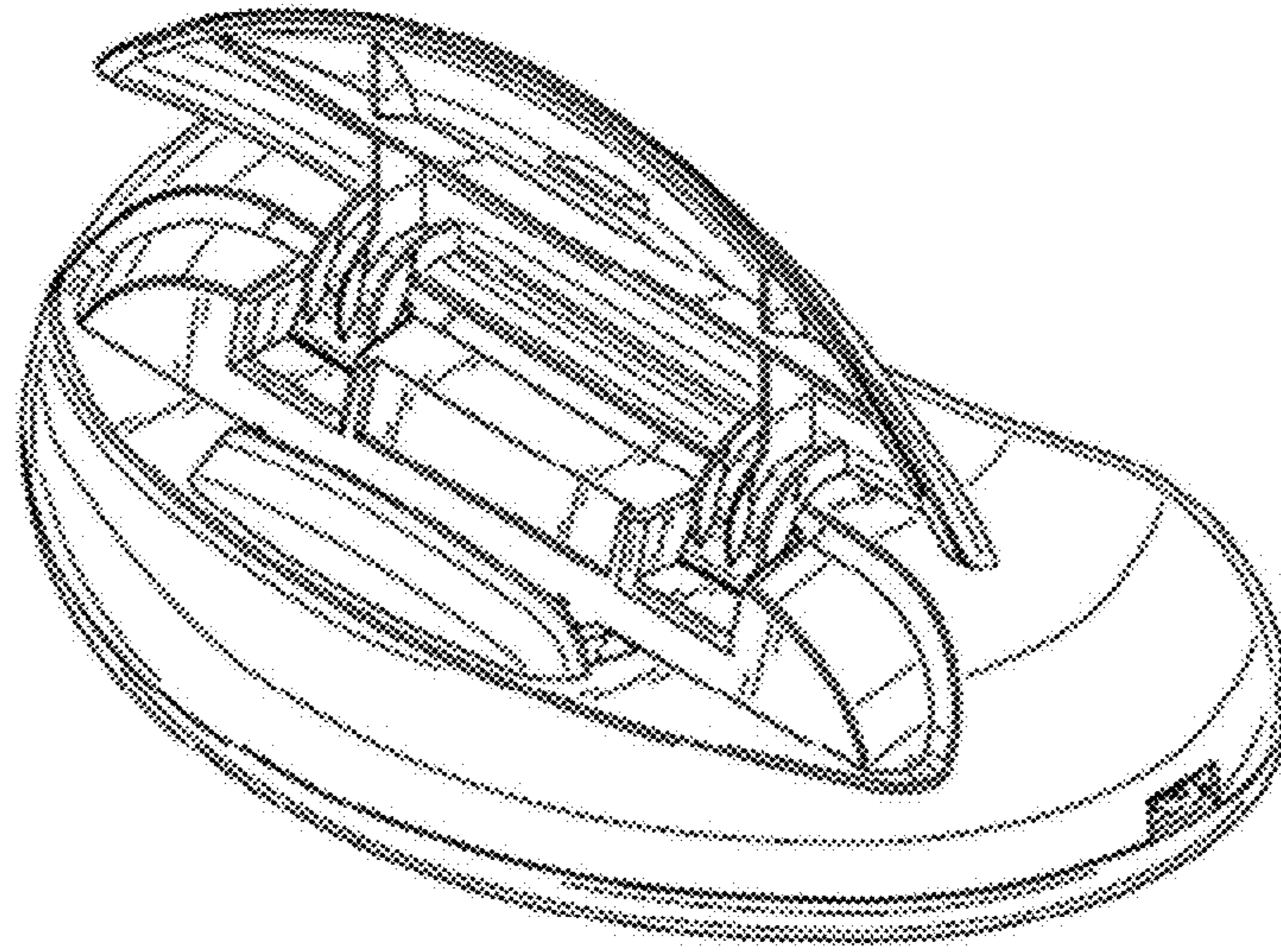


FIG. 9

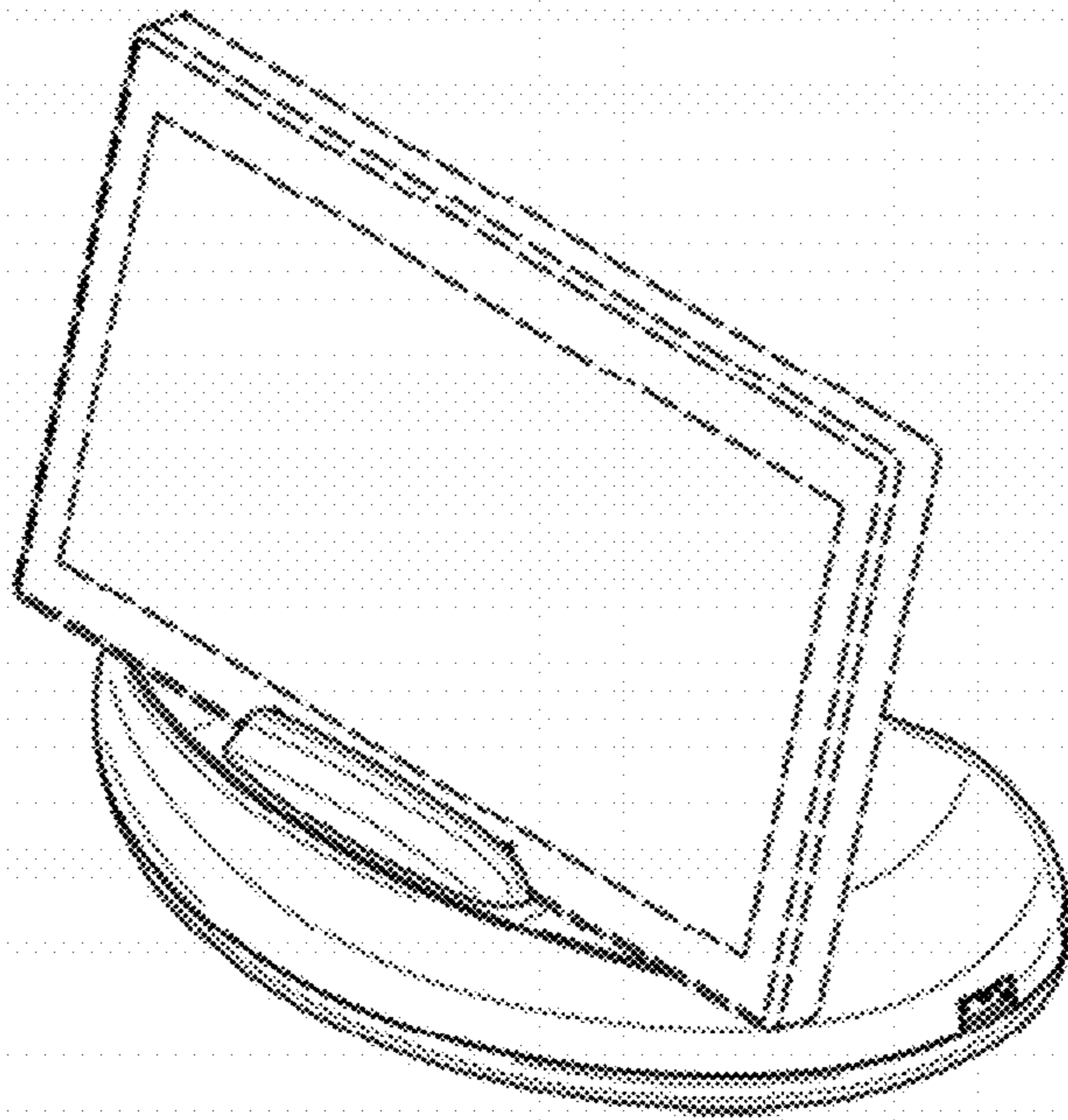


FIG. 10

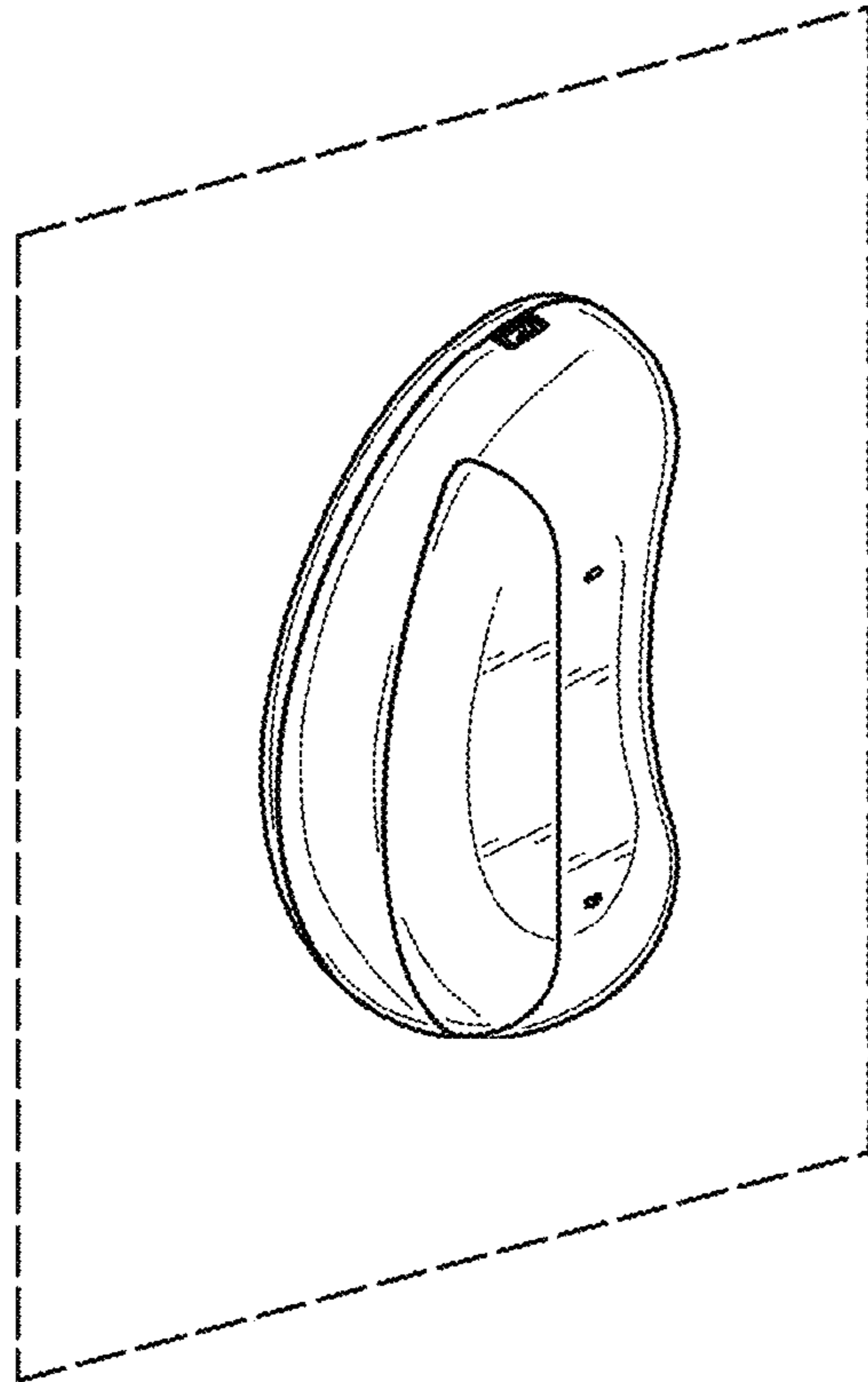


FIG. 11