



US00D680118S

(12) **United States Design Patent**
Schmelling

(10) **Patent No.:** **US D680,118 S**

(45) **Date of Patent:** **** Apr. 16, 2013**

(54) **DOCKING STATION**

(75) **Inventor:** **Steffen Schmelling**, Copenhagen (DK)

(73) **Assignee:** **Aktieselskabet AF 18. juli 2011**, Struer (DK)

(**) **Term:** **14 Years**

(21) **Appl. No.:** **29/415,346**

(22) **Filed:** **Mar. 9, 2012**

(30) **Foreign Application Priority Data**

Sep. 9, 2011 (EP) 001915224-0002

Sep. 9, 2011 (EP) 001915224-0003

(51) **LOC (9) Cl.** **14-02**

(52) **U.S. Cl.**
USPC **D14/434**

(58) **Field of Classification Search** D14/432-434,
D14/314, 204, 420, 421, 447, 217, 358, 138 R,
D14/140, 142, 315, 318; D13/107, 108,
D13/146; D8/373; 248/346.03, 176.1; 361/679.41,
361/679.31, 679.32, 679.4, 679.43, 679.44,
361/679.55, 679.58, 679.33, 679.27; 320/109,
320/112-115; 710/15, 303; 455/557; 439/347,
439/534

See application file for complete search history.

(56) **References Cited**

U.S. PATENT DOCUMENTS

5,408,382	A *	4/1995	Schultz et al.	361/679.41
5,644,471	A *	7/1997	Schultz et al.	361/679.41
6,185,094	B1 *	2/2001	Ruch et al.	361/679.44
D507,526	S *	7/2005	Ohta	D13/108
D520,013	S *	5/2006	Yang	D14/434
D553,106	S *	10/2007	Griffin	D14/434
D644,645	S *	9/2011	Huang et al.	D14/434
2005/0213297	A1 *	9/2005	Ulla et al.	361/683

* cited by examiner

Primary Examiner — Freda S Nunn

(74) *Attorney, Agent, or Firm* — Dykema Gossett PLLC

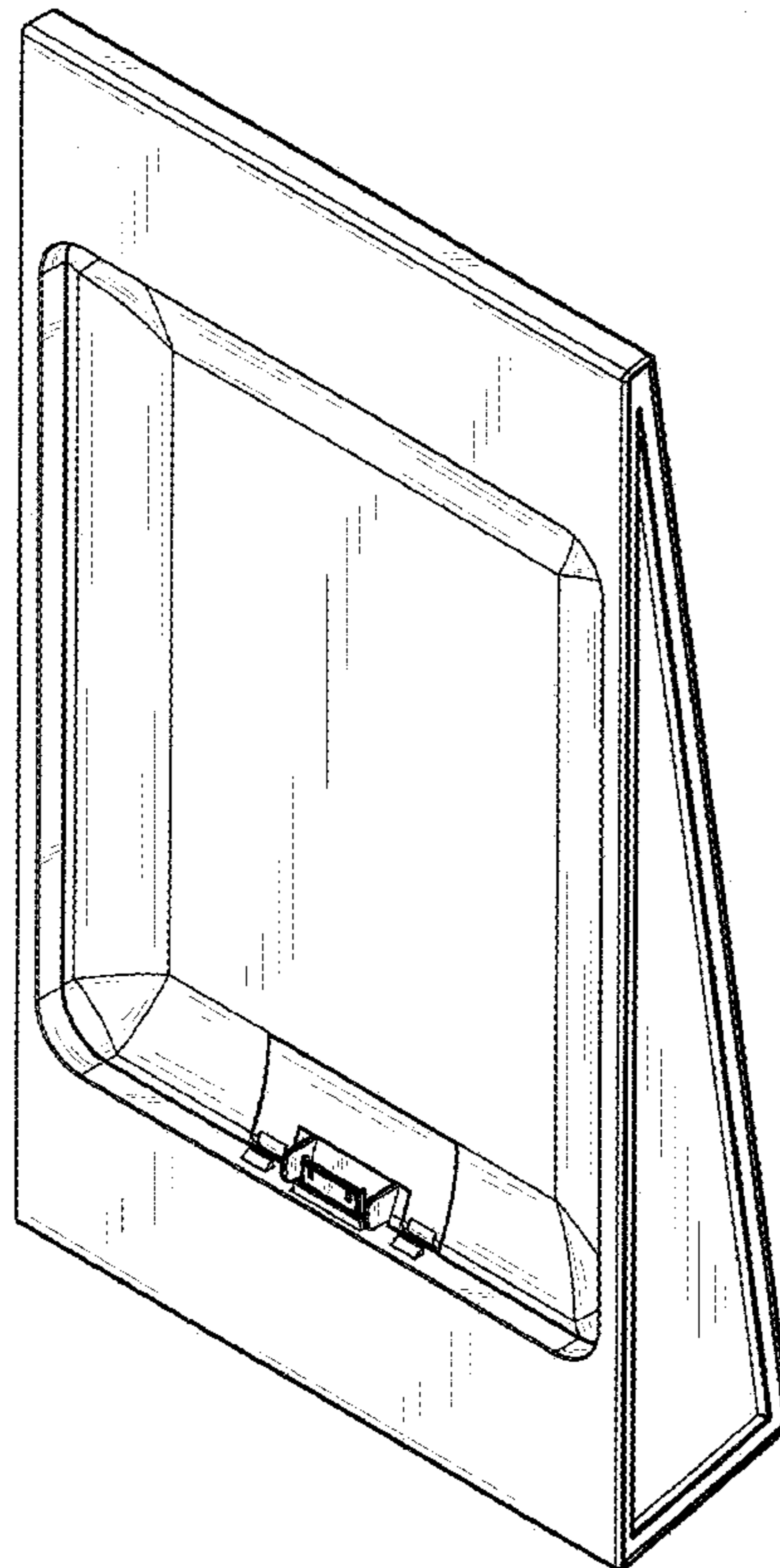
(57) **CLAIM**

The ornamental design for a docking station, as shown.

DESCRIPTION

FIG. 1 is a first perspective view of a docking station showing my new design;
FIG. 2 is a second perspective view thereof;
FIG. 3 is a front elevational view thereof;
FIG. 4 is a rear elevational view thereof;
FIG. 5 is a right side elevational view thereof;
FIG. 6 is a left side elevational view thereof;
FIG. 7 is a top plan view thereof; and,
FIG. 8 is a bottom plan view thereof.

1 Claim, 8 Drawing Sheets



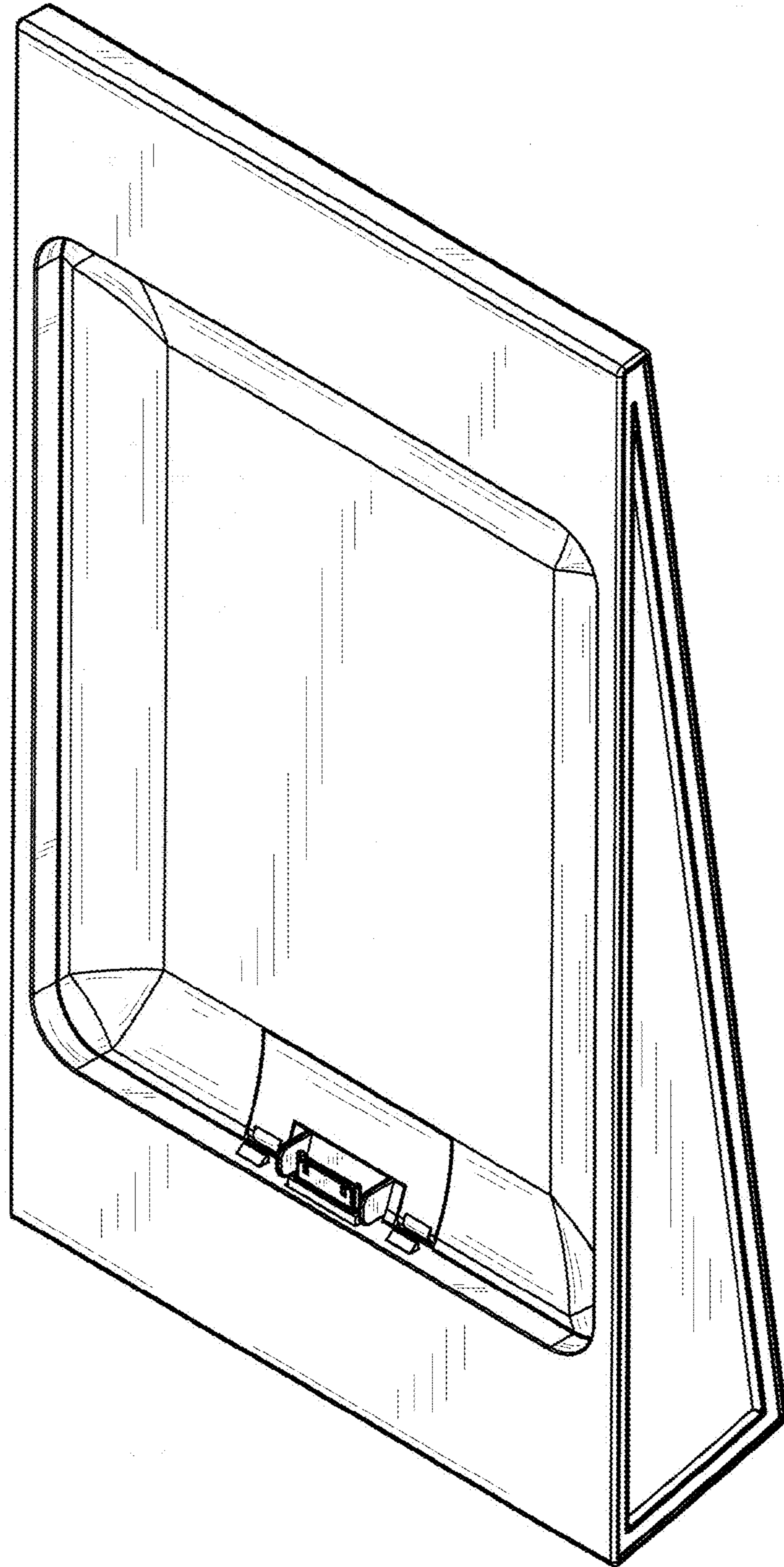


FIG. 1



FIG. 2

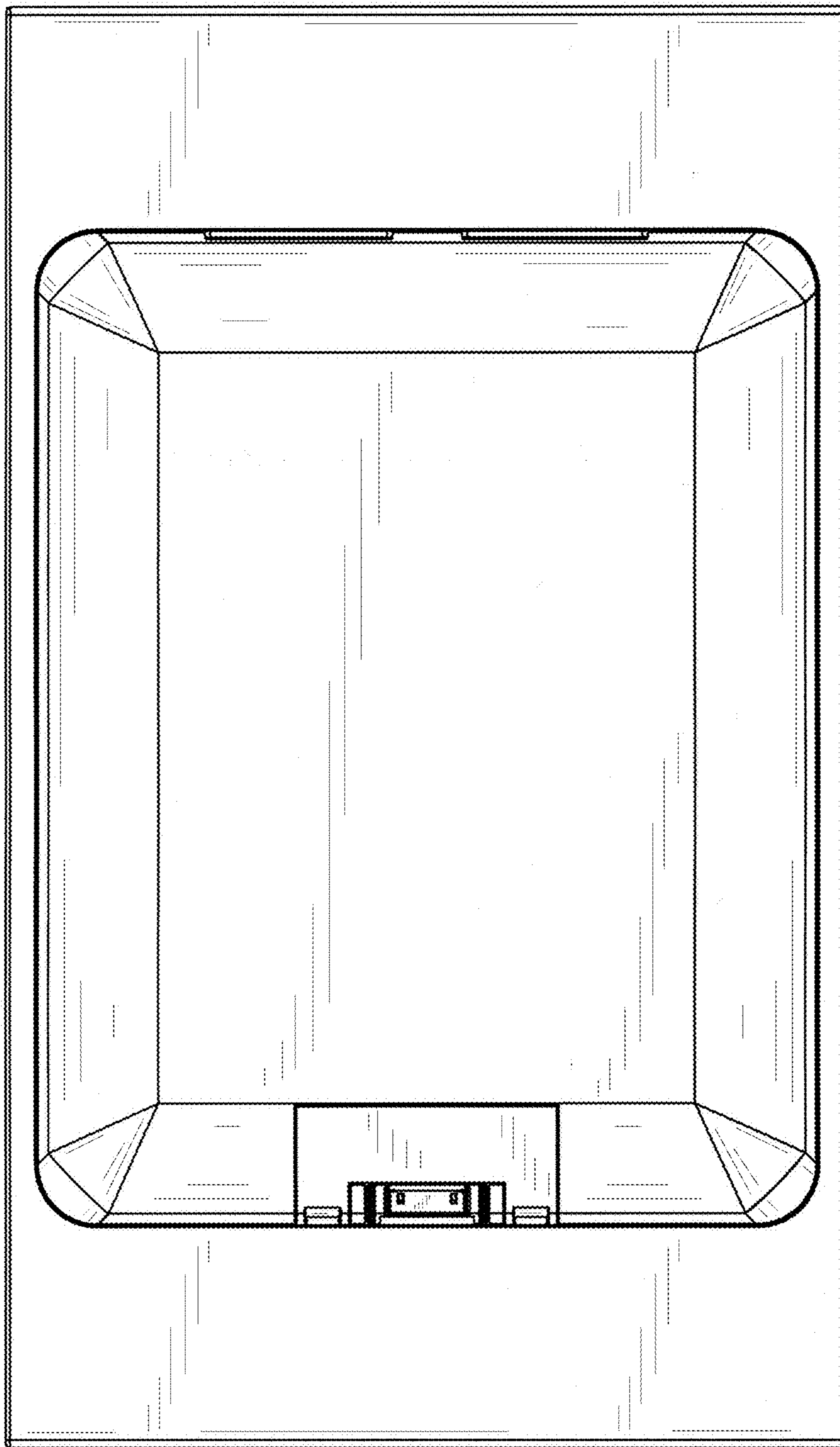


FIG. 3

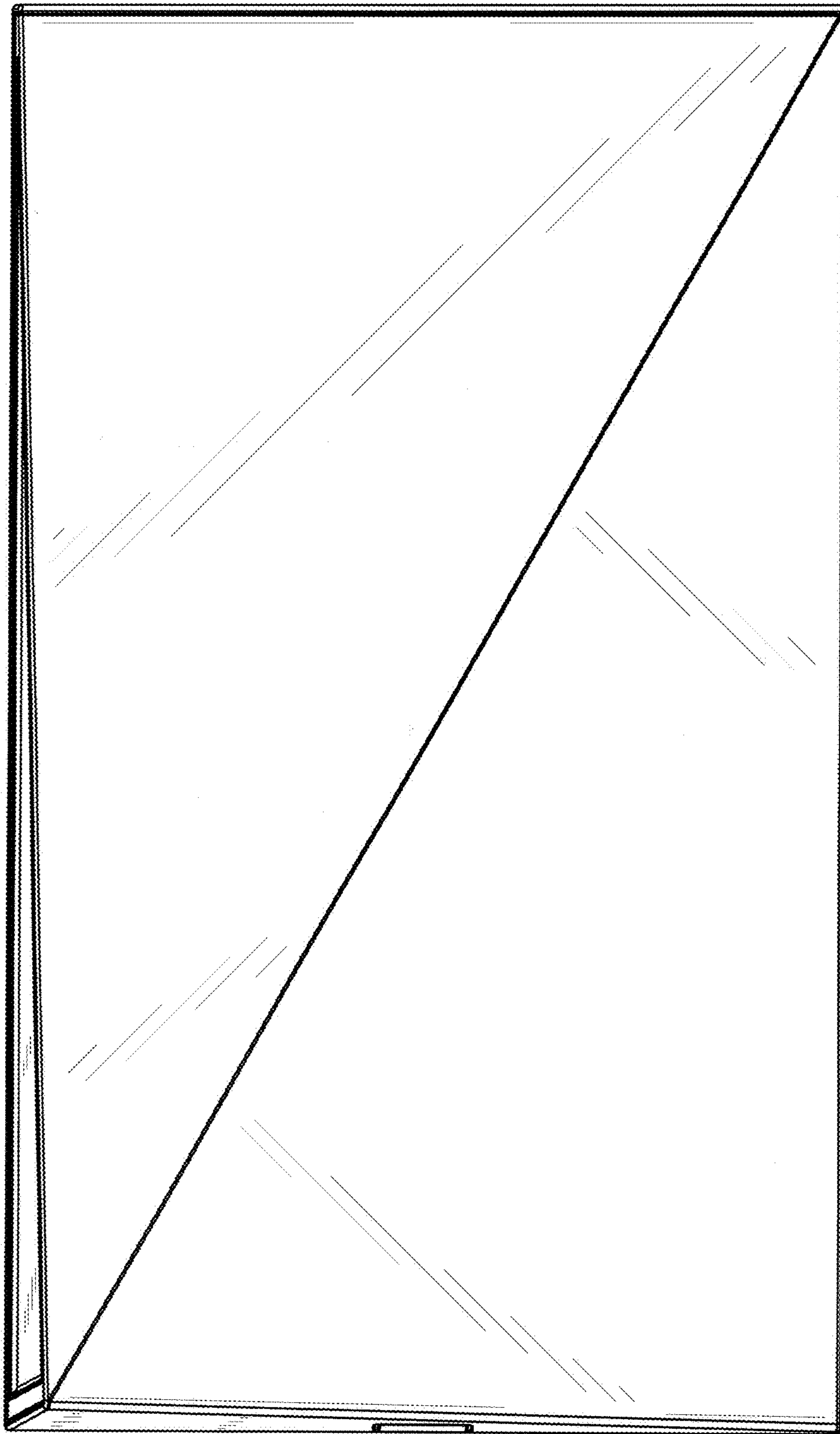


FIG. 4

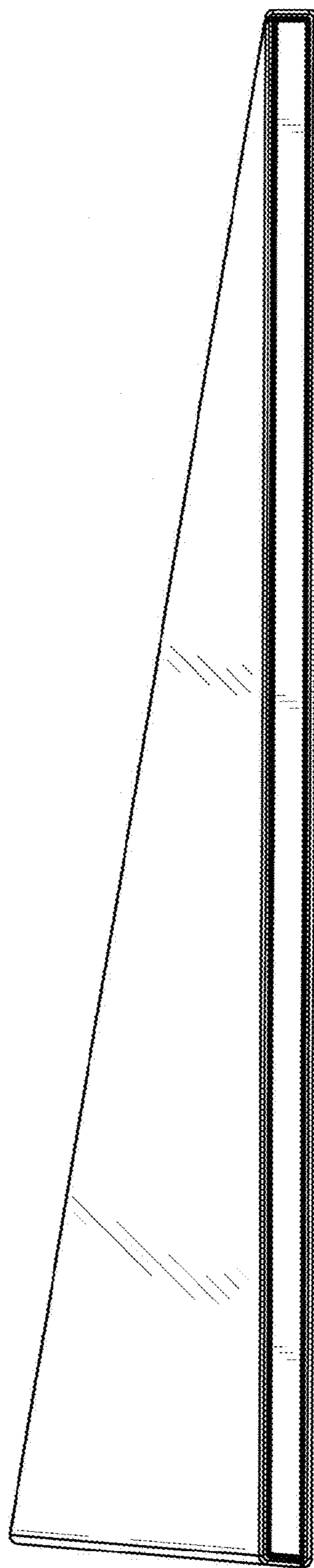


FIG. 5

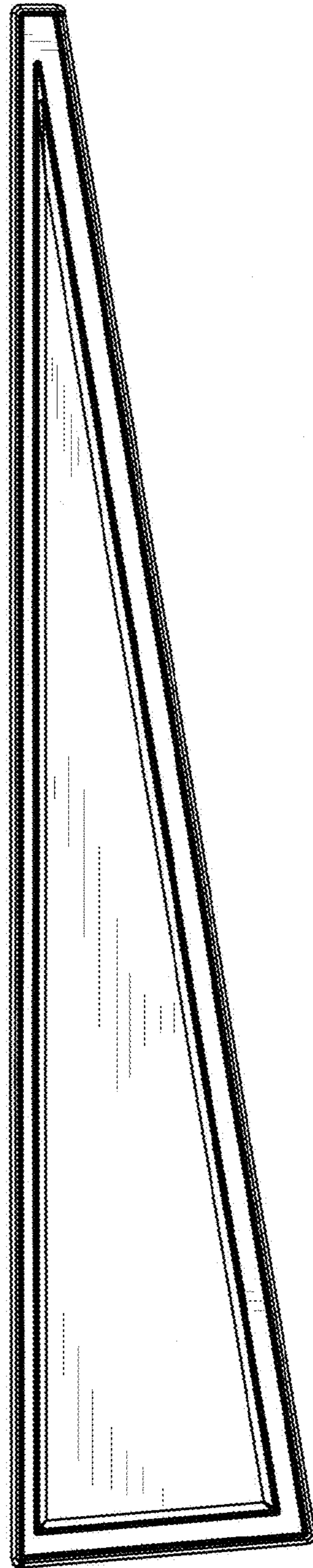


FIG. 6

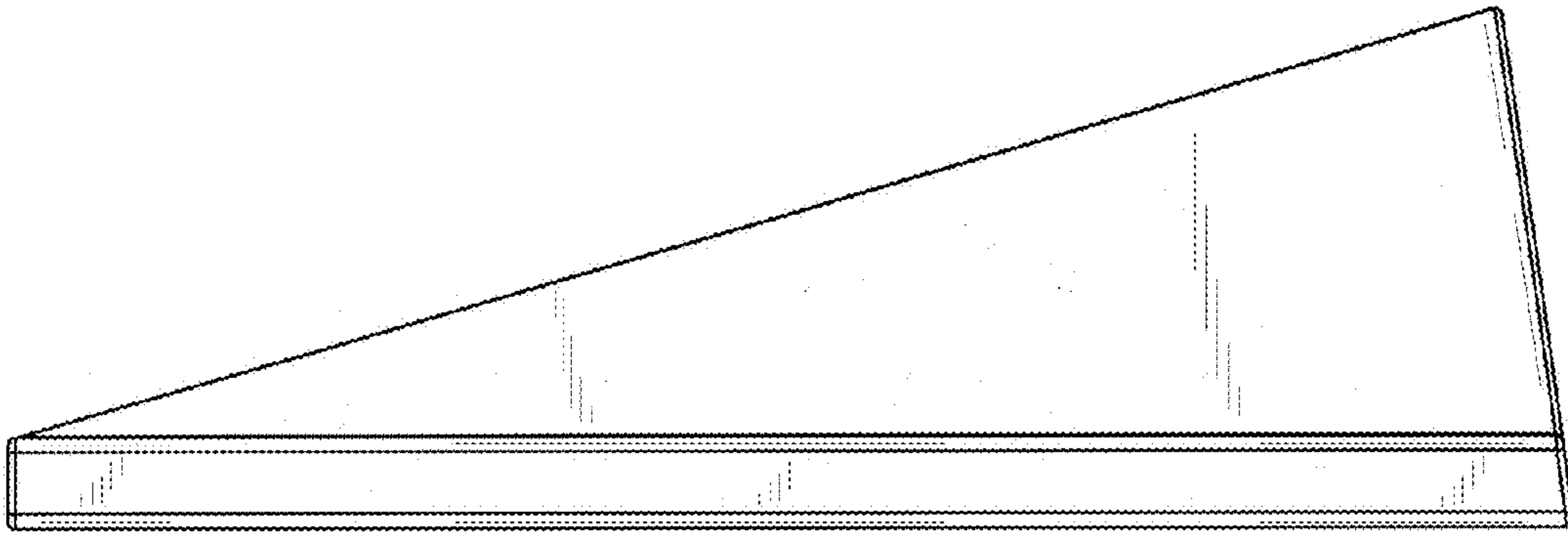


FIG. 7

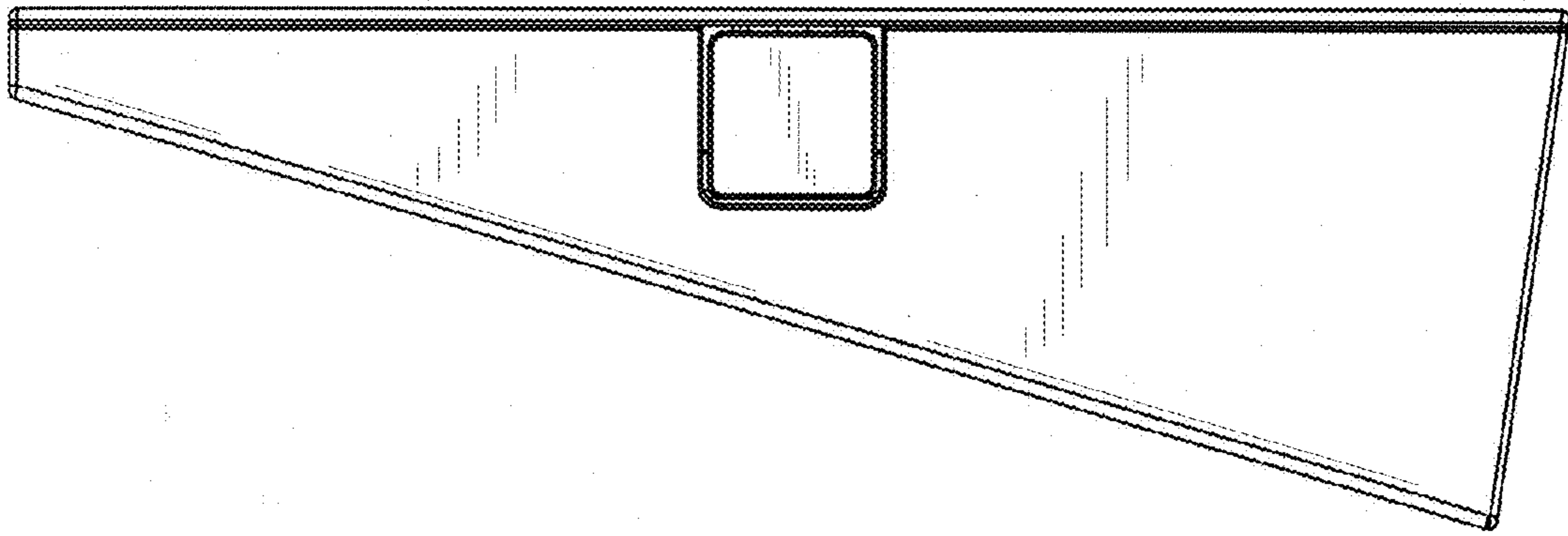


FIG. 8