



US00D680117S

(12) **United States Design Patent**
Ho

(10) **Patent No.:** **US D680,117 S**

(45) **Date of Patent:** **** Apr. 16, 2013**

(54) **DOCKING STATION FOR TABLET
COMPUTER**

(75) Inventor: **Ming-Ling Ho**, New Taipei (TW)

(73) Assignee: **Acer Incorporated**, New Taipei (TW)

(**) Term: **14 Years**

(21) Appl. No.: **29/412,894**

(22) Filed: **Feb. 9, 2012**

(30) **Foreign Application Priority Data**

Jan. 12, 2012 (TW) 101300198

(51) **LOC (9) Cl.** **14-02**

(52) **U.S. Cl.**
USPC **D14/434**; D14/318

(58) **Field of Classification Search** D14/432-434,
D14/314, 204, 420, 421, 447, 217, 358, 138 R,
D14/140, 142, 315, 318; D13/107, 108,
D13/146; D8/373; 248/346.03, 176.1; 361/679.41,
361/679.31, 679.32, 679.4, 679.43, 679.55,
361/679.58, 679.33, 679.27; 320/109, 112-115;
710/15, 303; 455/557; 439/347, 534
See application file for complete search history.

(56) **References Cited**

U.S. PATENT DOCUMENTS

6,625,015 B2 * 9/2003 Yin 361/679.4
6,643,127 B1 * 11/2003 Richardson 361/679.4
6,882,524 B2 * 4/2005 Ulla et al. 361/679.09
6,912,125 B2 * 6/2005 Weng 361/679.41
7,298,610 B2 * 11/2007 Kim et al. 361/679.55
7,440,275 B2 * 10/2008 Schedivy 361/679.41

7,620,425 B2 * 11/2009 Ju 455/566
D643,842 S * 8/2011 Marshall et al. D14/434
2002/0135977 A1 * 9/2002 Yin et al. 361/686
2004/0227730 A1 * 11/2004 Sugihara 345/157
2011/0255727 A1 * 10/2011 Azuchi 381/333

* cited by examiner

Primary Examiner — Freda S Nunn

(74) *Attorney, Agent, or Firm* — Jianq Chyun IP Office

(57) **CLAIM**

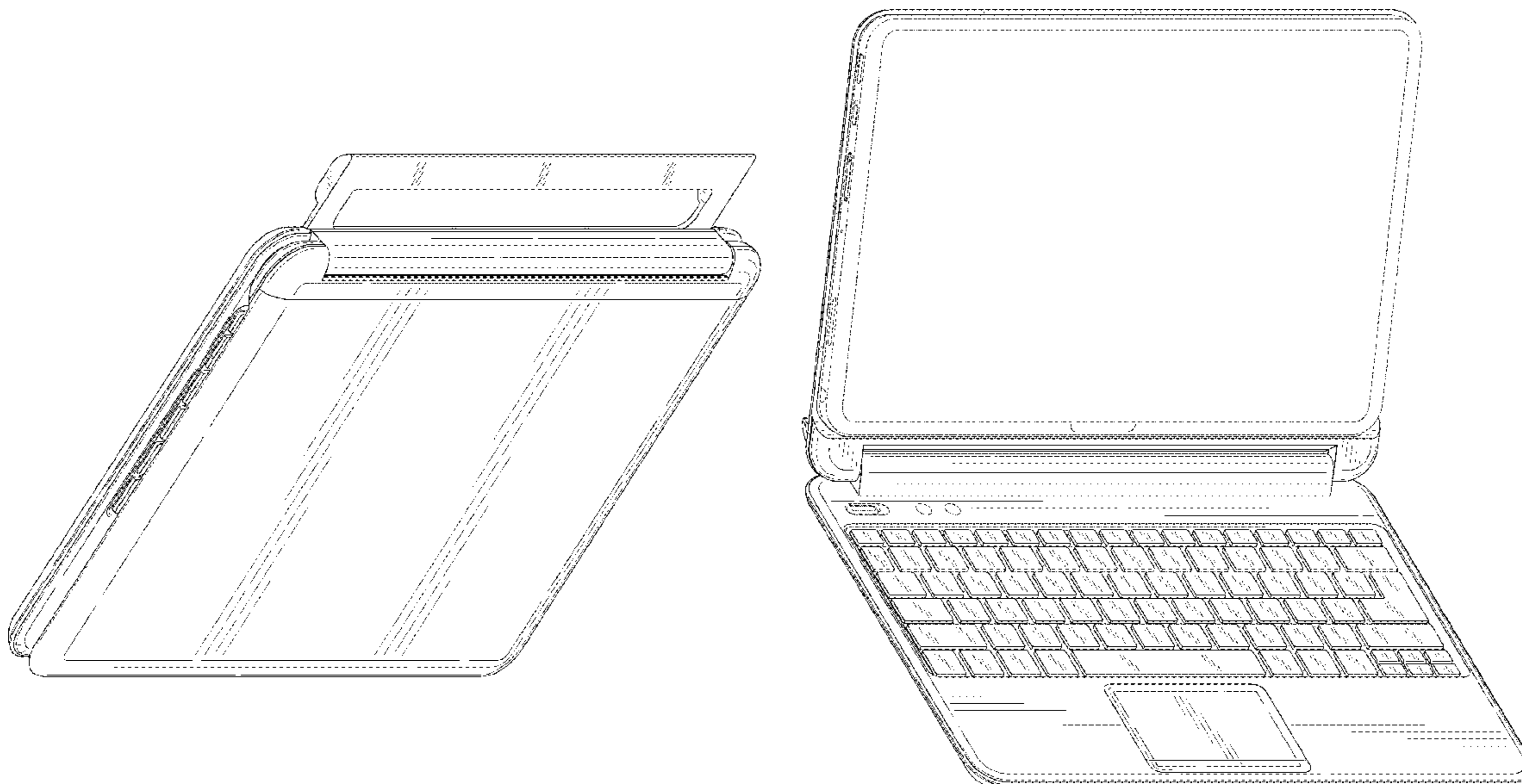
The ornamental design for a docking station for tablet computer, as shown and described.

DESCRIPTION

FIG. 1 is a perspective view of a docking station for tablet computer showing my new design in an open state; FIG. 2 is a front view thereof; FIG. 3 is a rear view thereof; FIG. 4 is a left side view thereof; FIG. 5 is a right side view thereof; FIG. 6 is a top view thereof; FIG. 7 is a bottom view thereof; FIG. 8 is a perspective view thereof in a closed state with the handle pulled out; FIG. 9 is a rear view thereof in a closed state with the handle pushed in; and, FIG. 10 is a perspective view thereof in an open state with a tablet computer mounted.

The broken line showing of the tablet computer in FIG. 10 represent unclaimed environment and form no part thereof. The broken line showing of portions of the docking station for tablet computer in the drawings represent unclaimed portions of the claimed design and form no part thereof.

1 Claim, 10 Drawing Sheets



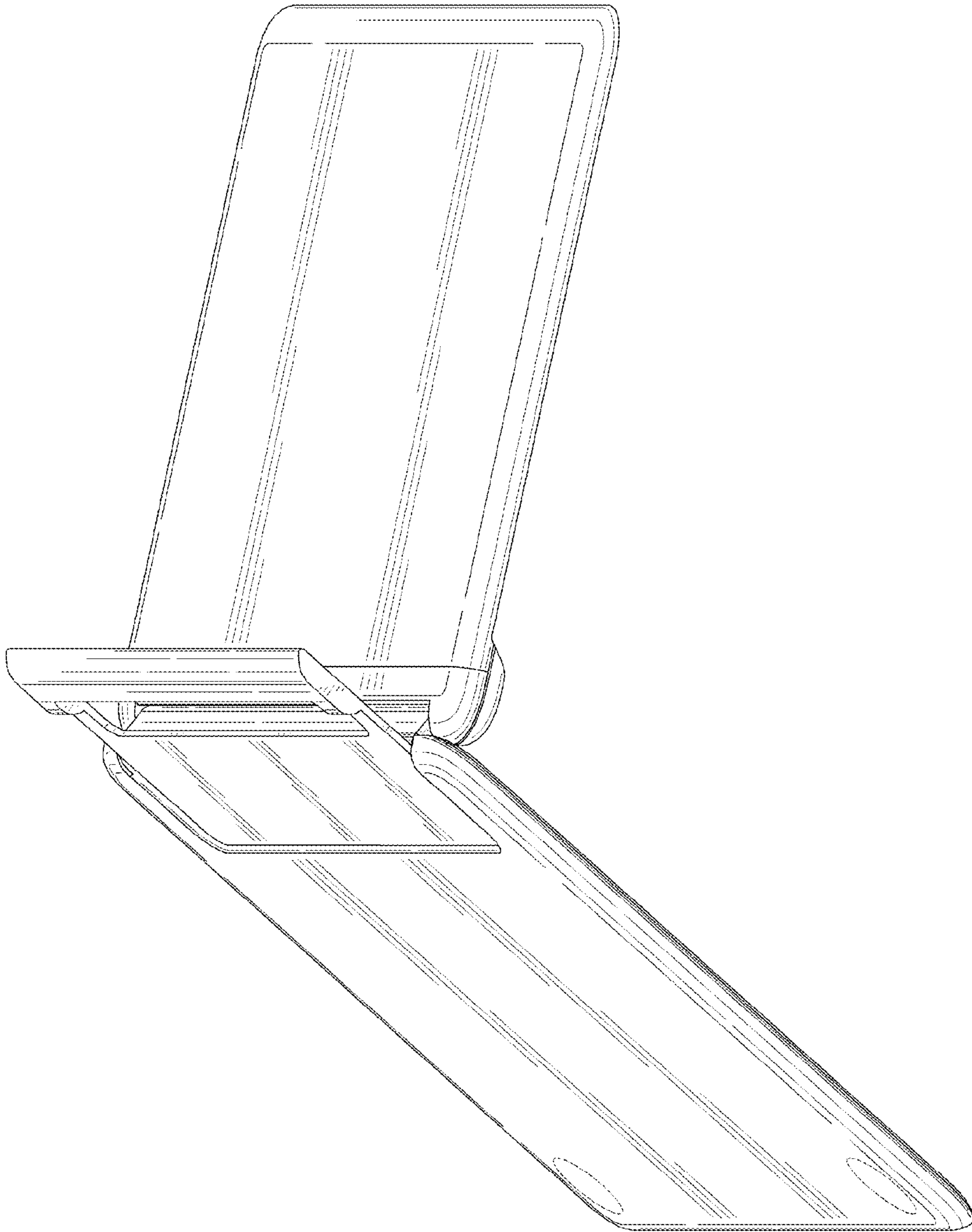


FIG. 1

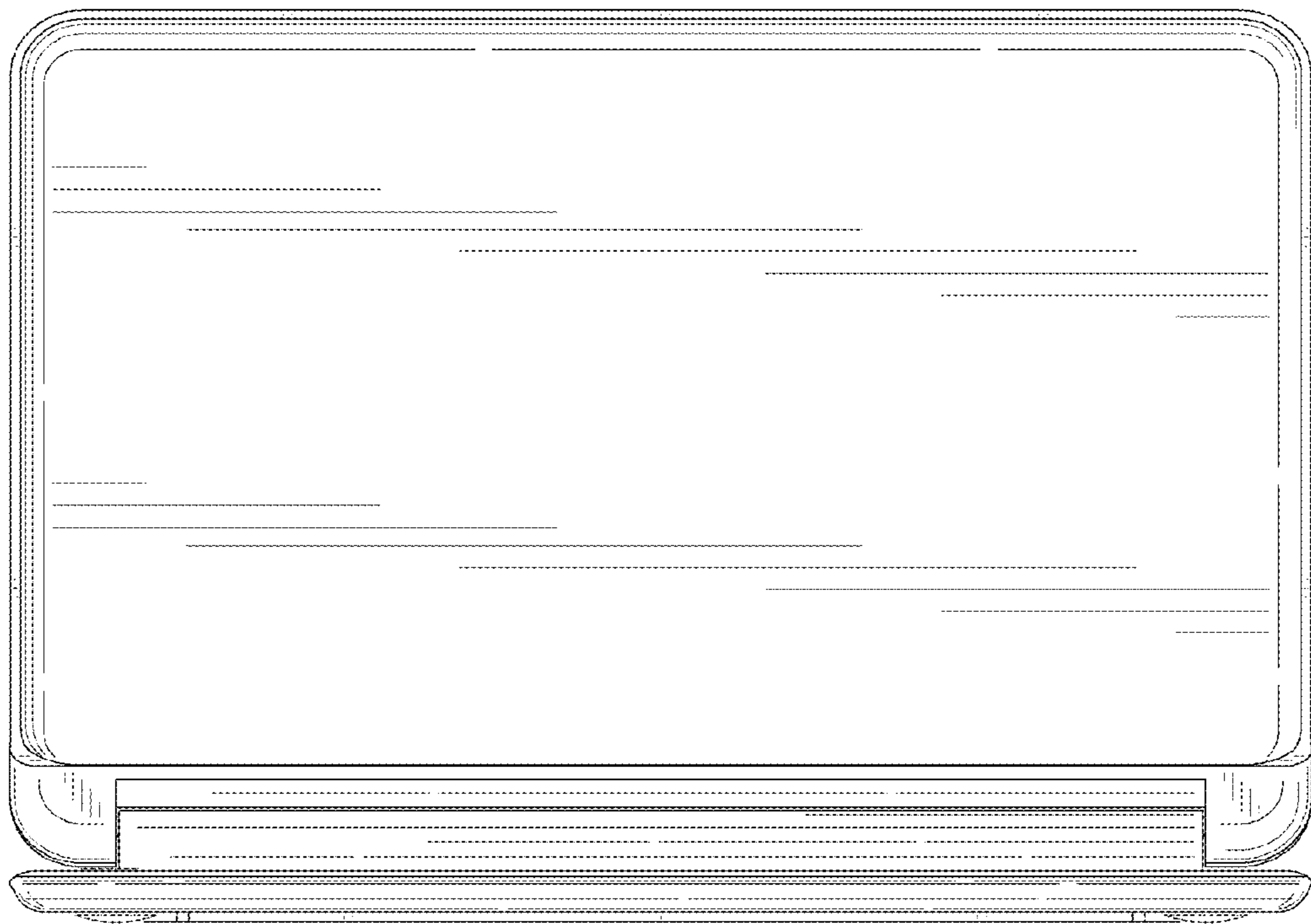


FIG. 2

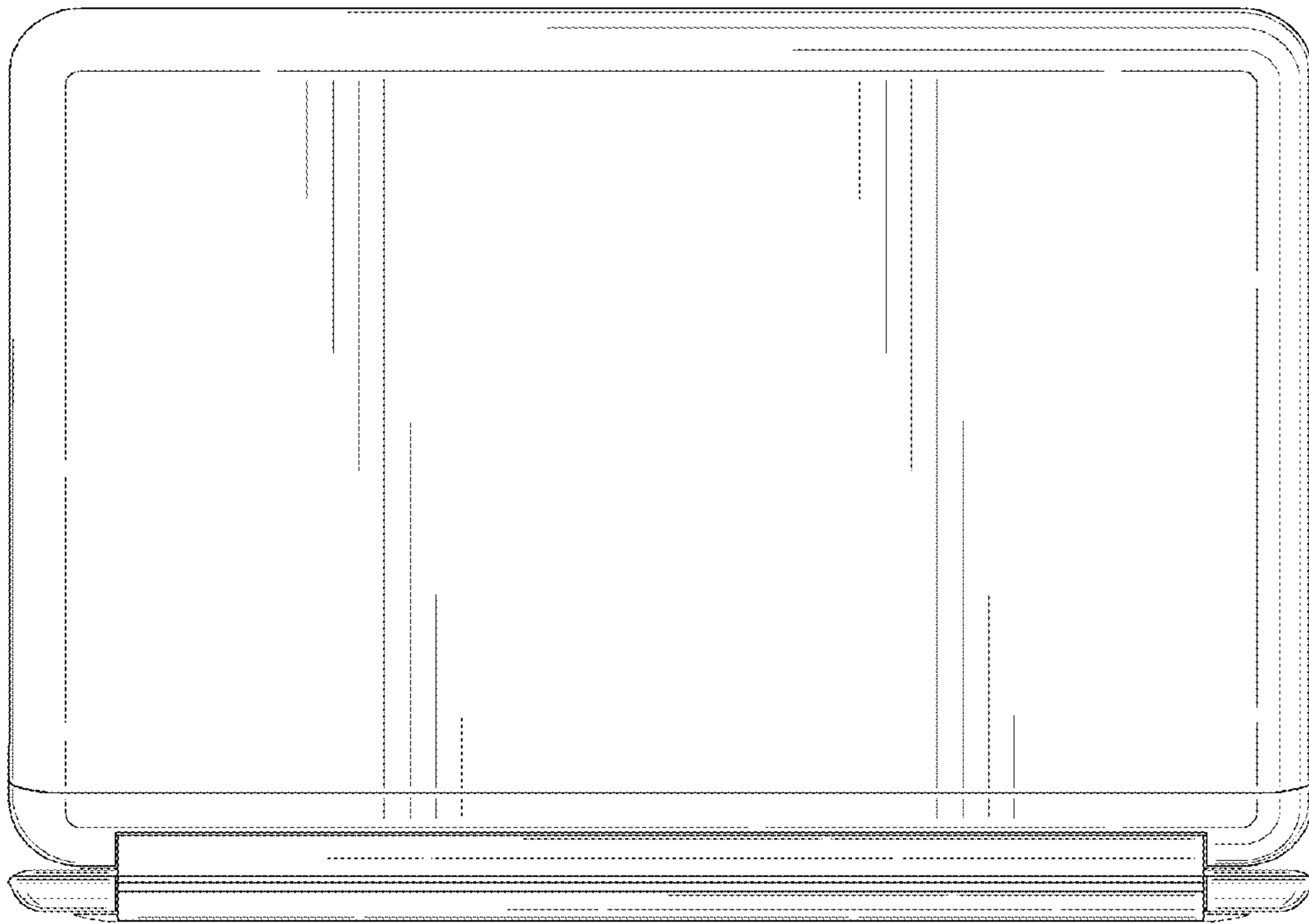


FIG. 3

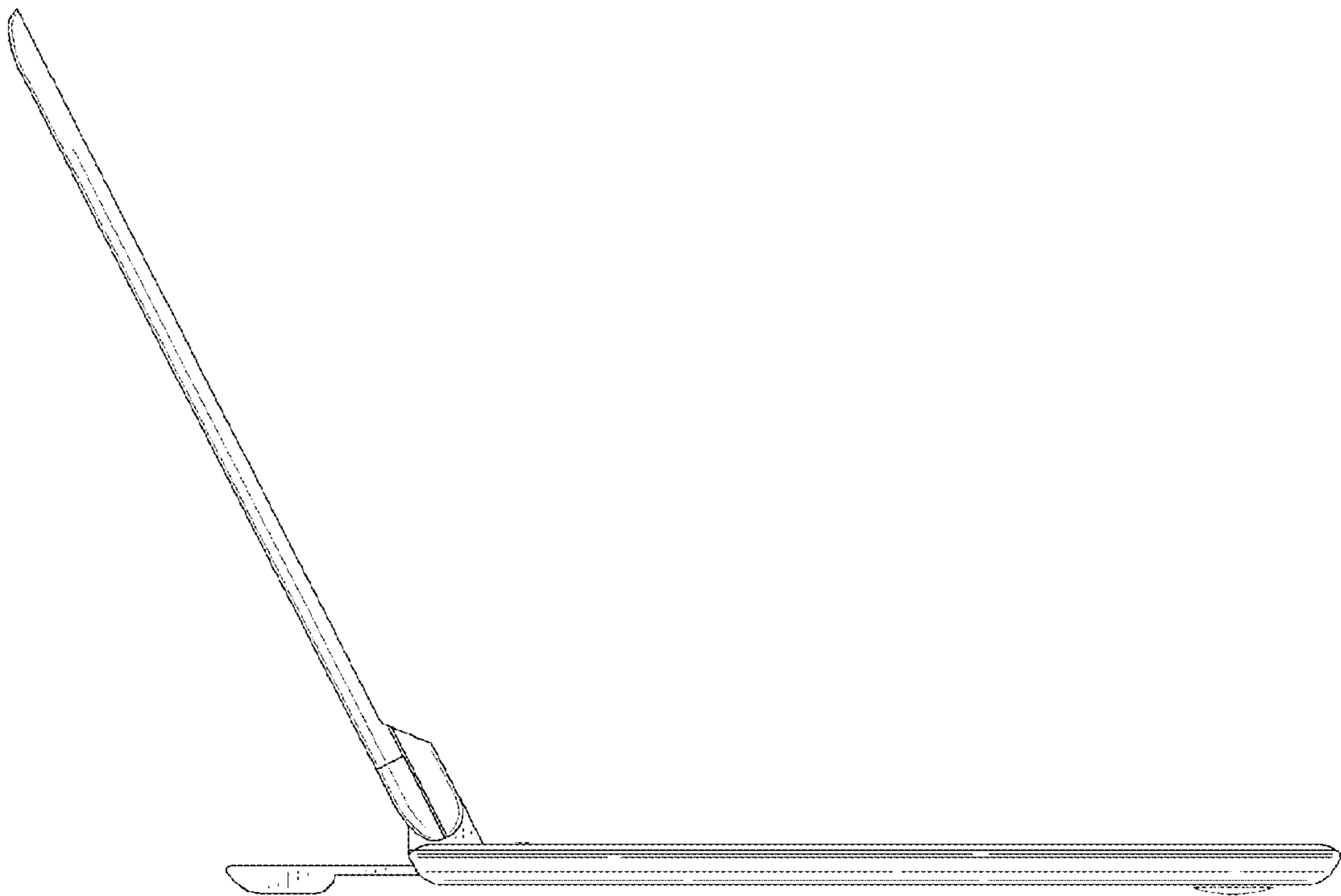


FIG. 4

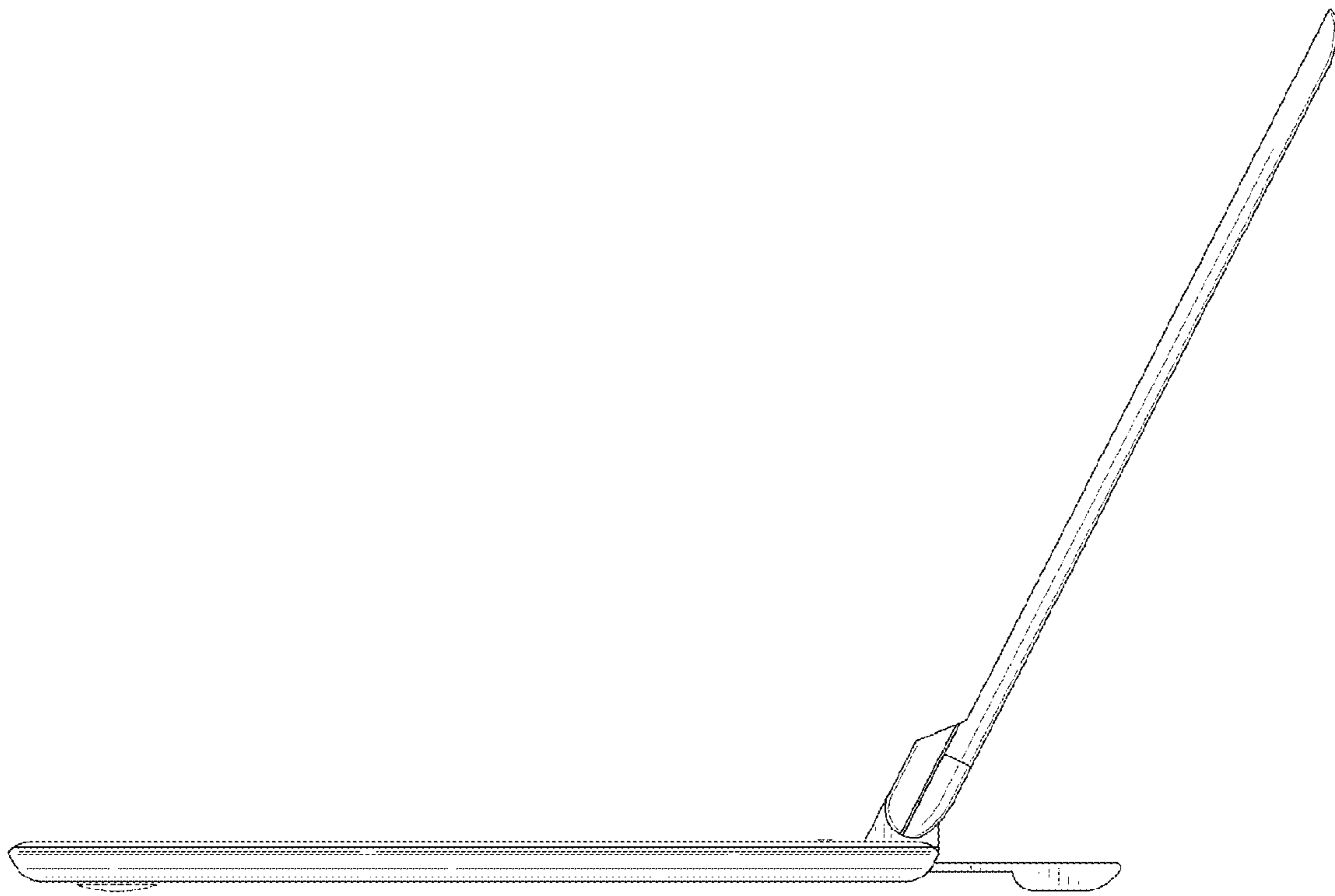


FIG. 5

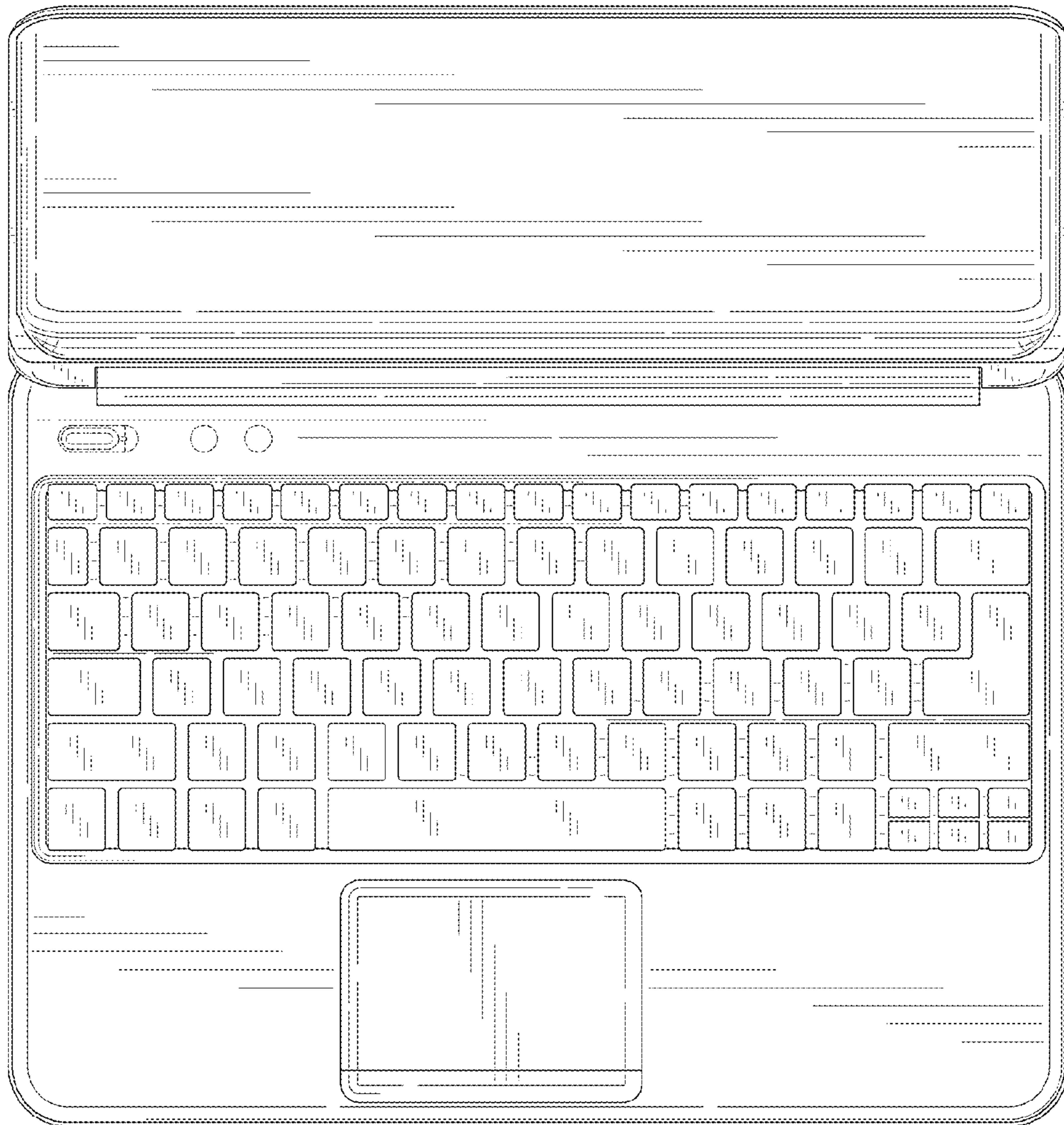


FIG. 6

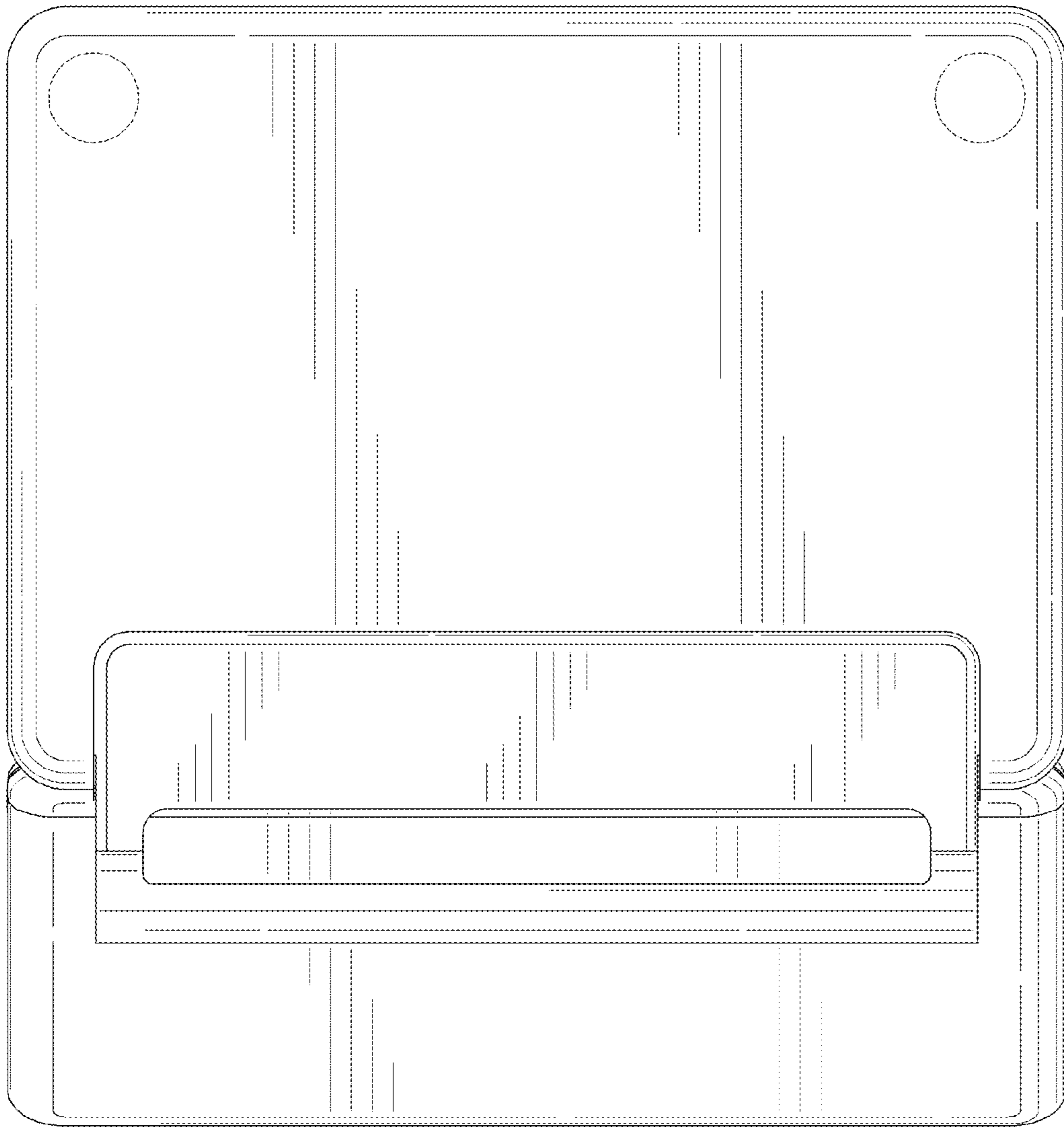


FIG. 7

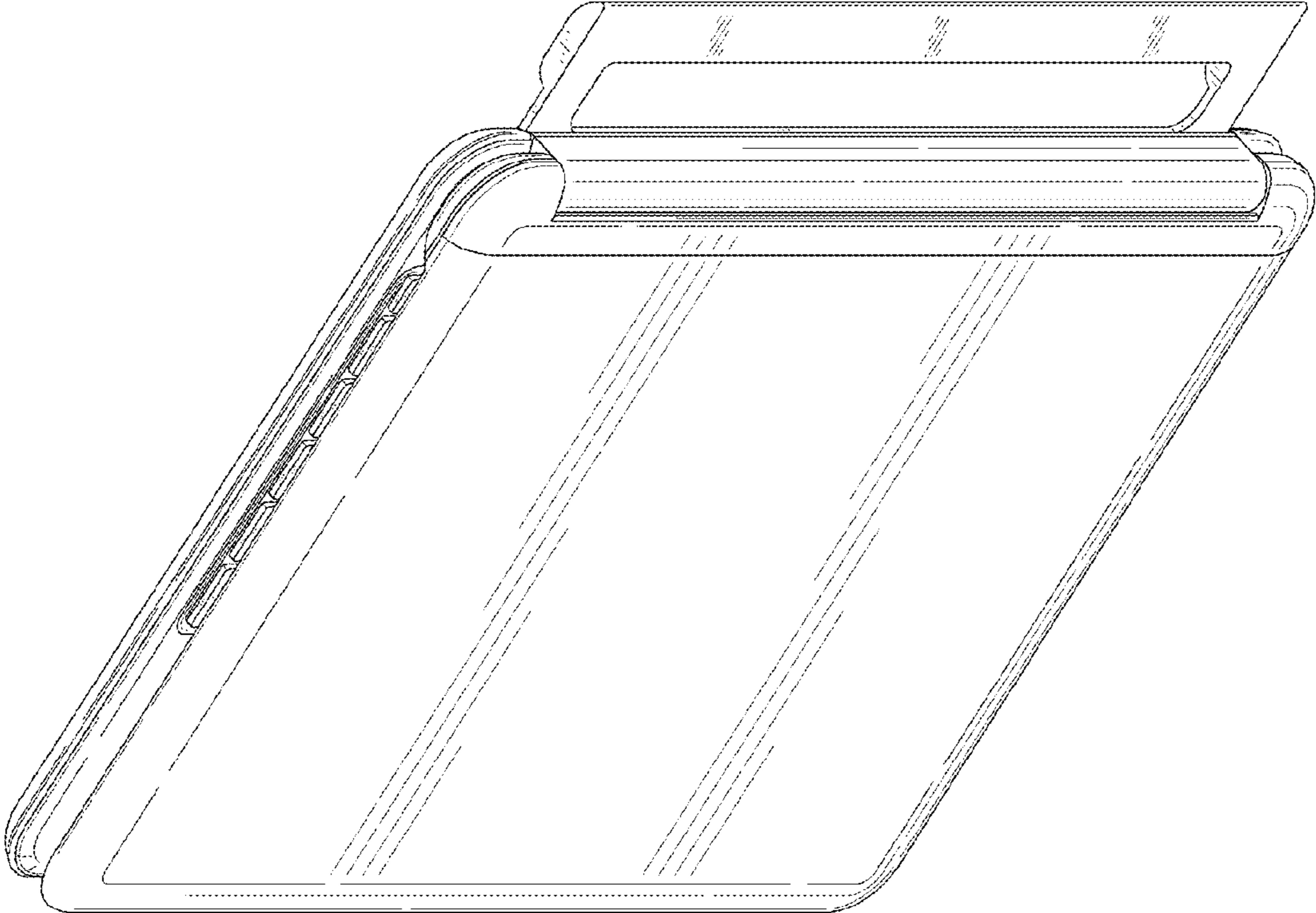


FIG. 8

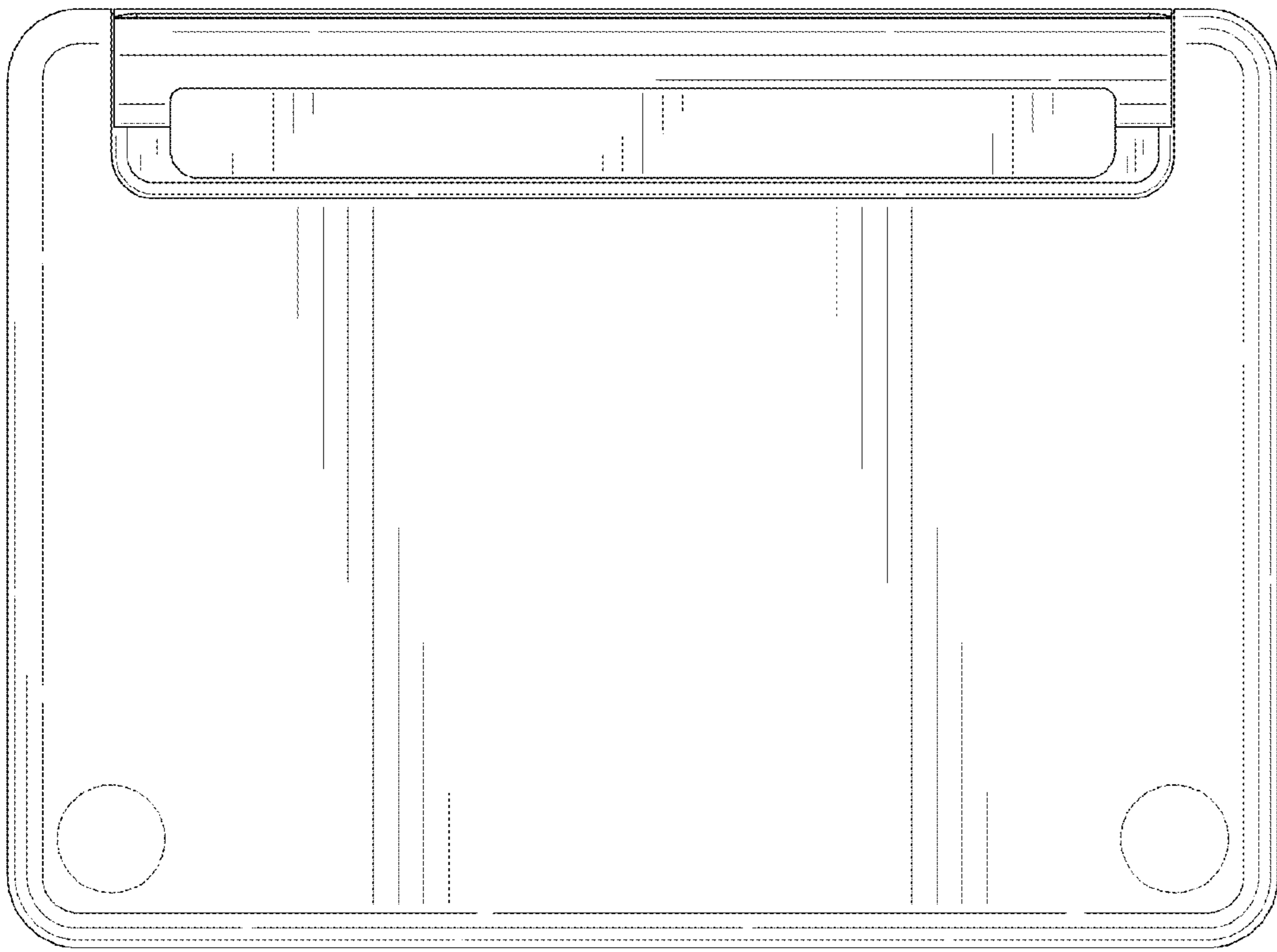


FIG. 9

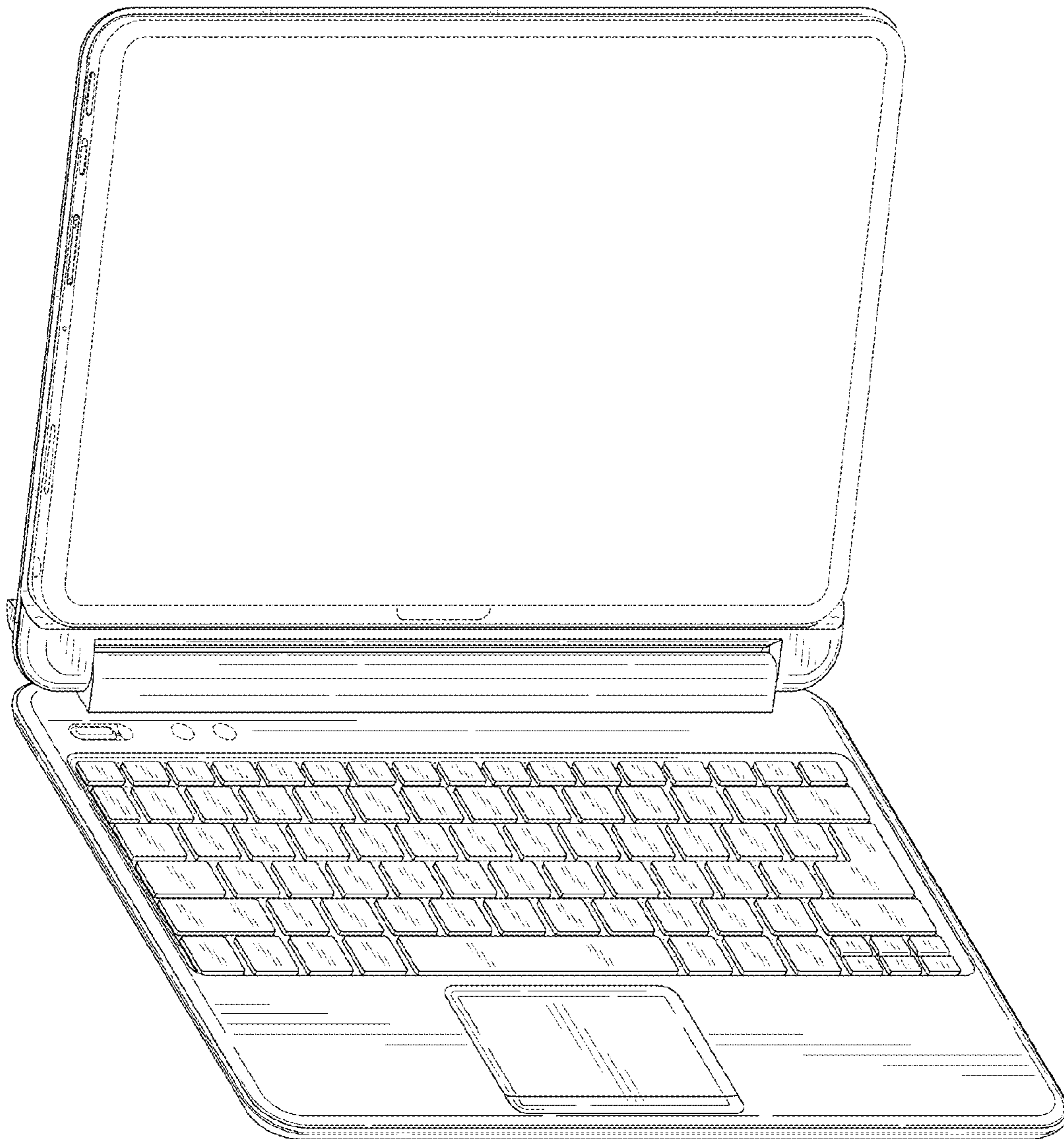


FIG. 10