



US00D680116S

(12) **United States Design Patent**  
**McParland et al.**

(10) **Patent No.:** **US D680,116 S**  
(45) **Date of Patent:** **\*\* Apr. 16, 2013**

(54) **CARTRIDGE INTERFACE**

(75) Inventors: **Paul T. McParland**, Saratoga, CA (US);  
**Mu-Jung Chen**, New Taipei (TW);  
**Ming-Hsueh Tsai**, Taipei (TW)

(73) Assignee: **Seagate Technology LLC**, Cupertino,  
CA (US)

(\*\*) Term: **14 Years**

(21) Appl. No.: **29/408,548**

(22) Filed: **Dec. 14, 2011**

(51) **LOC (9) Cl.** ..... **14-02**

(52) **U.S. Cl.**  
USPC ..... **D14/434**

(58) **Field of Classification Search** ..... D14/432-434,  
D14/314, 204, 420, 421, 447, 217, 358, 138 R,  
D14/140, 142; D13/107, 108, 146; D8/373;  
248/346.03, 176.1; 361/679.41, 679.31,  
361/679.32, 679.4, 679.43, 679.55, 679.58,  
361/679.33; 320/109, 112-115; 710/15,  
710/303; 455/557; 439/347, 534  
See application file for complete search history.

(56) **References Cited**

U.S. PATENT DOCUMENTS

D331,573 S *	12/1992	Iino	.....	D14/434
D457,526 S *	5/2002	Hawkins et al.	.....	D14/434
D463,414 S *	9/2002	Gao	.....	D14/240
D505,958 S *	6/2005	Cheng	.....	D14/434
D632,693 S *	2/2011	Heppener	.....	D14/434
D640,699 S	6/2011	McParland		
D641,362 S	7/2011	Dublin		

D641,364 S	7/2011	McParland		
D641,368 S	7/2011	McParland		
D647,908 S *	11/2011	Chen et al.	.....	D14/434
2003/0116631 A1 *	6/2003	Salvato et al.	.....	235/472.01

OTHER PUBLICATIONS

U.S. Appl. No. 29/406,000, McParland, filed Nov. 9, 2011.  
U.S. Appl. No. 29/405,706, McParland, filed Nov. 4, 2011.  
U.S. Appl. No. 29/406,001, McParland, filed Nov. 9, 2011.

\* cited by examiner

*Primary Examiner* — Freda S Nunn

(74) *Attorney, Agent, or Firm* — Mueting Raasch &  
Gebhardt PA

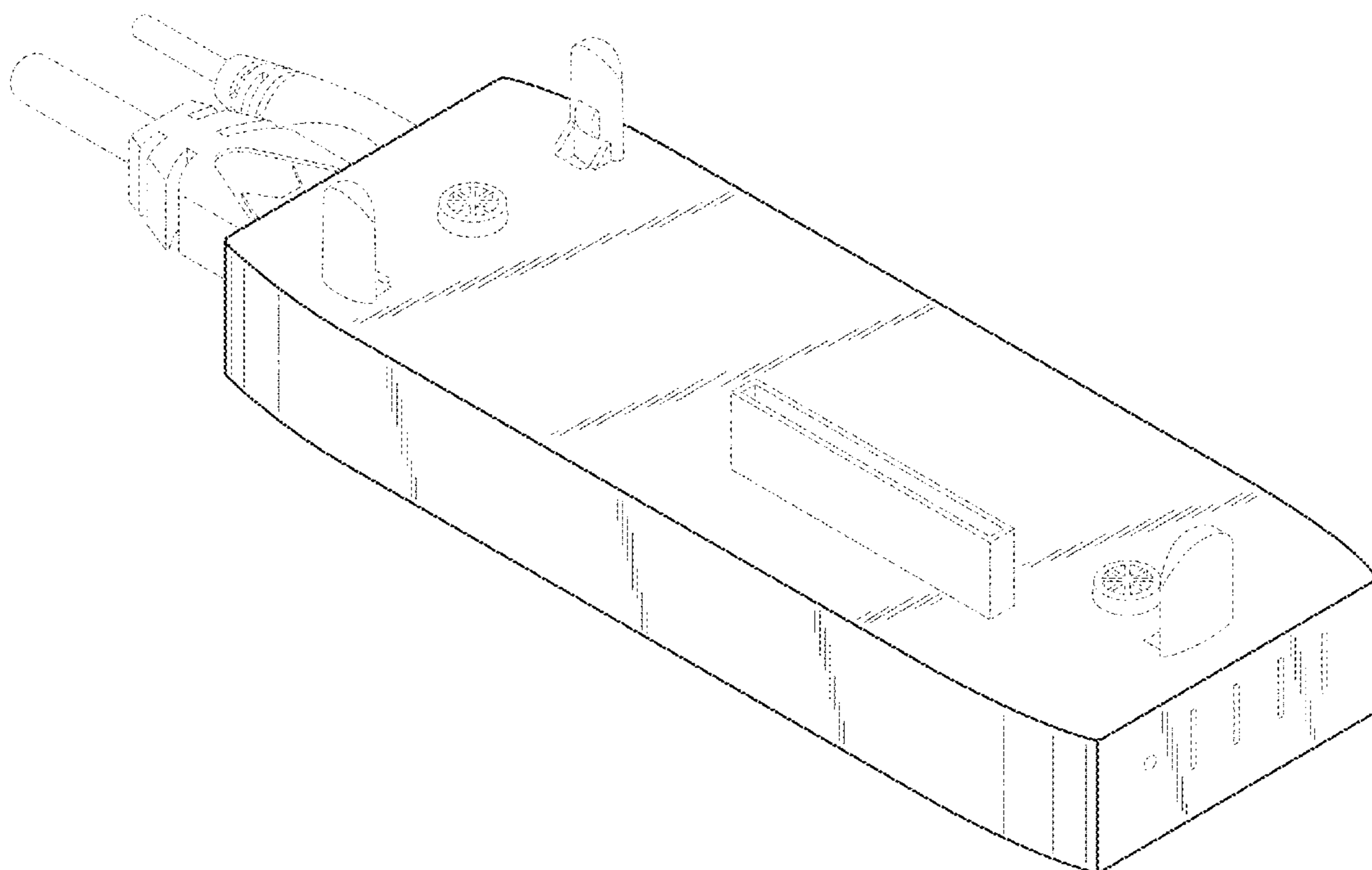
(57) **CLAIM**

The ornamental design for a cartridge interface, as shown and described.

**DESCRIPTION**

FIG. 1 is a front perspective view of a cartridge interface showing our new design;  
FIG. 2 is a top view thereof;  
FIG. 3 is a bottom view thereof;  
FIG. 4 is a front view thereof;  
FIG. 5 is a rear view thereof;  
FIG. 6 is a right side view thereof;  
FIG. 7 is the left side view thereof; and,  
FIG. 8 is a front perspective view thereof showing an attached cartridge in broken lines.  
Broken lines shown in the drawings illustrate portions of the cartridge interface and form no part of the claimed design.

**1 Claim, 6 Drawing Sheets**



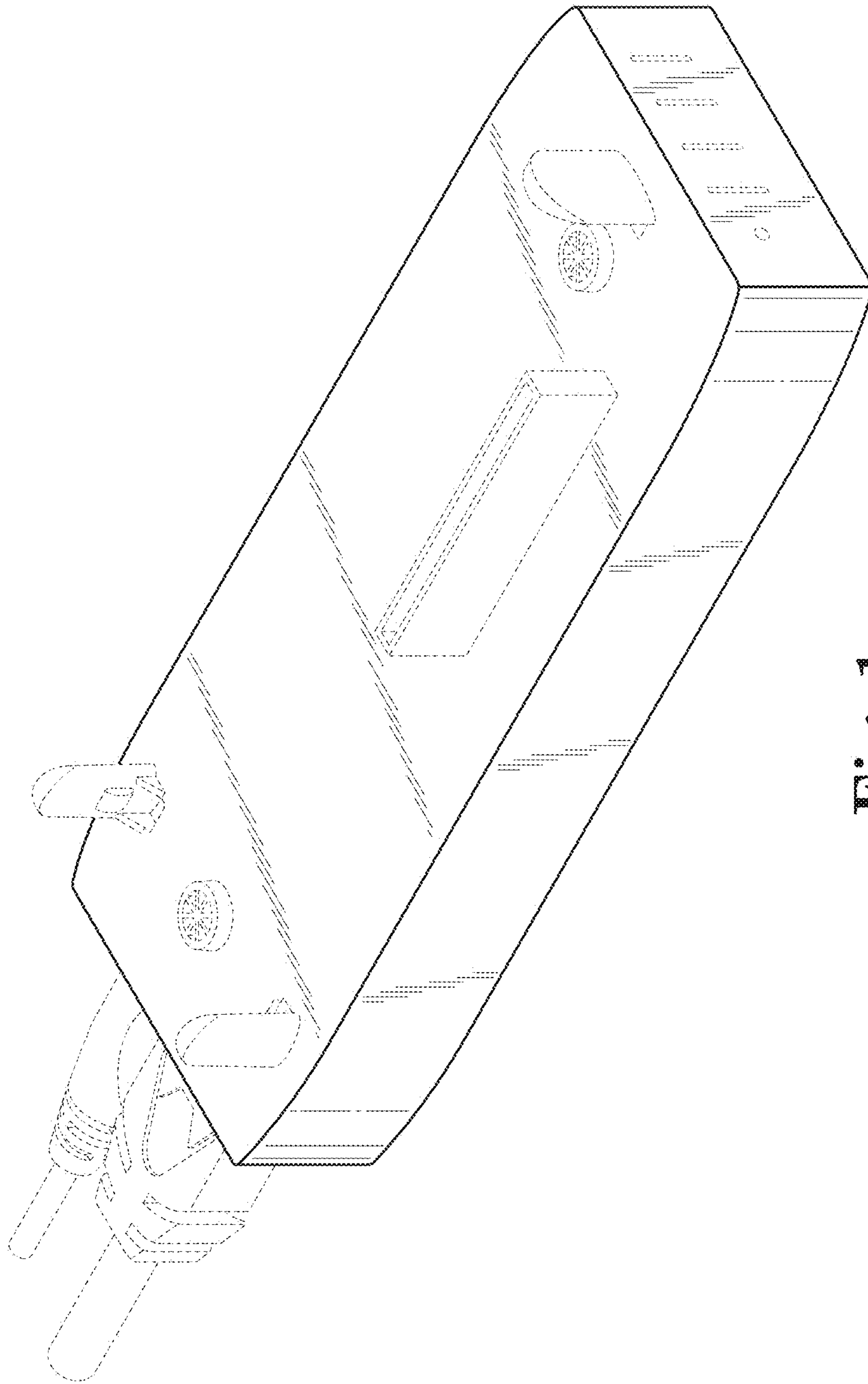


Fig. 1

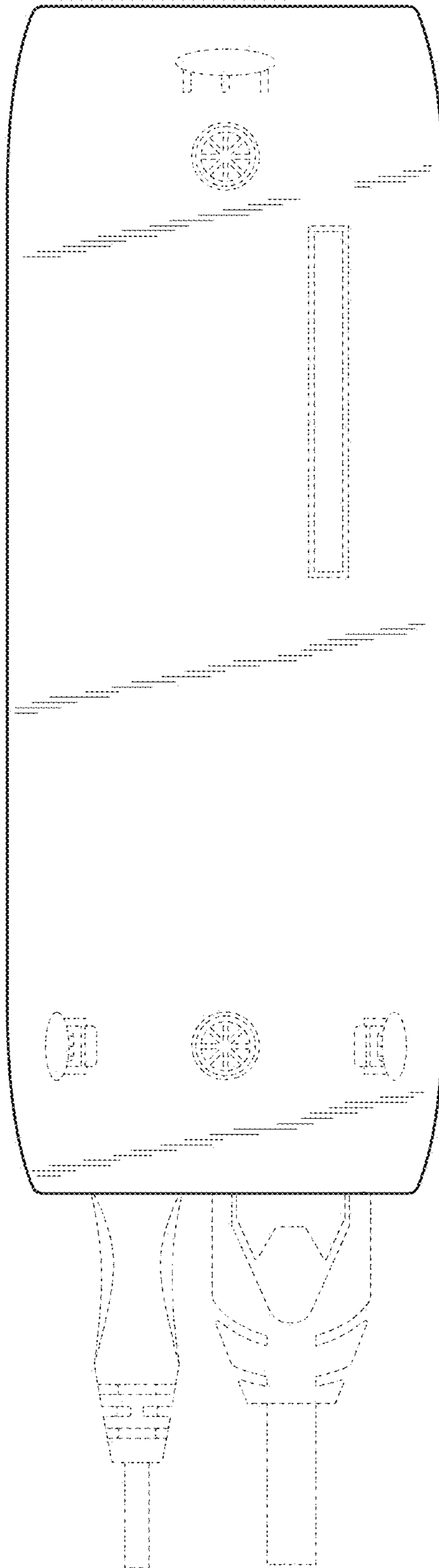


Fig. 2

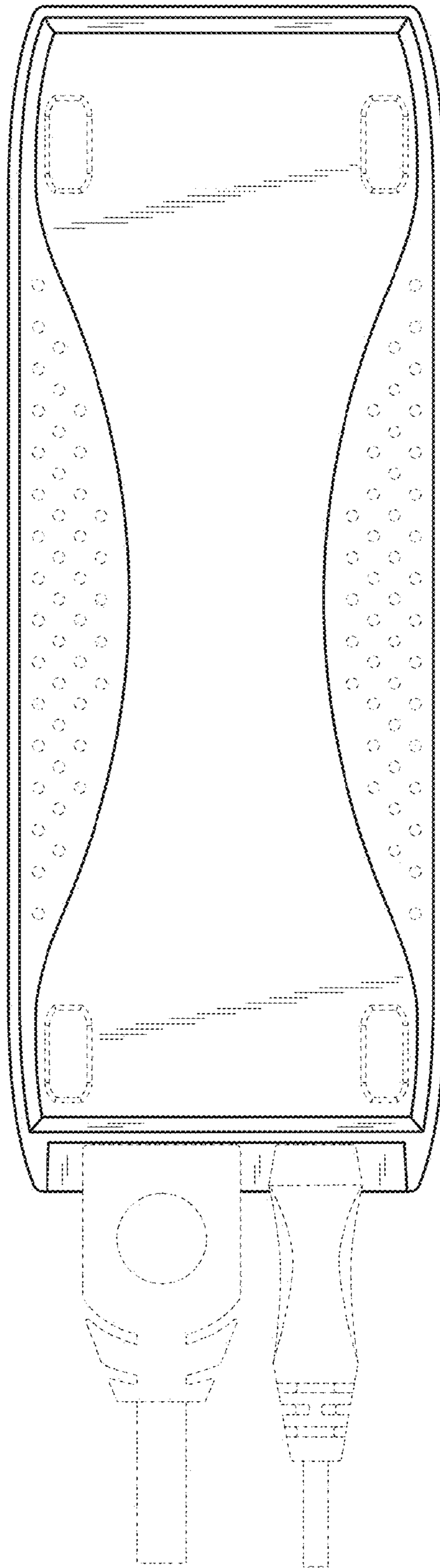


Fig. 3

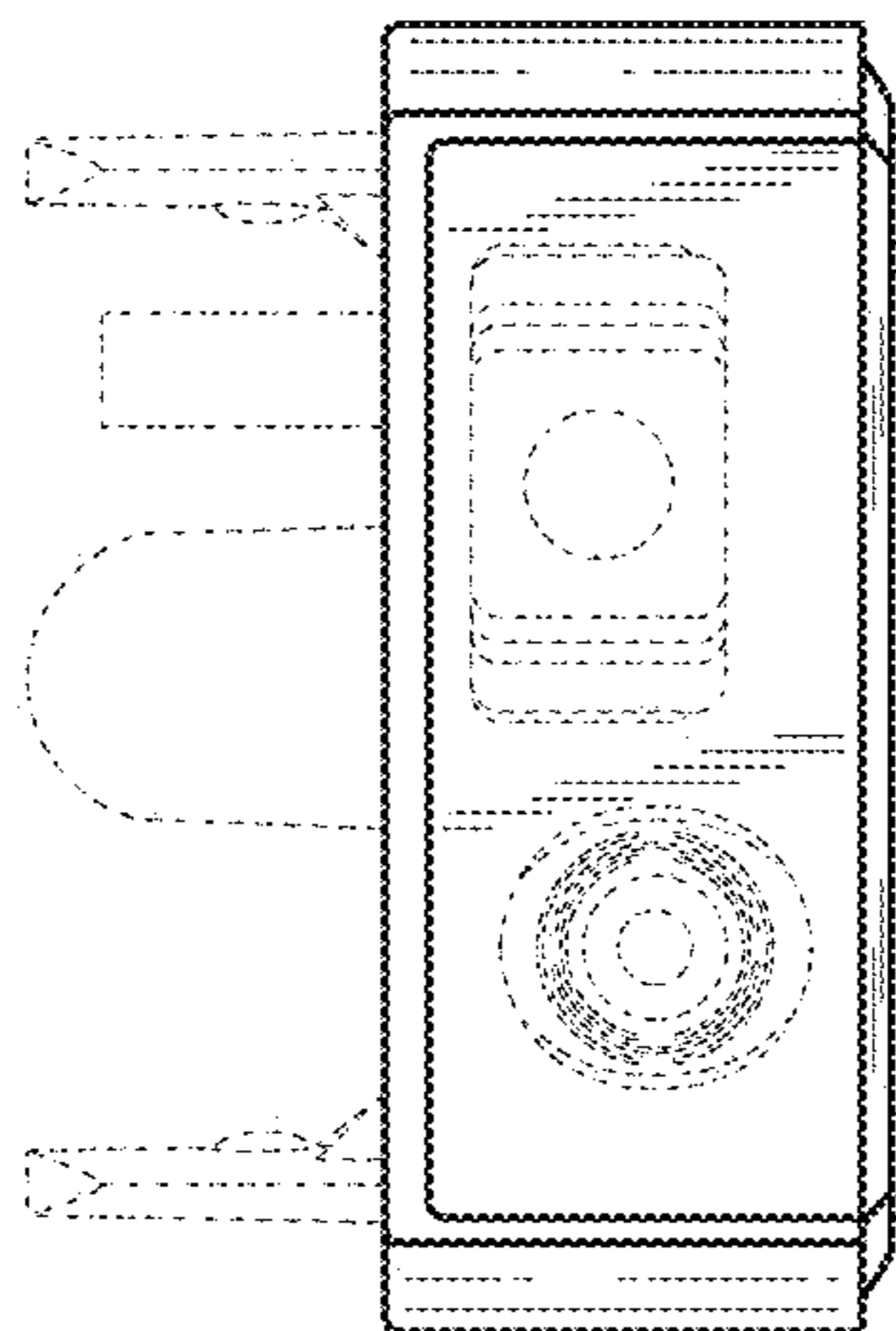


Fig. 5

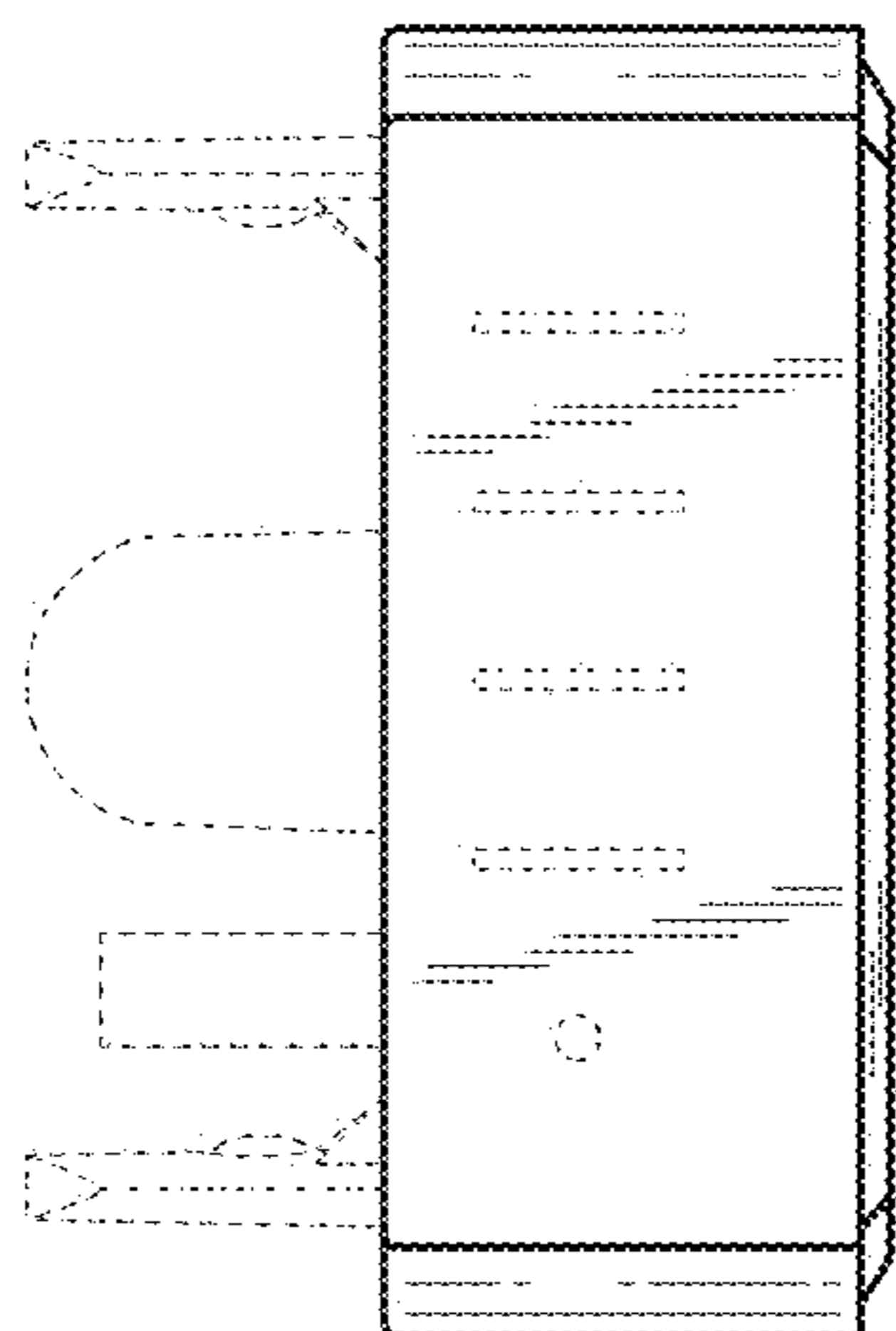


Fig. 4

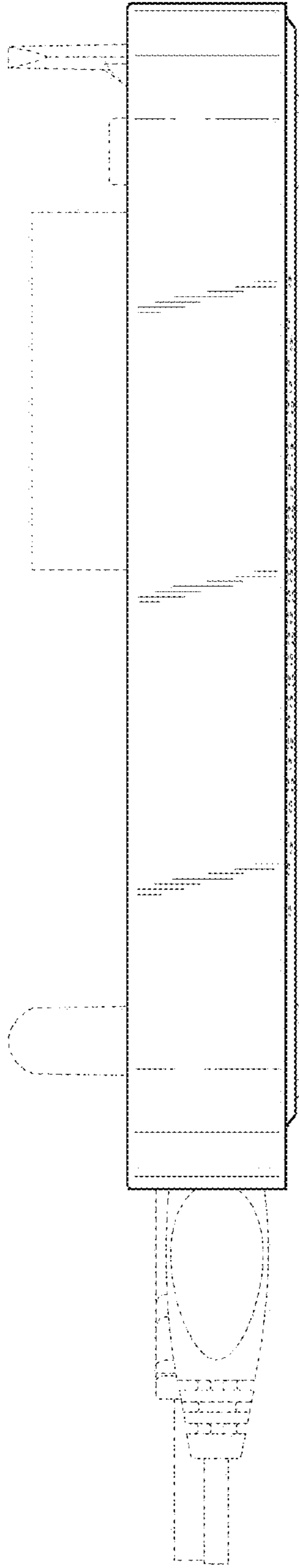


Fig. 6

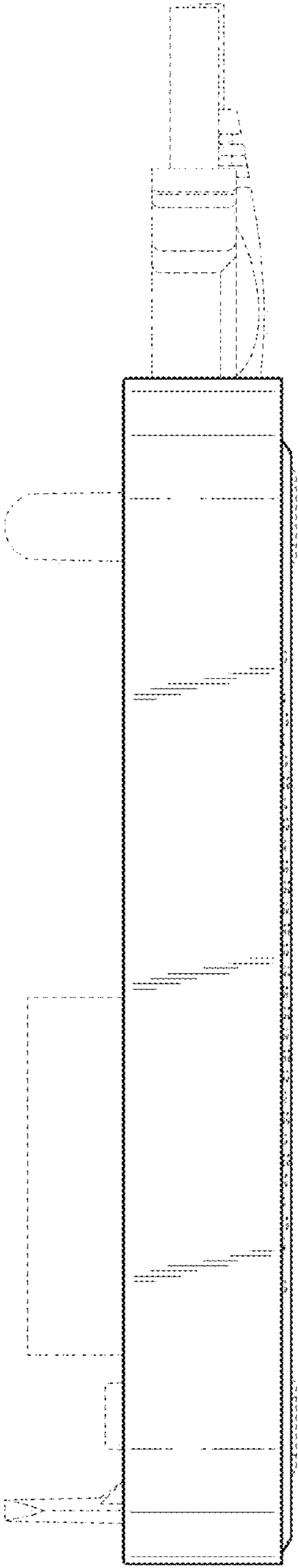


Fig. 7

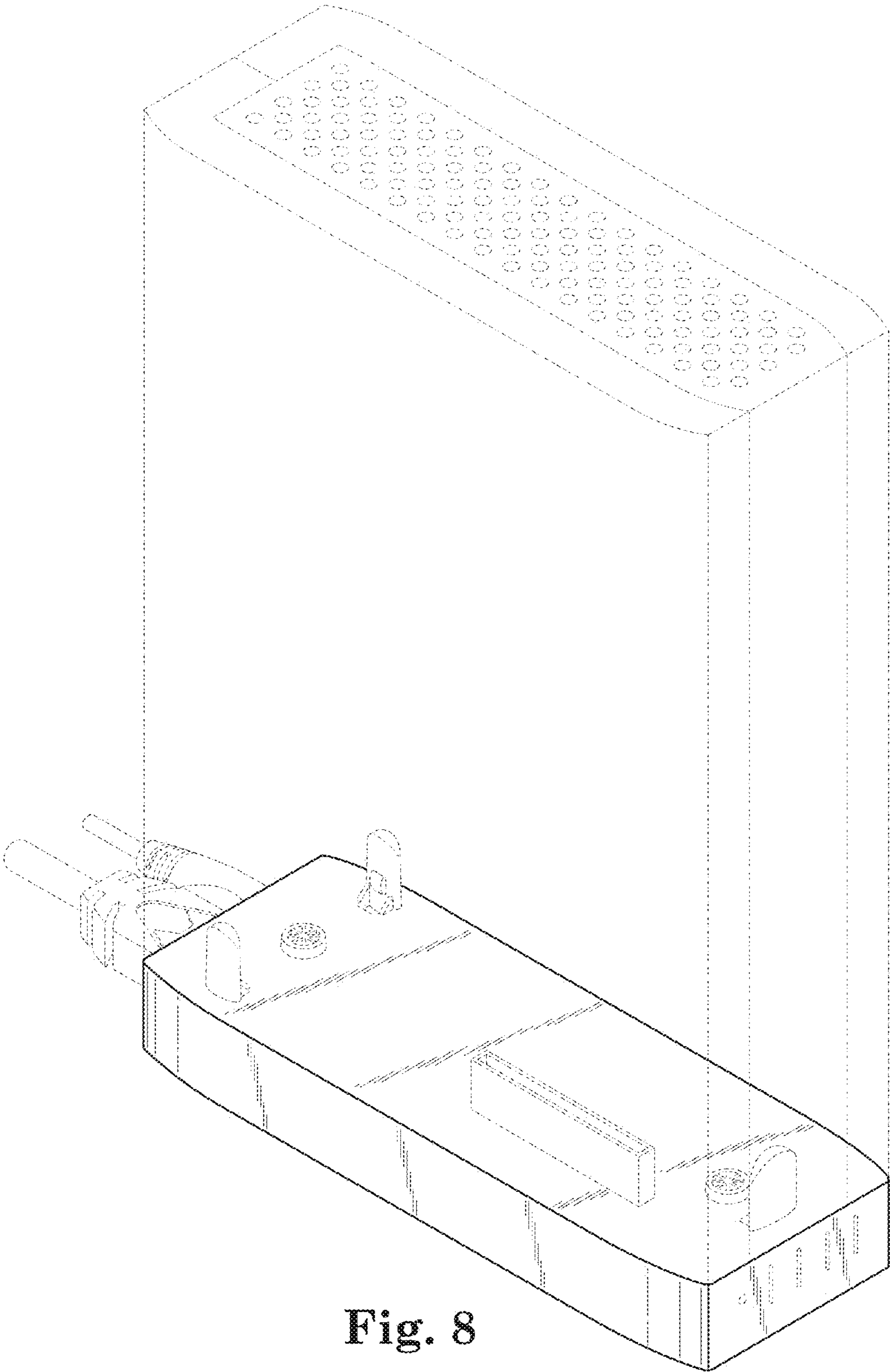


Fig. 8