



US00D680115S

(12) **United States Design Patent**
Kasai

(10) **Patent No.:** **US D680,115 S**
(45) **Date of Patent:** **** Apr. 16, 2013**

(54) **SCANNER**

(75) Inventor: **Hidekazu Kasai**, Kawasaki (JP)

(73) Assignee: **Banctec Japan, Inc.**, Kawasaki-Shi (JP)

(**) Term: **14 Years**

(21) Appl. No.: **29/396,722**

(22) Filed: **Jul. 6, 2011**

(30) **Foreign Application Priority Data**

Jan. 7, 2011 (JP) 2011-000208

(51) **LOC (9) Cl.** **14-02**

(52) **U.S. Cl.**

USPC **D14/421**; D14/420

(58) **Field of Classification Search** D14/421-425;
D18/55, 49, 46, 40, 36-39, 41, 44, 45, 47,
D18/48, 50-54, 56; 235/462, 455, 470, 462.43,
235/482, 483; 358/474, 486, 488, 496, 497,
358/498, 452, 449, 451, 453, 1.13; 318/685,
318/696; 355/81, 75; 399/405, 367, 379,
399/380; 382/217; 715/209, 222, 226, 274;
400/613, 613.1-613.4, 690.1-690.4, 691-694
See application file for complete search history.

(56) **References Cited**

U.S. PATENT DOCUMENTS

D195,127 S * 4/1963 Inatomi et al. D14/421
D240,558 S * 7/1976 Shohoji et al. D18/53
D240,967 S * 8/1976 Sottsass D14/303
D242,287 S * 11/1976 Takatsuki et al. D18/53
D246,670 S * 12/1977 Bixler et al. D14/303
4,448,631 A * 5/1984 Eaton et al. 156/521
4,494,655 A * 1/1985 Horii et al. 209/569
D300,747 S * 4/1989 Bain D18/35.1

D301,150 S * 5/1989 Bain D18/35.1
4,913,295 A * 4/1990 Murphy et al. 209/583
D310,351 S * 9/1990 Bain D14/303
D327,257 S * 6/1992 Riess et al. D18/35.1
5,145,165 A * 9/1992 Sarinopoulos et al. 271/177
D353,618 S * 12/1994 Hiraishi et al. D18/53
D357,934 S * 5/1995 Karafuji et al. D18/53
D363,735 S * 10/1995 Karafuji et al. D18/53
D493,795 S * 8/2004 Araki D14/421
D505,153 S * 5/2005 DeWitt et al. D18/35.1
D519,547 S * 4/2006 Kumar et al. D18/35.1
D555,721 S * 11/2007 Phillips et al. D18/53
D574,881 S * 8/2008 Forbes et al. D18/35.1
D596,224 S * 7/2009 Hubler D18/35.1
D597,131 S * 7/2009 Yamano et al. D18/53
D645,898 S * 9/2011 Stenzel D18/53
D663,596 S * 7/2012 Kosciolek et al. D8/53
D673,212 S * 12/2012 Okamoto D18/53

* cited by examiner

Primary Examiner — Susan Moon Lee

(74) *Attorney, Agent, or Firm* — Oliff & Berridge PLC

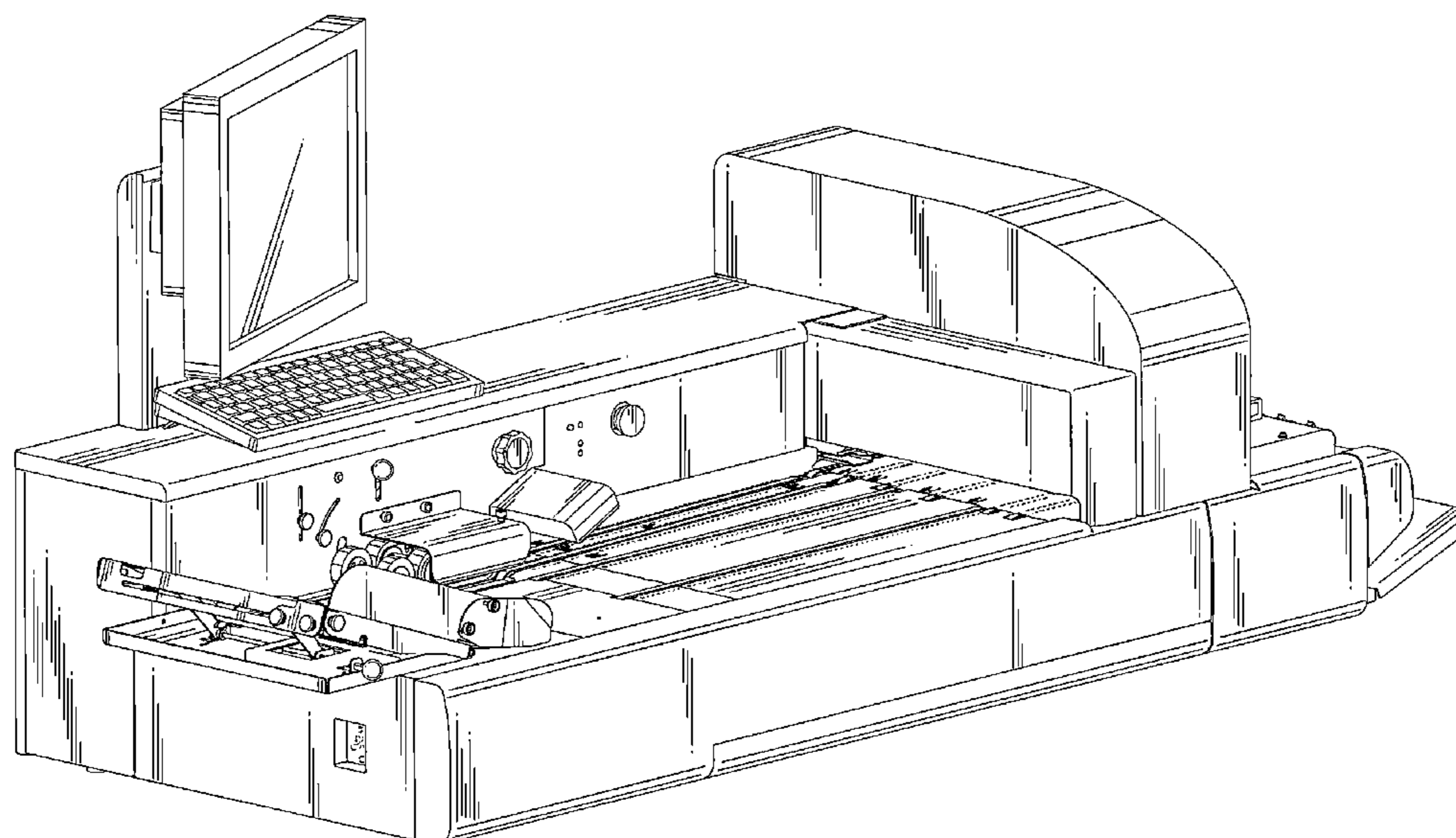
(57) **CLAIM**

The ornamental design for a scanner, as shown and described.

DESCRIPTION

FIG. 1 is a perspective view of a scanner;
FIG. 2 is a front view thereof;
FIG. 3 is a top view thereof;
FIG. 4 is a right-side view thereof;
FIG. 5 is a left-side view thereof;
FIG. 6 is a rear view thereof;
FIG. 7 is a bottom view thereof; and,
FIG. 8 is another perspective view thereof.
Broken lines and portions contained within broken lines are not claimed.

1 Claim, 7 Drawing Sheets



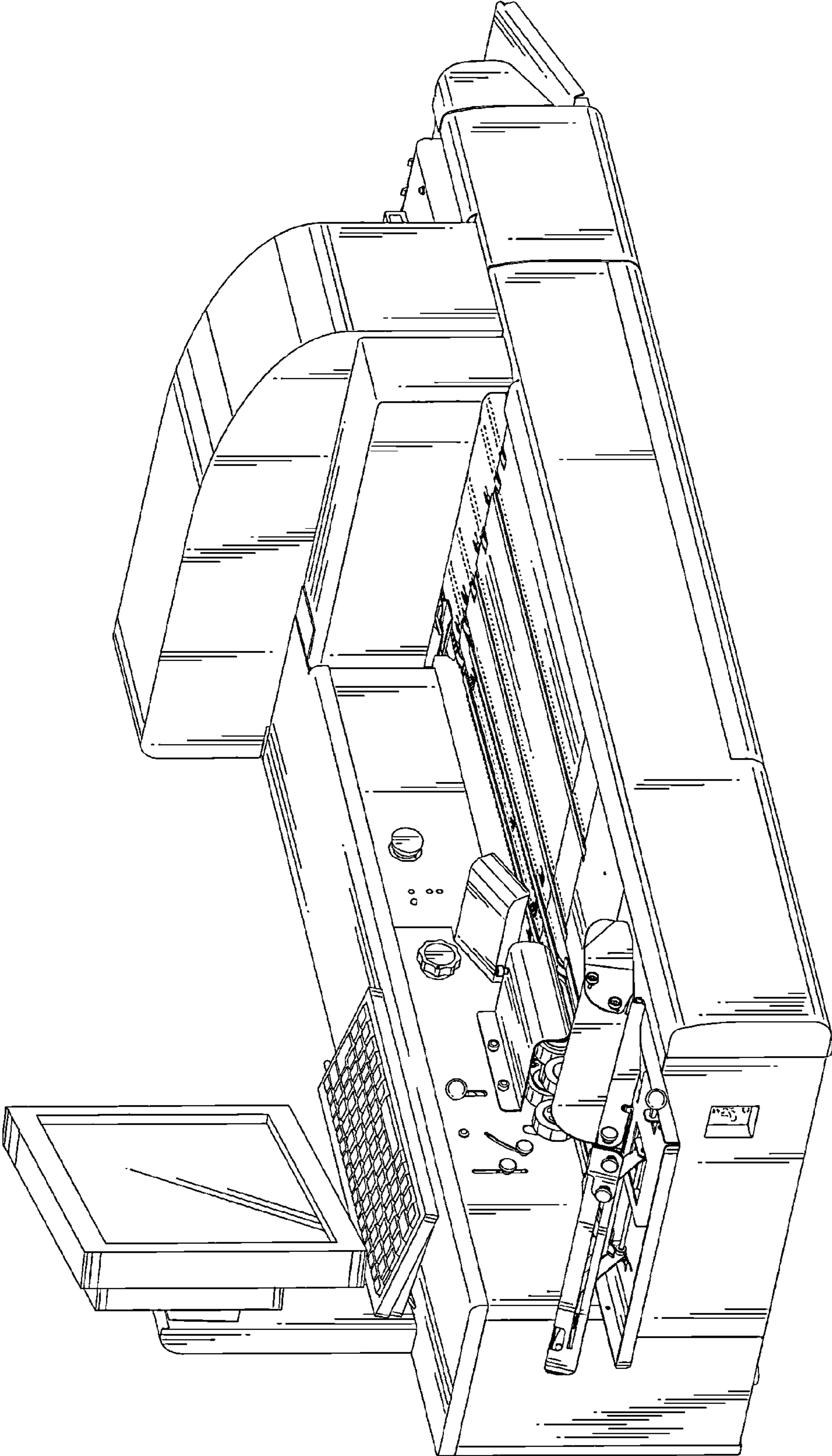


FIG. 1

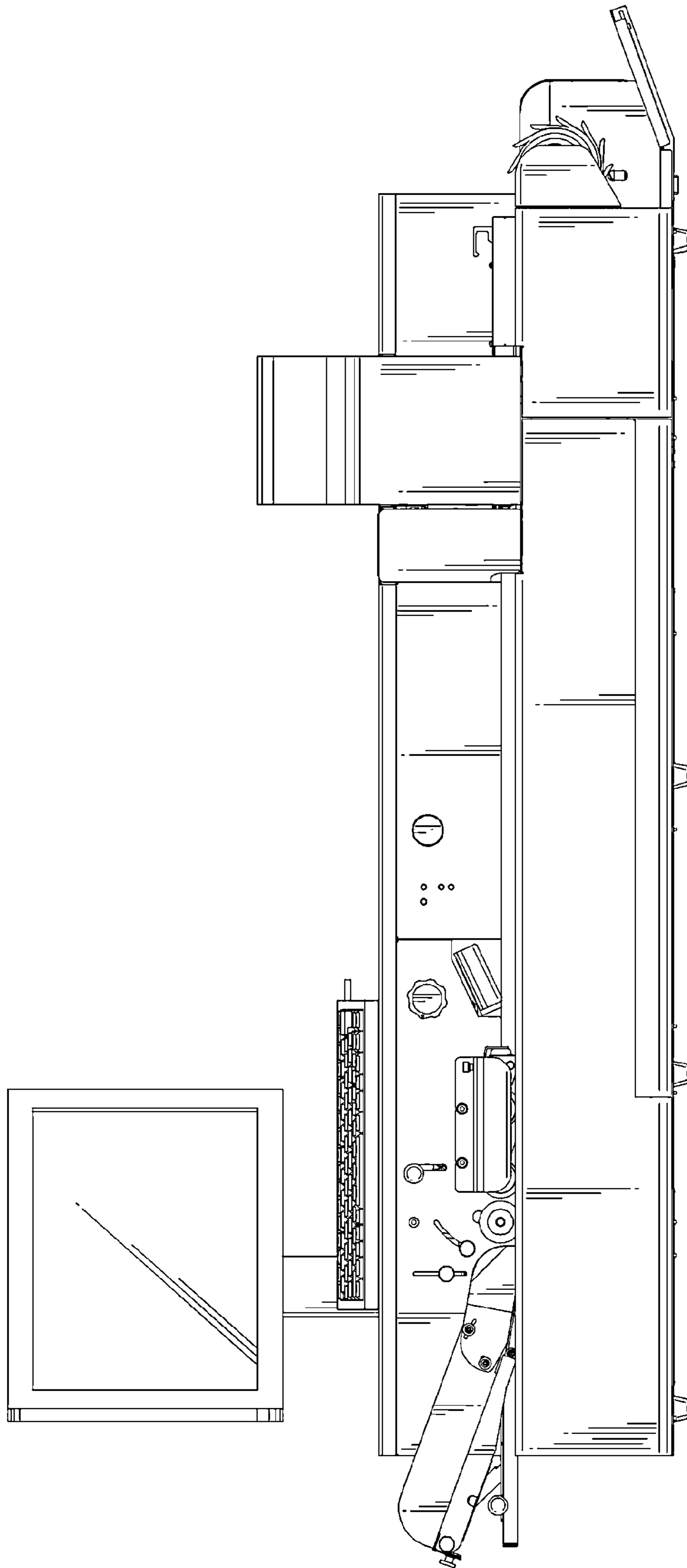


FIG. 2

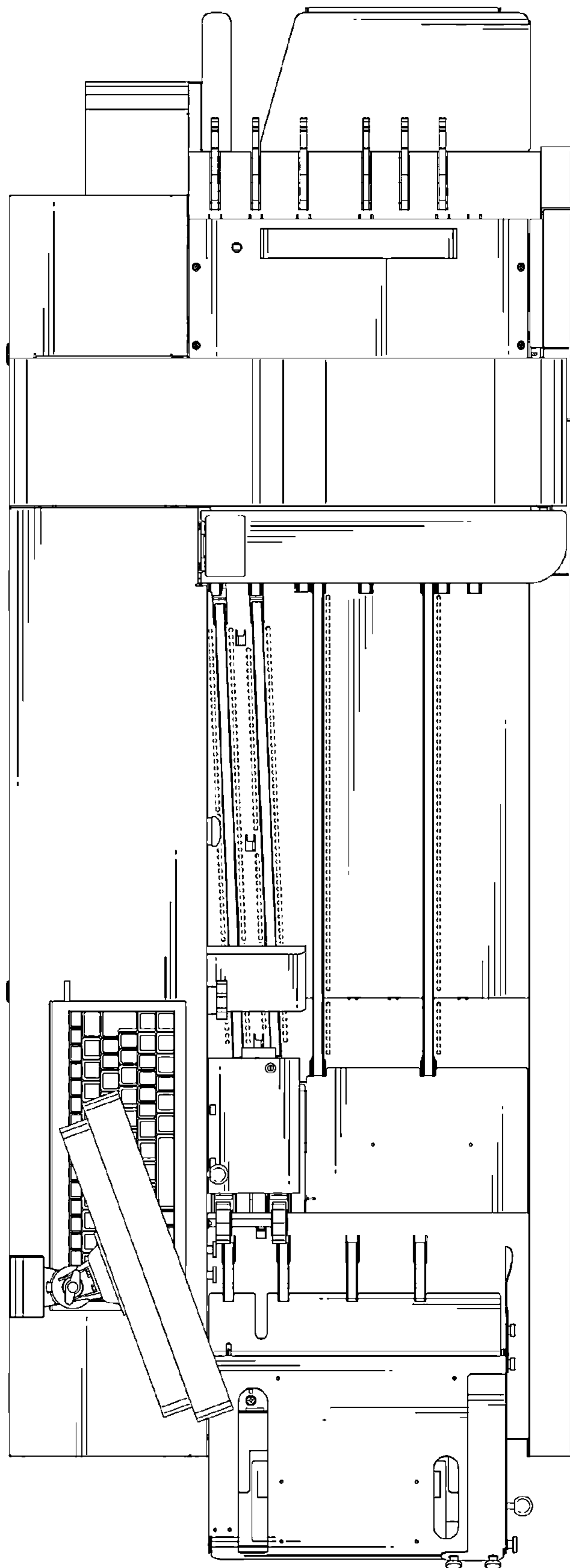


FIG. 3

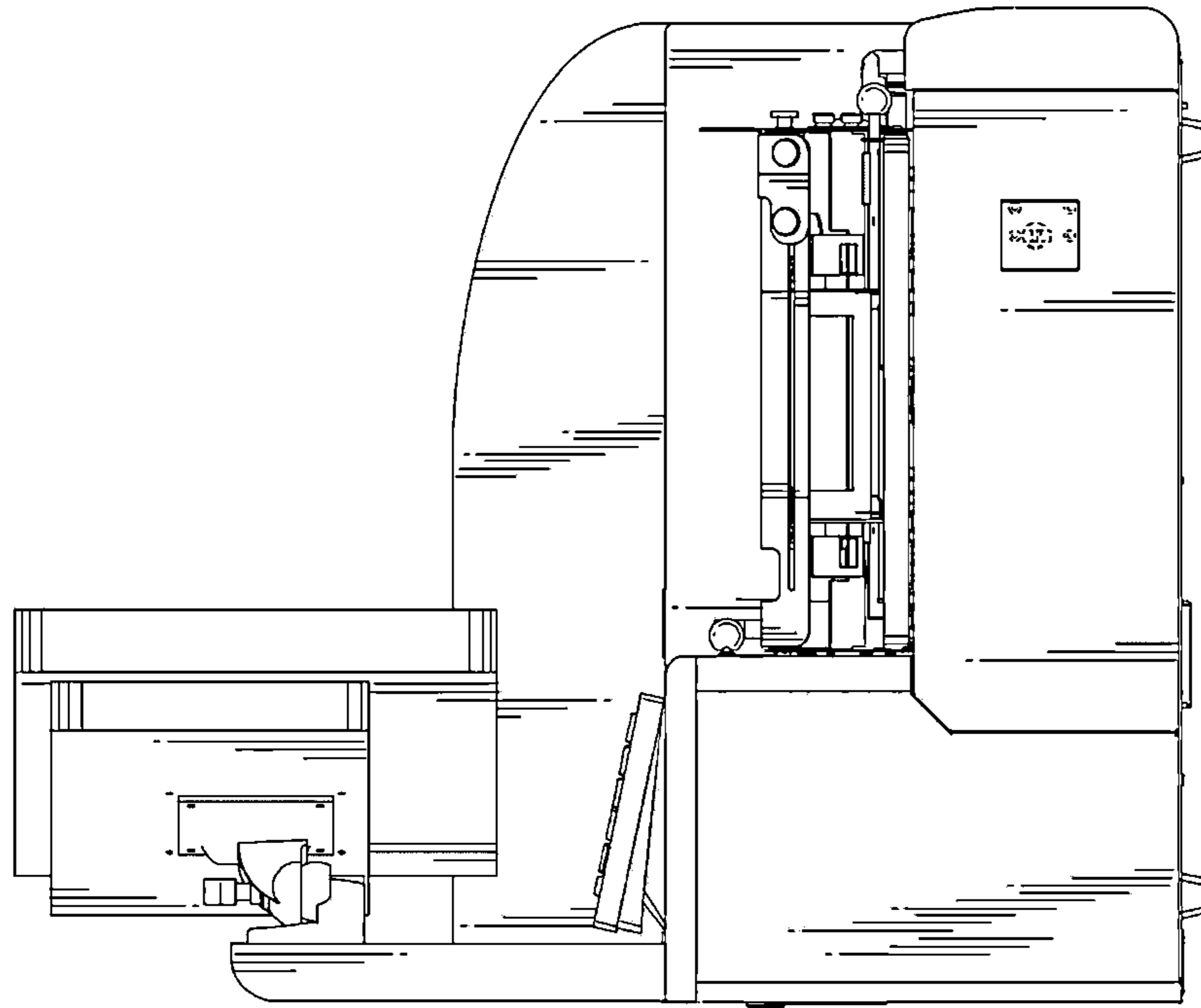


FIG. 4

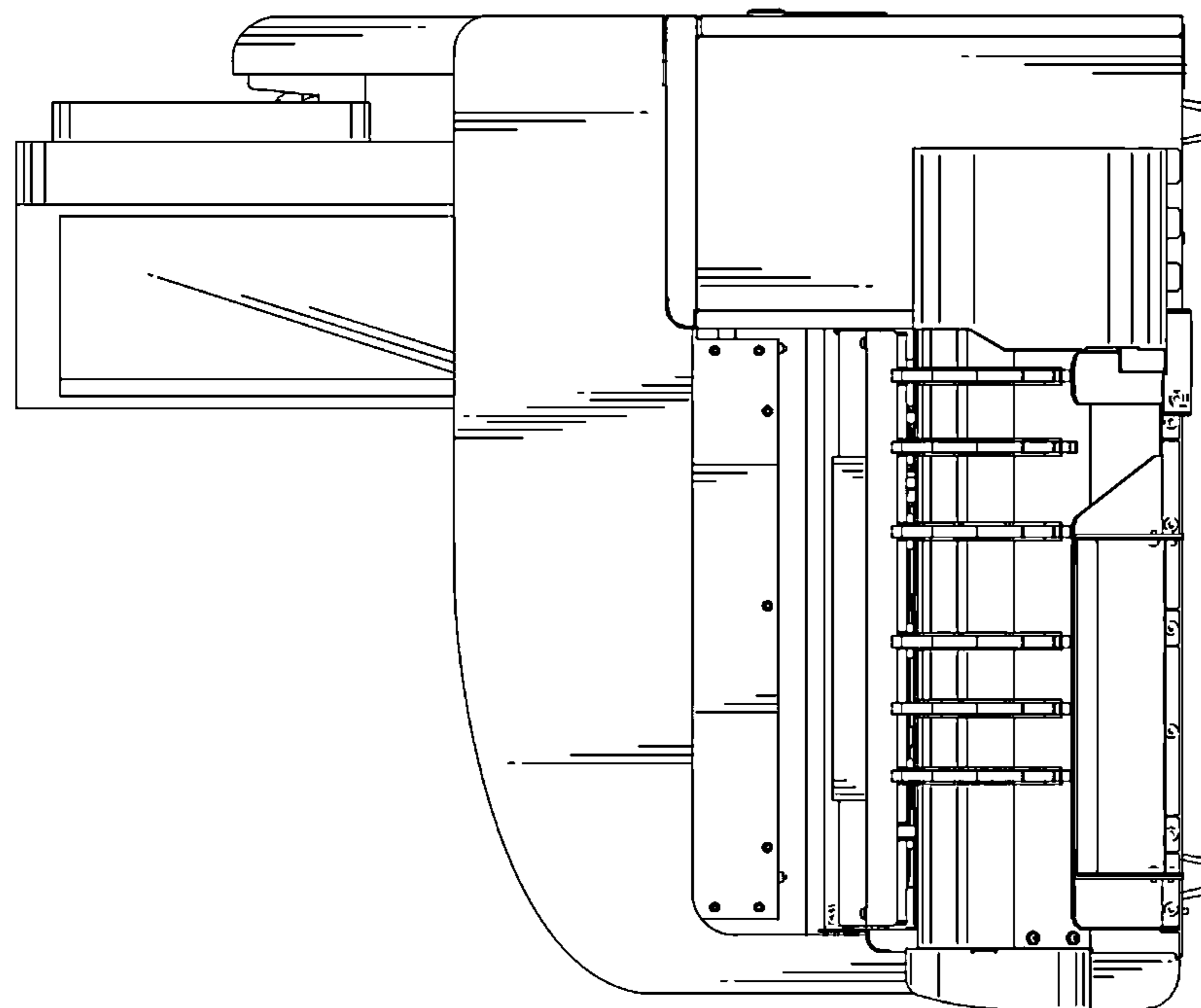


FIG. 5

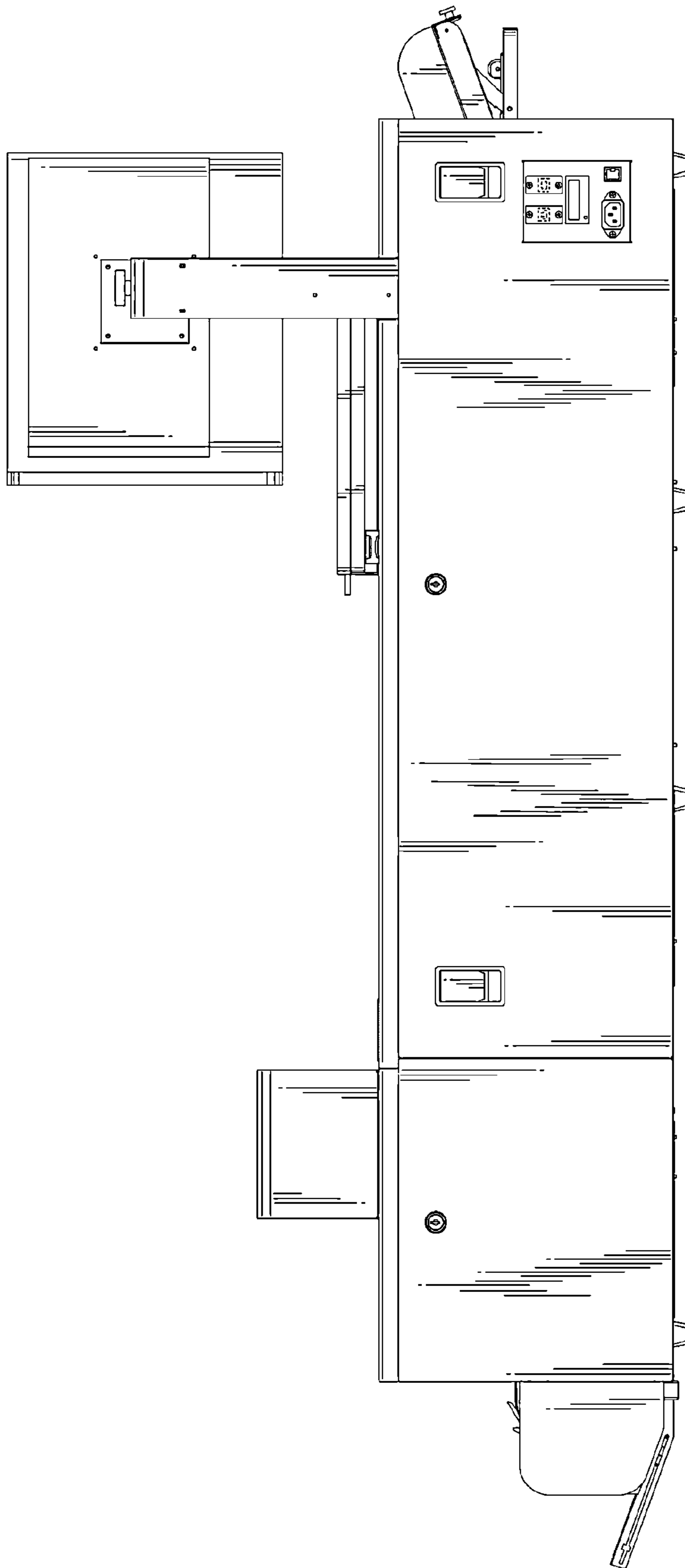


FIG. 6

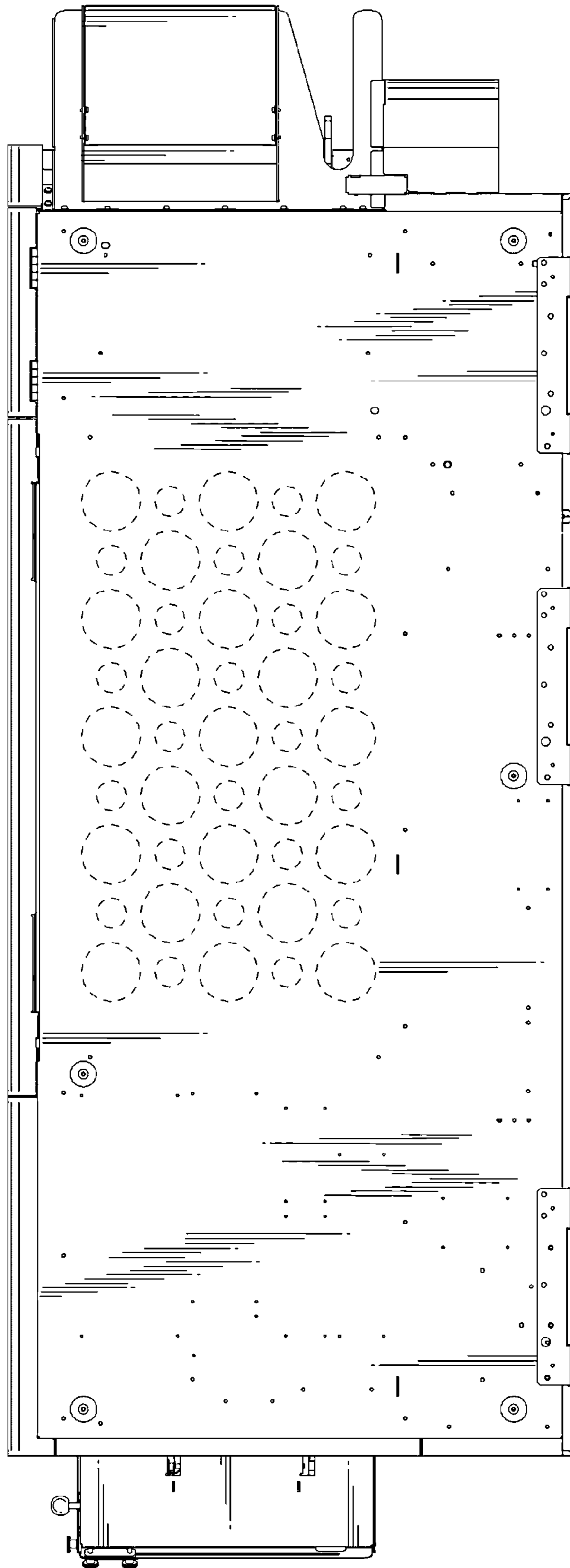


FIG. 7

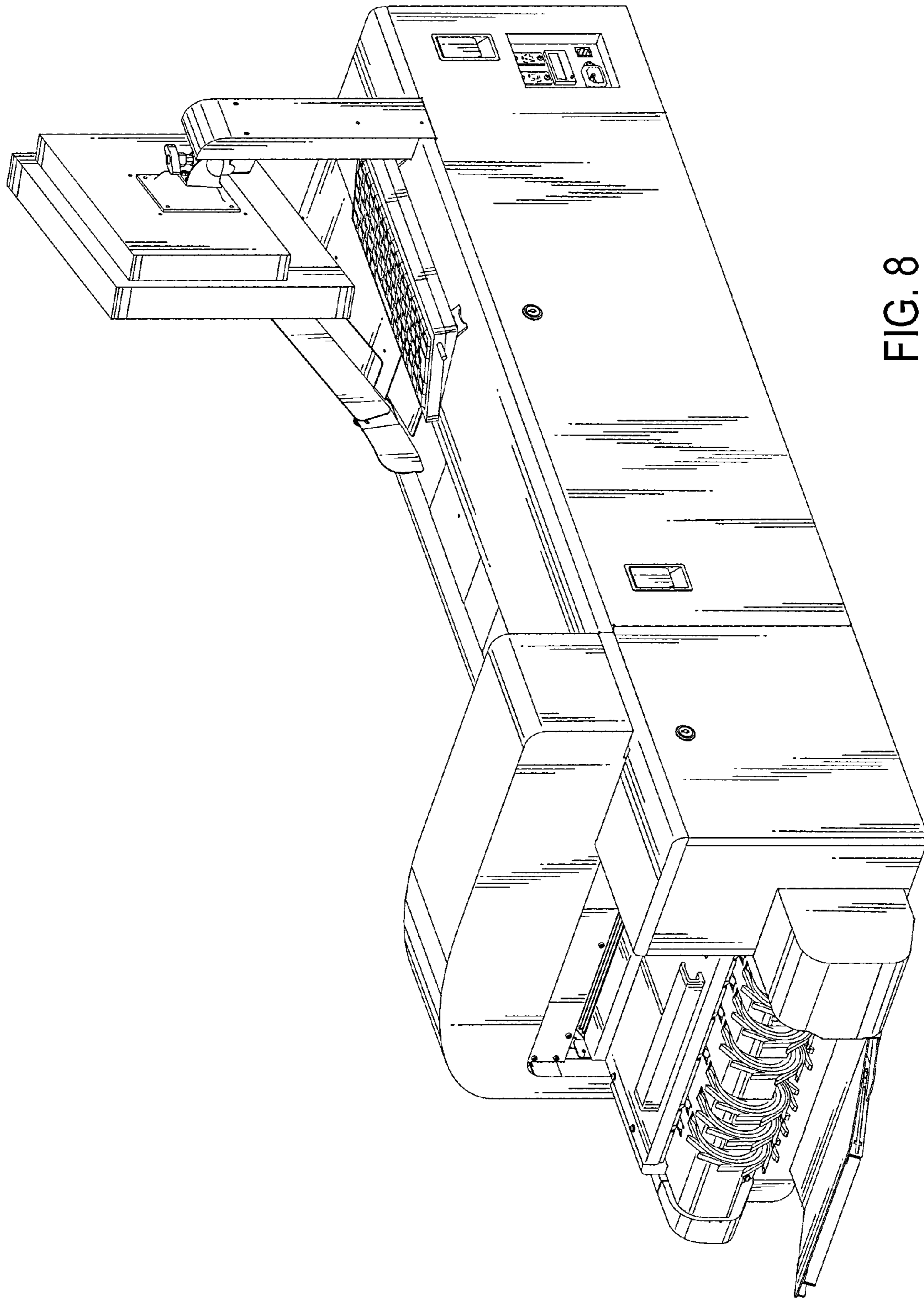


FIG. 8