



US00D680110S

(12) **United States Design Patent**
Rossiter et al.

(10) **Patent No.:** **US D680,110 S**
(45) **Date of Patent:** **** Apr. 16, 2013**

(54) **VIDEO TABLET AND DOCKING STATION**

361/679.55, 679.58, 679.33; 320/109, 112–115;
710/15, 72, 303; 455/557, 575.1; 439/347,
439/534; D19/1

(75) Inventors: **Shane Rossiter**, Marina del Rey, CA
(US); **Timothy P. Clegg**, Manhattan
Beach, CA (US)

See application file for complete search history.

(73) Assignee: **Americhip, Inc.**, Los Angeles, CA (US)

(56) **References Cited**

(**) Term: **14 Years**

U.S. PATENT DOCUMENTS

(21) Appl. No.: **29/420,891**

5,633,782 A * 5/1997 Goodman et al. 361/679.41
D395,292 S 6/1998 Vu
5,899,421 A * 5/1999 Silverman 248/175
5,933,812 A * 8/1999 Meyer et al. 705/15
6,256,193 B1 * 7/2001 Janik et al. 361/679.59

(22) Filed: **May 14, 2012**

(Continued)

Related U.S. Application Data

FOREIGN PATENT DOCUMENTS

(63) Continuation-in-part of application No. 29/409,143,
filed on Dec. 20, 2011, now Pat. No. Des. 659,754,
which is a continuation-in-part of application No.
29/388,716, filed on Mar. 31, 2011, now Pat. No. Des.
655,750, which is a continuation-in-part of application
No. 29/385,684, filed on Feb. 17, 2011, now Pat. No.
Des. 647,559, which is a continuation-in-part of
application No. 29/368,489, filed on Aug. 24, 2010,
now Pat. No. Des. 642,611, which is a
continuation-in-part of application No. 29/363,757,
filed on Jun. 14, 2010, now Pat. No. Des. 629,458,
which is a continuation-in-part of application No.
12/413,343, filed on Mar. 27, 2009, now Pat. No. 8,
011,122, which is a continuation-in-part of application
No. 12/263,277, filed on Oct. 31, 2008, now
abandoned, which is a continuation-in-part of
application No. 12/199,740, filed on Aug. 27, 2008,
now abandoned.

JP 2010-101949 A 5/2010
KR 2009037217 A 10/2007

Primary Examiner — Freda S Nunn

(74) *Attorney, Agent, or Firm* — Jeffer Mangels Butler &
Mitchell LLP

(51) **LOC (9) Cl.** **14-02**

(52) **U.S. Cl.**
USPC **D14/341**; D14/434

(58) **Field of Classification Search** D14/432–434,
D14/314, 204, 420, 421, 447, 217, 358, 138 R,
D14/140, 142, 341–346, 371–374; D13/107,
D13/108, 146; D8/373; 248/346.03, 176.1;
361/679.41, 679.31, 679.32, 679.4, 679.43,

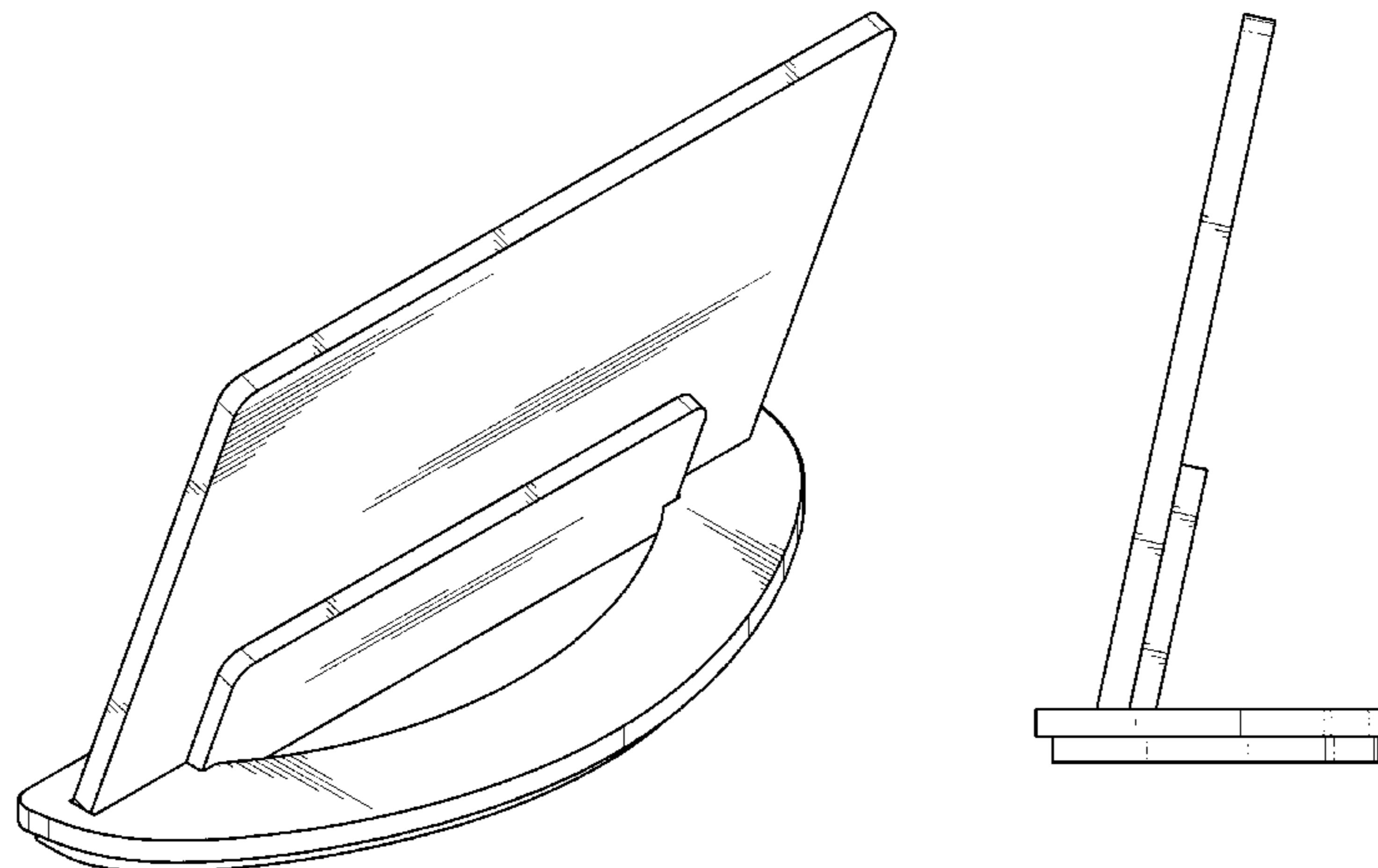
(57) **CLAIM**

The ornamental design for a video tablet and docking station,
as shown and described.

DESCRIPTION

FIG. 1 is a rear perspective view of the of the video tablet and
docking station showing our new design;
FIG. 2 is a front elevational view thereof;
FIG. 3 is a rear elevational view thereof;
FIG. 4 is a right side elevational view thereof;
FIG. 5 is a left side elevational view thereof;
FIG. 6 is a cross-sectional view taken along line 6-6 of FIG. 5;
FIG. 7 is a top plan view thereof; and,
FIG. 8 is a bottom plan view thereof.
The shading shown in the drawings are for illustrative pur-
poses only and form no part of the claimed design.

1 Claim, 8 Drawing Sheets



US D680,110 S

Page 2

| U.S. PATENT DOCUMENTS | | | | | |
|-----------------------|---------|-------------------------------|-------------------|---------|-----------------------------|
| D450,059 S | 11/2001 | Itou | 7,708,240 B2 * | 5/2010 | Homer et al. 248/130 |
| D453,504 S | 2/2002 | Bong et al. | D636,778 S * | 4/2011 | Corsini et al. D14/434 |
| D518,799 S | 4/2006 | Peng | D644,655 S | 9/2011 | McLaughlin et al. |
| D520,013 S * | 5/2006 | Yang D14/434 | D646,298 S | 10/2011 | McLaughlin et al. |
| D524,312 S * | 7/2006 | Young D14/375 | D648,335 S * | 11/2011 | Shiono D14/374 |
| 7,200,702 B2 * | 4/2007 | Keely et al. 710/303 | 2002/0016967 A1 | 2/2002 | Carlile |
| 7,209,124 B2 | 4/2007 | Hunt et al. | 2002/0065719 A1 | 5/2002 | Yamaguchi |
| D545,280 S | 6/2007 | Imboden | 2003/0122864 A1 | 7/2003 | Jenne et al. |
| 7,298,613 B2 * | 11/2007 | Yin et al. 361/679.41 | 2003/0135390 A1 | 7/2003 | O'Brien et al. |
| D564,470 S | 3/2008 | Chiu | 2004/0025185 A1 | 2/2004 | Goci et al. |
| D564,989 S | 3/2008 | Kita | 2004/0230725 A1 | 11/2004 | Chen et al. |
| 7,359,624 B2 | 4/2008 | Adams et al. | 2006/0224696 A1 | 10/2006 | King et al. |
| D578,973 S | 10/2008 | Chiu | 2006/0250767 A1 * | 11/2006 | Brophy et al. 361/686 |
| 7,515,408 B2 * | 4/2009 | Bakker et al. 361/679.33 | 2010/0262435 A1 | 10/2010 | Smith et al. |
| D600,244 S | 9/2009 | Chiu | 2010/0287001 A1 | 11/2010 | Pearce et al. |
| D608,746 S | 1/2010 | Tu | 2011/0016427 A1 | 1/2011 | Douen |
| D610,562 S | 2/2010 | Chien | 2012/0021808 A1 | 1/2012 | Tseng |

* cited by examiner

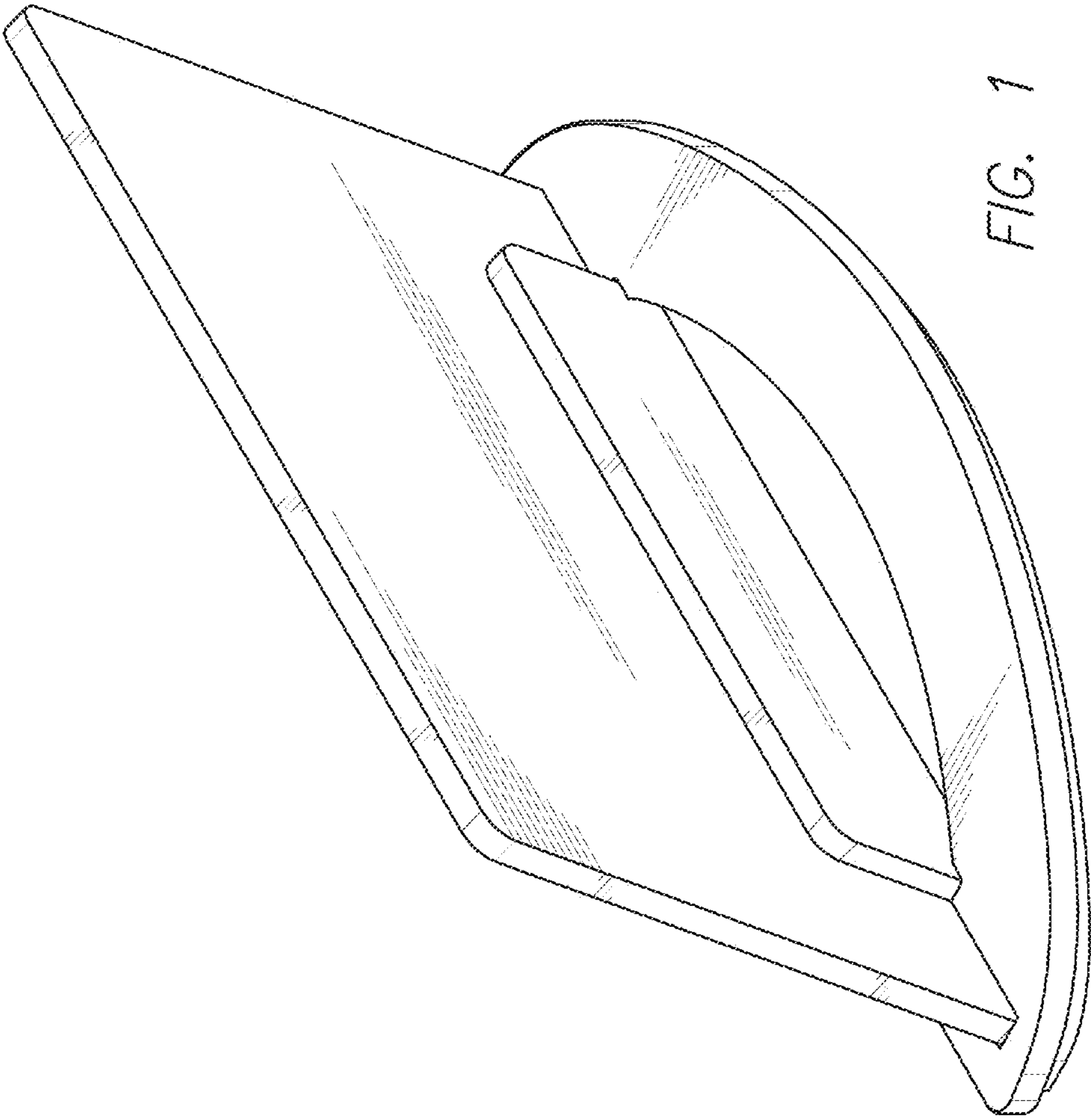


FIG. 1

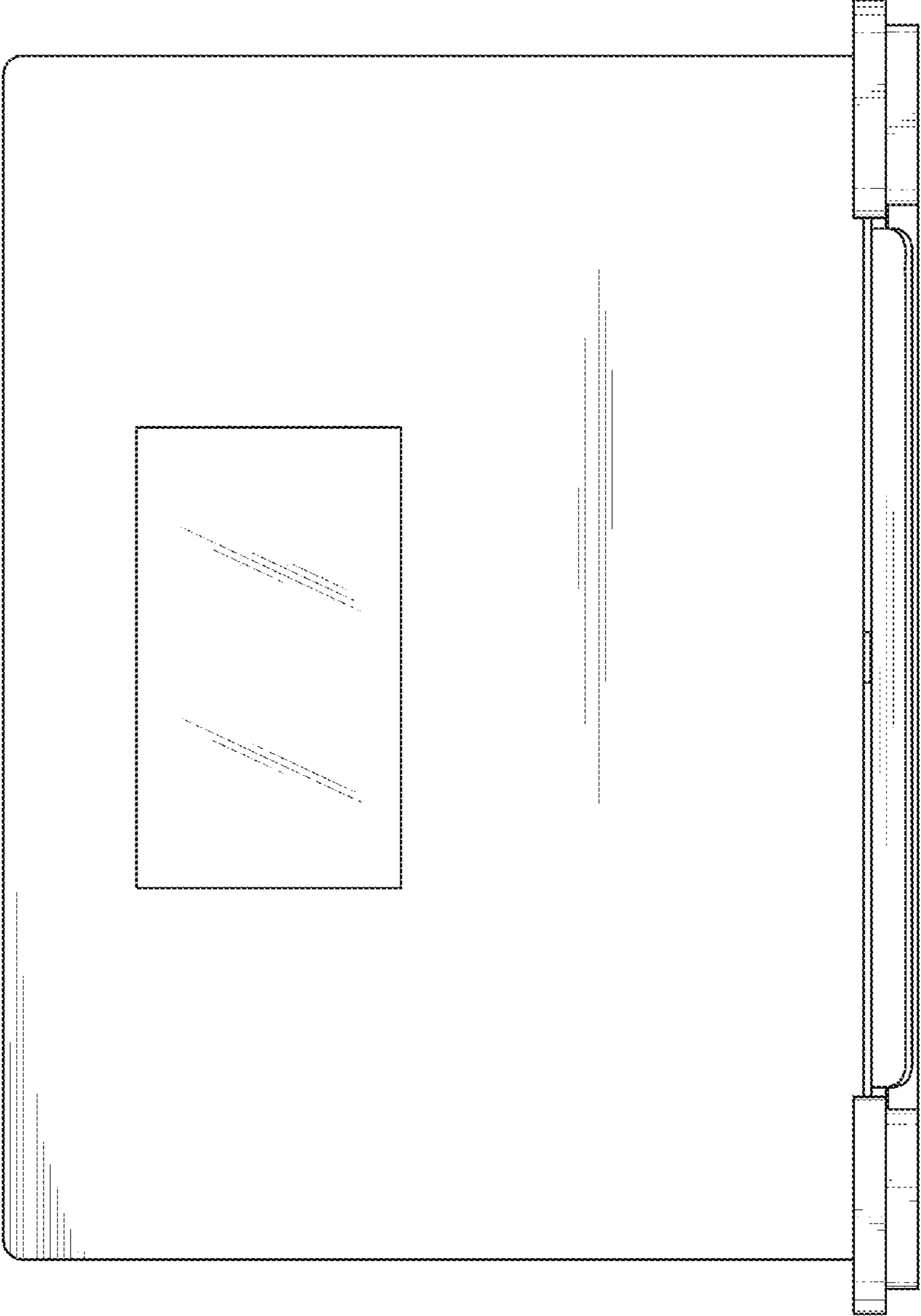


FIG. 2

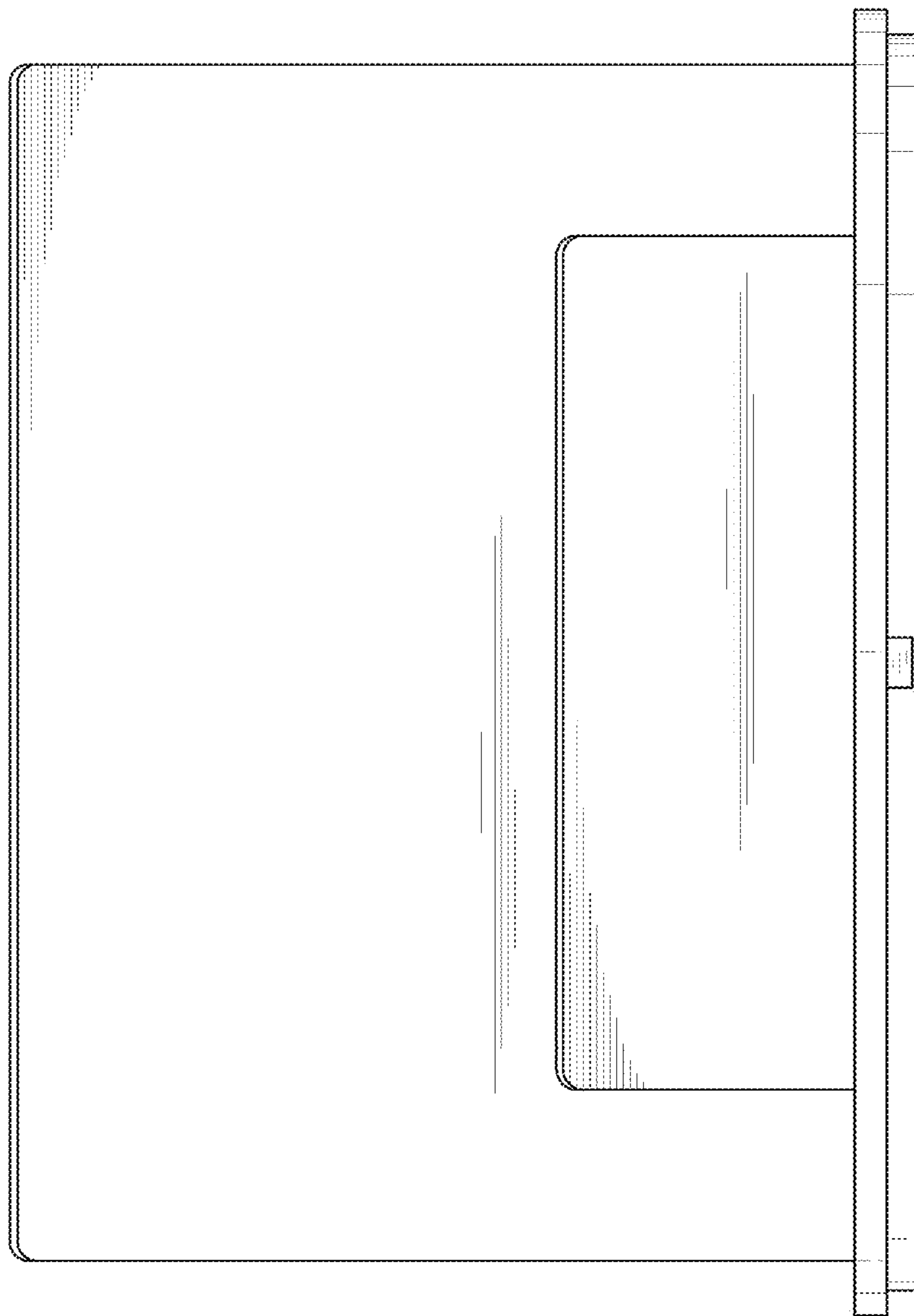


FIG. 3

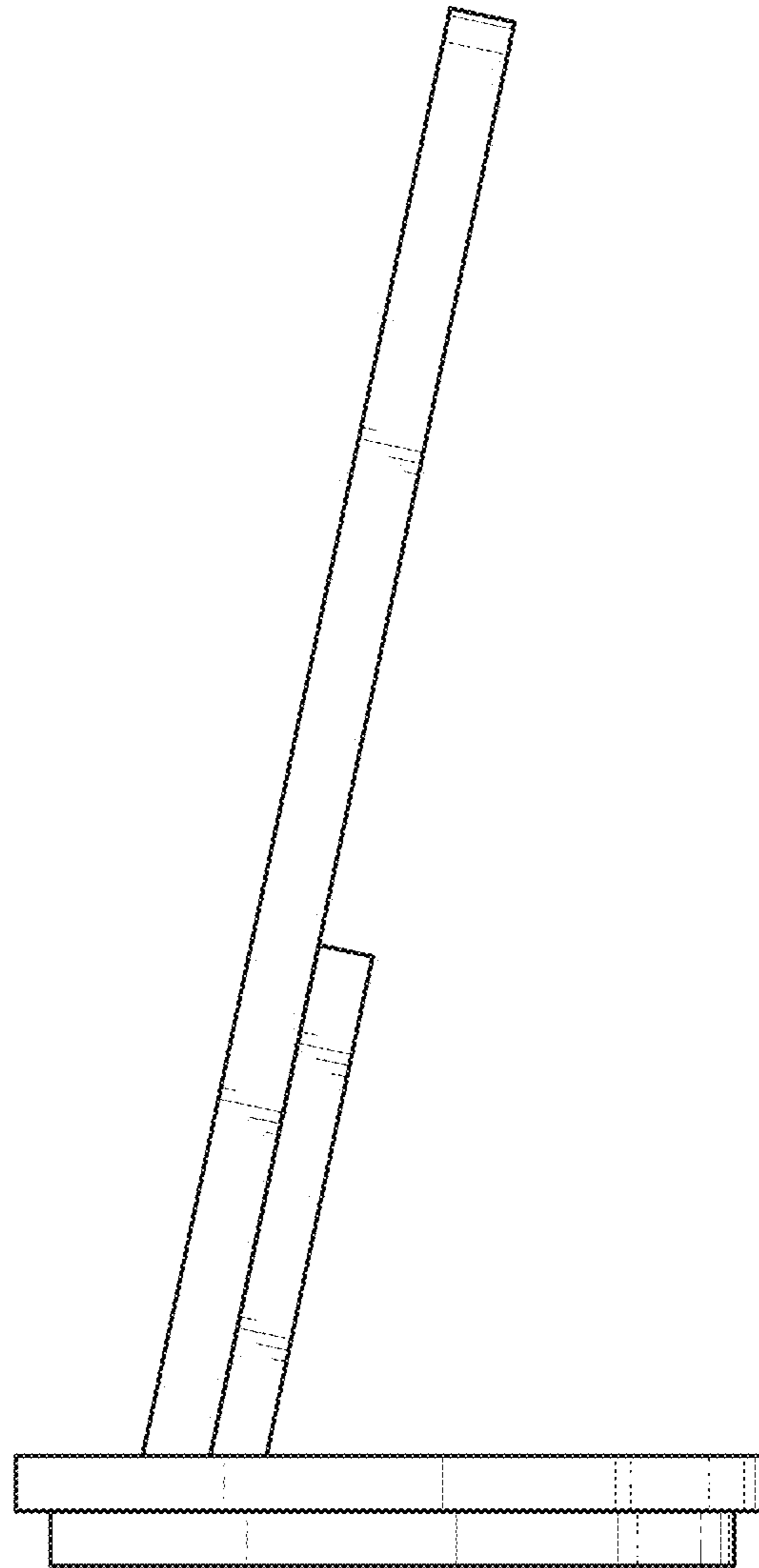


FIG. 4

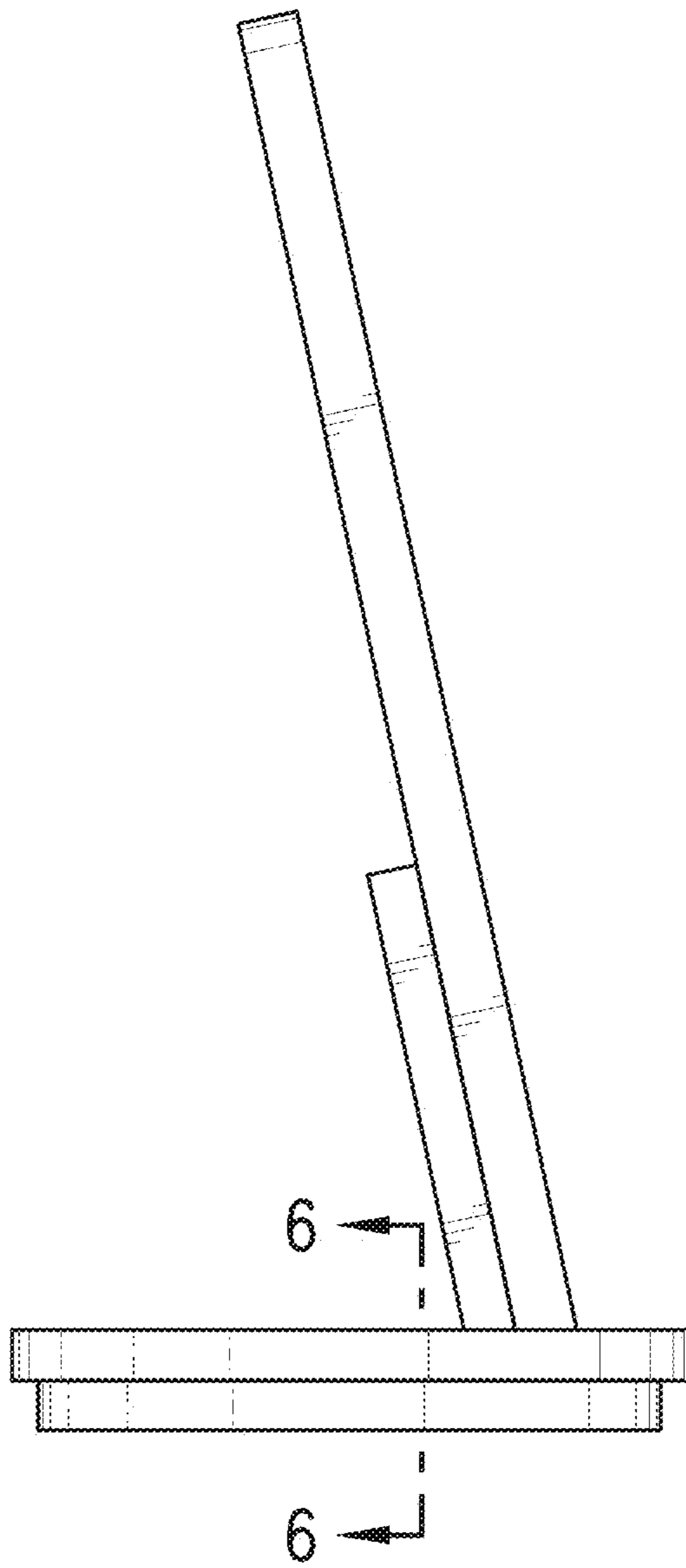


FIG. 5

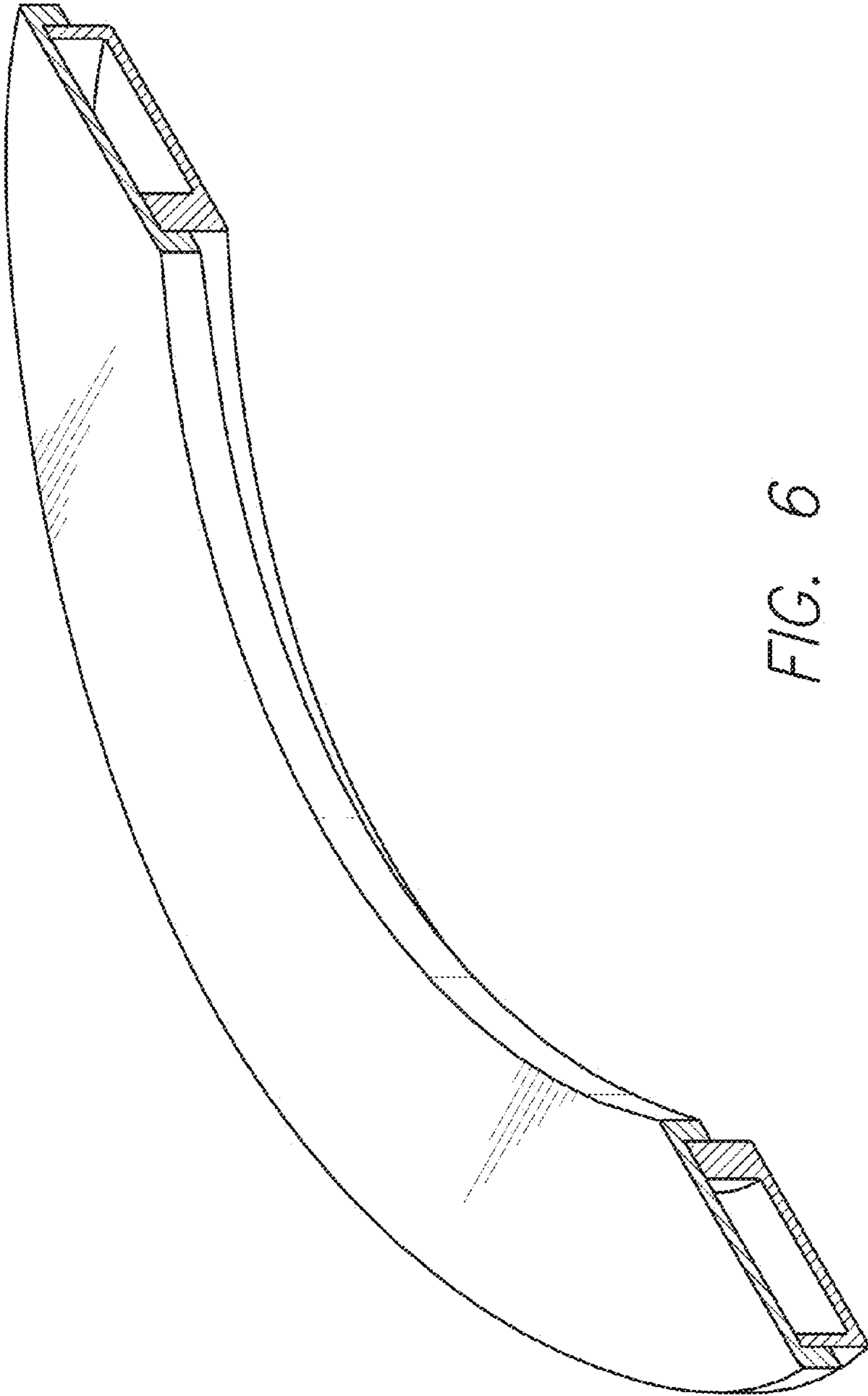


FIG. 6

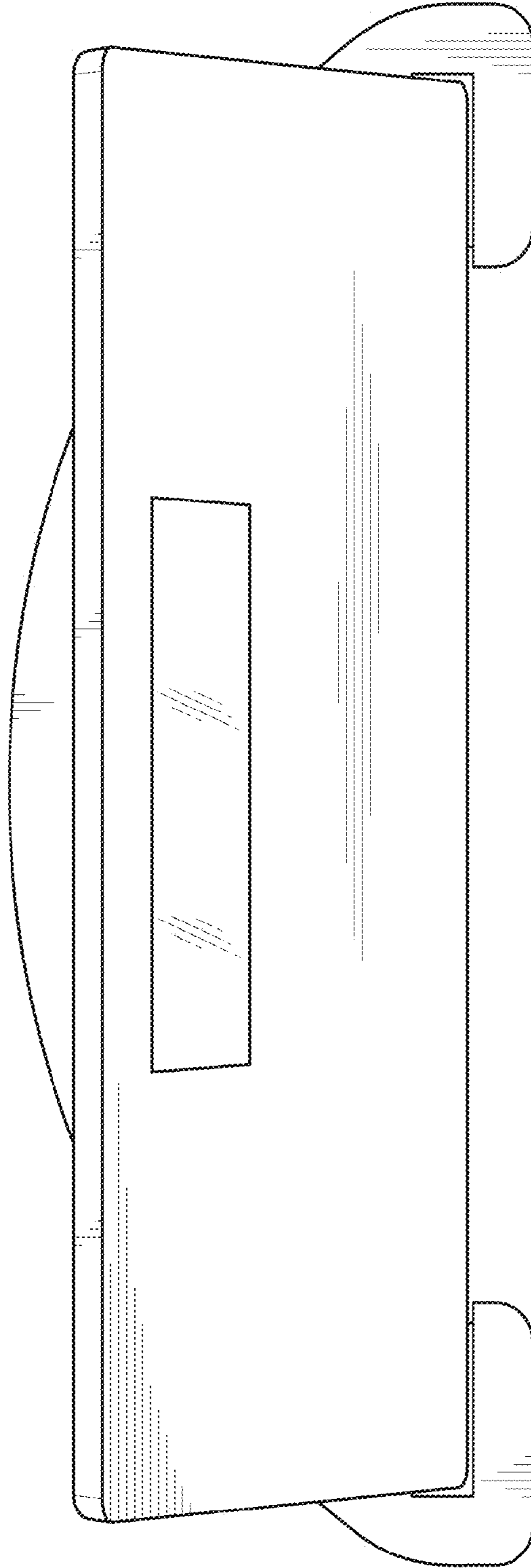


FIG. 7

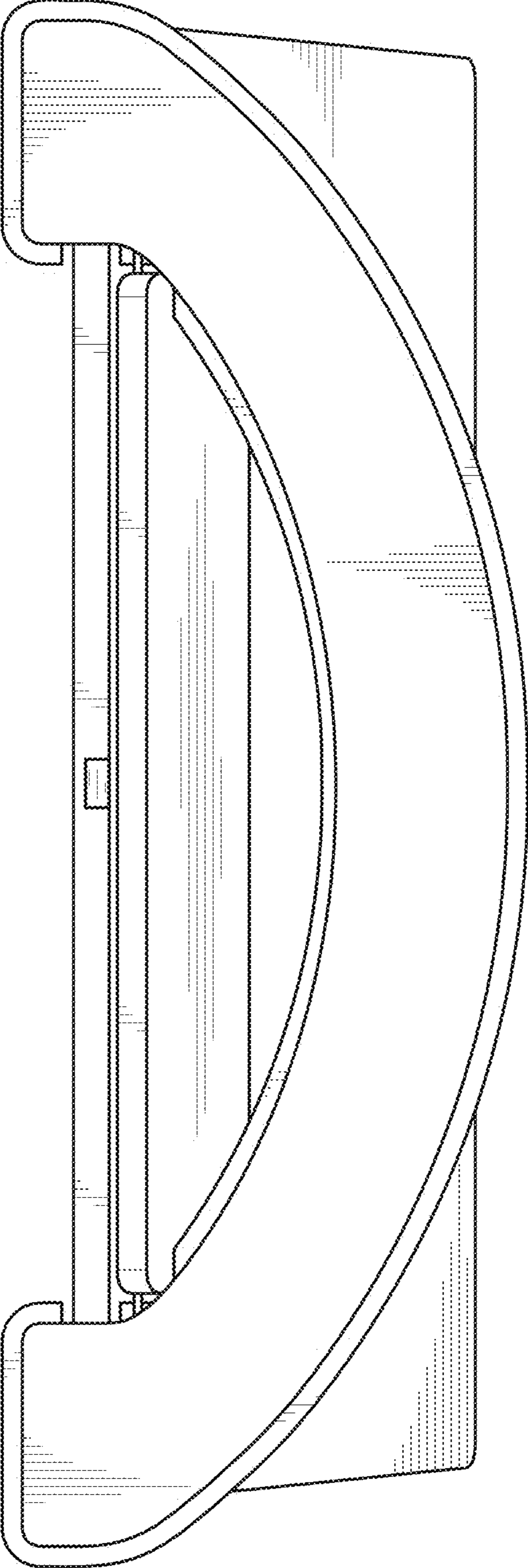


FIG. 8