



US00D680106S

(12) **United States Design Patent**  
**Hwangbo et al.**

(10) **Patent No.:** **US D680,106 S**  
(45) **Date of Patent:** **\*\* Apr. 16, 2013**

(54) **STAND FOR TELEVISION RECEIVER**

(75) Inventors: **Deung Hwangbo**, Seoul (KR); **Minji Seo**, Gyeonggi-do (KR); **Junki Kim**, Seoul (KR); **Youngkyoung Kim**, Seoul (KR); **Misun Park**, Seoul (KR)

(73) Assignee: **LG Electronics Inc.**, Seoul (KR)

(\*\*) Term: **14 Years**

(21) Appl. No.: **29/412,231**

(22) Filed: **Feb. 1, 2012**

(30) **Foreign Application Priority Data**

Aug. 3, 2011 (KR) ..... 30-2011-0032423

(51) **LOC (9) Cl.** ..... **14-03**

(52) **U.S. Cl.**  
USPC ..... **D14/239**

(58) **Field of Classification Search** ..... D14/125-134,  
D14/239, 371, 136, 374-377, 440, 450, 448,  
D14/336, 342; 312/7.2; 348/836, 838, 180,  
348/184, 325, 739; 341/12; 248/917-924,  
248/465; 345/104, 133, 156, 168, 87, 173;  
720/605, 669, 600, 655; 369/99, 197; 455/344,  
455/347; D21/329, 515, 577, 622, 333, 433,  
D21/448, 452, 450, 331; D6/477, 479, 300;  
273/148 B; 446/484, 175, 356; D10/15,  
D10/26

See application file for complete search history.

(56) **References Cited**

U.S. PATENT DOCUMENTS

D474,047	S	*	5/2003	Lara	.....	D6/479
D533,169	S	*	12/2006	Lee et al.	.....	D14/239
D620,903	S	*	8/2010	Song et al.	.....	D14/126
D643,389	S	*	8/2011	Lee et al.	.....	D14/126
8,000,092	B2	*	8/2011	Kim	.....	361/679.21
D656,115	S	*	3/2012	Kim et al.	.....	D14/126
D656,471	S	*	3/2012	Han et al.	.....	D14/126
D656,913	S	*	4/2012	Ann et al.	.....	D14/126
D664,940	S	*	8/2012	Kim et al.	.....	D14/126

\* cited by examiner

*Primary Examiner* — Raphael Barkai

*Assistant Examiner* — Randall Gholson

(74) *Attorney, Agent, or Firm* — Birch, Stewart, Kolasch & Birch, LLP

(57) **CLAIM**

The ornamental design for a stand for television receiver, as shown and described.

**DESCRIPTION**

FIG. 1 is a perspective view of a stand for television receiver showing our new design;  
FIG. 2 is a front view thereof;  
FIG. 3 is a rear view thereof;  
FIG. 4 is a left side view thereof where the right side view is a mirror image;  
FIG. 5 is a top plan view thereof;  
FIG. 6 is a bottom plan view thereof; and,  
FIG. 7 is a rear perspective view showing an example of the usage of the subject design in which the present design is used together with a television receiver.  
The broken lines showing a television is included for the purpose of illustrating the design in use and forms no part of the claimed design.

**1 Claim, 5 Drawing Sheets**

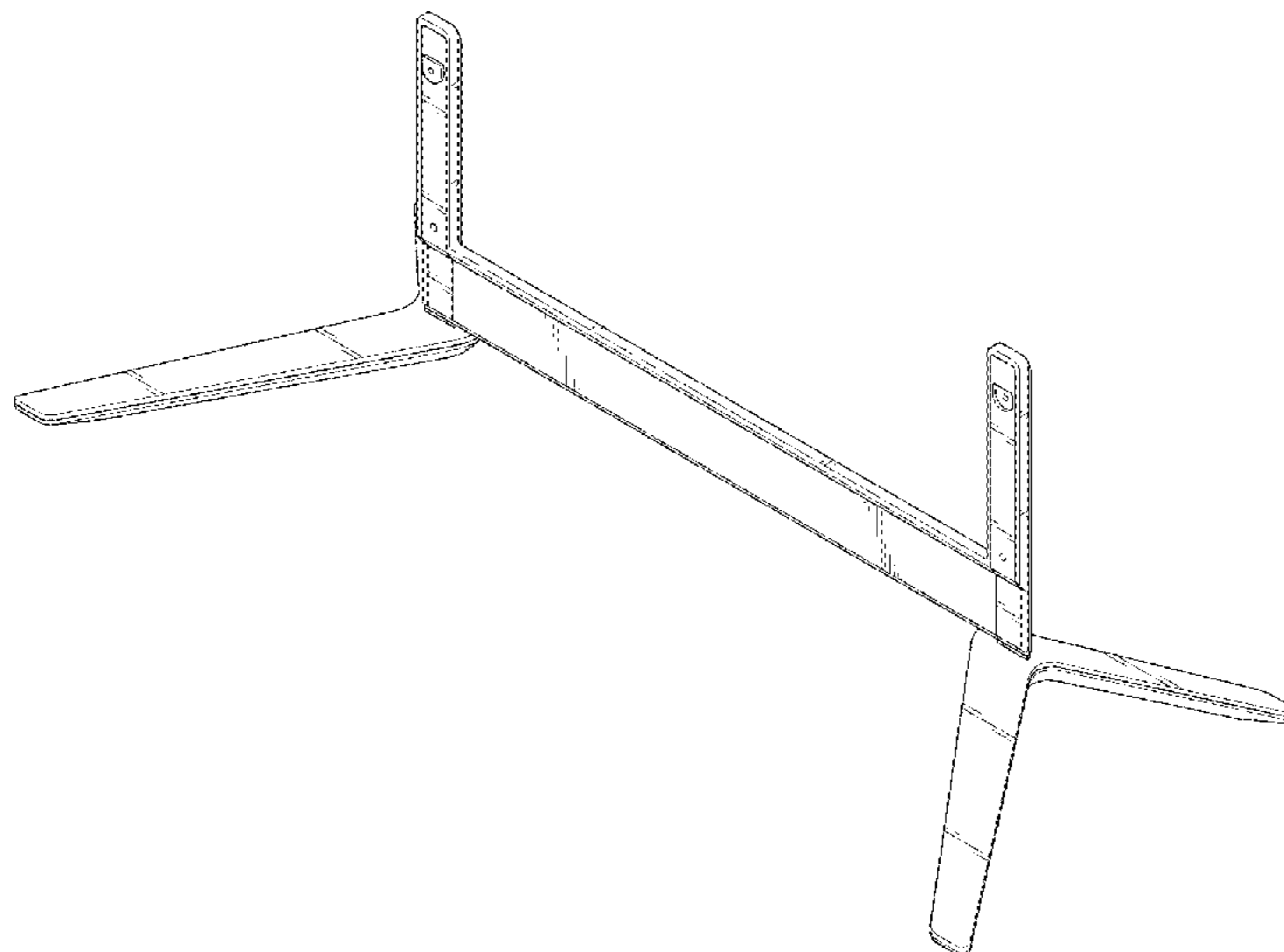


FIG. 1

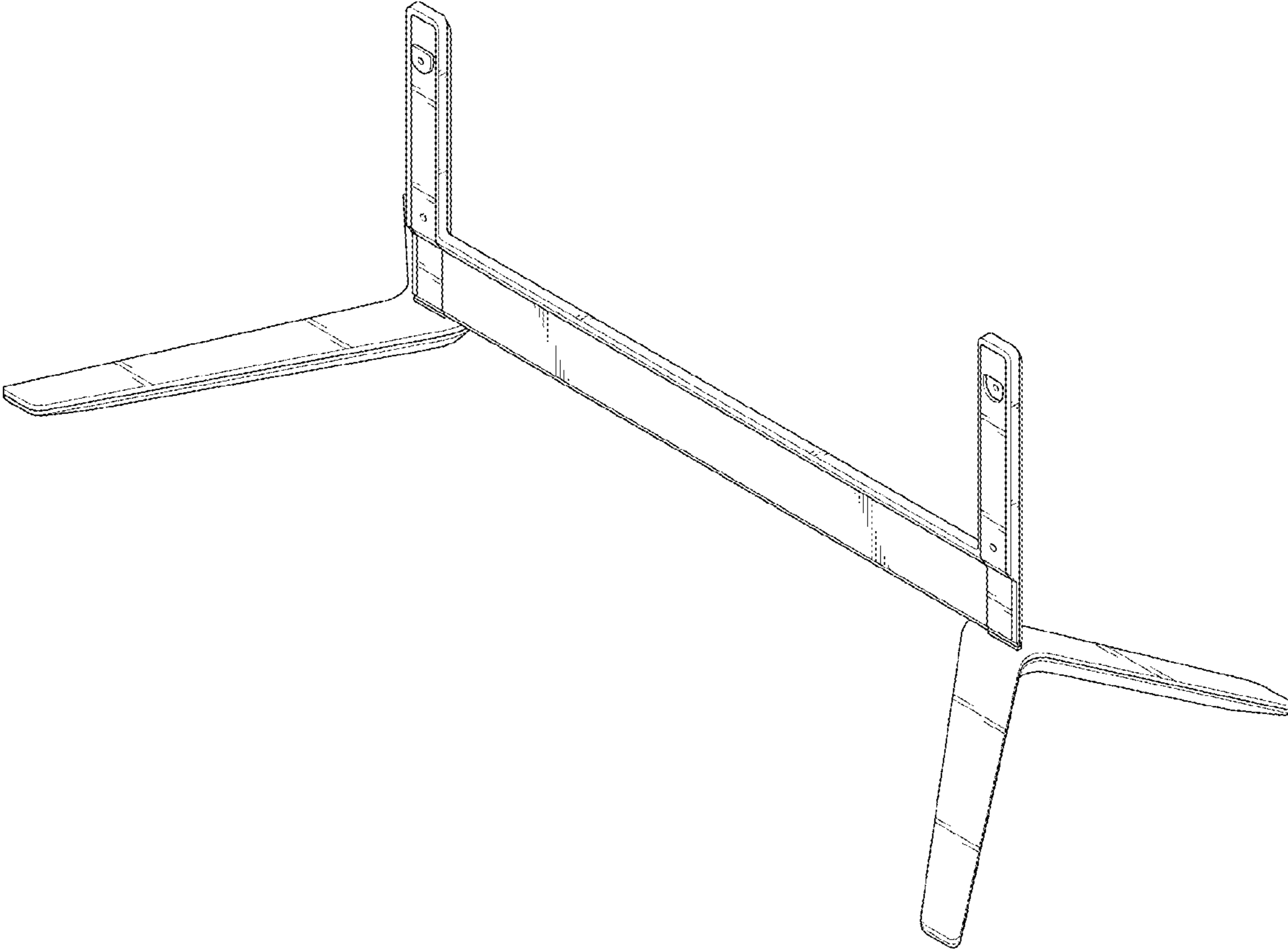


FIG. 2

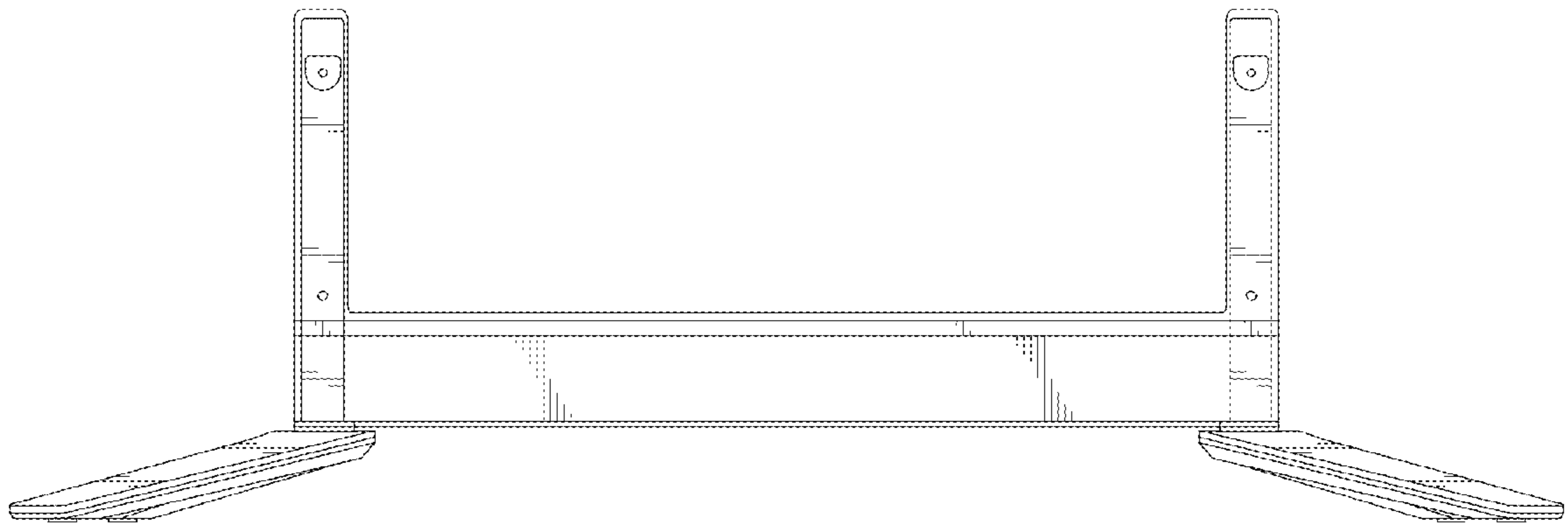


FIG. 3

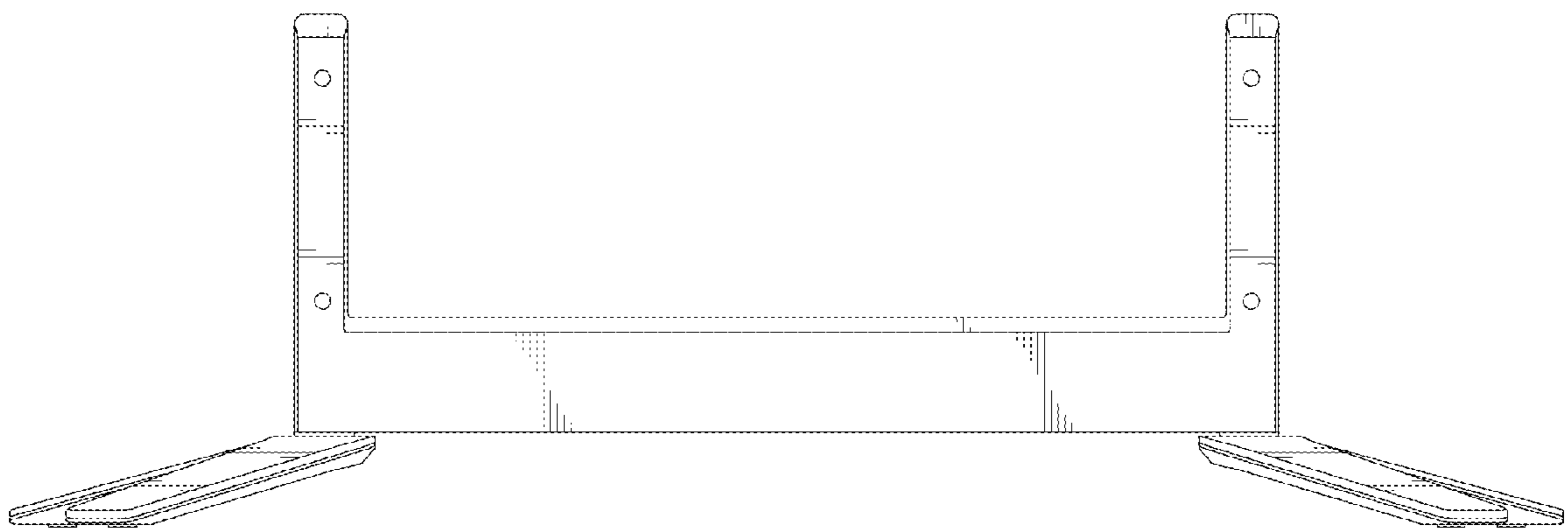


FIG. 4

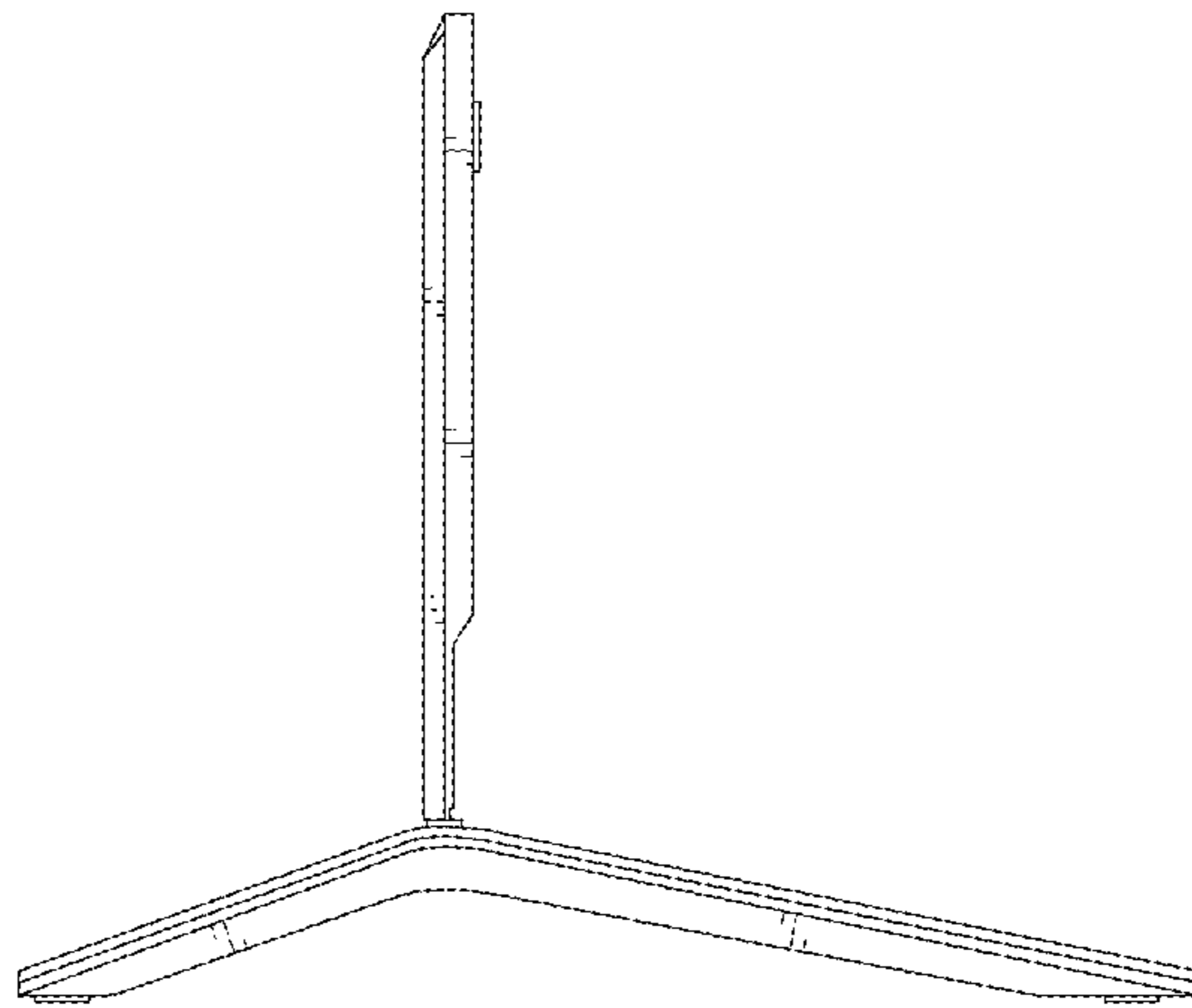


FIG. 5

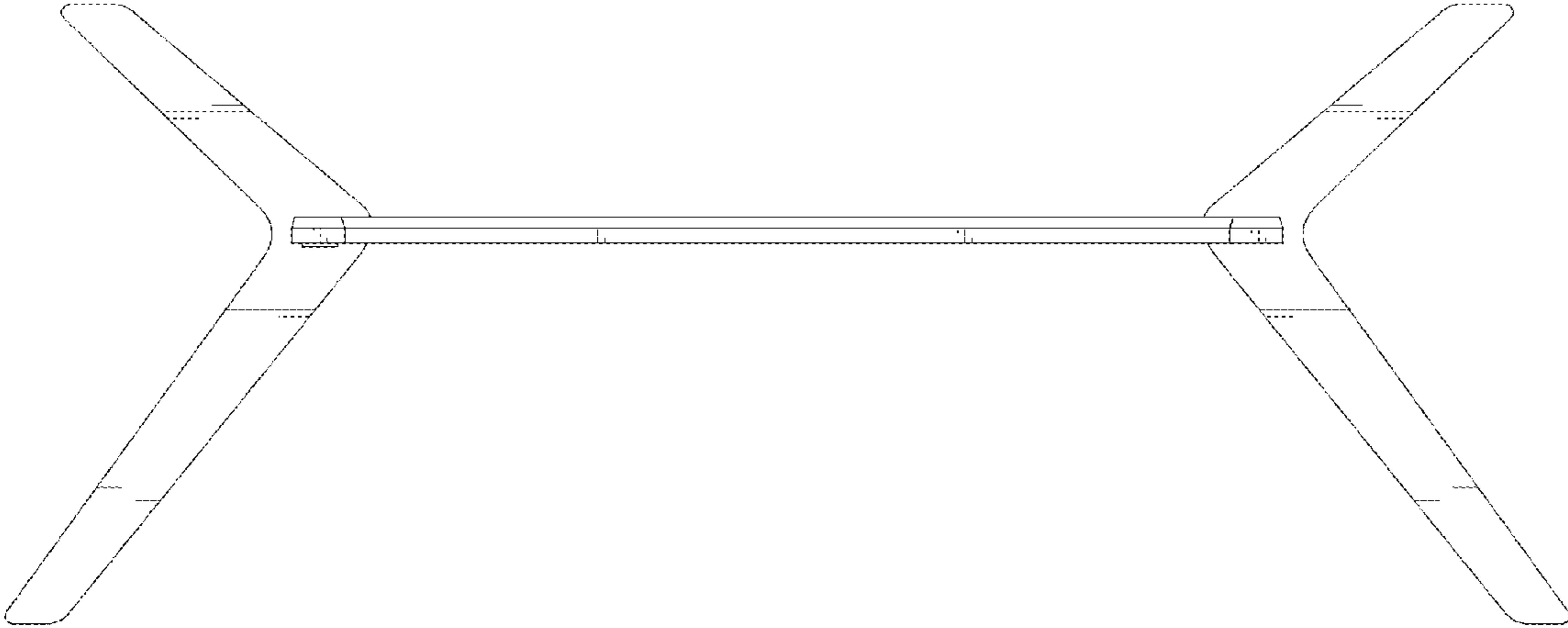


FIG. 6

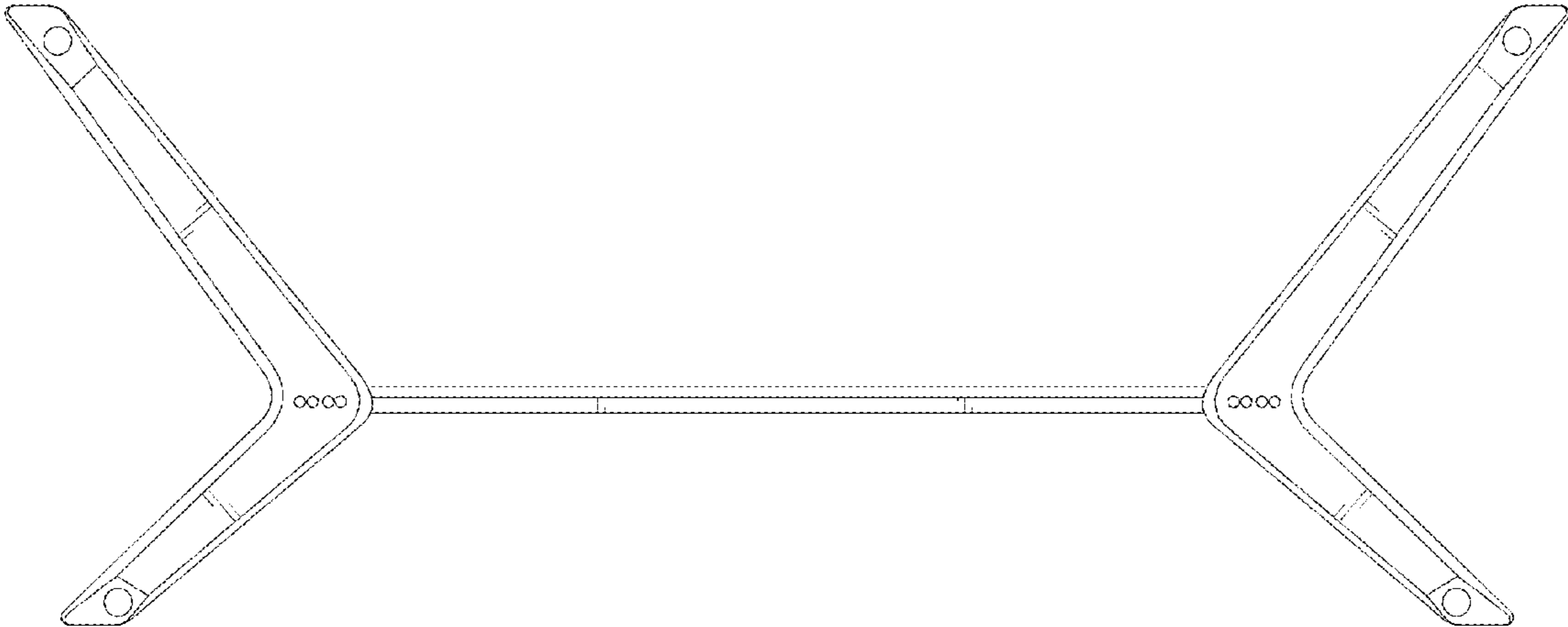


FIG. 7

