



US00D680102S

(12) **United States Design Patent**  
**Chen**

(10) **Patent No.:** **US D680,102 S**  
(45) **Date of Patent:** **\*\* Apr. 16, 2013**

(54) **EARPHONE**

(75) Inventor: **Hwang-Miaw Chen**, New Taipei (TW)

(73) Assignee: **Hon Hai Precision Industry Co., Ltd.**,  
New Taipei (TW)

(\*\*) Term: **14 Years**

(21) Appl. No.: **29/420,199**

(22) Filed: **May 7, 2012**

(51) **LOC (9) Cl.** ..... **14-01**

(52) **U.S. Cl.**  
USPC ..... **D14/223**

(58) **Field of Classification Search** ..... D14/205,  
D14/206, 223; 181/129, 130, 135; 379/430,  
379/431, 420.03, 432; 381/380, 381; 455/90.3,  
455/575.1

See application file for complete search history.

(56) **References Cited**

**U.S. PATENT DOCUMENTS**

4,588,867	A *	5/1986	Konomi	.....	379/430
5,373,555	A *	12/1994	Norris et al.	.....	379/430
5,410,608	A *	4/1995	Lucey et al.	.....	381/360
6,574,345	B1 *	6/2003	Huang	.....	381/380
D554,627	S *	11/2007	Gondo	.....	D14/223
D567,217	S *	4/2008	Kamo et al.	.....	D14/205
D572,703	S *	7/2008	Ledbetter et al.	.....	D14/205
D573,978	S *	7/2008	Ledbetter et al.	.....	D14/205

D576,154	S *	9/2008	Ledbetter et al.	.....	D14/223
D587,681	S *	3/2009	Yanai	.....	D14/205
D593,997	S *	6/2009	Mauritzsson	.....	D14/223
D594,441	S *	6/2009	Lee et al.	.....	D14/205
D598,894	S *	8/2009	Masuda et al.	.....	D14/205
D599,778	S *	9/2009	Ando	.....	D14/205
D605,182	S *	12/2009	Fagnot	.....	D14/223
D611,934	S *	3/2010	Schaefer	.....	D14/223
D627,764	S *	11/2010	Tsai et al.	.....	D14/223
D637,181	S *	5/2011	Fuller et al.	.....	D14/223
D666,966	S *	9/2012	Chauvin et al.	.....	D12/579
D671,531	S *	11/2012	Kim	.....	D14/223

\* cited by examiner

*Primary Examiner* — Paula Greene

(74) *Attorney, Agent, or Firm* — Altis Law Group, Inc.

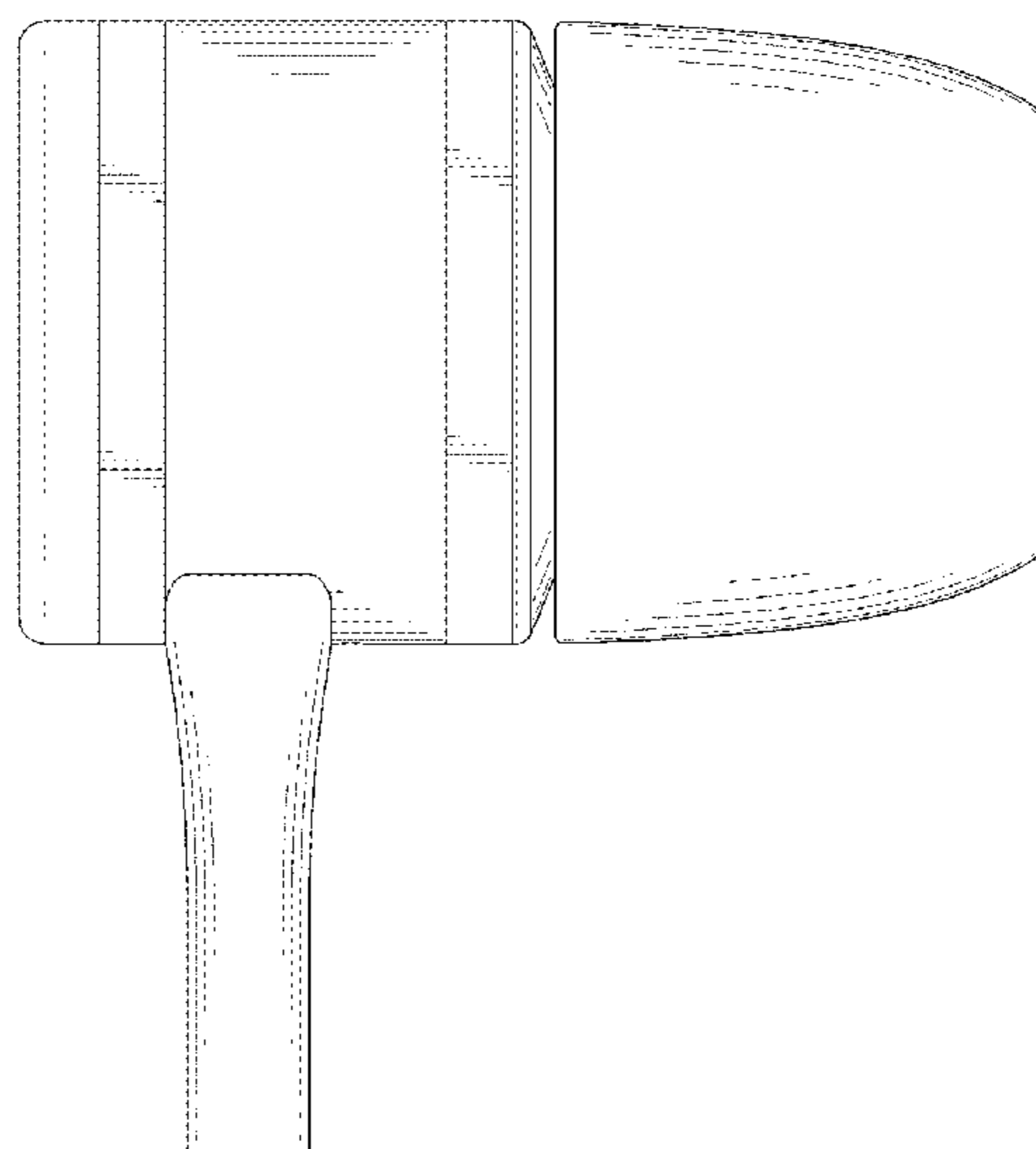
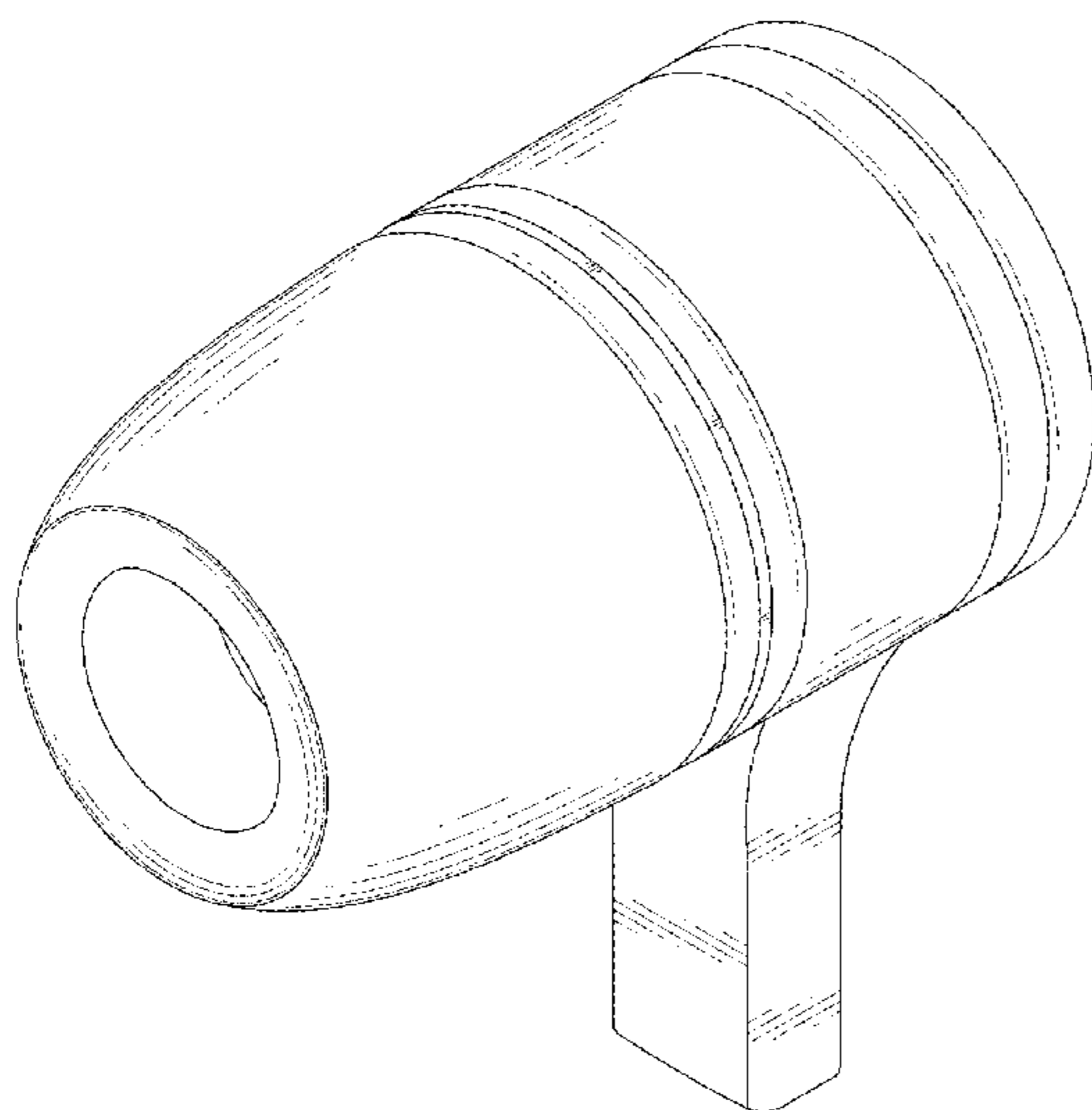
(57) **CLAIM**

The ornamental design for an earphone, as shown and described.

**DESCRIPTION**

FIG. 1 is a perspective view of an earphone of my new design; FIG. 2 is a front elevational view thereof; FIG. 3 is a rear elevational view thereof; FIG. 4 is a left side elevational view thereof; FIG. 5 is a right side elevational view thereof; FIG. 6 is a top plan view thereof; and, FIG. 7 is a bottom plan view thereof. The broken lines form no part of the claimed design.

**1 Claim, 7 Drawing Sheets**



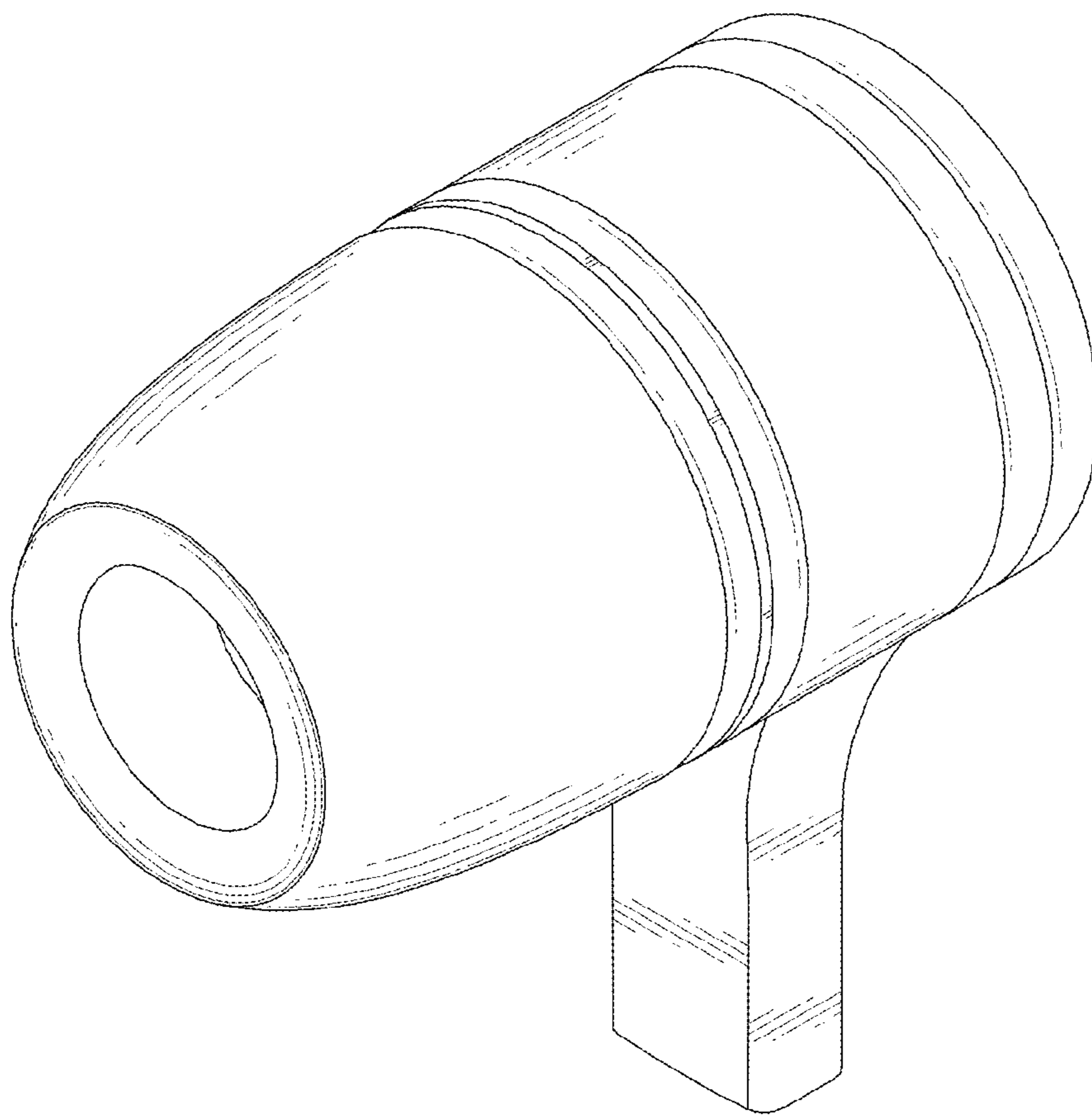


FIG. 1

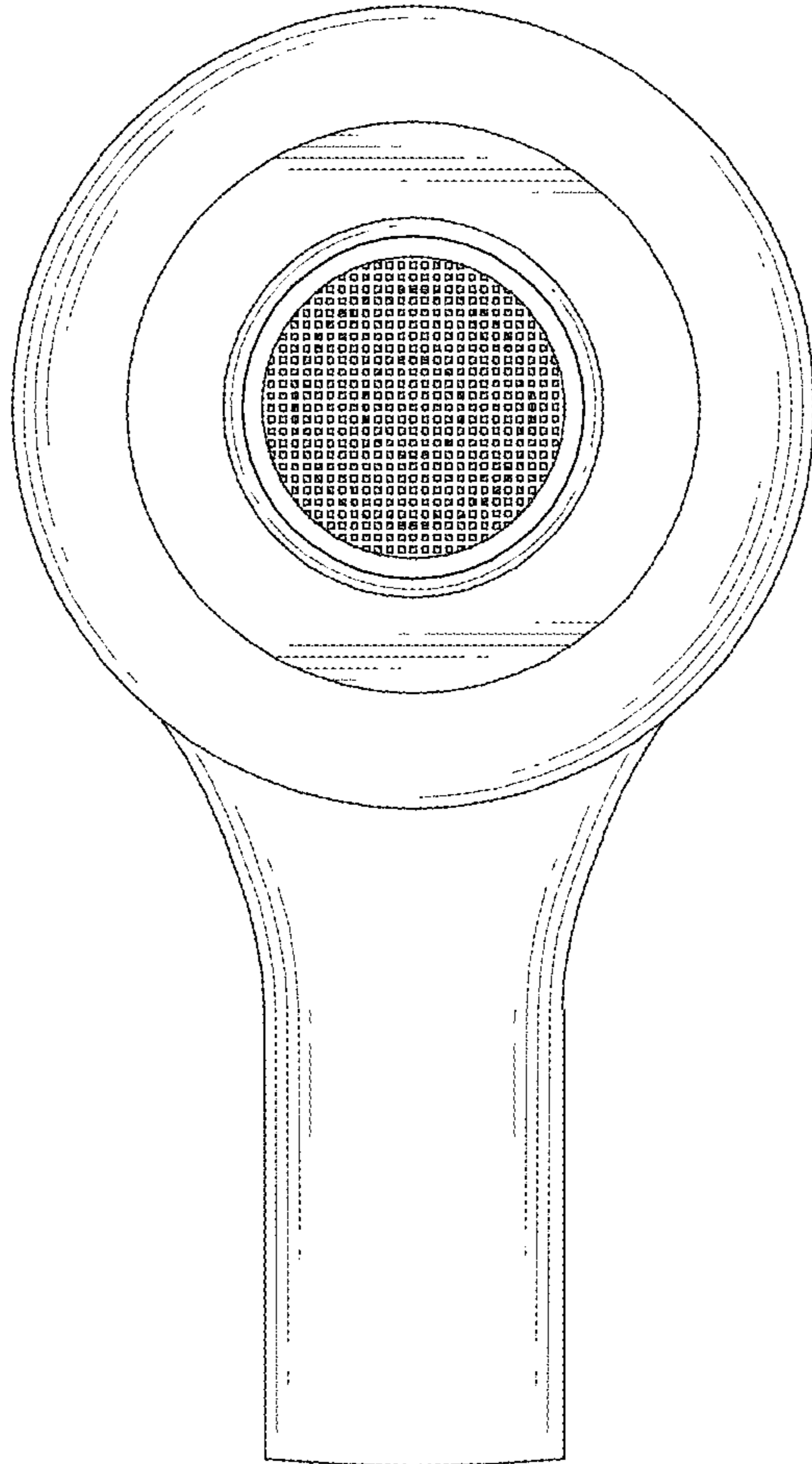


FIG. 2

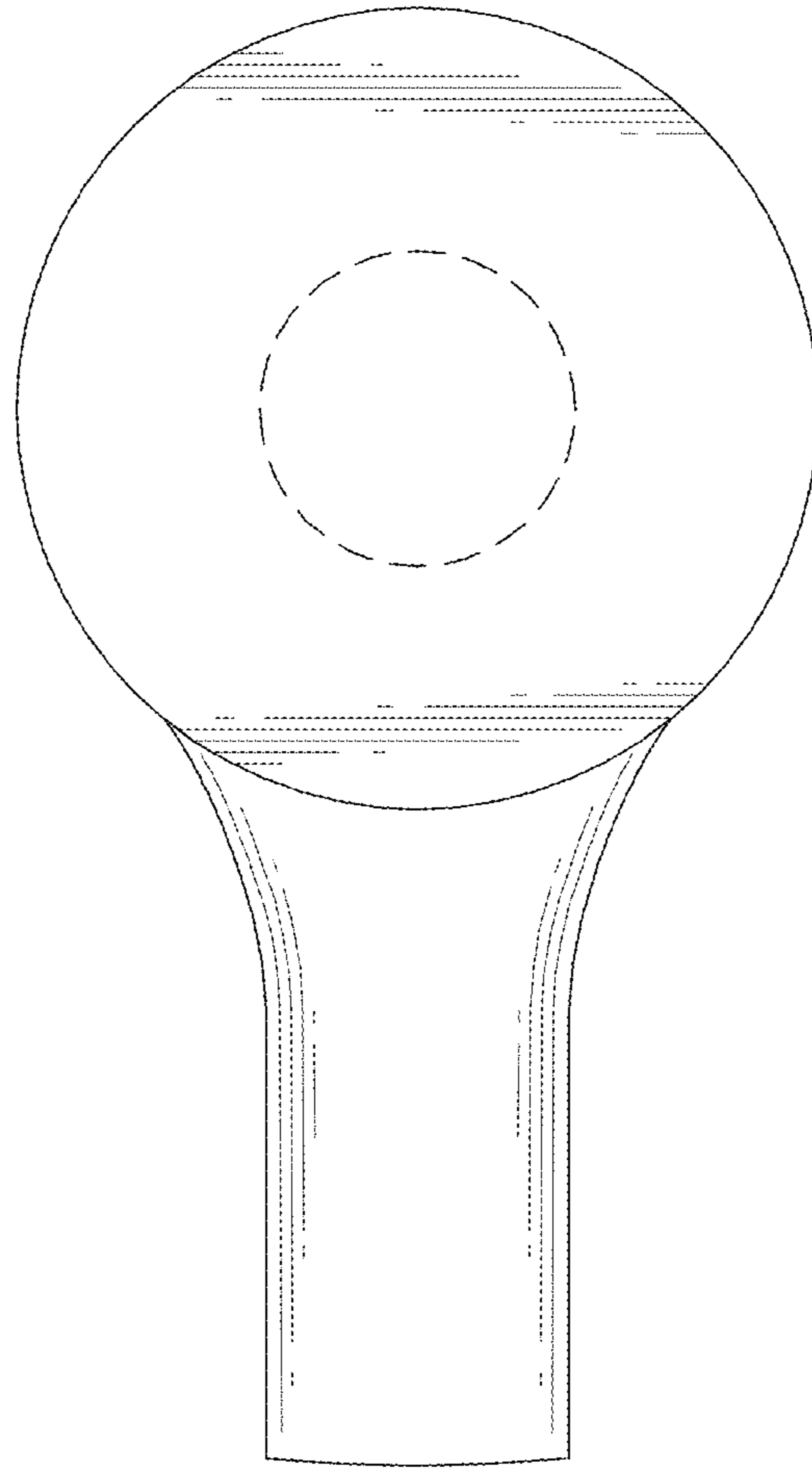


FIG. 3

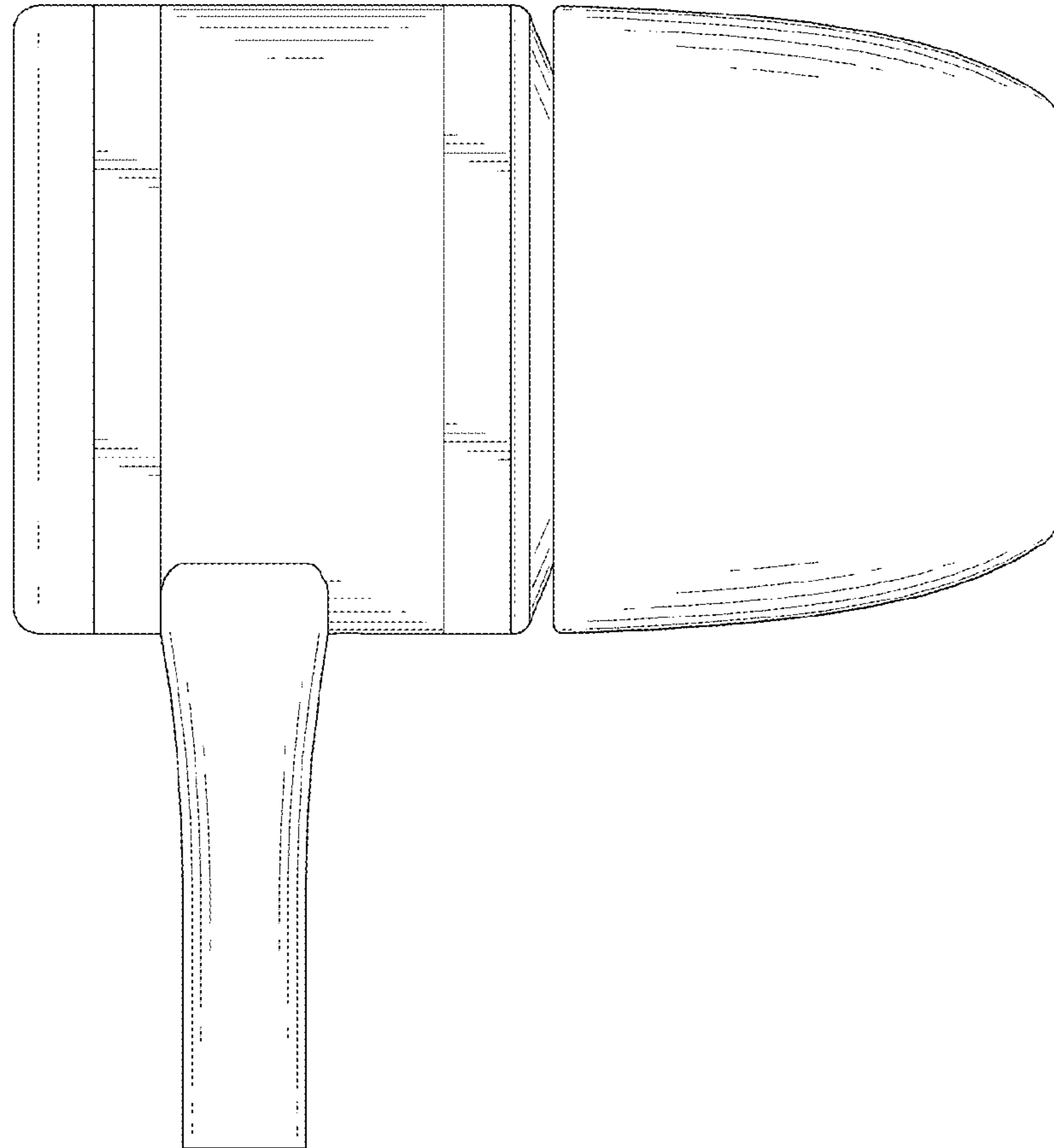


FIG. 4

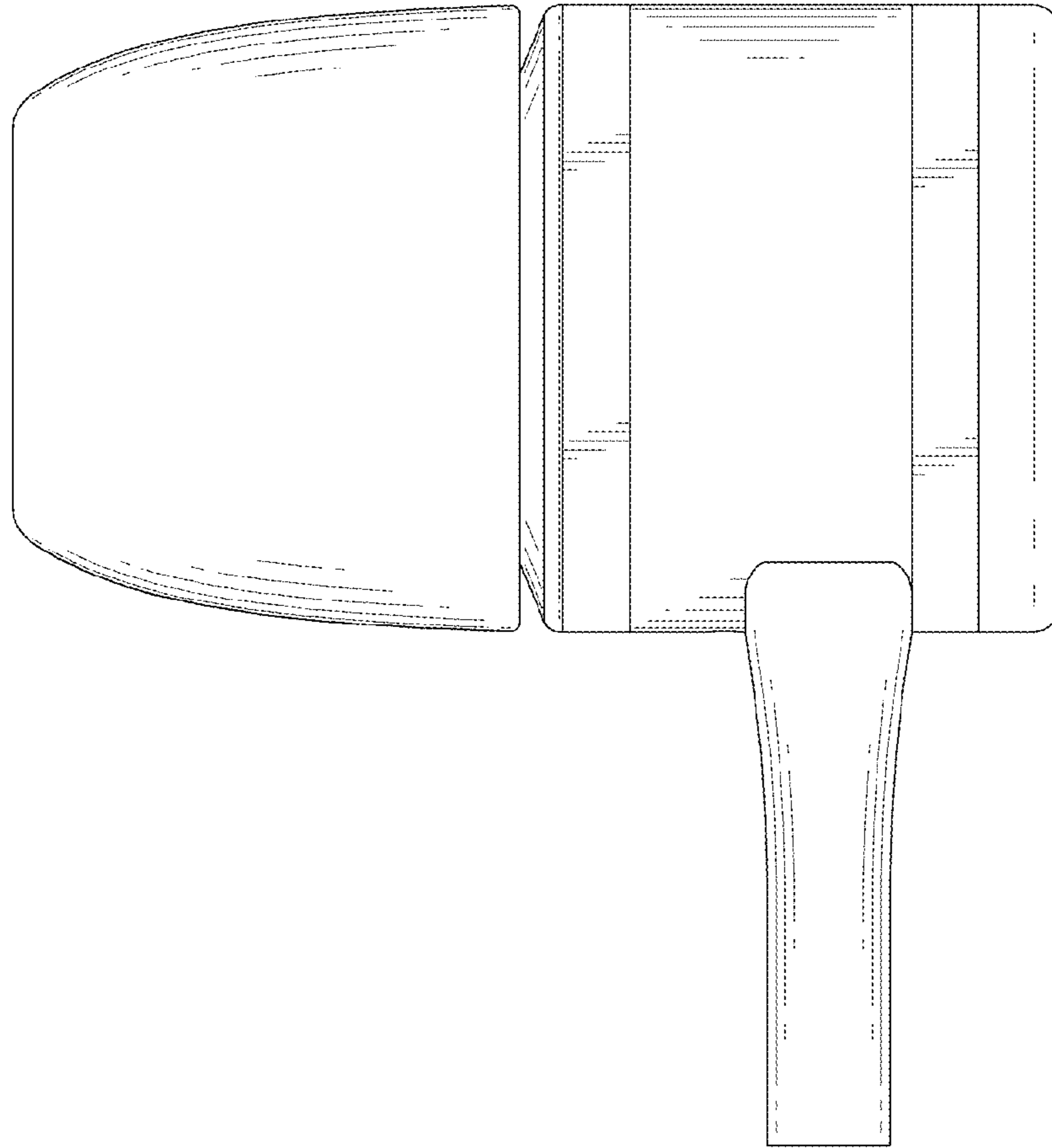


FIG. 5

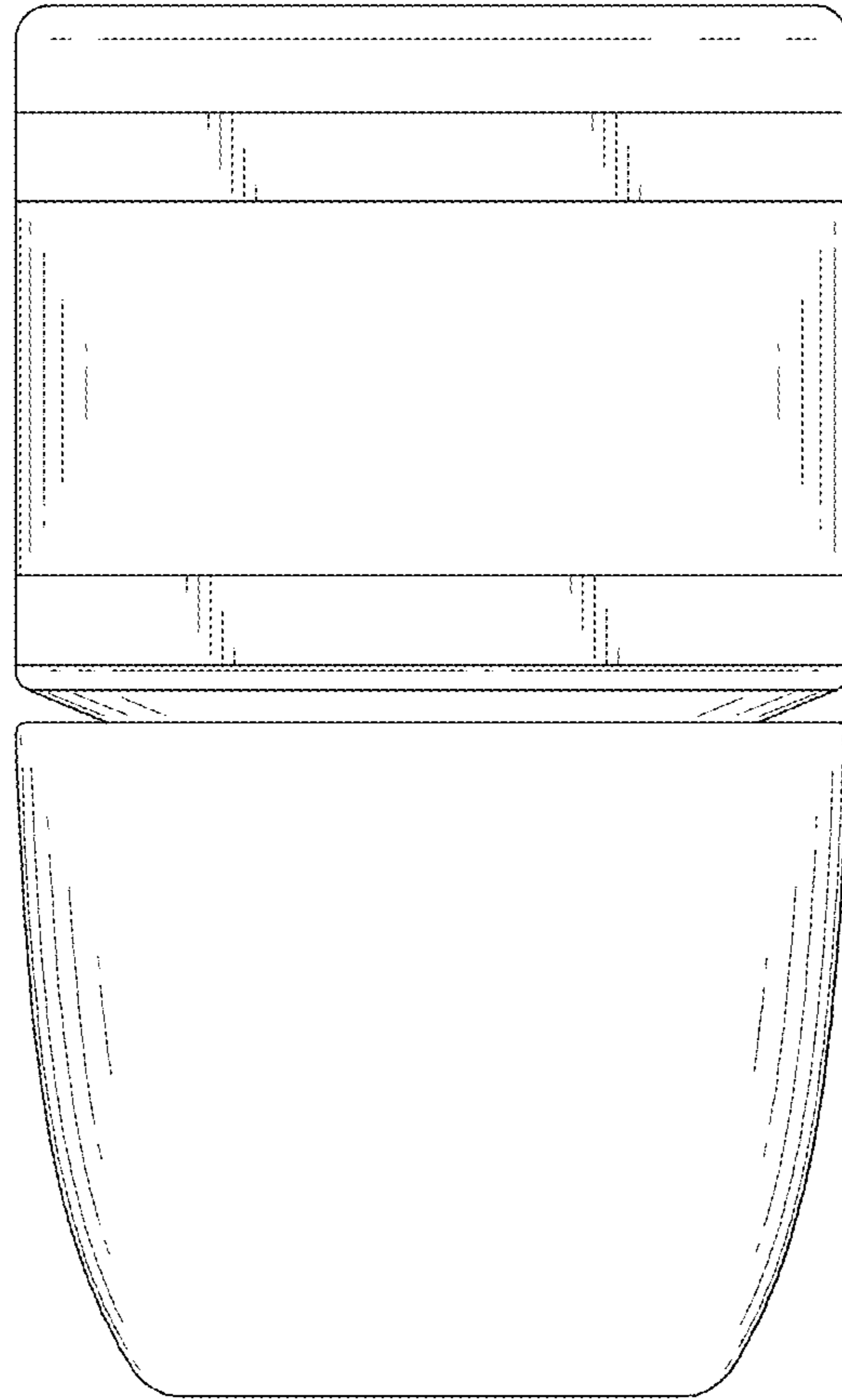


FIG. 6

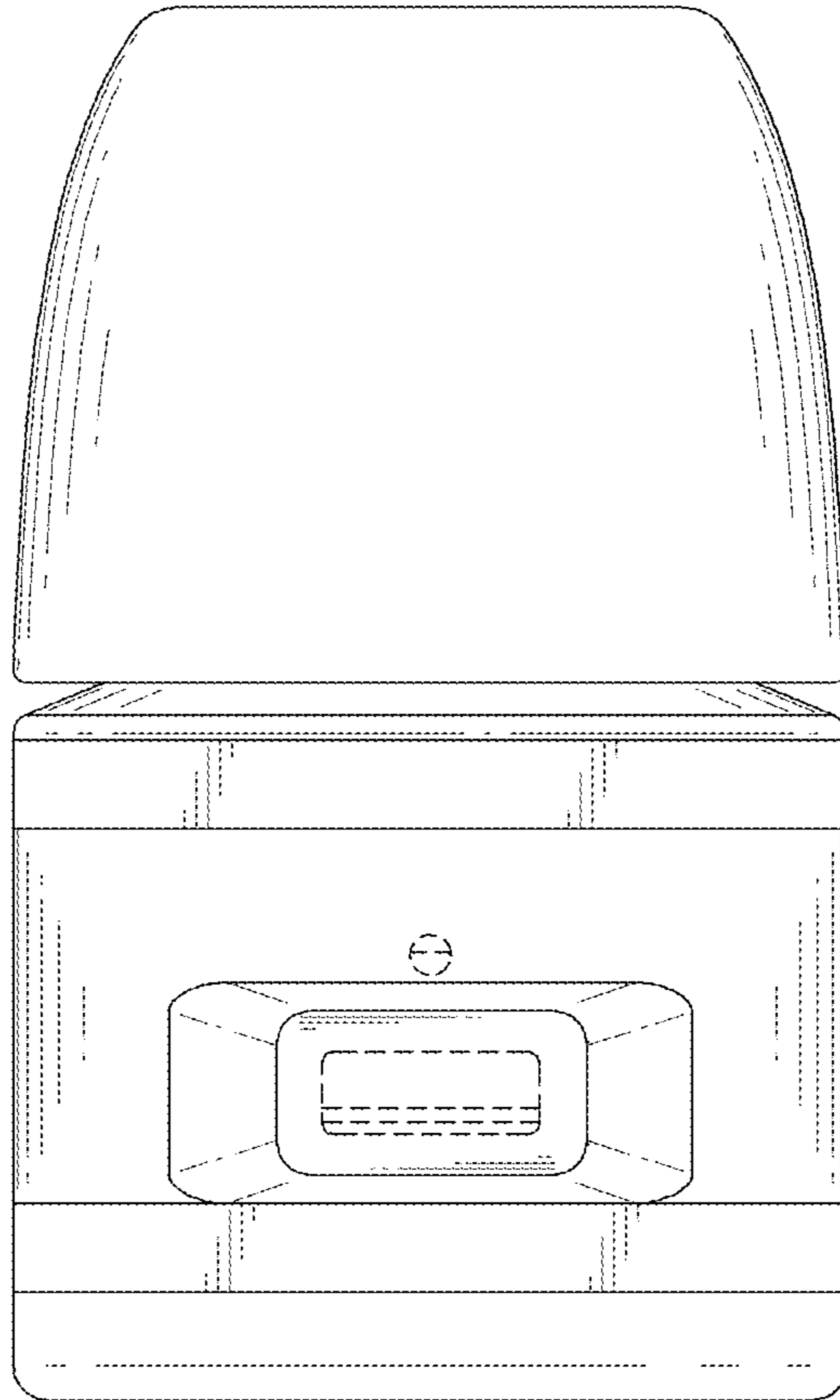


FIG. 7