



US00D680101S

(12) **United States Design Patent**  
**Koch**

(10) **Patent No.:** **US D680,101 S**  
(45) **Date of Patent:** **\*\* Apr. 16, 2013**

- (54) **COMMUNICATIONS HEADSET**
- (75) Inventor: **Christophe Koch**, Santa Cruz, CA (US)
- (73) Assignee: **Plantronics, Inc.**, Santa Cruz, CA (US)
- (\*\*) Term: **14 Years**
- (21) Appl. No.: **29/413,506**
- (22) Filed: **Feb. 16, 2012**
- (51) **LOC (9) Cl.** ..... **14-01**
- (52) **U.S. Cl.**  
USPC ..... **D14/223**
- (58) **Field of Classification Search** ..... D14/205,  
D14/206, 223; 181/129, 130, 135; 379/430,  
379/431; 381/375, 380, 381; 455/90.3, 575.1,  
455/575.2  
See application file for complete search history.

D664,125 S \* 7/2012 Koch et al. .... D14/223  
D665,384 S \* 8/2012 Birger ..... D14/223

\* cited by examiner

*Primary Examiner* — Paula Greene

(74) *Attorney, Agent, or Firm* — Michael D. Rodriguez

(57) **CLAIM**

The ornamental design for a communications headset, as shown and described.

**DESCRIPTION**

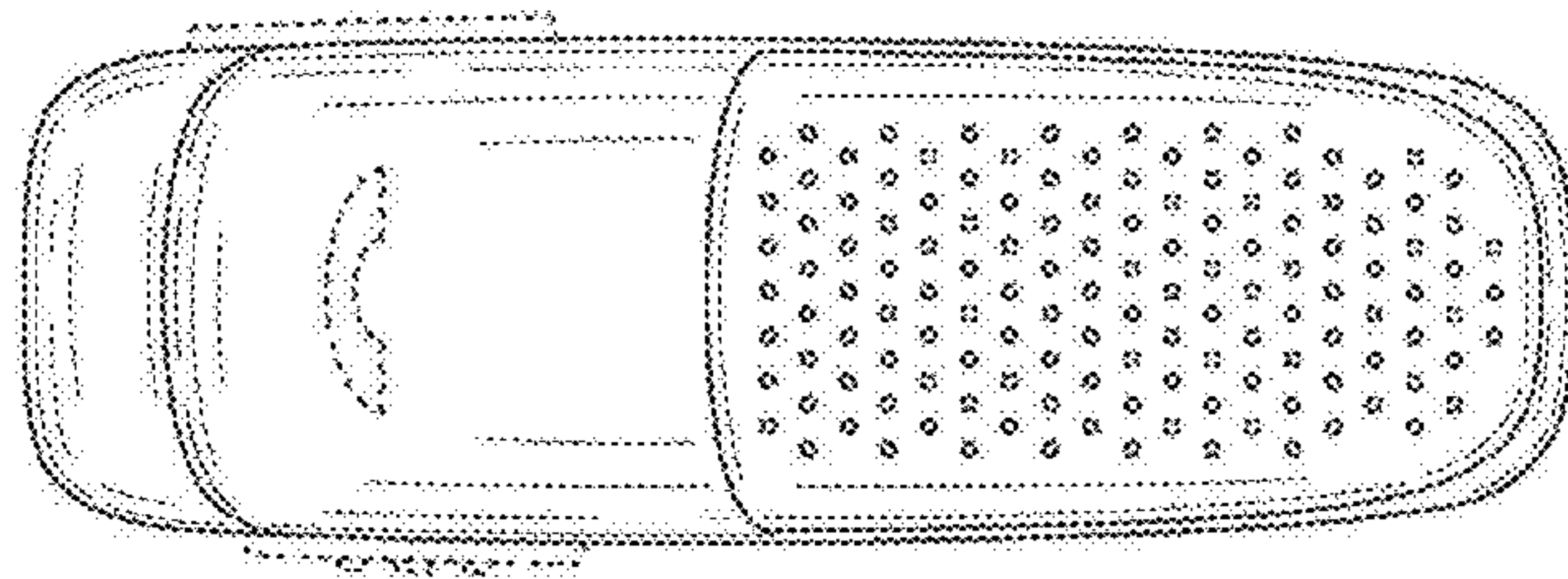
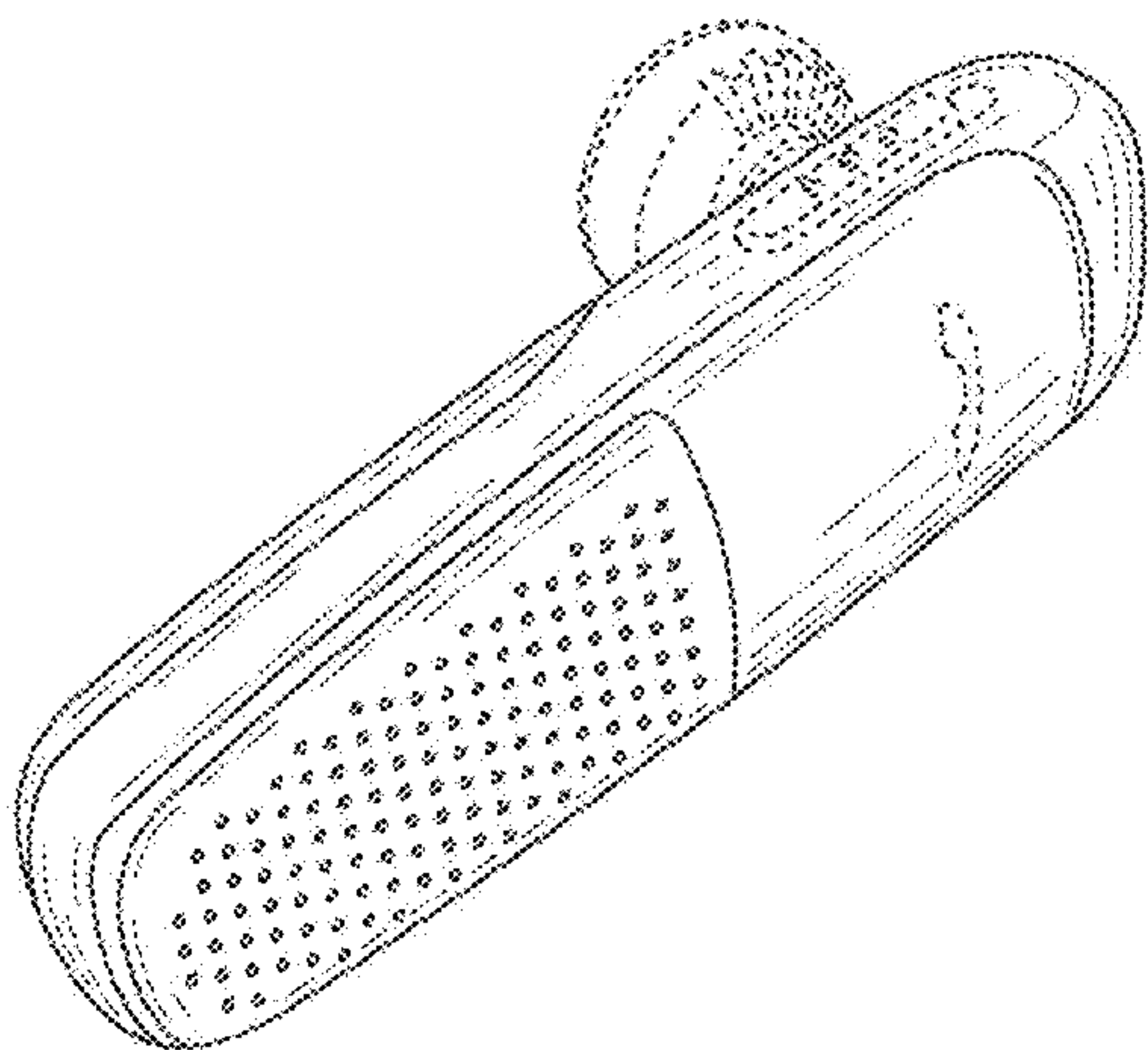
FIG. 1 is a front-top-right perspective view of a communications headset showing my new design;  
 FIG. 2 is a front-bottom-left perspective view thereof;  
 FIG. 3 is a front side view thereof;  
 FIG. 4 is a back side view thereof;  
 FIG. 5 is a top view thereof;  
 FIG. 6 is a bottom view thereof;  
 FIG. 7 is a left side view thereof;  
 FIG. 8 is right side view thereof;  
 FIG. 9 is a front-top-right perspective view of a second embodiment showing my new design;  
 FIG. 10 is a front-bottom-left perspective view thereof;  
 FIG. 11 is a front side view thereof;  
 FIG. 12 is a back side view thereof;  
 FIG. 13 is a top view thereof;  
 FIG. 14 is a bottom view thereof;  
 FIG. 15 is a left side view thereof; and,  
 FIG. 16 is a right side view thereof.  
 The broken lines showing of the unclaimed environment forms no part of the claimed design.

(56) **References Cited**

**U.S. PATENT DOCUMENTS**

D358,394	S	*	5/1995	Dyas	.....	D14/214
5,548,643	A	*	8/1996	Dalgleish et al.	.....	379/429
D582,398	S	*	12/2008	Nam et al.	.....	D14/223
D584,294	S	*	1/2009	Nam et al.	.....	D14/223
D626,946	S	*	11/2010	Lee et al.	.....	D14/223
D628,194	S	*	11/2010	Koch	.....	D14/223
D630,620	S	*	1/2011	Lee et al.	.....	D14/223
D633,481	S	*	3/2011	Chen	.....	D14/223
D634,300	S	*	3/2011	Yang et al.	.....	D14/206
D648,710	S	*	11/2011	Ha et al.	.....	D14/223
D656,490	S	*	3/2012	Birger	.....	D14/223
D657,781	S	*	4/2012	Yang	.....	D14/223

**1 Claim, 6 Drawing Sheets**



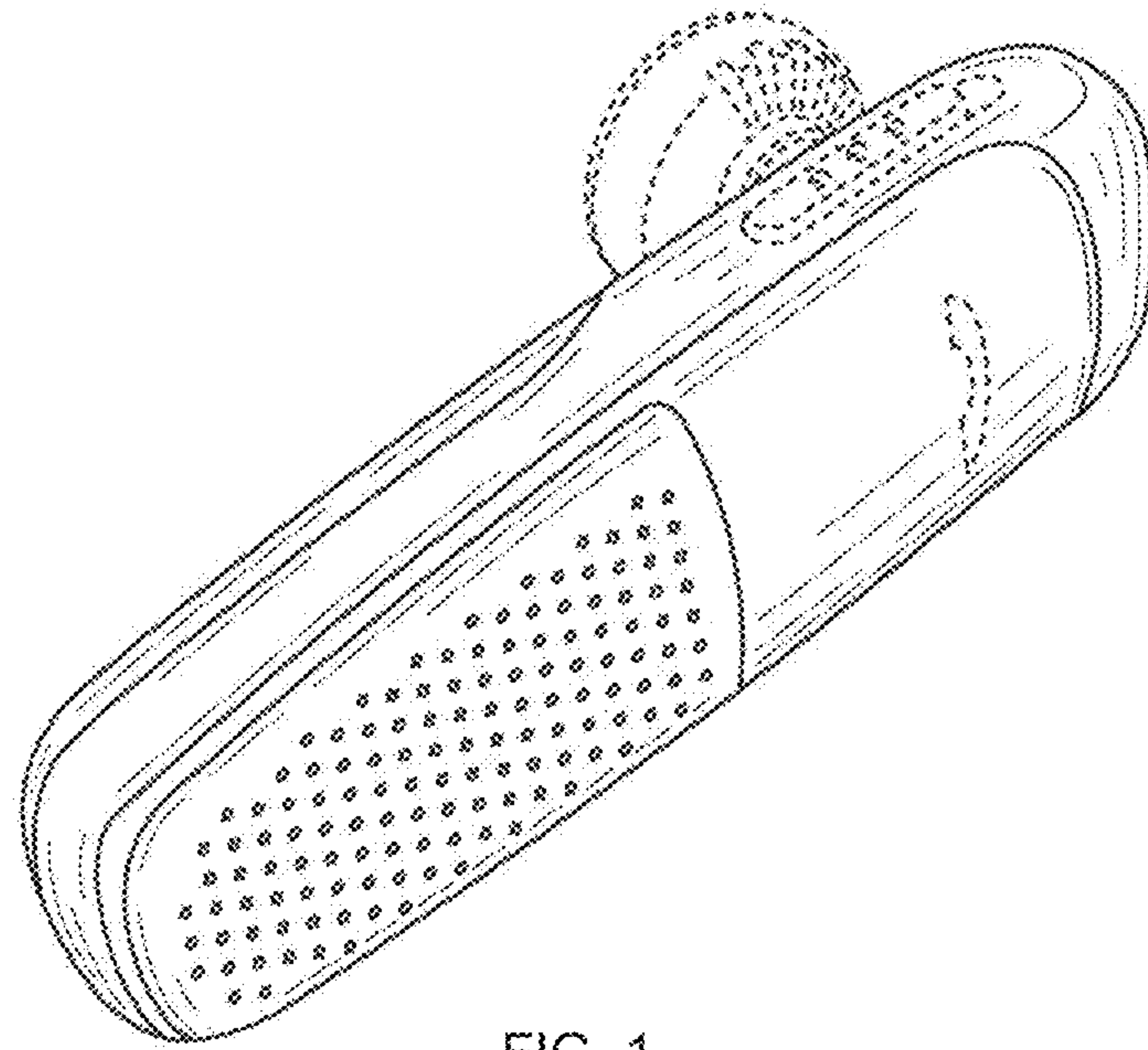


FIG. 1

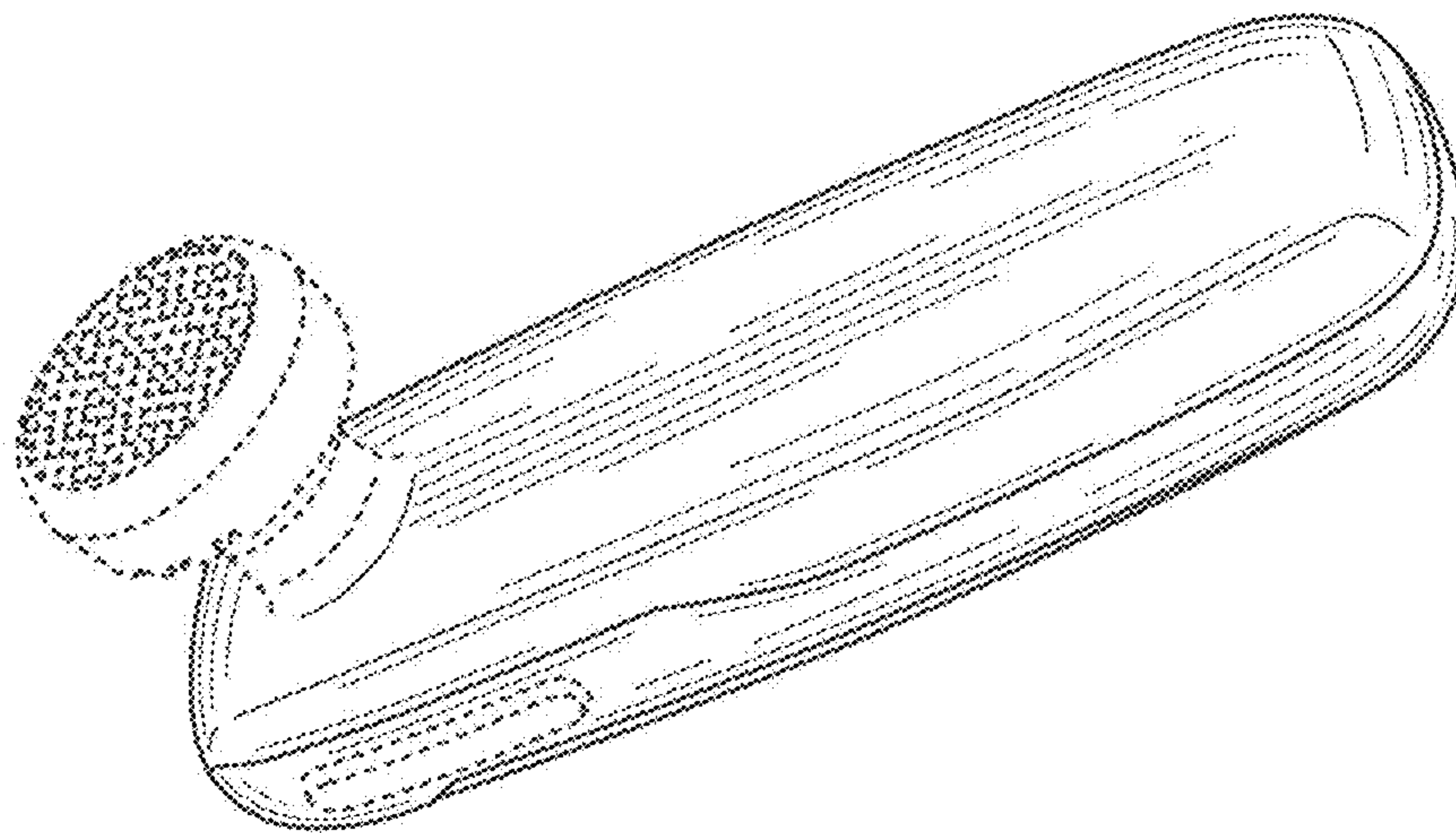


FIG. 2

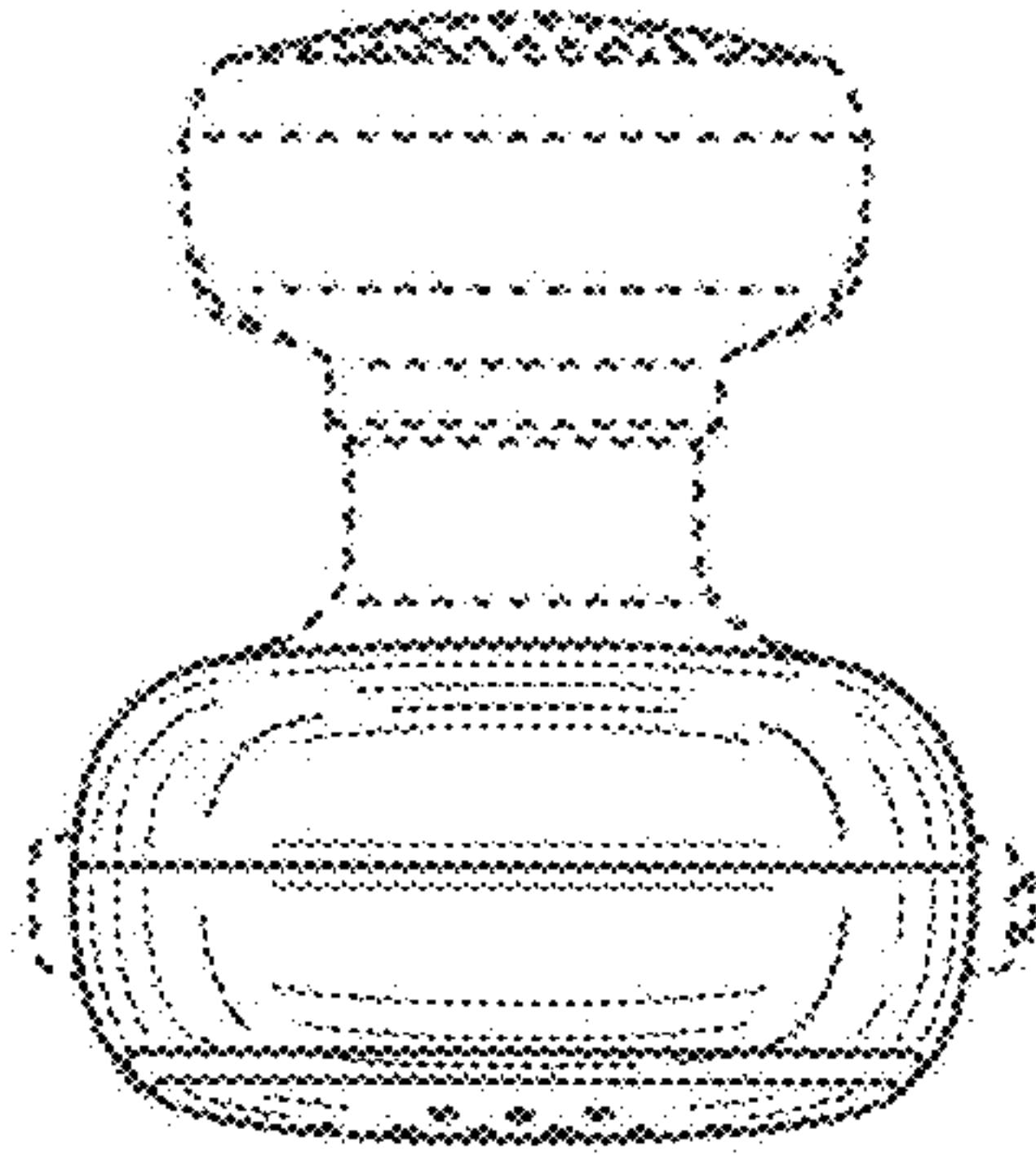


FIG. 3

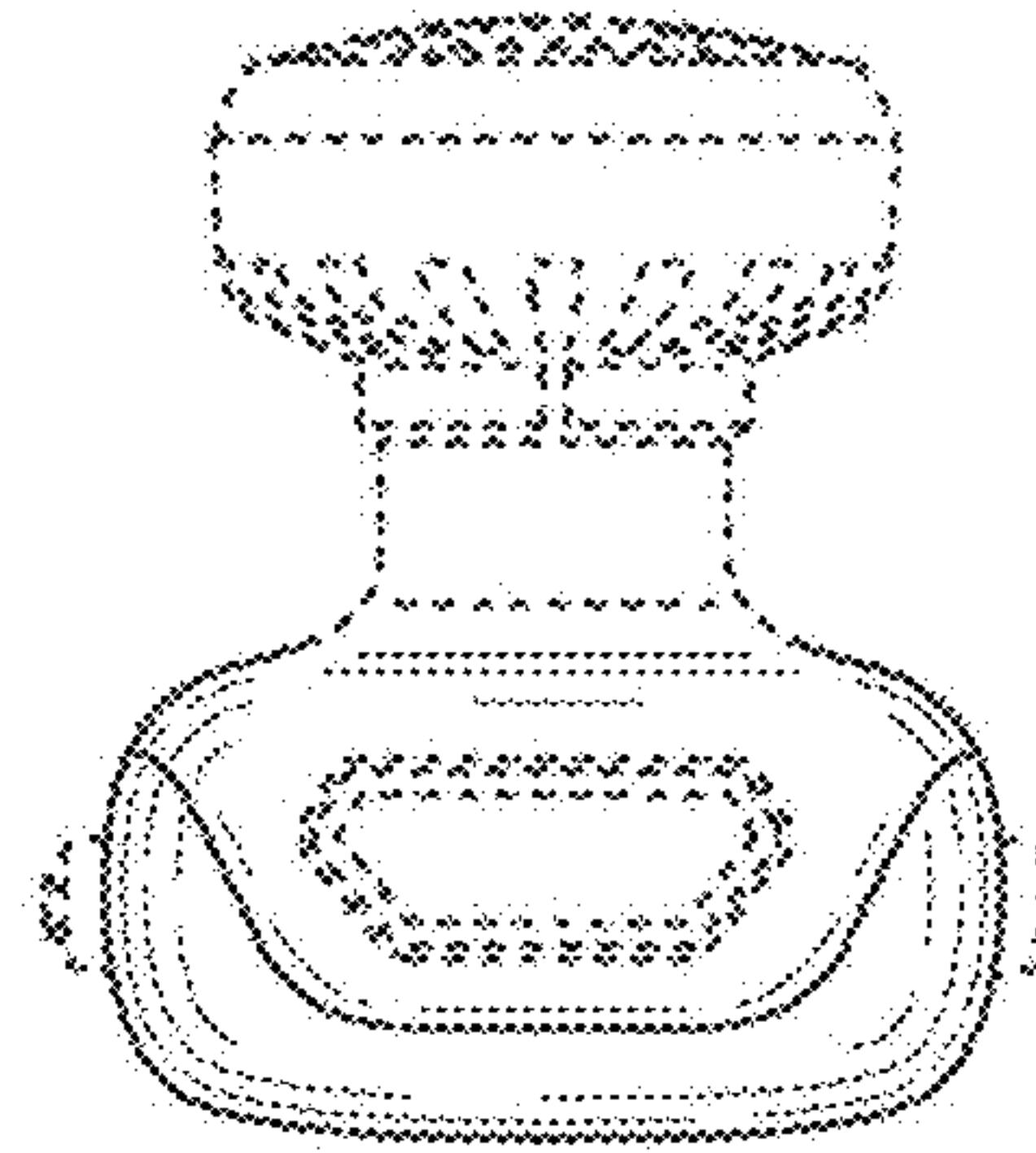


FIG. 4

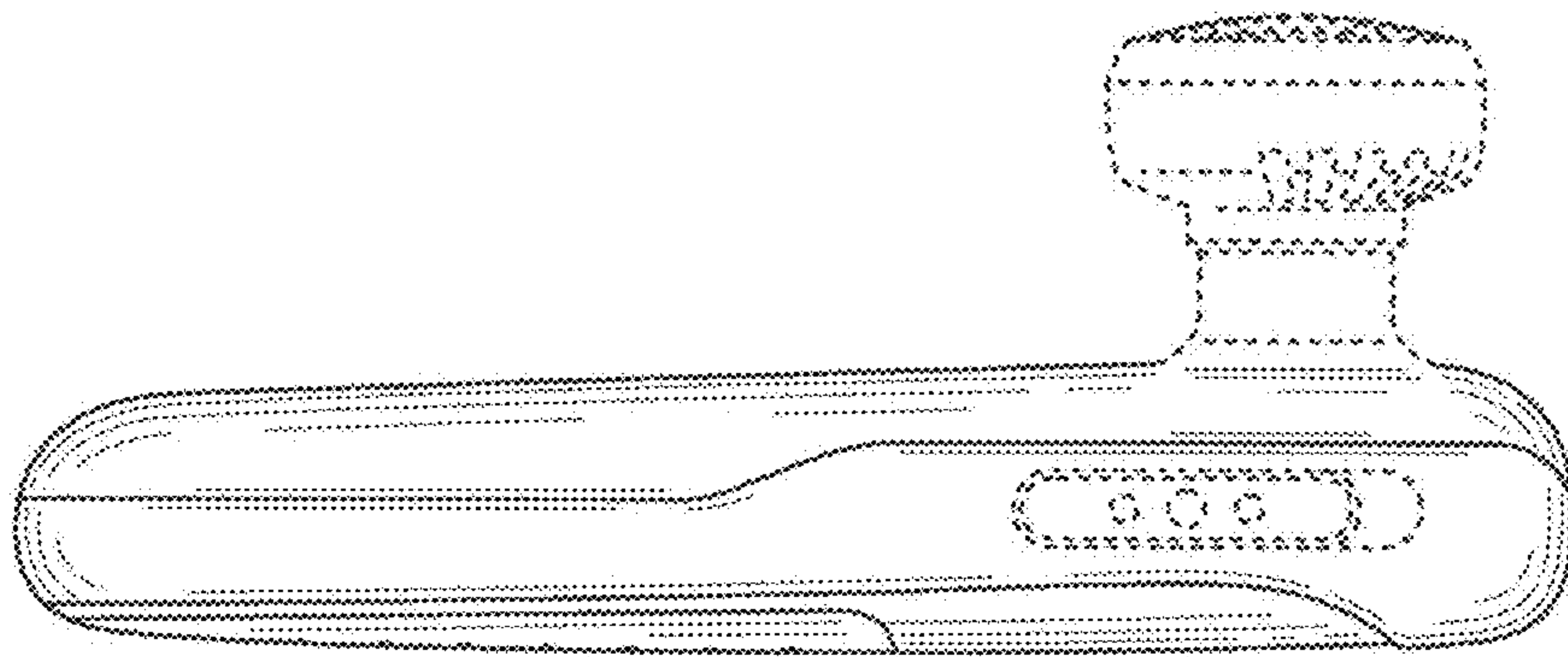


FIG. 5

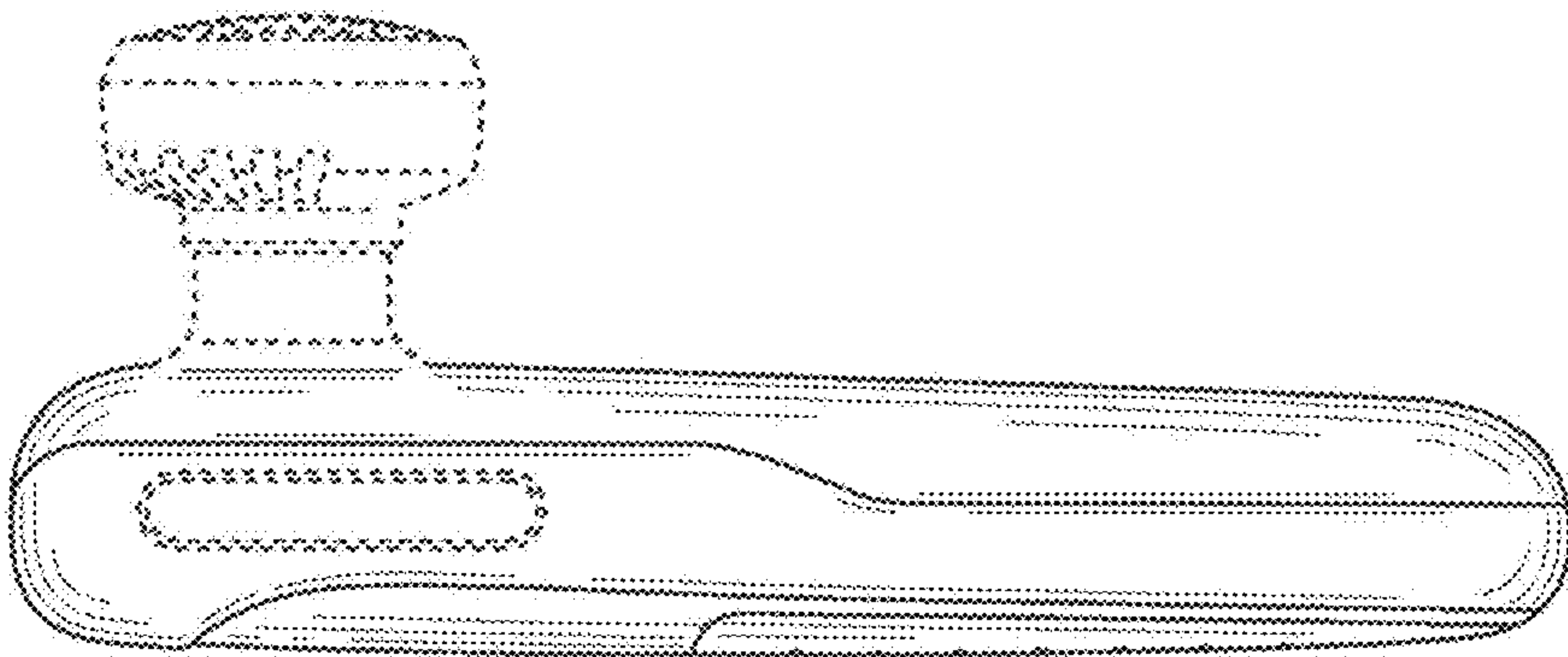


FIG. 6



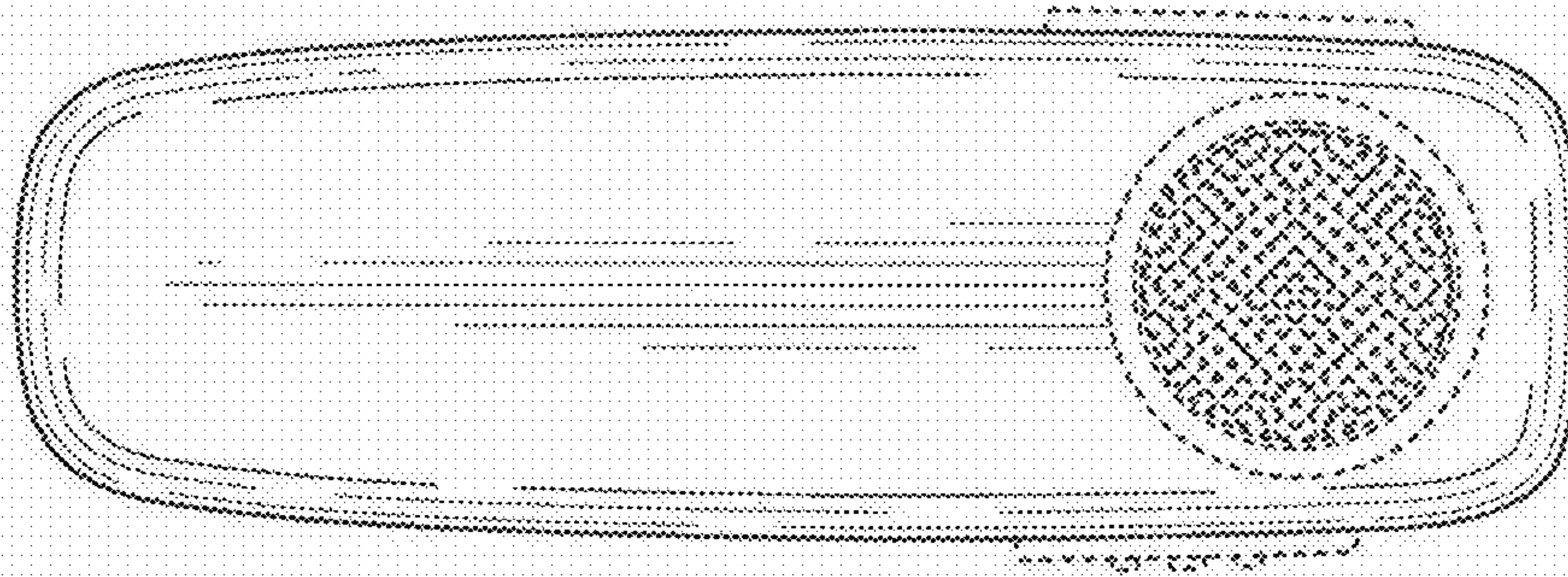


FIG. 7

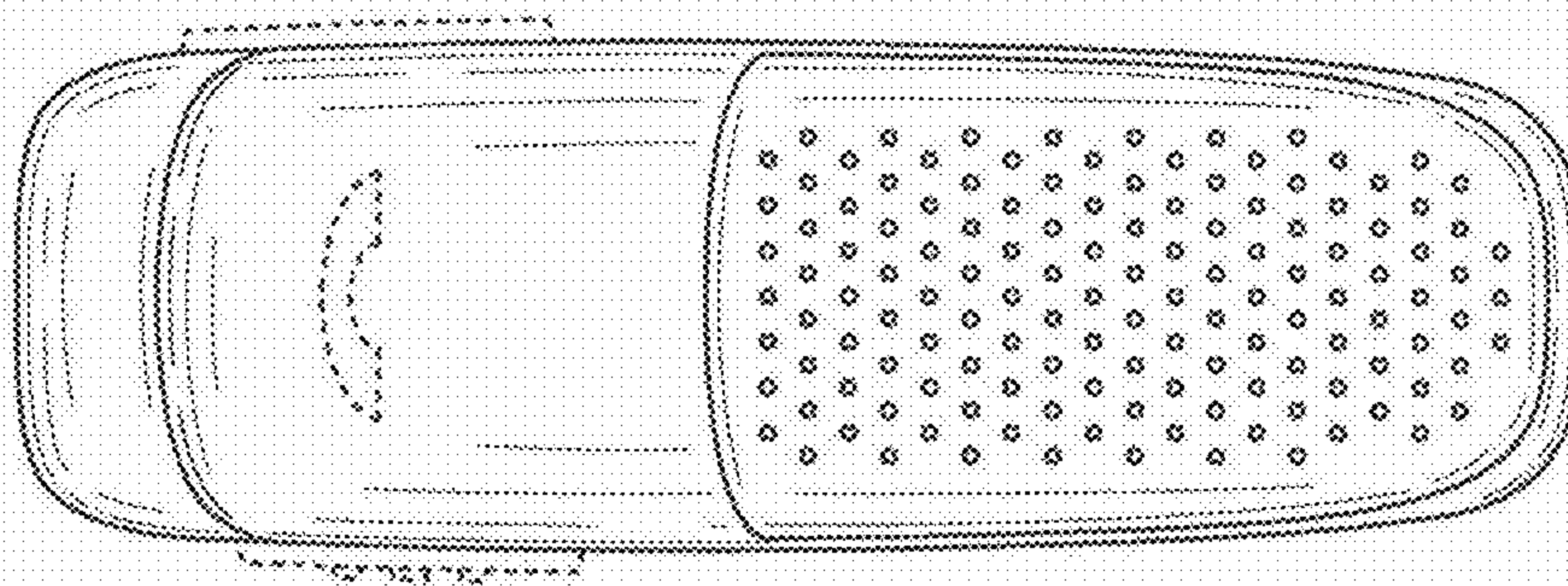


FIG. 8

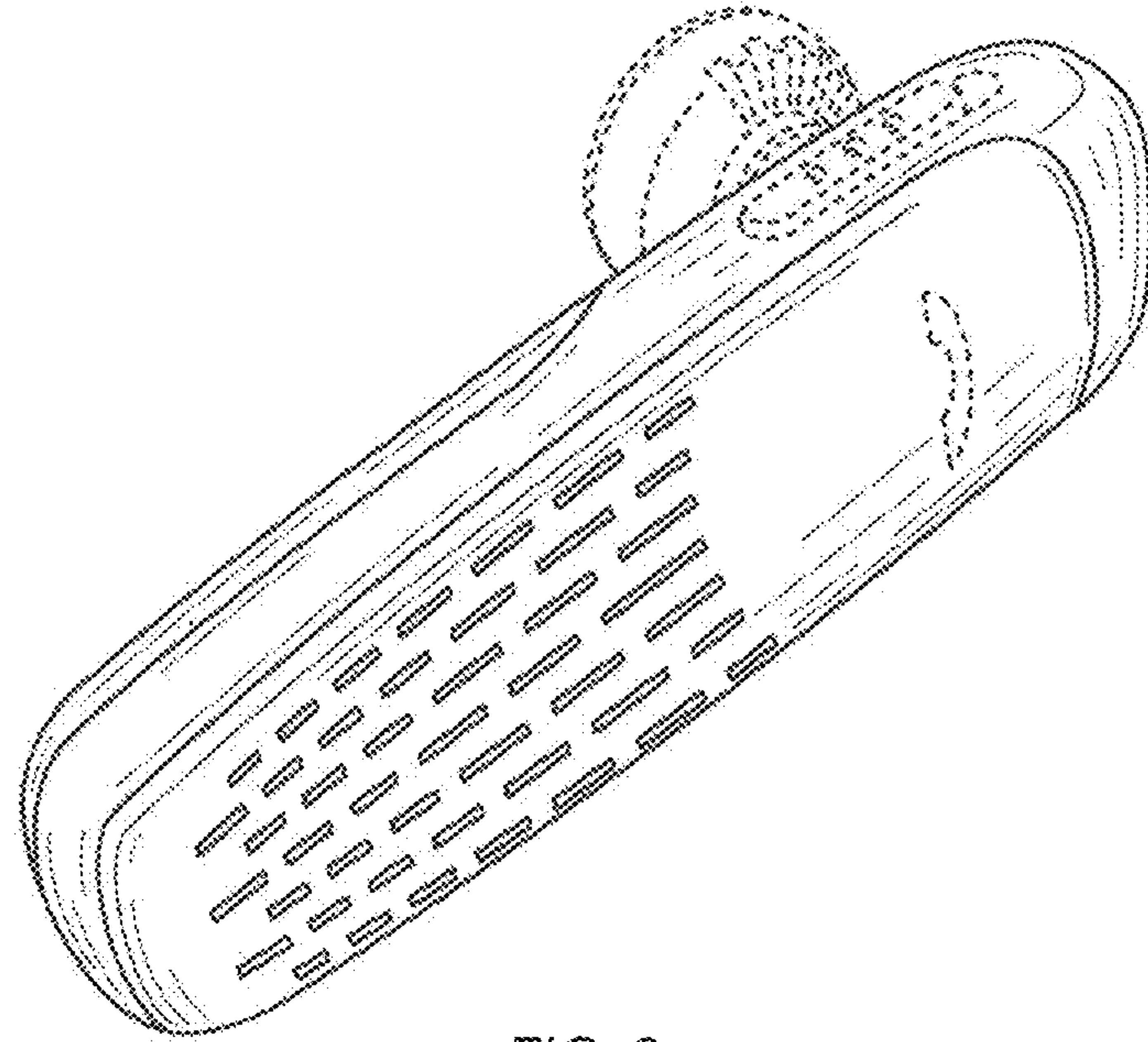


FIG. 9

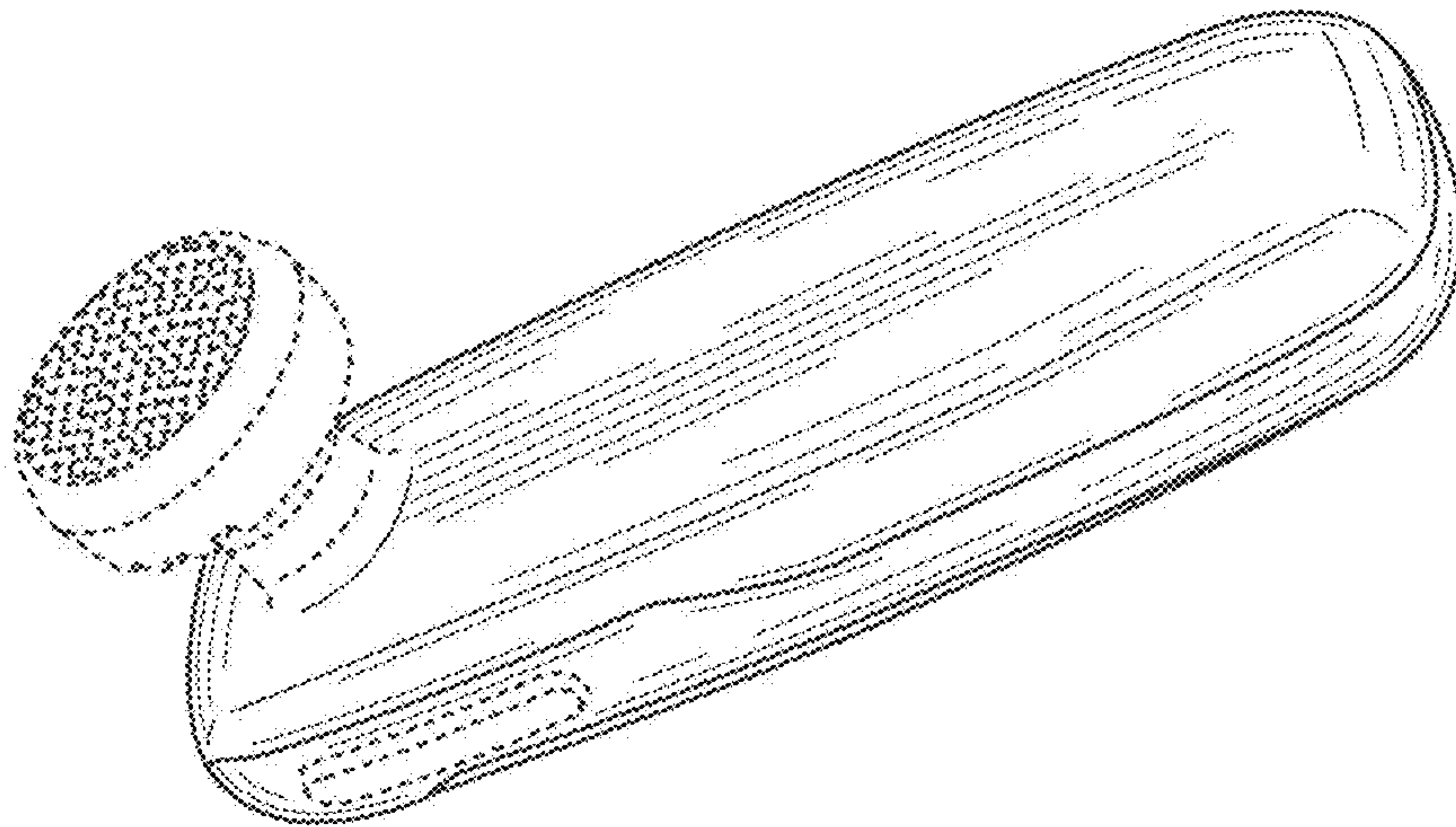


FIG. 10

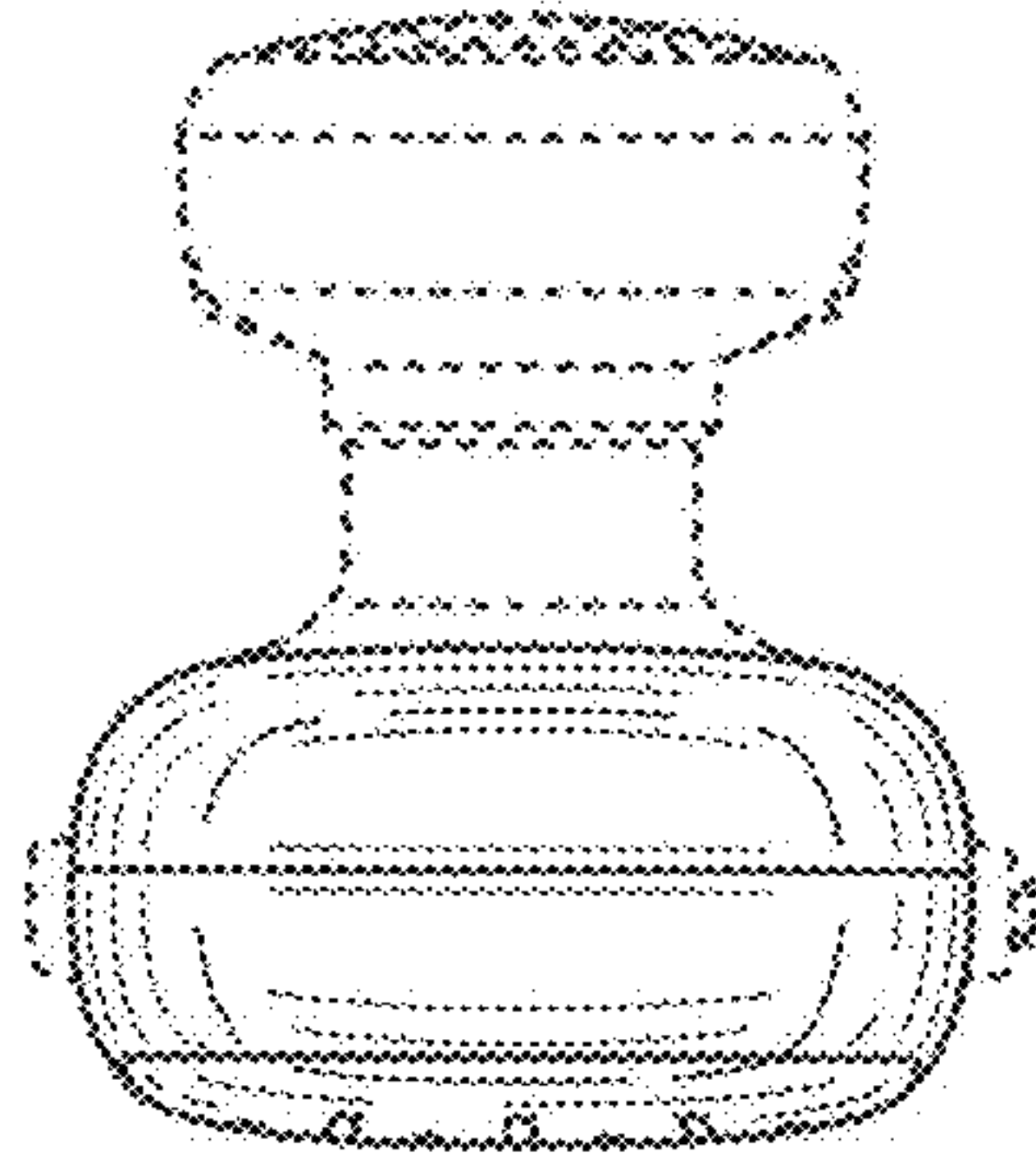


FIG. 11

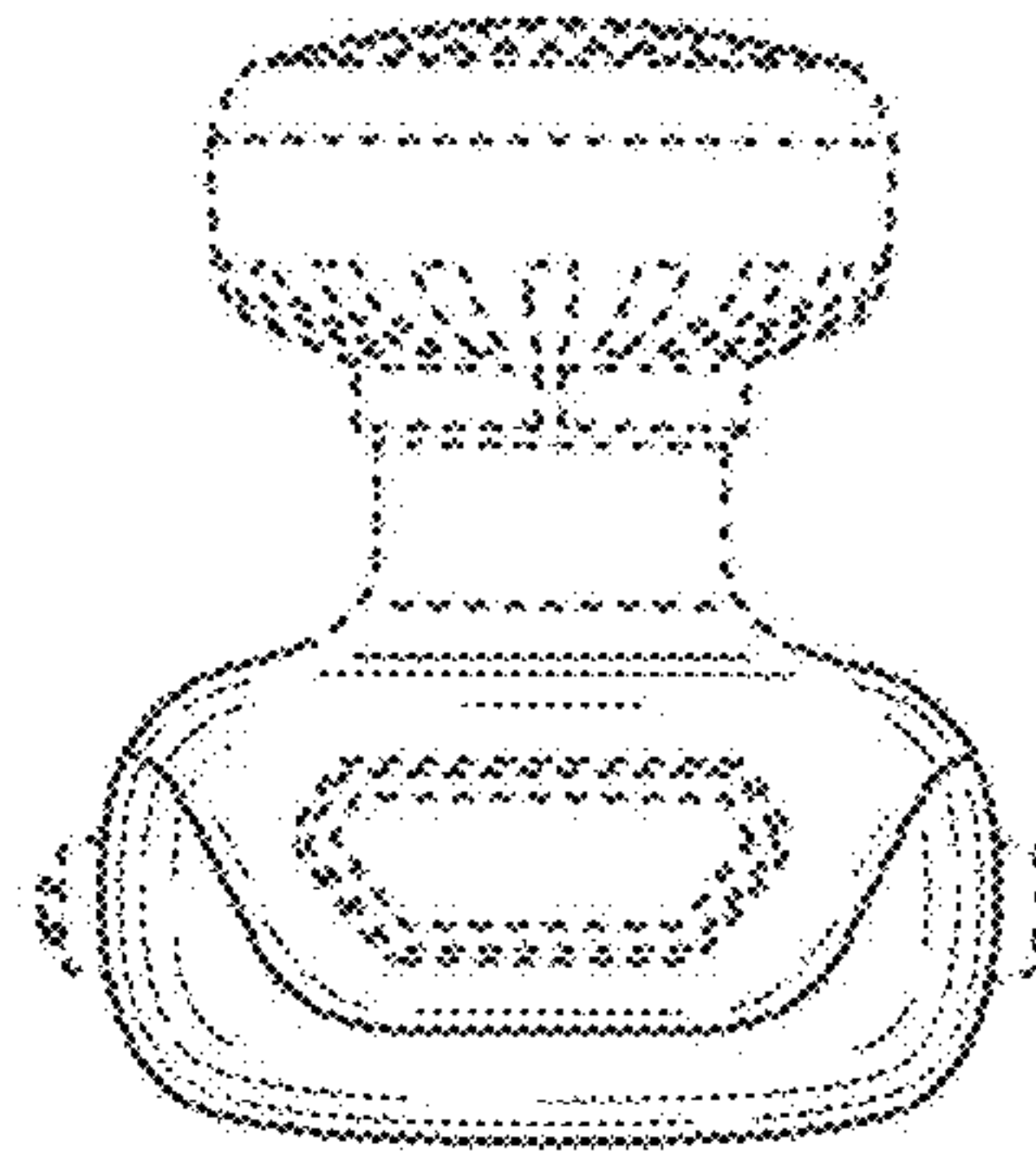


FIG. 12

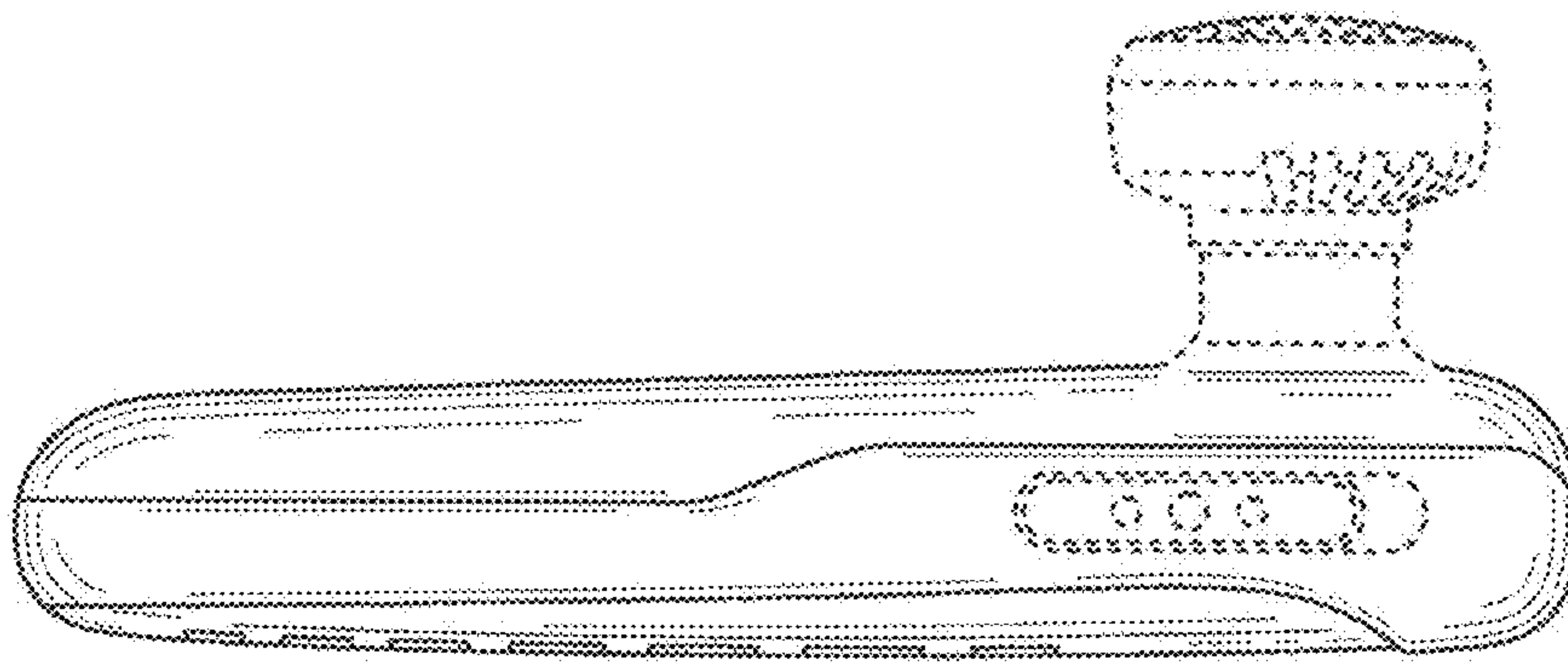


FIG. 13

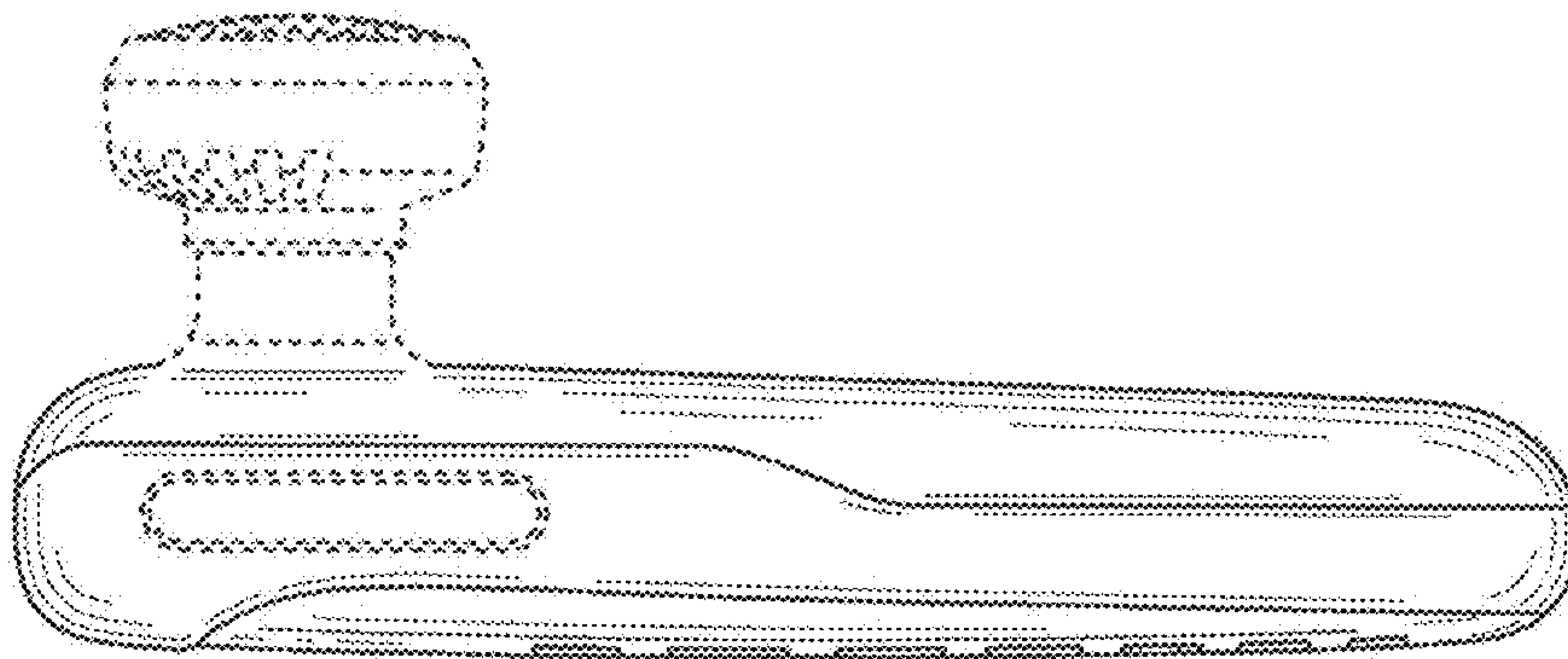


FIG. 14



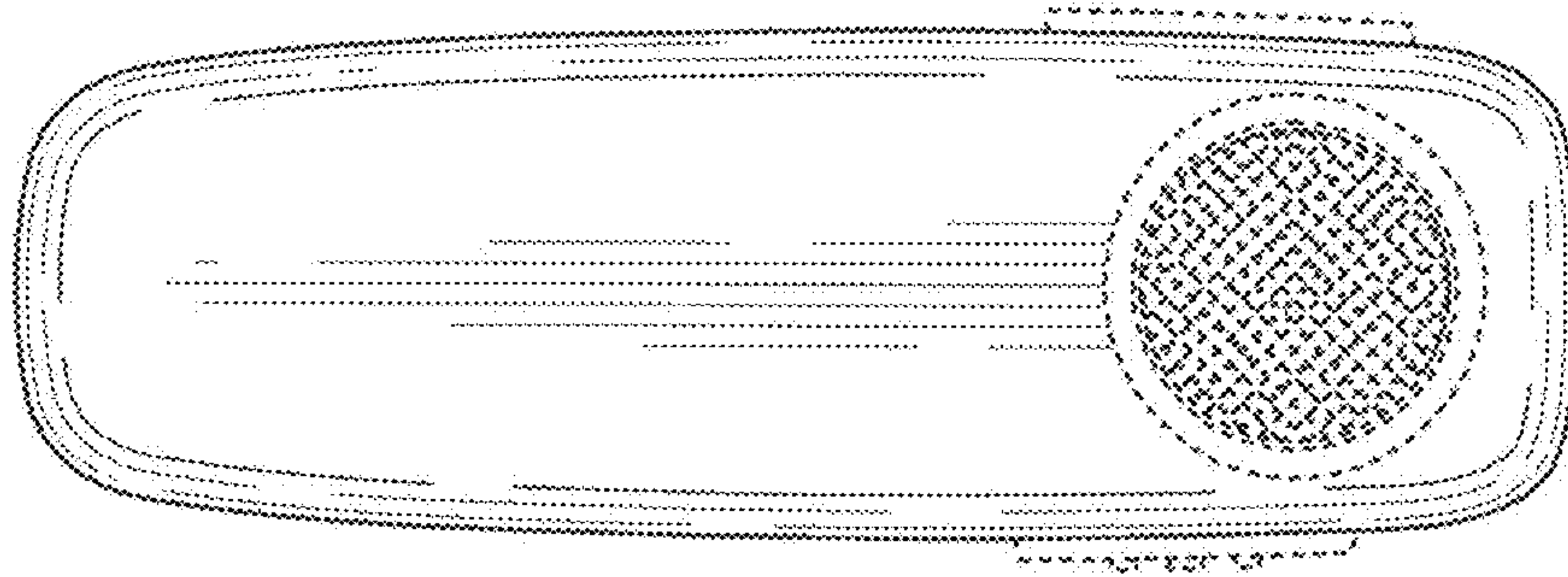


FIG. 15

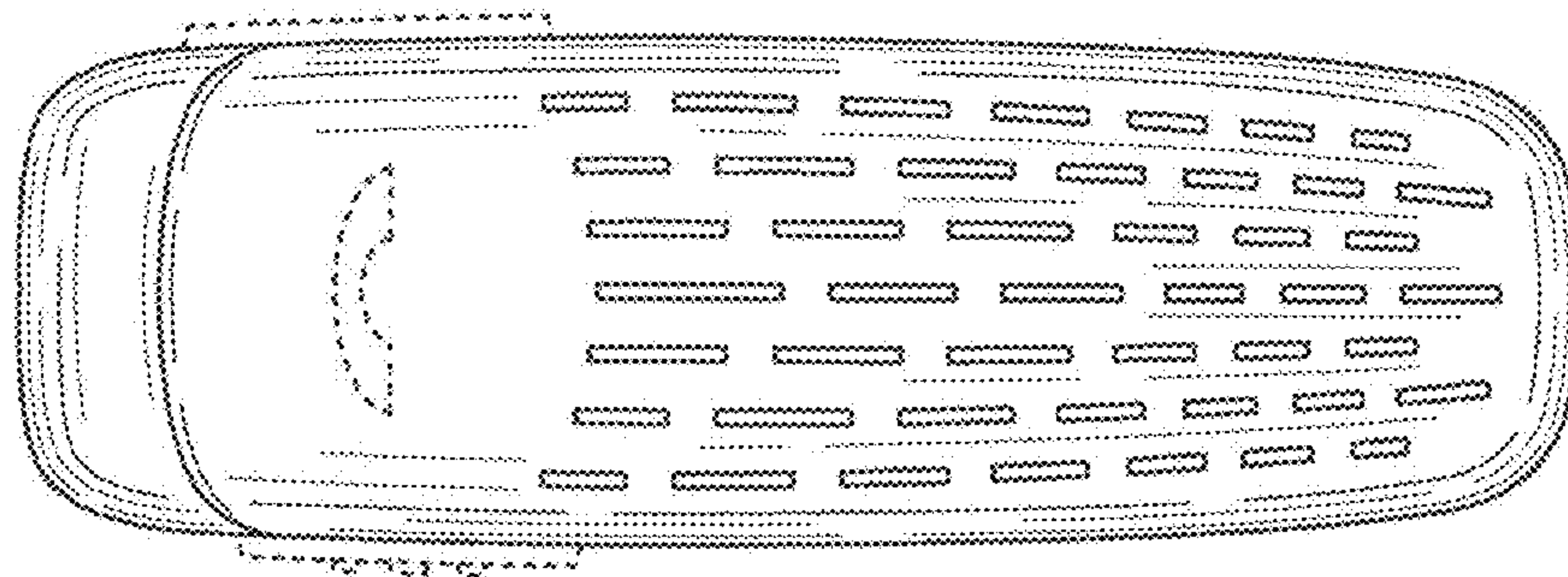


FIG. 16