



US00D680099S

(12) **United States Design Patent**  
**Davies et al.**

(10) **Patent No.:** **US D680,099 S**

(45) **Date of Patent:** **\*\* Apr. 16, 2013**

(54) **LOUDSPEAKER**

(56) **References Cited**

(71) Applicant: **GP Acoustics International Limited,**  
Kwai Chung (HK)

U.S. PATENT DOCUMENTS

(72) Inventors: **John Simon Davies,** Hong Kong (HK);  
**Hung Yan Ho,** Hong Kong (HK);  
**Jonathon Parry Jones,** Denbigshire  
(GB)

4,214,645 A	7/1980	Plourde
4,940,108 A	7/1990	Selby
5,875,255 A	2/1999	Campbell
5,933,509 A	8/1999	Wu
6,561,311 B2	5/2003	Chaung
D485,259 S	1/2004	Allen
D486,474 S	2/2004	Allen
D494,565 S	8/2004	Yao
D507,790 S	7/2005	Dayan
D576,150 S	9/2008	Lim et al.
D588,107 S	3/2009	Khoo et al.
D597,531 S	8/2009	Cho
D645,450 S	9/2011	Chen

(73) Assignee: **GP Acoustics International Limited,**  
Kwai Chung (HK)

(\*\*) Term: **14 Years**

*Primary Examiner* — Prabhakar Deshmukh

(21) Appl. No.: **29/433,383**

(74) *Attorney, Agent, or Firm* — Pearne & Gordon LLP

(22) Filed: **Sep. 28, 2012**

(57) **CLAIM**

The ornamental design for a loudspeaker, as shown and described.

**Related U.S. Application Data**

**DESCRIPTION**

(62) Division of application No. 29/398,173, filed on Jul. 27, 2011.

(51) **LOC (9) Cl.** ..... **14-01**

(52) **U.S. Cl.**  
USPC ..... **D14/215; D14/204; D14/210**

(58) **Field of Classification Search** ..... D14/204,  
D14/218, 172, 210–216; 181/143, 147, 148,  
181/150, 153, 157, 198, 199, 166, 144;  
381/300–303, 306, 332, 333, 336, 345, 361–364,  
381/370, 386–388

FIG. 1 is a front view of a loudspeaker showing our new design;

FIG. 2 is a rear view thereof;

FIG. 3 is a left side view thereof;

FIG. 4 is a right side view thereof;

FIG. 5 is a top plan view thereof;

FIG. 6 is a bottom plan view thereof;

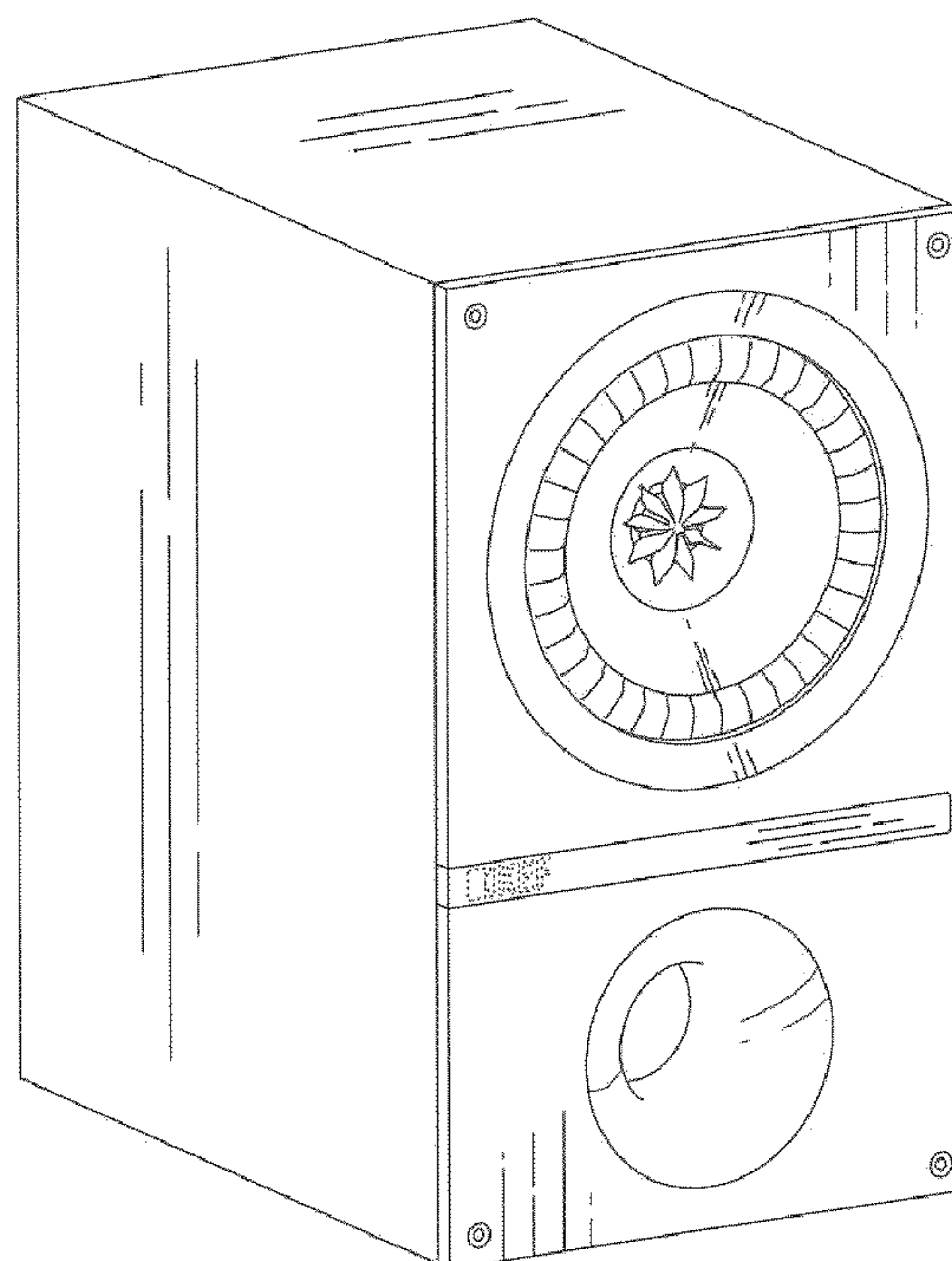
FIG. 7 is a front perspective view thereof; and,

FIG. 8 is a rear perspective view thereof.

The broken line showing on the drawing disclosure is for illustrative purposes only and forms no part of the claimed design.

See application file for complete search history.

**1 Claim, 8 Drawing Sheets**



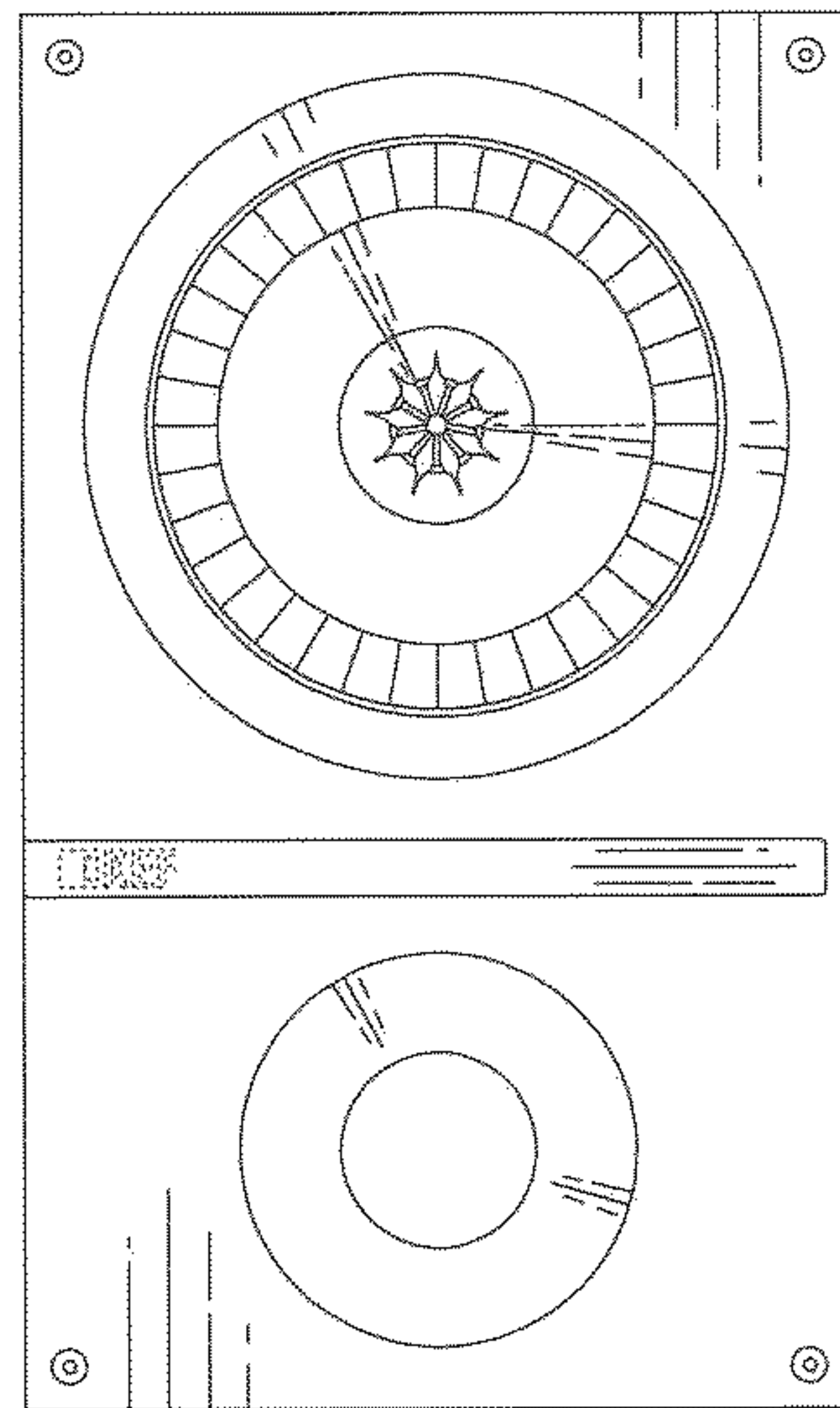


FIG. 1

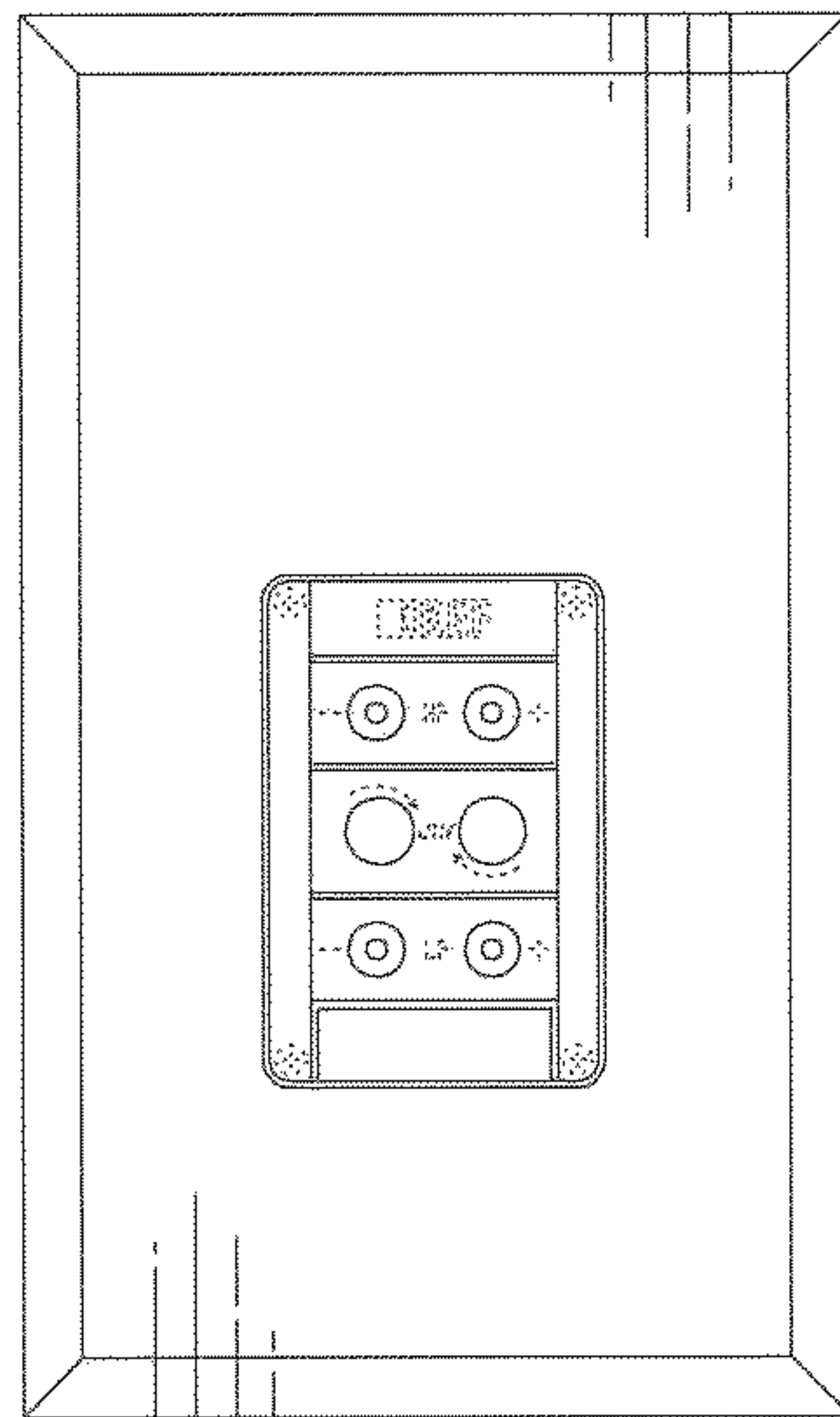


FIG. 2

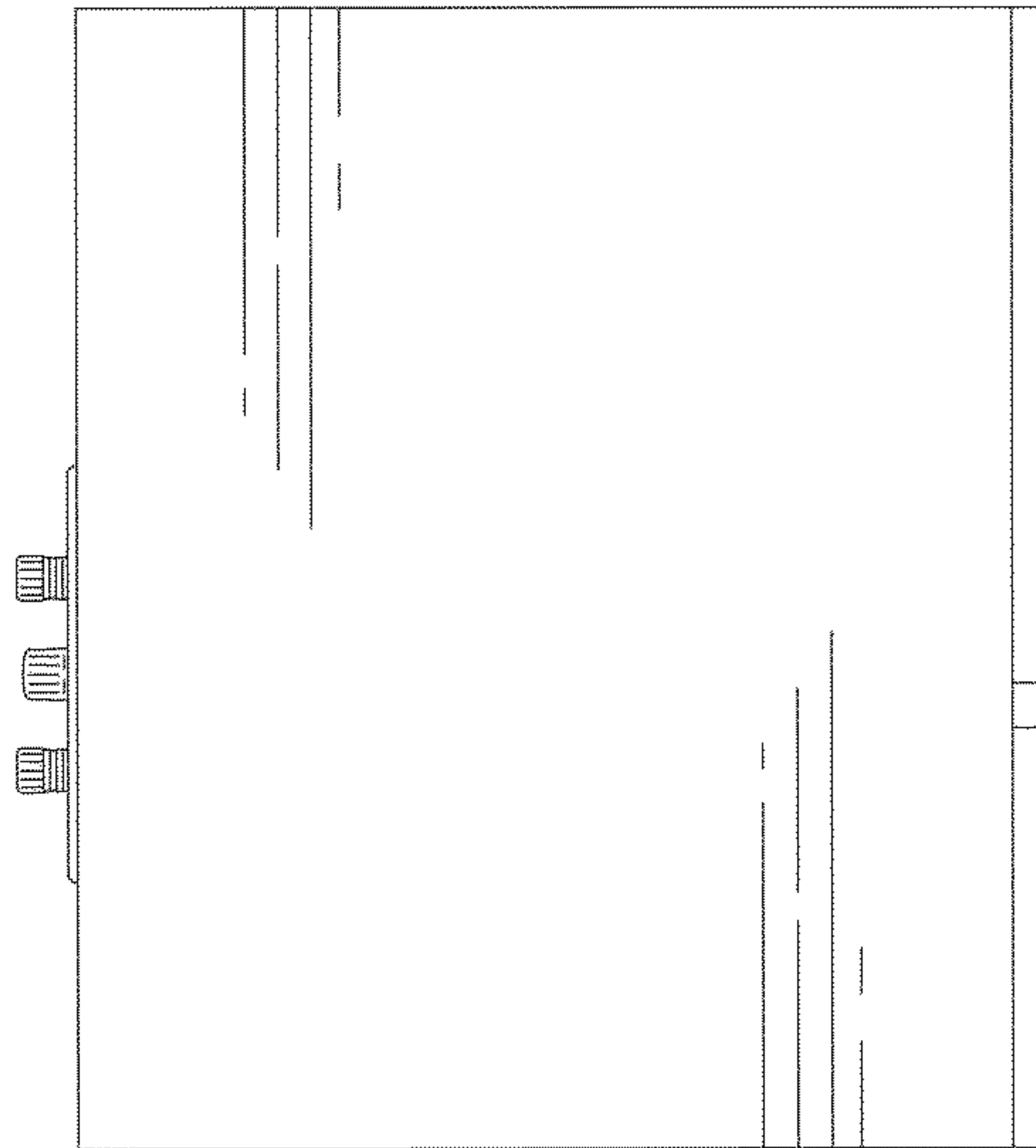


FIG. 3

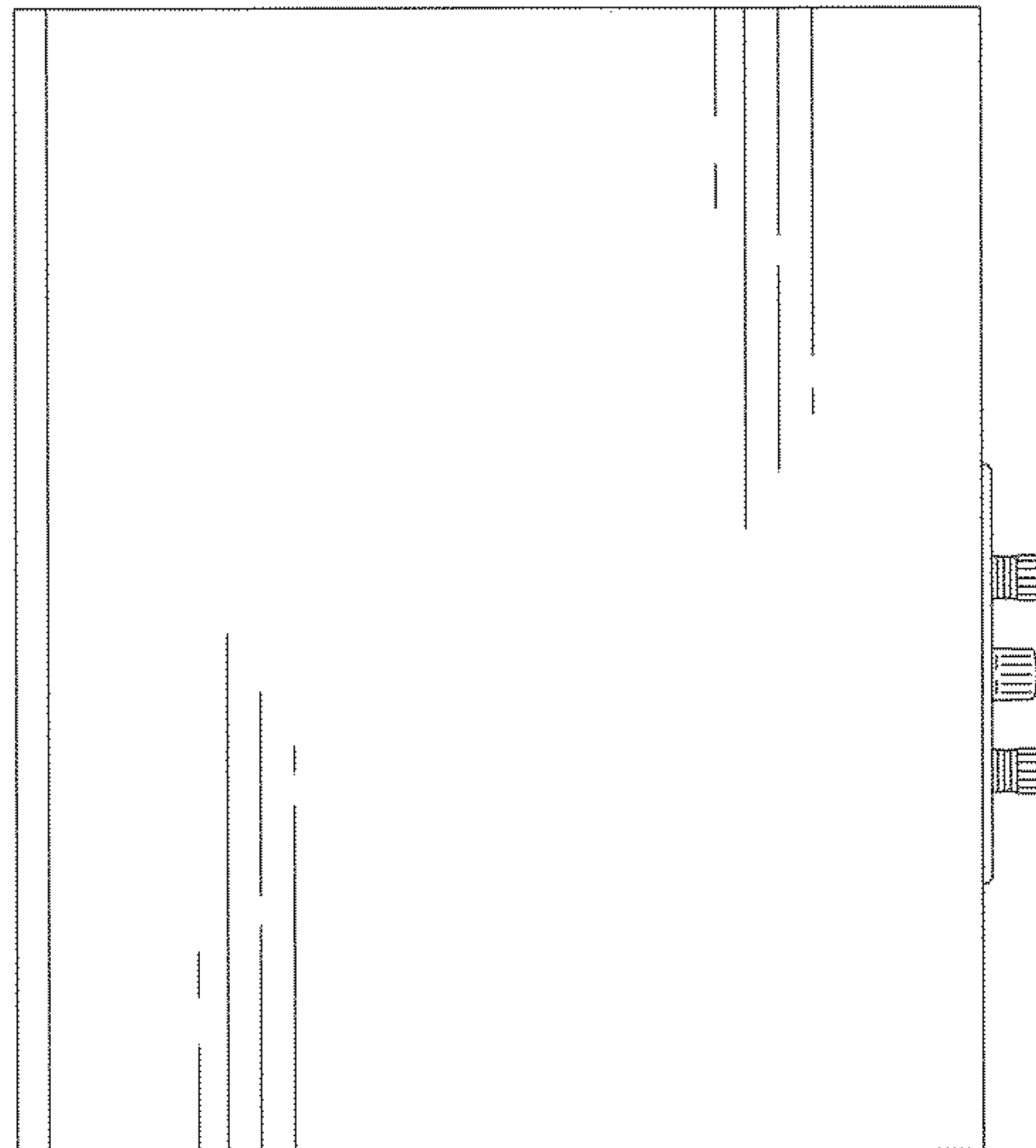


FIG. 4

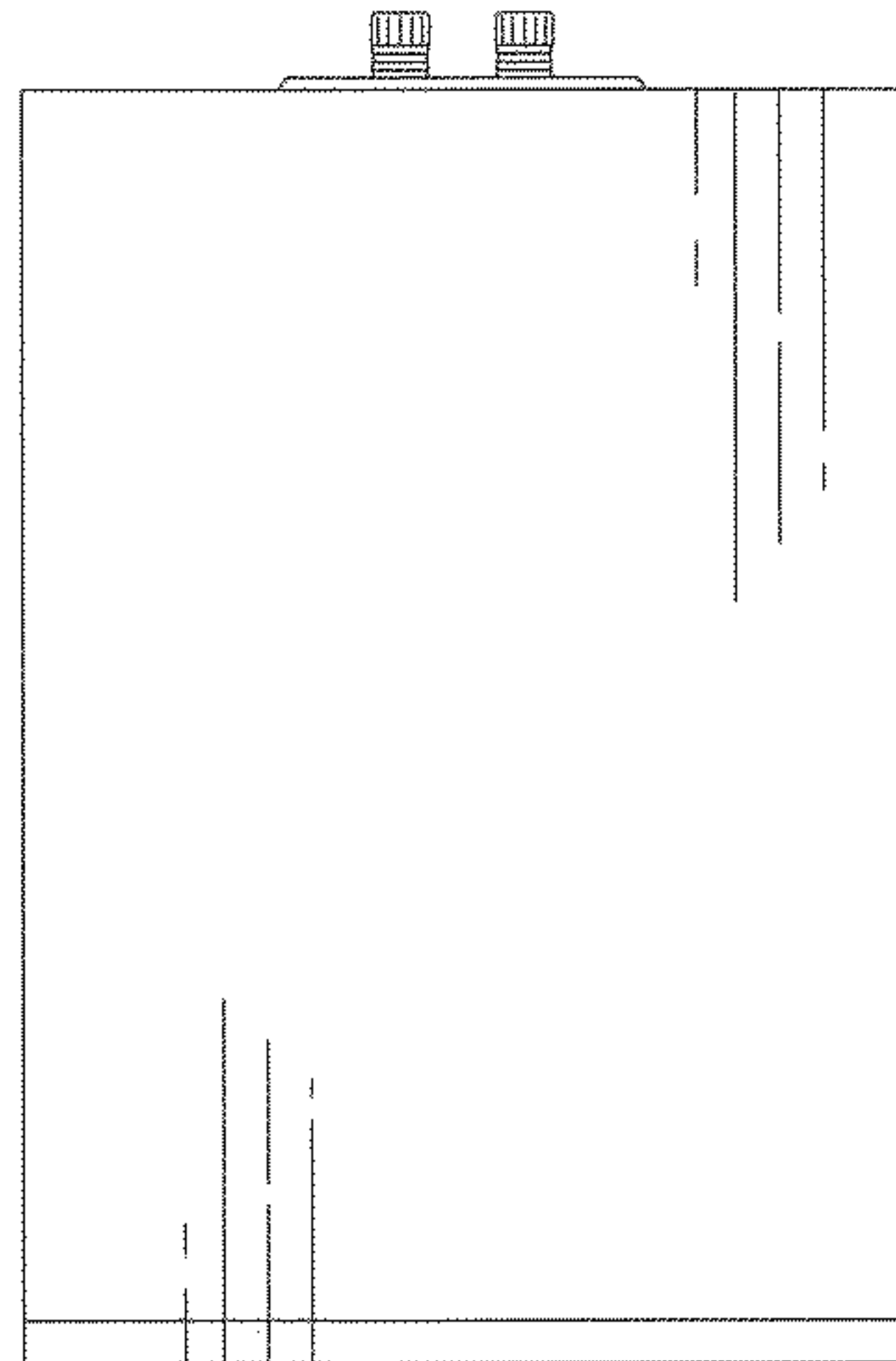


FIG. 5

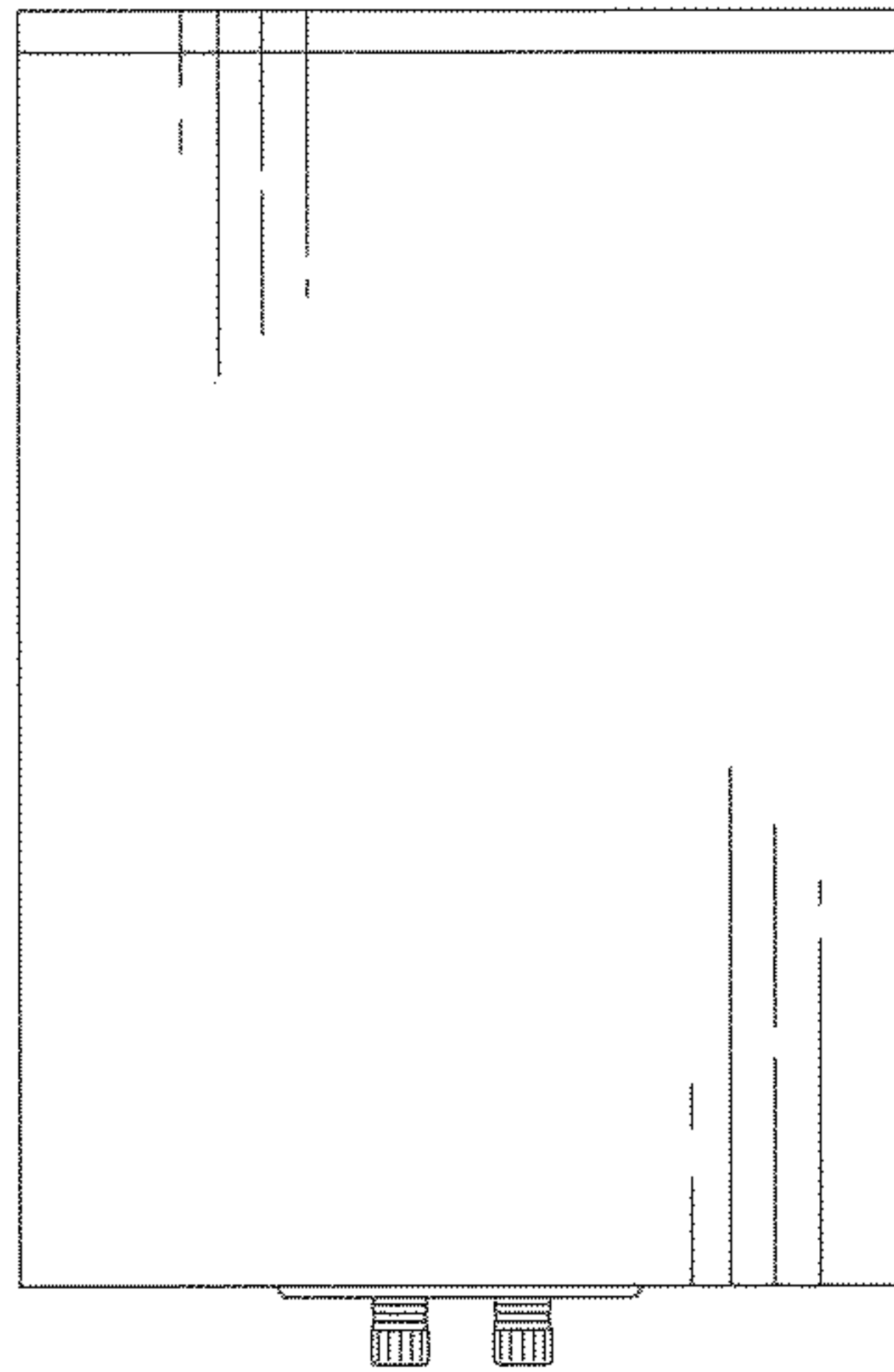


FIG. 6

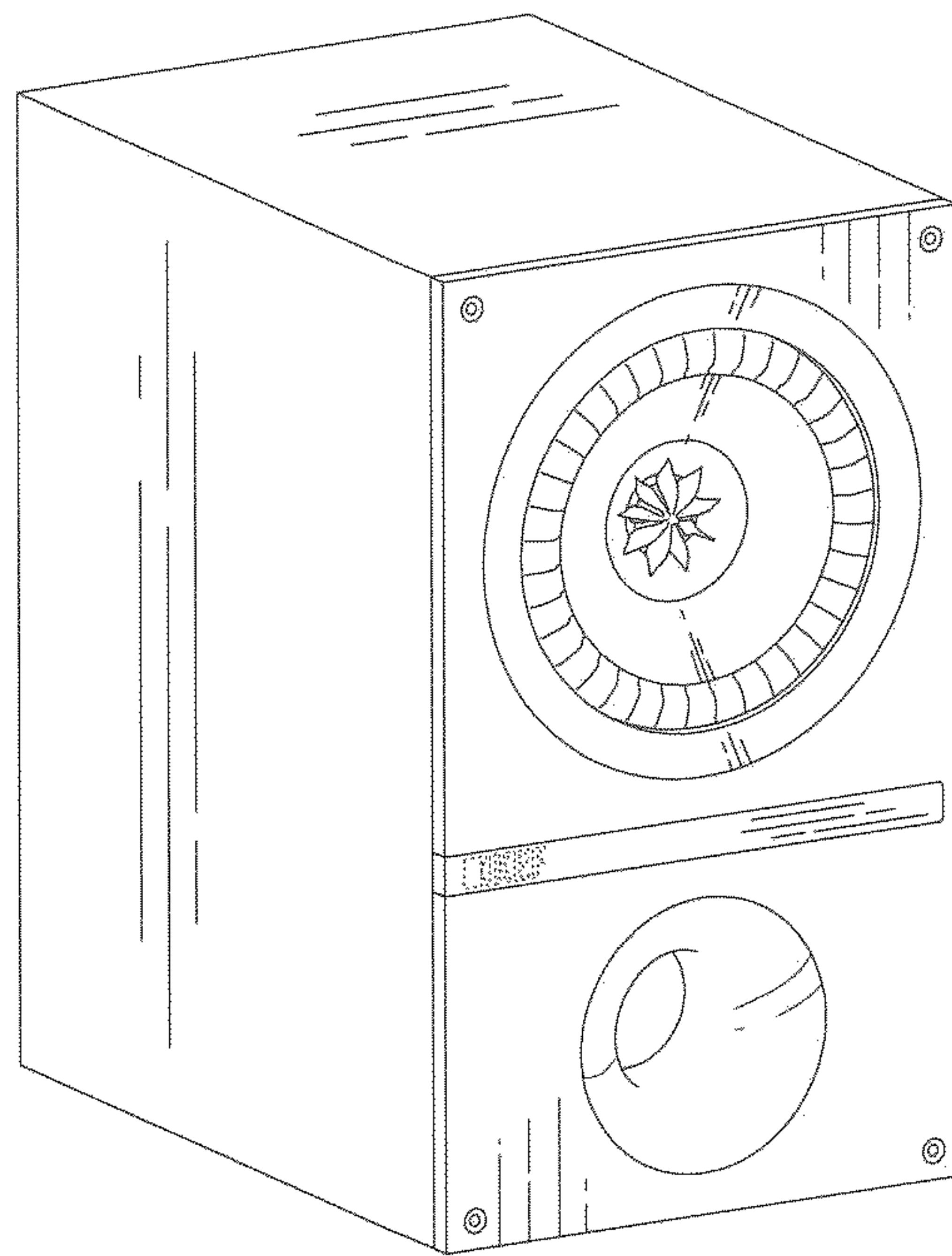


FIG. 7



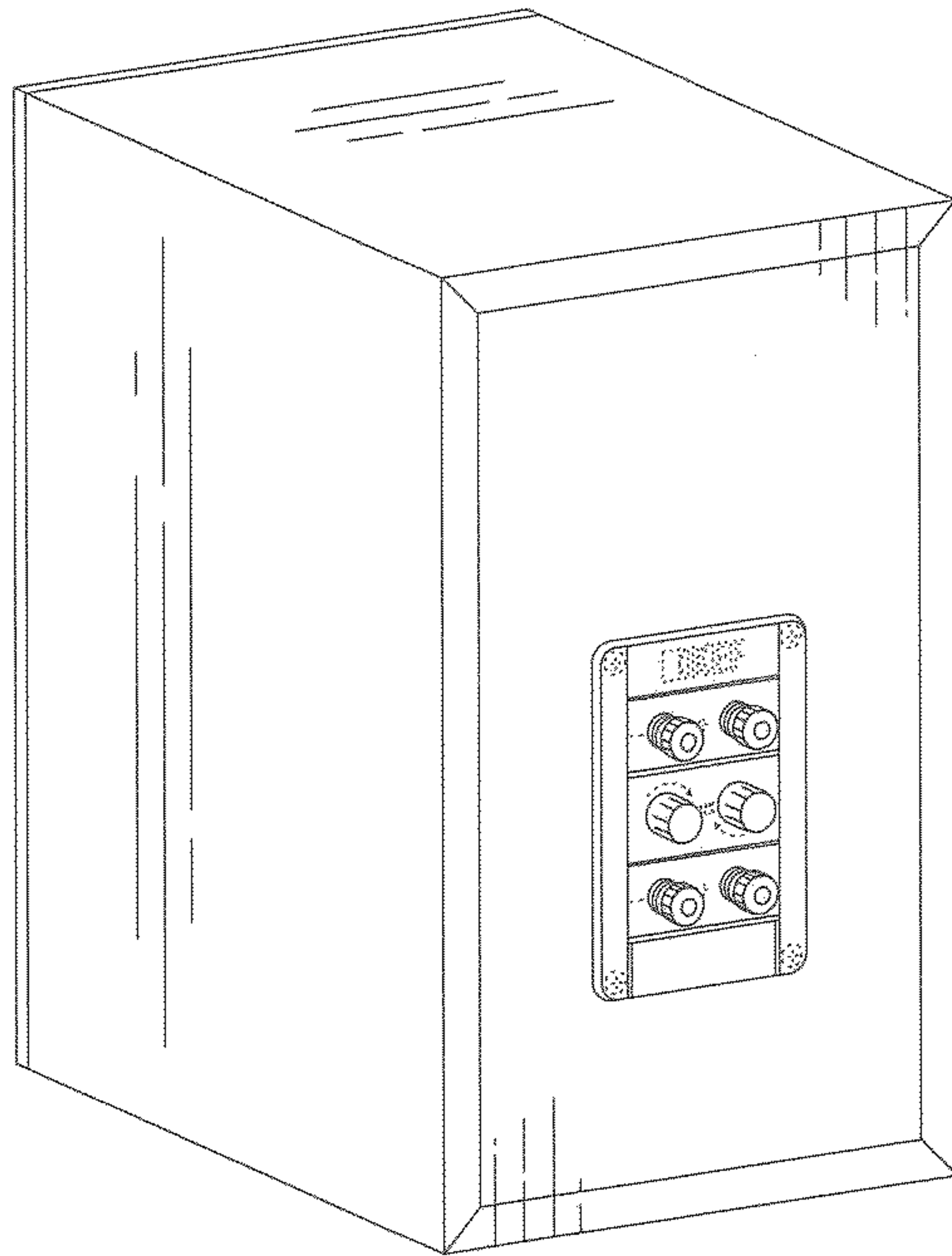


FIG. 8