



US00D680097S

(12) **United States Design Patent**
Davies et al.

(10) **Patent No.:** **US D680,097 S**
(45) **Date of Patent:** **** Apr. 16, 2013**

- (54) **LOUDSPEAKER**
- (71) Applicant: **GP Acoustics International Limited**,
Kwai Chung (HK)
- (72) Inventors: **John Simon Davies**, Hong Kong (HK);
Hung Yan Ho, Hong Kong (HK);
Jonathon Parry Jones, Denbigshire
(GB)
- (73) Assignee: **GP Acoustics International Limited**,
Kwai Chung (HK)
- (**) Term: **14 Years**
- (21) Appl. No.: **29/433,369**
- (22) Filed: **Sep. 28, 2012**

5,637,840 A *	6/1997	Kim	181/152
5,875,255 A	2/1999	Campbell	
5,933,509 A	8/1999	Wu	
D449,036 S *	10/2001	Weikel et al.	D14/215
6,561,311 B2	5/2003	Chaung	
D485,259 S	1/2004	Allen	
D486,474 S	2/2004	Allen	
D494,565 S	8/2004	Yao	
D507,790 S	7/2005	Dayan	
D531,617 S *	11/2006	Rozier	D14/215
D576,150 S	9/2008	Lim et al.	
D588,107 S	3/2009	Khoo et al.	
D597,531 S	8/2009	Cho	
D623,168 S *	9/2010	Chen	D14/215
D624,048 S *	9/2010	Kim	D14/215
D638,402 S *	5/2011	Hoehn	D14/215
D643,021 S *	8/2011	Khoo et al.	D14/215
D645,450 S	9/2011	Chen	
D664,122 S *	7/2012	Cho et al.	D14/215

* cited by examiner

Related U.S. Application Data

- (62) Division of application No. 29/398,173, filed on Jul. 27, 2011.
- (51) **LOC (9) Cl.** **14-01**
- (52) **U.S. Cl.**
USPC **D14/215; D14/204; D14/210**
- (58) **Field of Classification Search** D14/204,
D14/218, 172, 210–216; 181/143, 147, 148,
181/150, 153, 157, 198, 199, 166, 144;
381/300–303, 306, 332, 333, 336, 345, 361–364,
381/370, 386–388
See application file for complete search history.

(56) **References Cited**

U.S. PATENT DOCUMENTS

3,135,349 A *	6/1964	Lahti	381/341
3,982,607 A *	9/1976	Evans	181/152
4,031,337 A *	6/1977	Okamura et al.	381/340
4,214,645 A	7/1980	Plourde	
4,482,026 A *	11/1984	Stehlin, Jr.	181/152
4,805,729 A *	2/1989	Wascom	181/144
4,940,108 A	7/1990	Selby	

Primary Examiner — Prabhakar Deshmukh

(74) *Attorney, Agent, or Firm* — Pearne & Gordon LLP

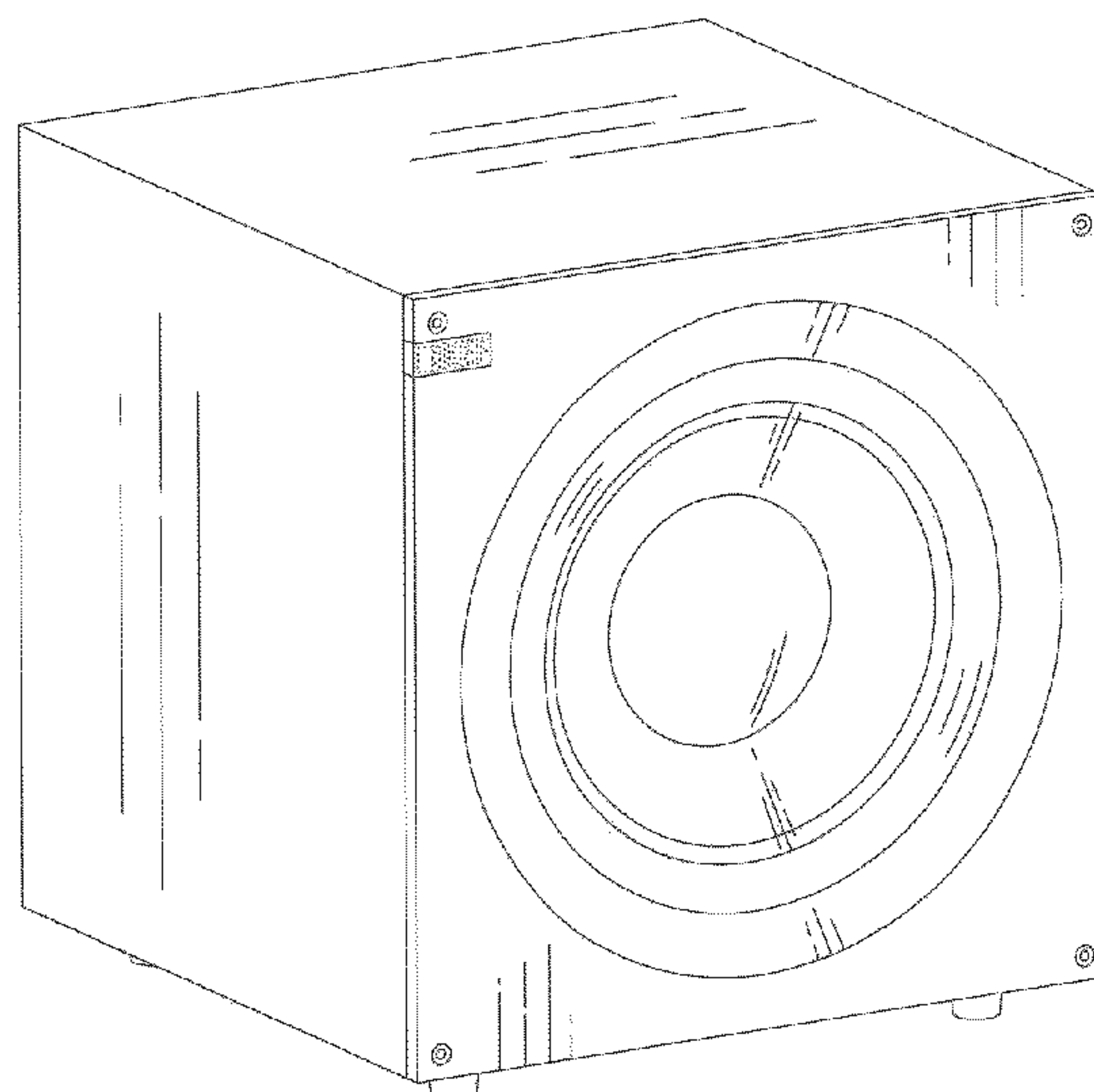
(57) **CLAIM**

The ornamental design for a loudspeaker, as shown and described.

DESCRIPTION

FIG. 1 is a front view of a loudspeaker showing our new design;
 FIG. 2 is a rear view thereof;
 FIG. 3 is a left side view thereof;
 FIG. 4 is a right side view thereof;
 FIG. 5 is a top plan view thereof;
 FIG. 6 is a bottom plan view thereof;
 FIG. 7 is a front perspective view thereof; and,
 FIG. 8 is a rear perspective view thereof.
 The broken line showing on the drawing disclosure is for illustrative purposes only and forms no part of the claimed design.

1 Claim, 8 Drawing Sheets



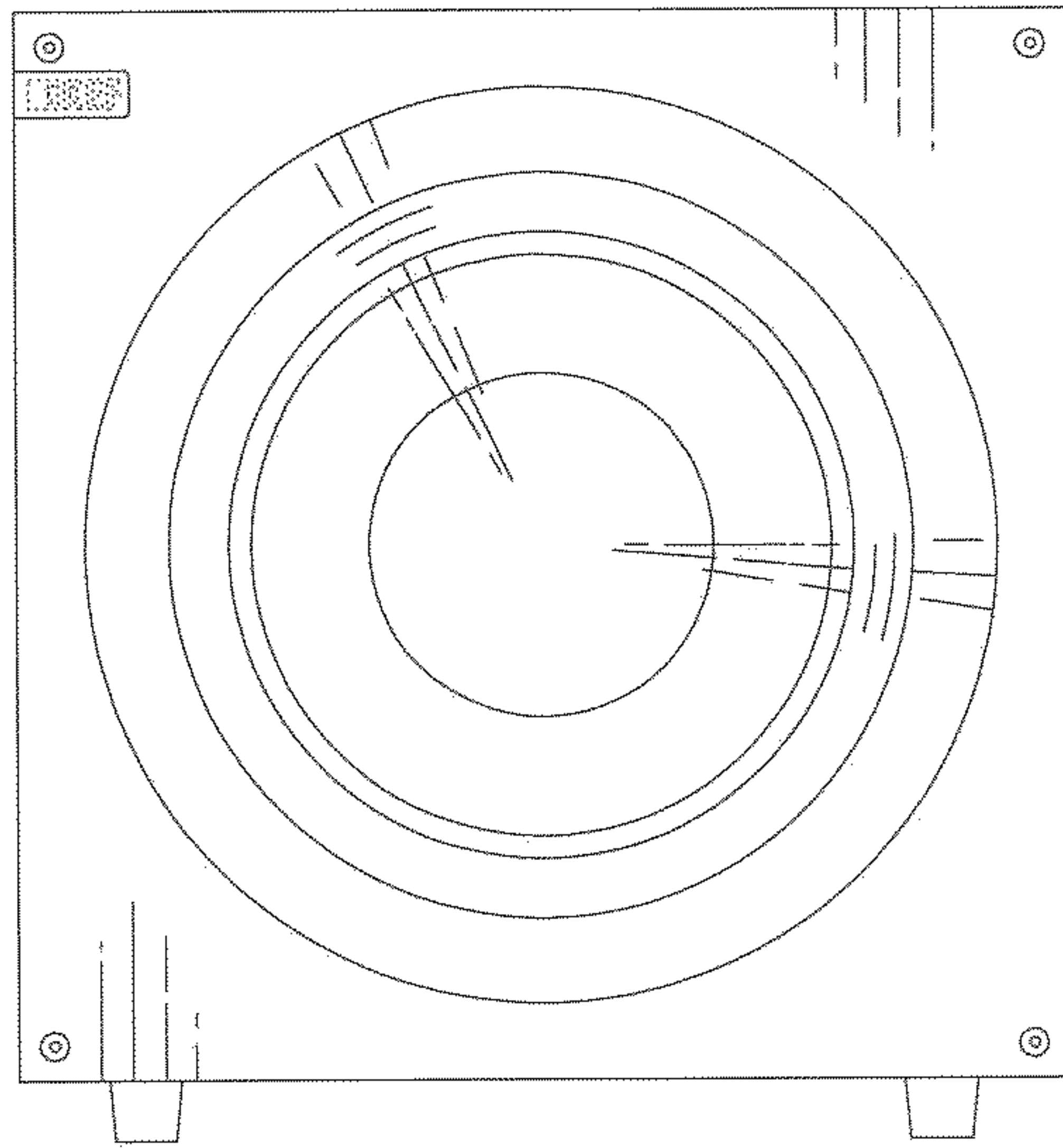


FIG. 1

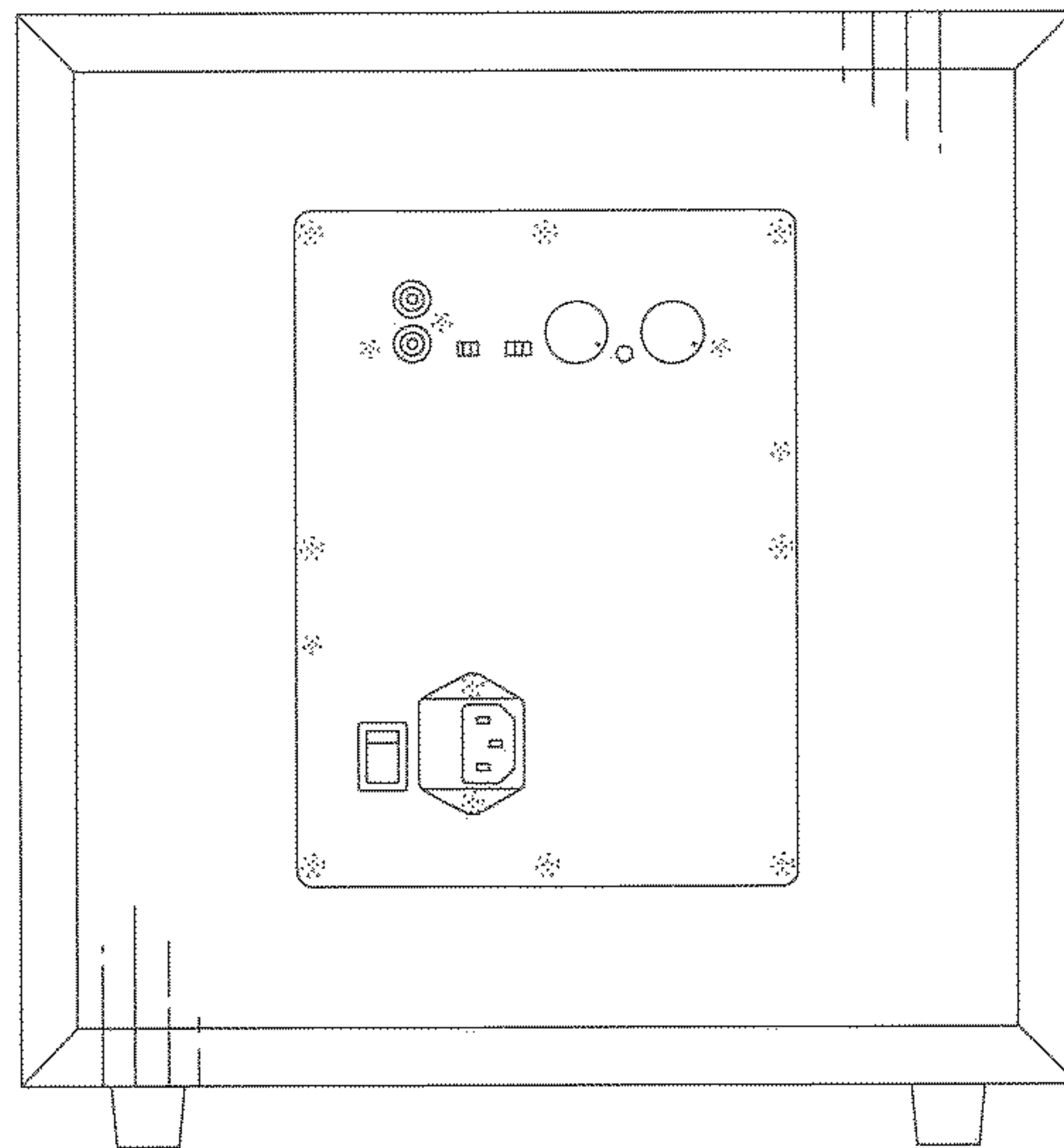


FIG. 2

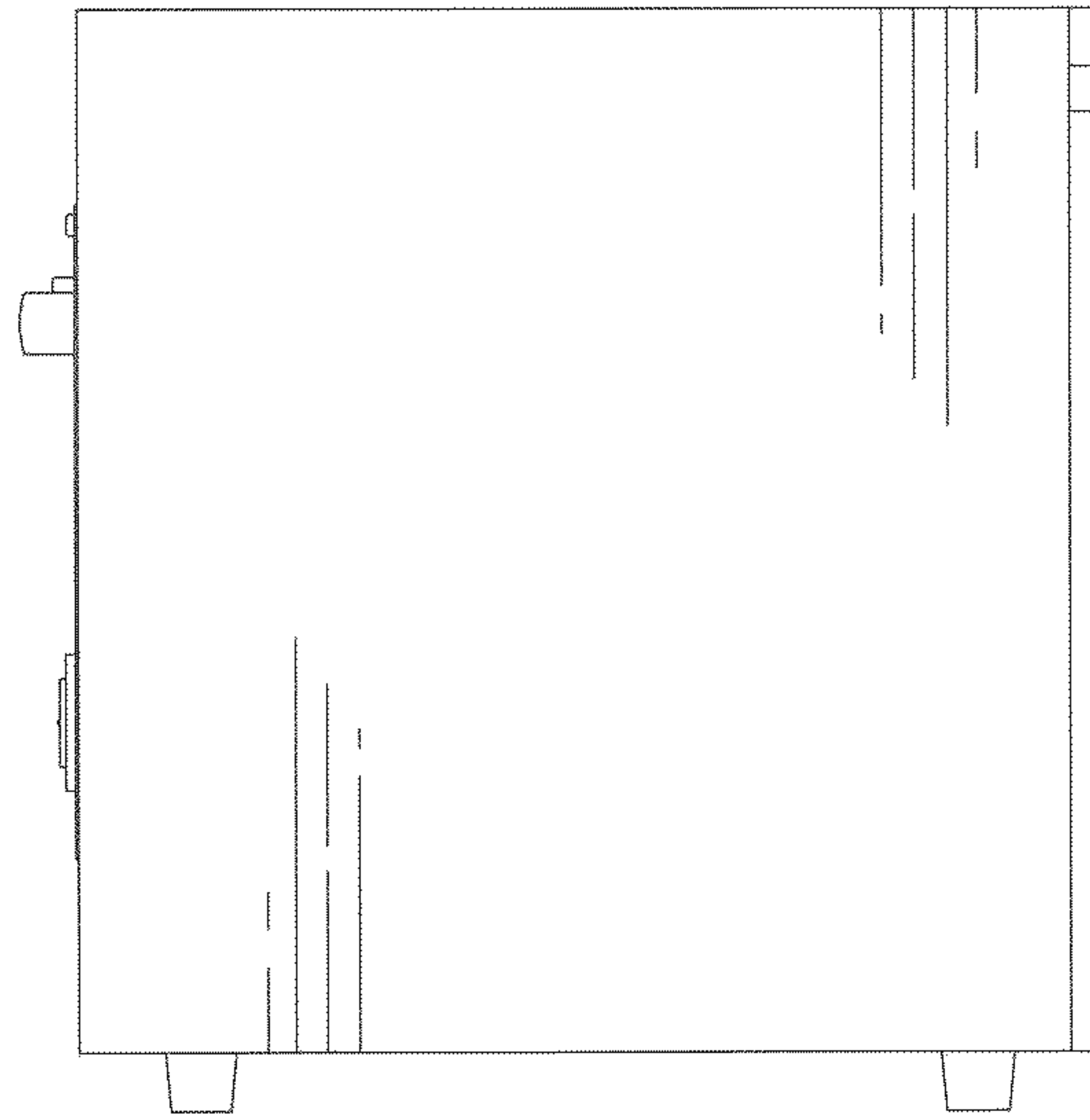


FIG. 3

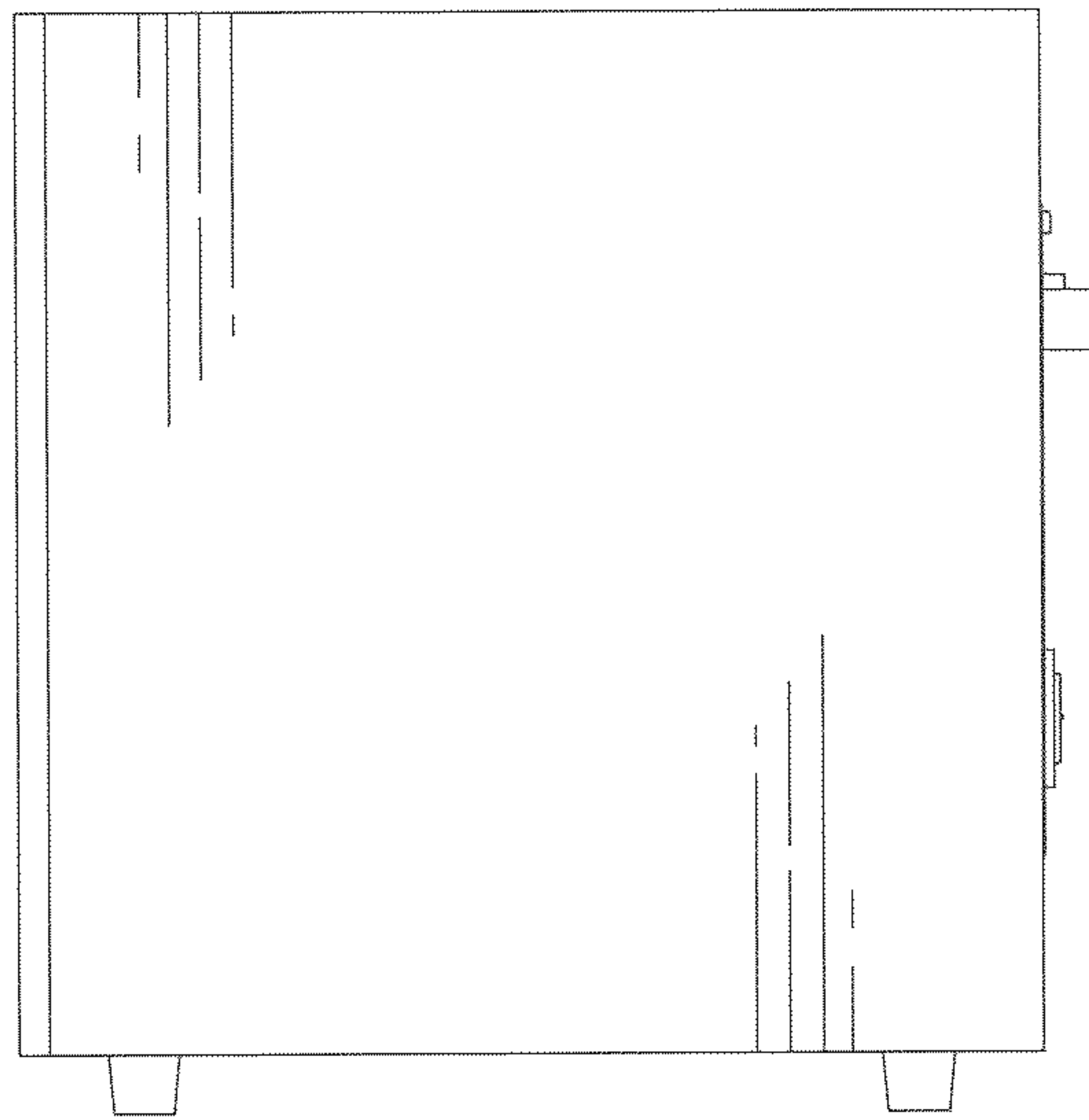


FIG. 4

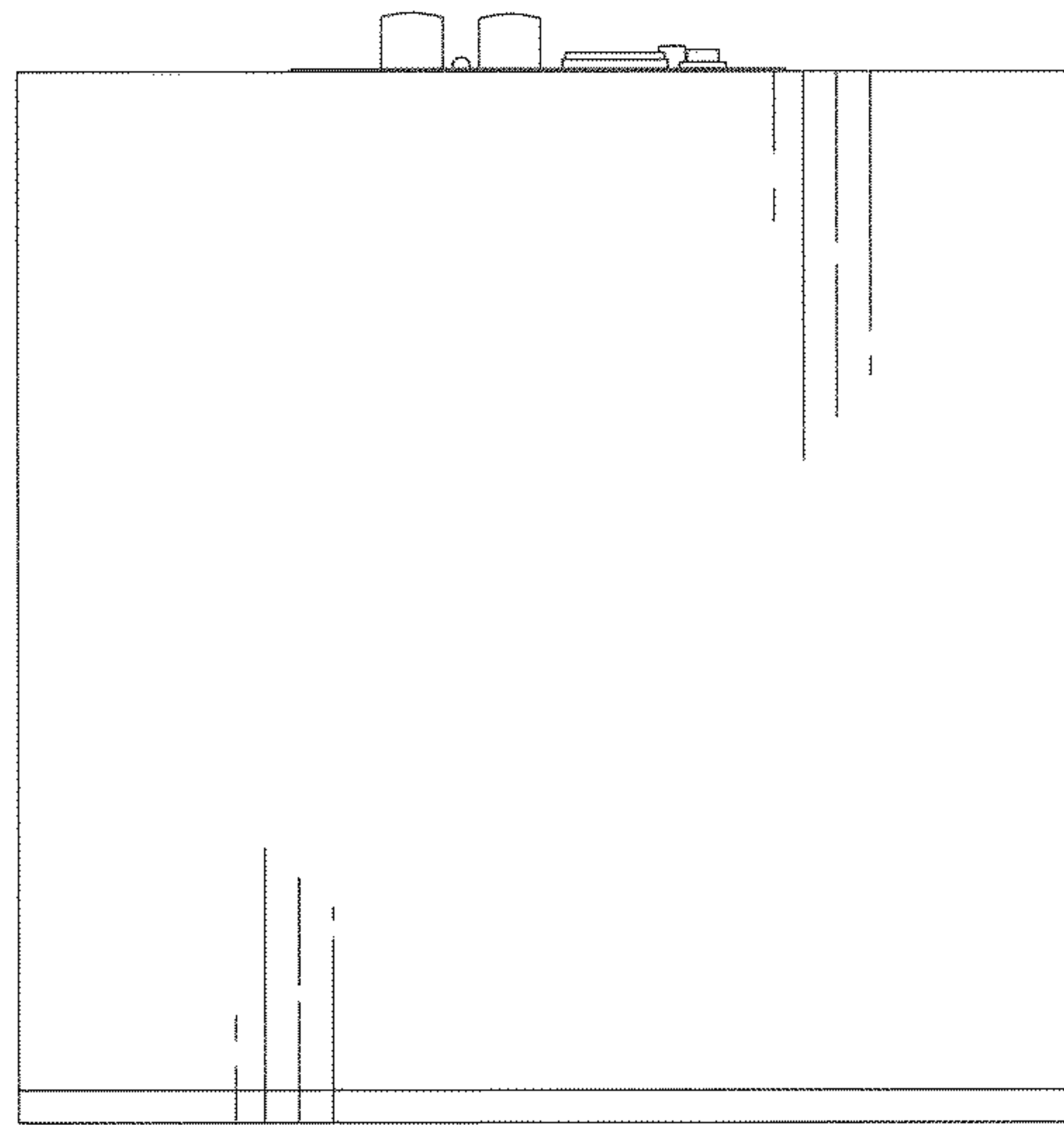


FIG. 5

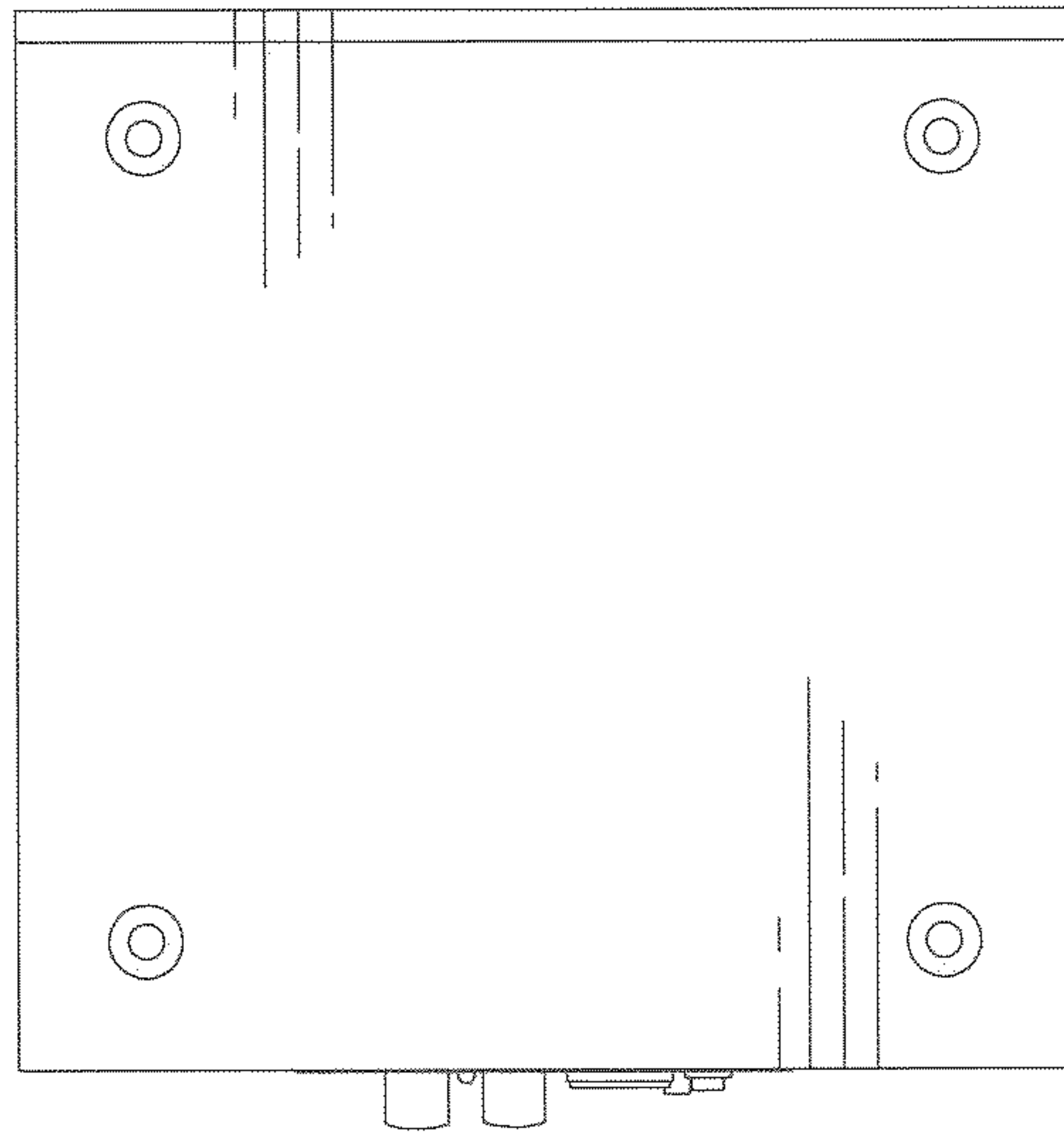


FIG. 6

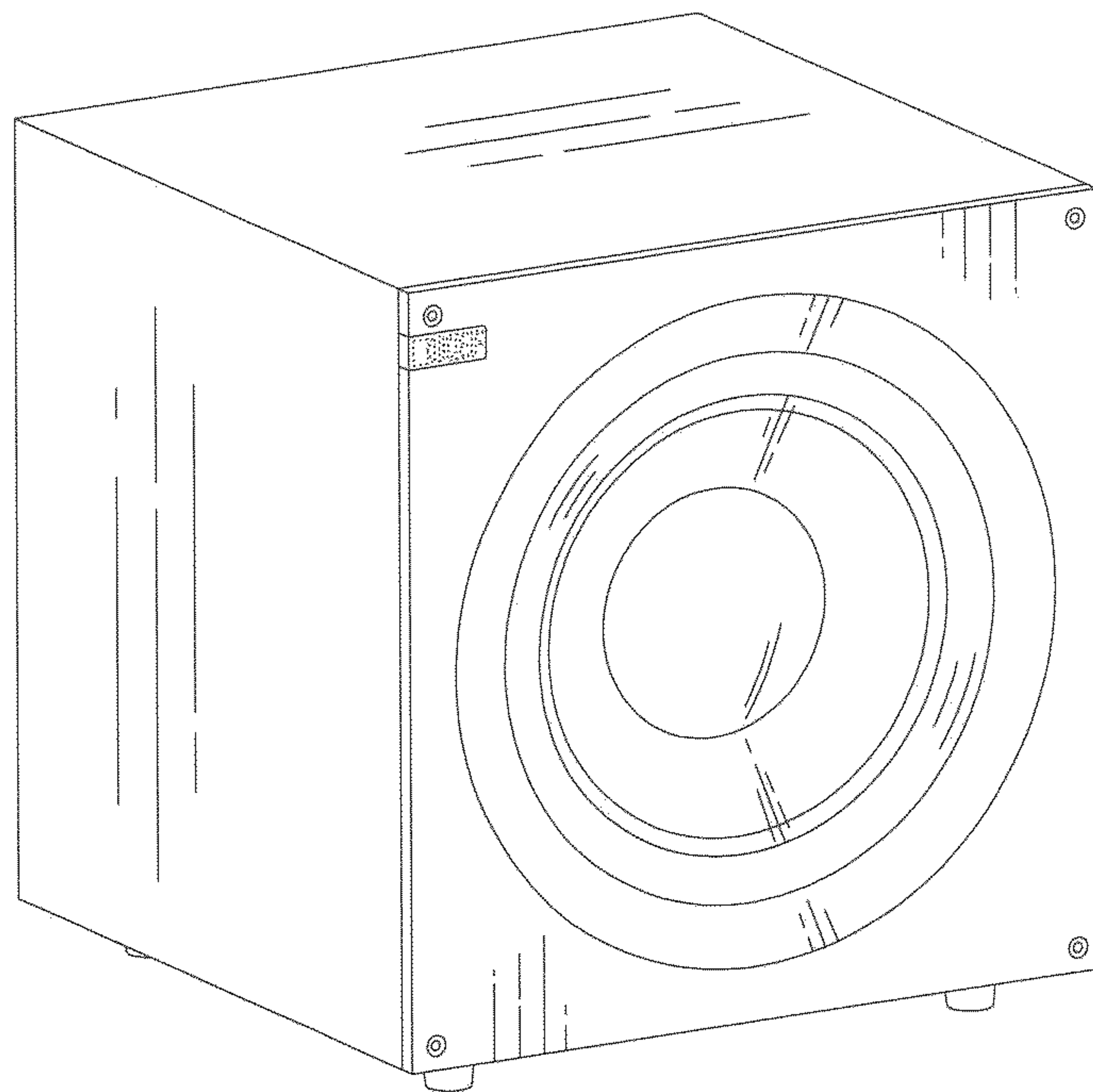


FIG. 7

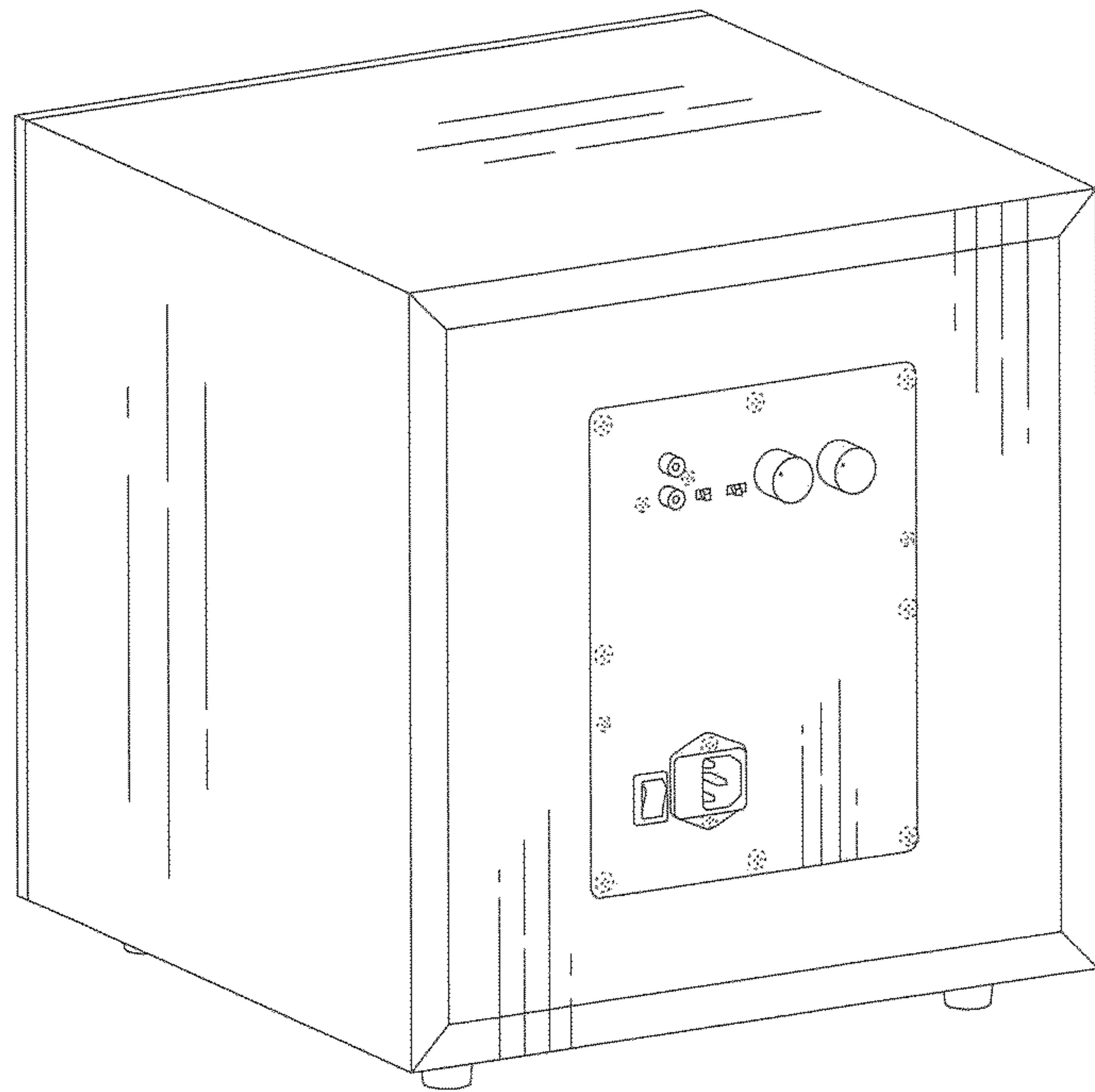


FIG. 8