



US00D680096S

(12) **United States Design Patent**  
**Ryu et al.**

(10) **Patent No.:** **US D680,096 S**  
(45) **Date of Patent:** **\*\* Apr. 16, 2013**

(54) **SPEAKER FOR HOME THEATER**  
(75) Inventors: **Junghan Ryu**, Seoul (KR); **Banhee Lee**, Seoul (KR); **Hyunbyung Cha**, Seoul (KR)  
(73) Assignee: **LG Electronics Inc.**, Seoul (KR)  
(\*\*) Term: **14 Years**

(21) Appl. No.: **29/400,133**  
(22) Filed: **Aug. 24, 2011**

(30) **Foreign Application Priority Data**  
Mar. 3, 2011 (KR) ..... 30-2011-0008580  
(51) **LOC (9) Cl.** ..... **14-03**  
(52) **U.S. Cl.**  
USPC ..... **D14/214; 211/213**  
(58) **Field of Classification Search** ..... D14/167, D14/172, 194-196, 204, 207, 209.1, 210-216, D14/221, 222; 181/143, 144, 147, 148, 150, 181/153, 157, 198, 199; 381/300-303, 306, 381/332, 333, 336, 345, 361-364, 386-388  
See application file for complete search history.

(56) **References Cited**  
U.S. PATENT DOCUMENTS  
D65,592 S \* 9/1924 Morris ..... D14/213  
D368,710 S \* 4/1996 Althans ..... D14/214  
D420,358 S \* 2/2000 Warren ..... D14/214  
D451,494 S \* 12/2001 Oikawa ..... D14/214

D485,258 S \* 1/2004 Allen ..... D14/215  
D486,474 S \* 2/2004 Allen ..... D14/215  
D489,360 S \* 5/2004 Yang ..... D14/216  
D496,349 S \* 9/2004 Allen ..... D14/211  
D540,306 S \* 4/2007 Han ..... D14/211  
D565,539 S \* 4/2008 Kim et al. .... D14/211  
D576,150 S \* 9/2008 Lim et al. .... D14/211  
D588,576 S \* 3/2009 Son et al. .... D14/211  
D645,448 S \* 9/2011 Kim et al. .... D14/211

\* cited by examiner

*Primary Examiner* — Stella Reid

*Assistant Examiner* — Keli L Hill

(74) *Attorney, Agent, or Firm* — Birch, Stewart, Kolasch & Birch, LLP

(57) **CLAIM**  
The ornamental design for a speaker for home theater, as shown and described.

**DESCRIPTION**

FIG. 1 is a perspective view of a speaker for home theater showing our new design;  
FIG. 2 is a front view thereof;  
FIG. 3 is a rear view thereof;  
FIG. 4 is a left side view thereof where the right side view is a mirror image;  
FIG. 5 is a top plan view thereof;  
FIG. 6 is a bottom plan view thereof; and,  
FIG. 7 is a perspective view showing the state in which the upper part thereof has been detached and then can be used in a separate place.

**1 Claim, 6 Drawing Sheets**

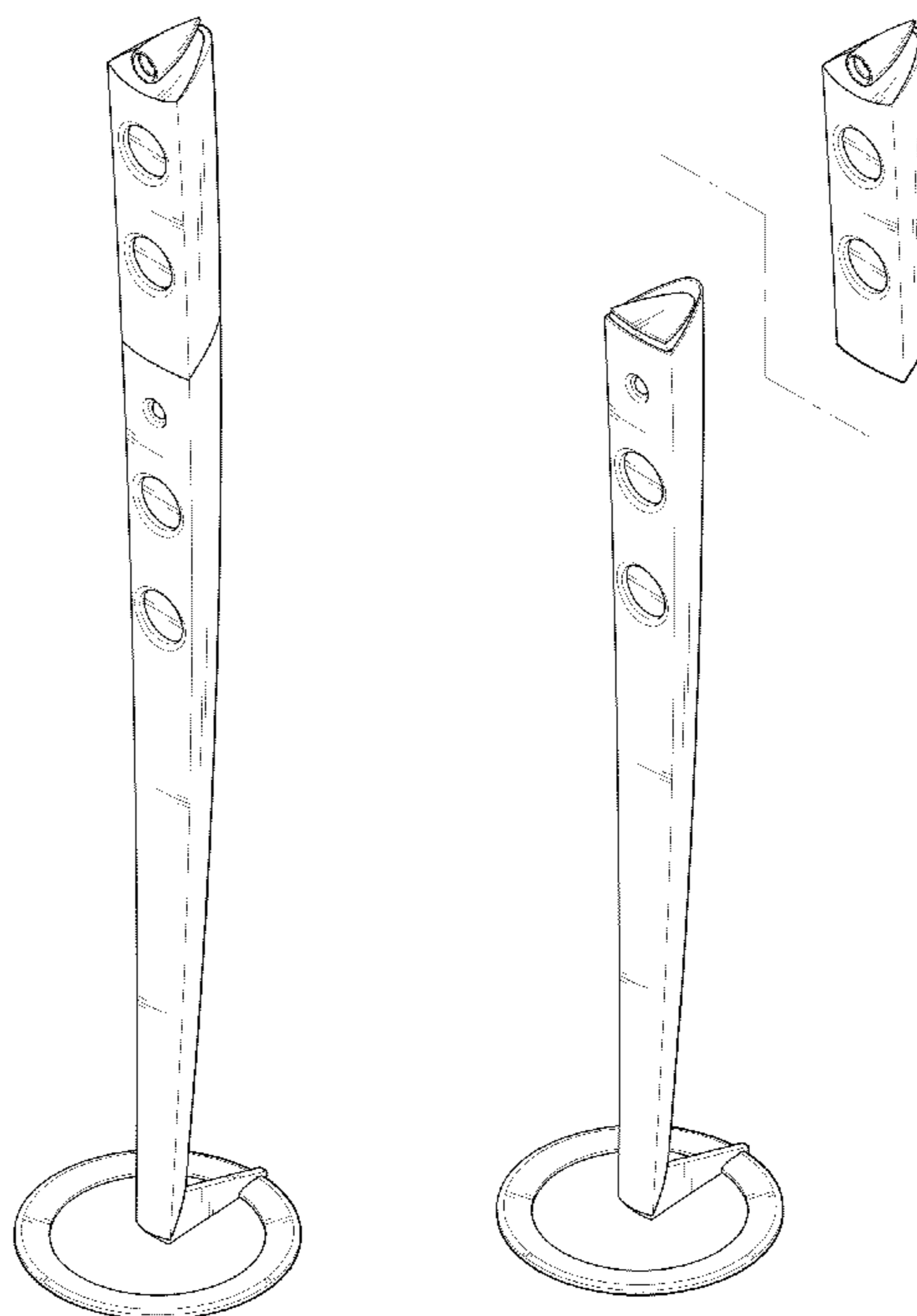


FIG. 1

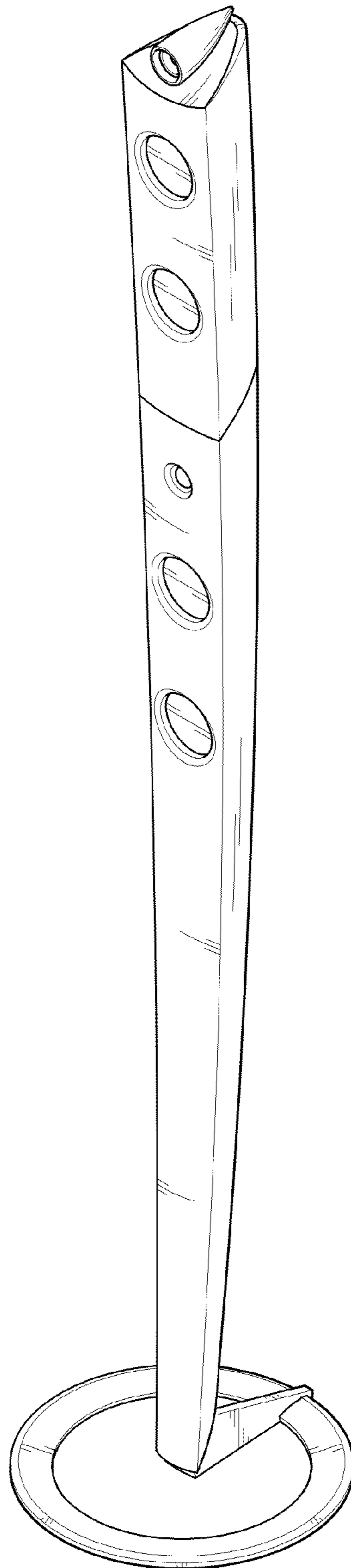


FIG. 2

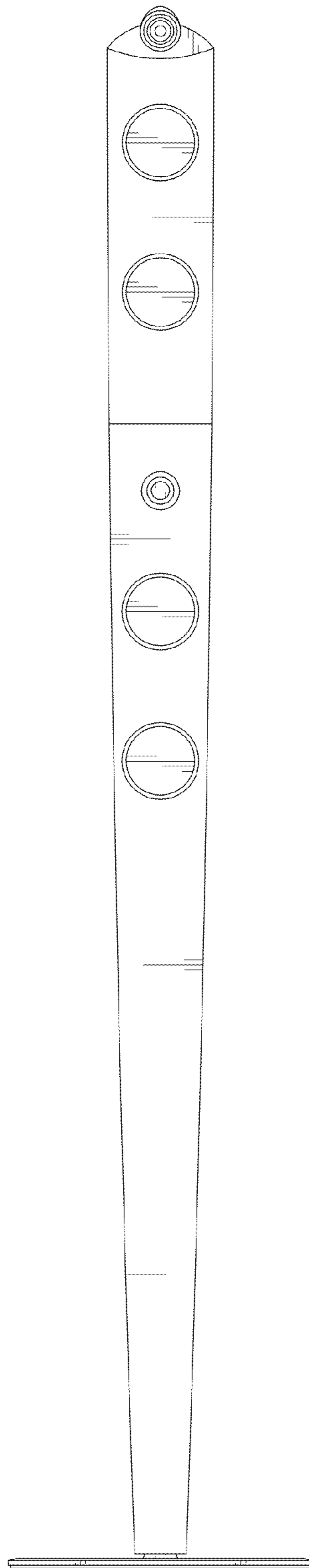


FIG. 3

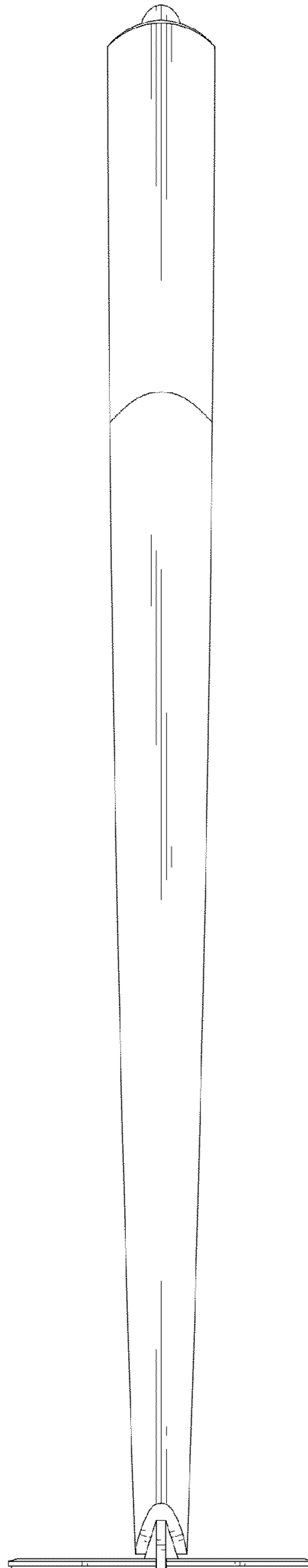


FIG. 4

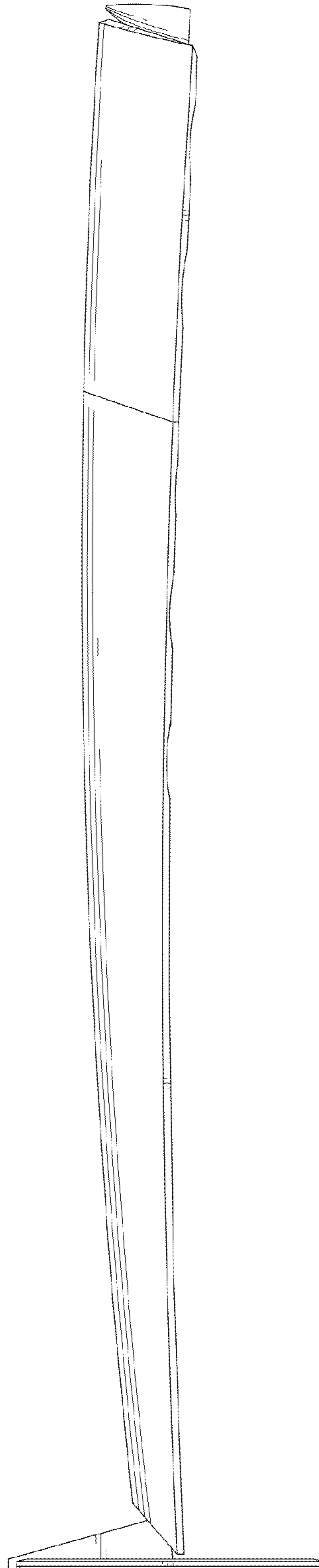


FIG. 5

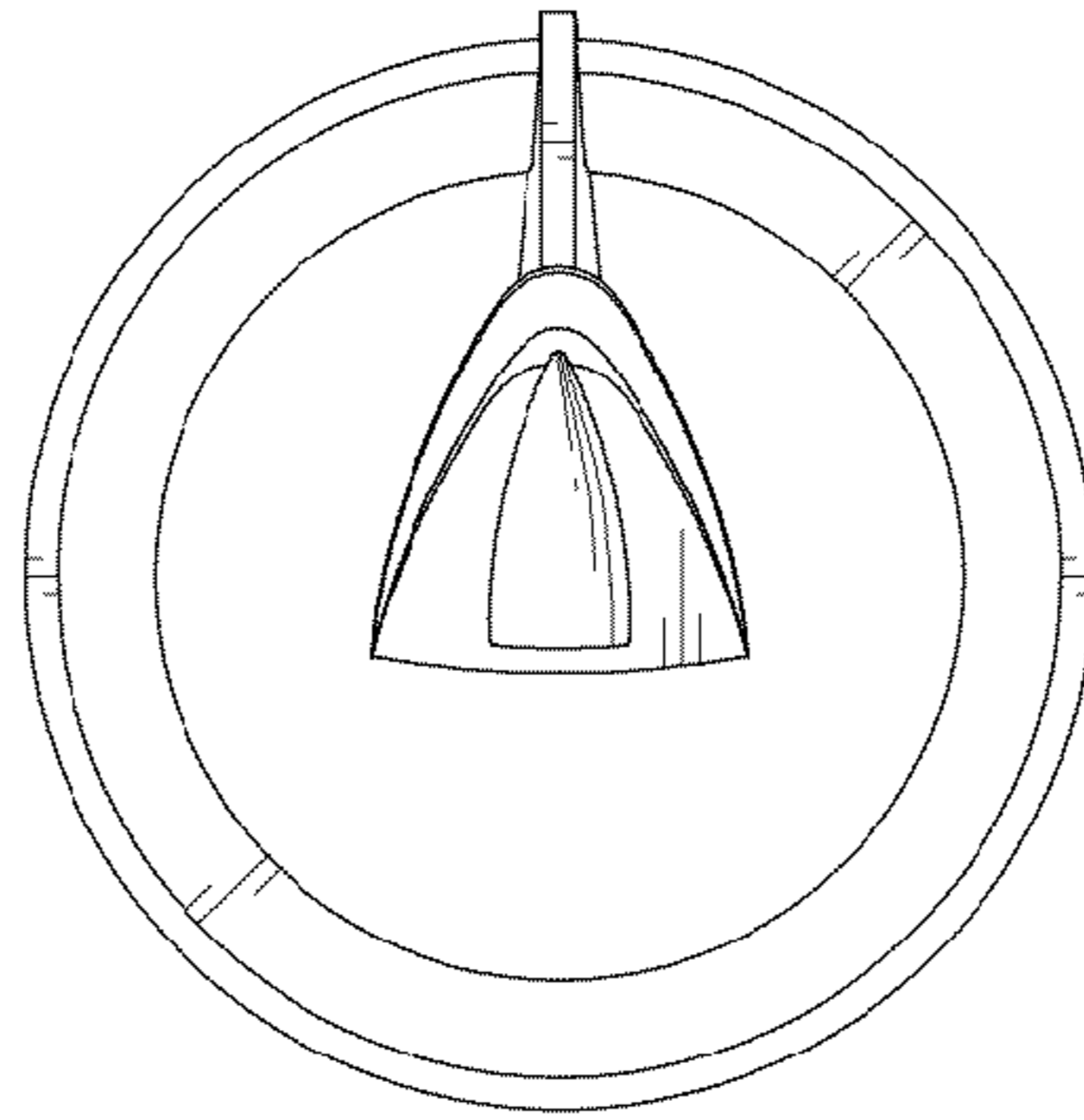


FIG. 6

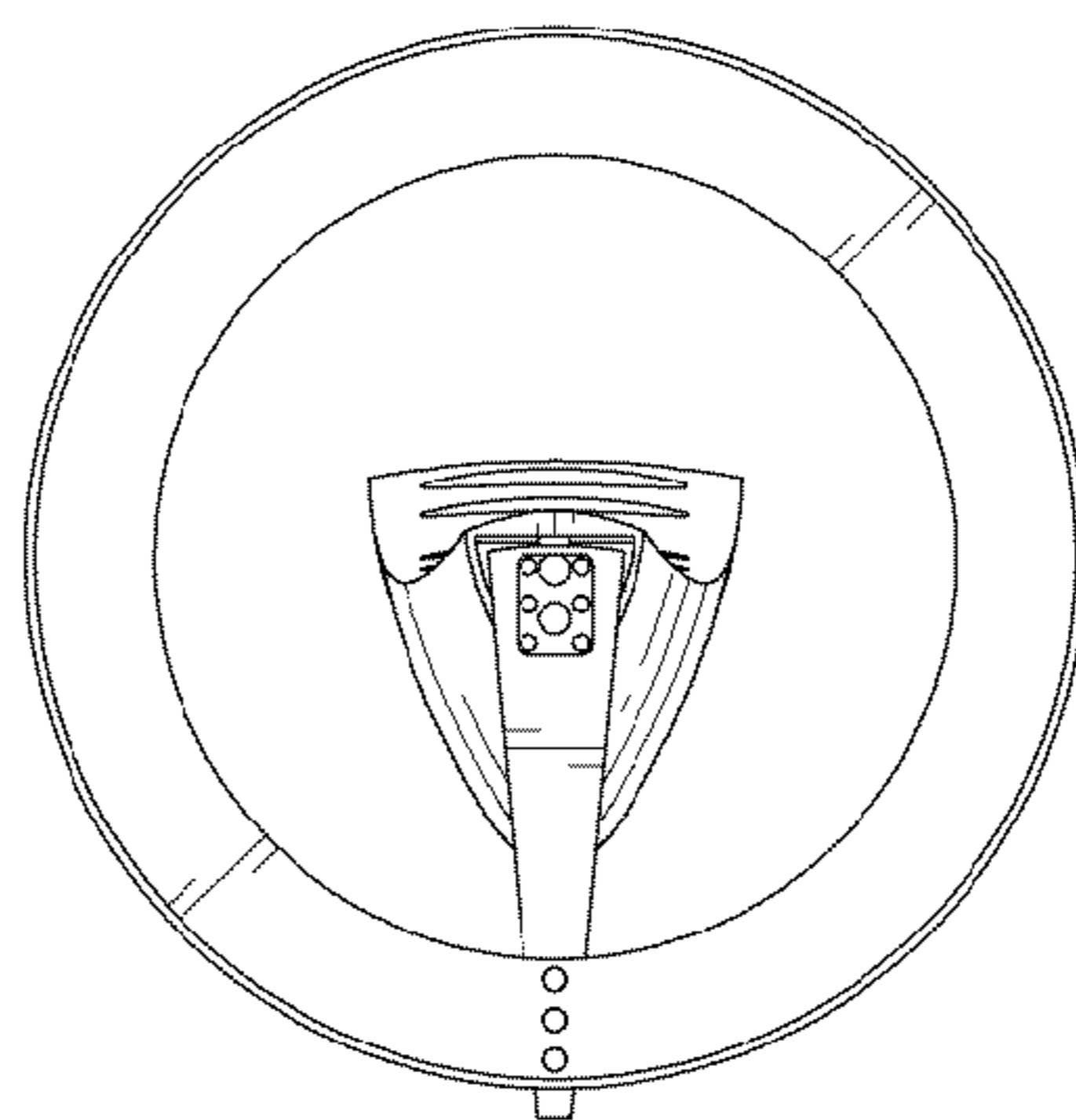


FIG. 7

