



US00D680094S

(12) **United States Design Patent**  
**Kanou**

(10) **Patent No.:** **US D680,094 S**

(45) **Date of Patent:** **\*\* Apr. 16, 2013**

(54) **DIGITAL AUDIO DISC PLAYER FOR  
AUTOMOBILE**

(75) Inventor: **Kenichi Kanou**, Kanagawa (JP)

(73) Assignee: **JVC Kenwood Corporation**, Kanagawa  
(JP)

(\*\*) Term: **14 Years**

(21) Appl. No.: **29/422,137**

(22) Filed: **May 17, 2012**

(30) **Foreign Application Priority Data**

Dec. 28, 2011 (JP) ..... 2011-030510

(51) **LOC (9) Cl.** ..... **14-03**

(52) **U.S. Cl.**  
USPC ..... **D14/157; D14/258**

(58) **Field of Classification Search** ..... D14/131,  
D14/132, 137, 155, 157, 168-171, 188, 194,  
D14/197, 198, 239, 257, 258, 496, 498-508,  
D14/511; 455/90.1-90.3, 344-355; 369/6-12  
See application file for complete search history.

(56) **References Cited**

U.S. PATENT DOCUMENTS

D582,911 S \* 12/2008 Kimura et al. .... D14/258  
D593,989 S \* 6/2009 Endo et al. .... D14/157

D604,287 S \* 11/2009 Kimura et al. .... D14/258  
D611,059 S \* 3/2010 Sugita ..... D14/505  
D633,074 S \* 2/2011 Tomono ..... D14/157  
D637,993 S \* 5/2011 Yamamoto ..... D14/157  
D645,464 S \* 9/2011 Kimura ..... D14/257

\* cited by examiner

*Primary Examiner* — Keli L Hill

(74) *Attorney, Agent, or Firm* — Osha Liang LLP

(57) **CLAIM**

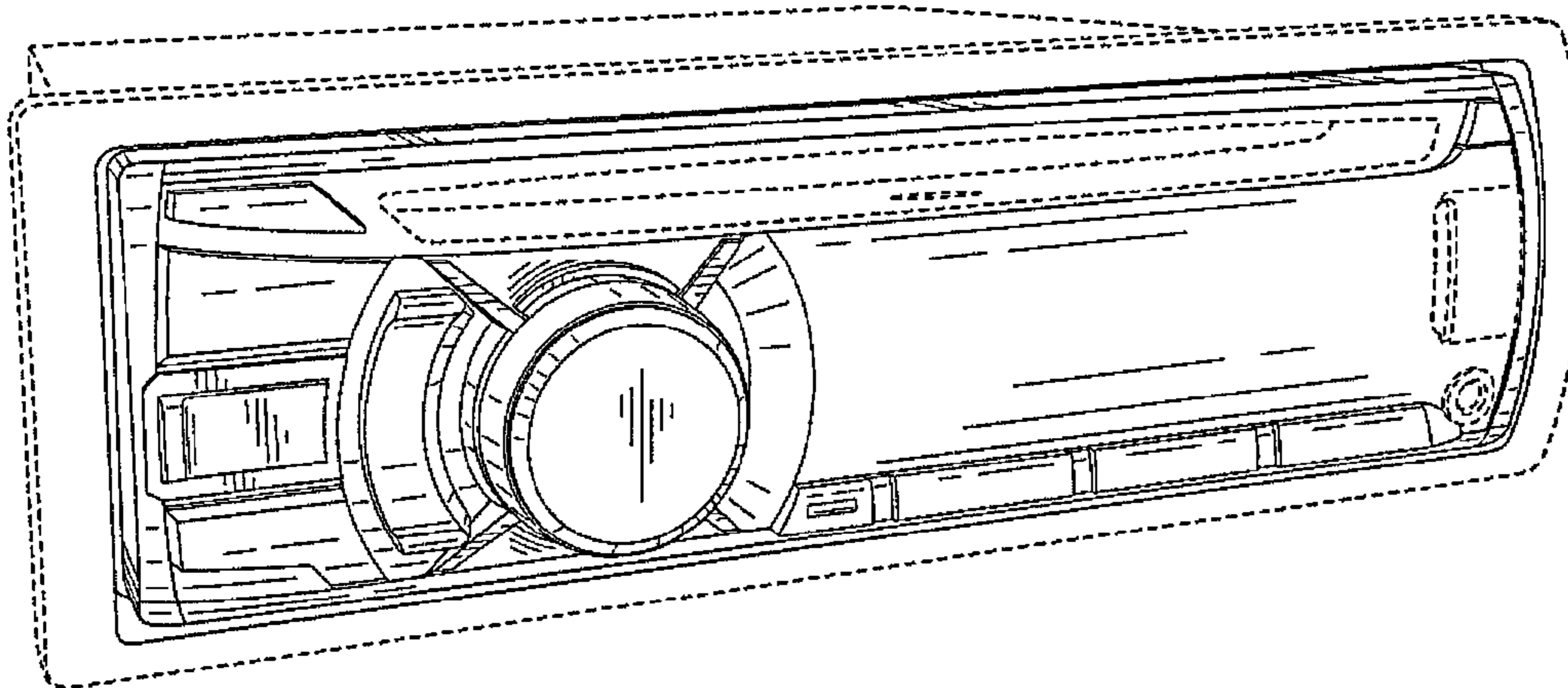
The ornamental design for digital audio disc player for automobile, as shown and described.

**DESCRIPTION**

FIG. 1 is a perspective view of front, left and top of a digital audio disc player for automobile showing my new design; FIG. 2 is a front view thereof; FIG. 3 is a rear view thereof; FIG. 4 is a left side view thereof; FIG. 5 is a right side view thereof; FIG. 6 is a top view thereof; and, FIG. 7 is a bottom view thereof.

The broken lines showing of the digital audio disc player for automobile is included for the purpose of illustrating portions of the digital audio disc player for automobile and forms no part of the claimed design.

**1 Claim, 4 Drawing Sheets**



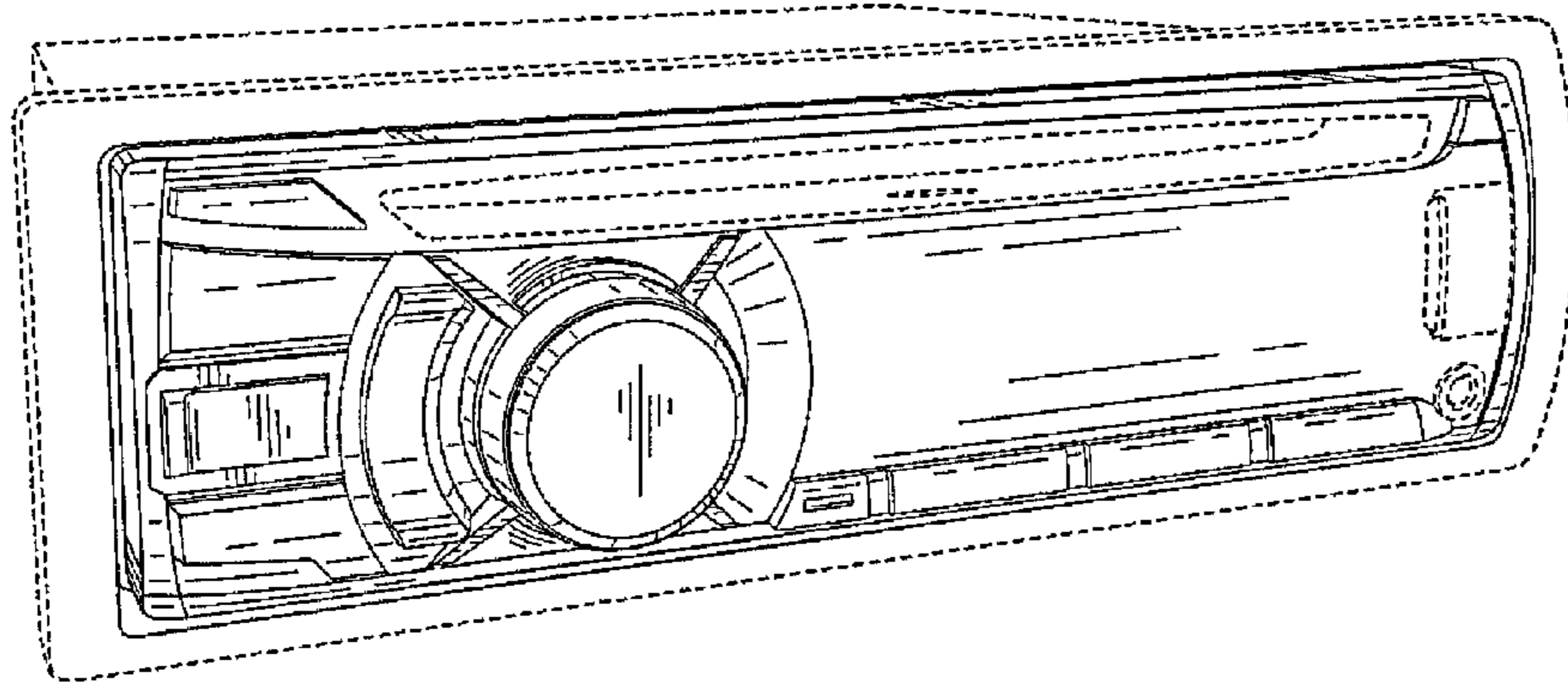


FIG. 1

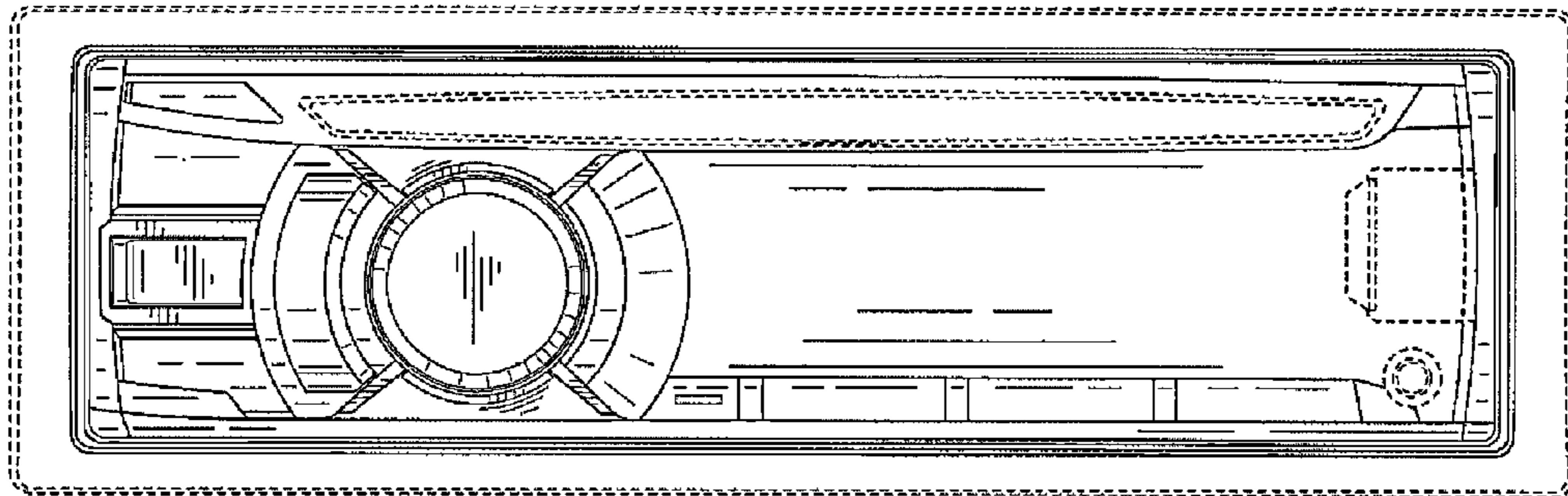


FIG. 2

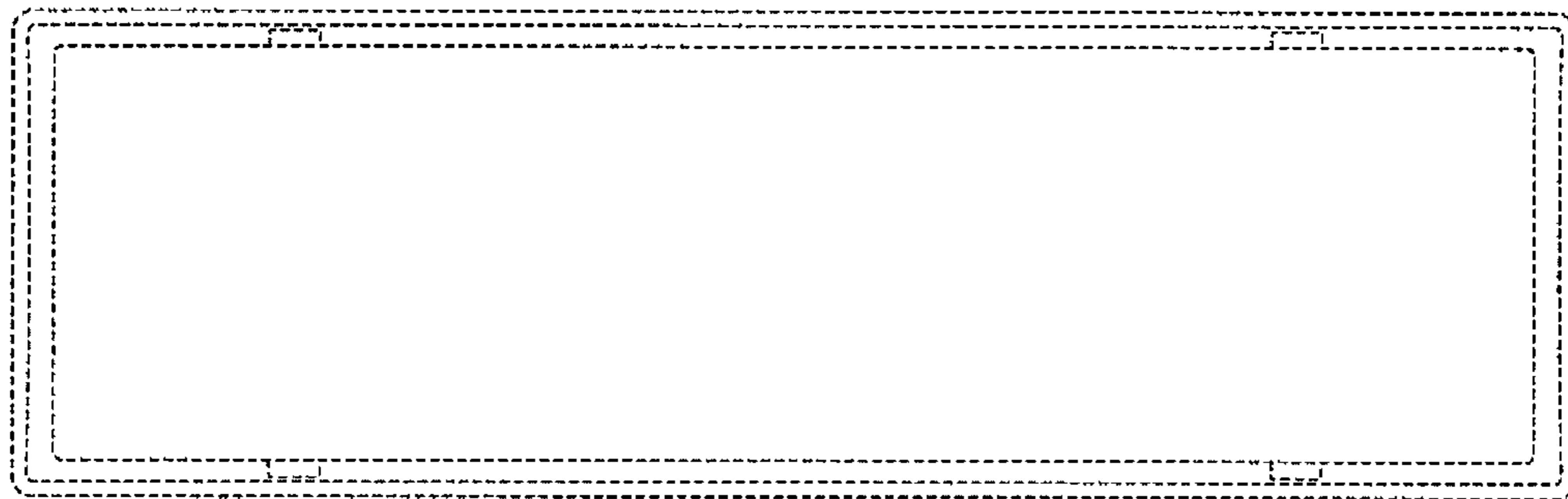


FIG. 3

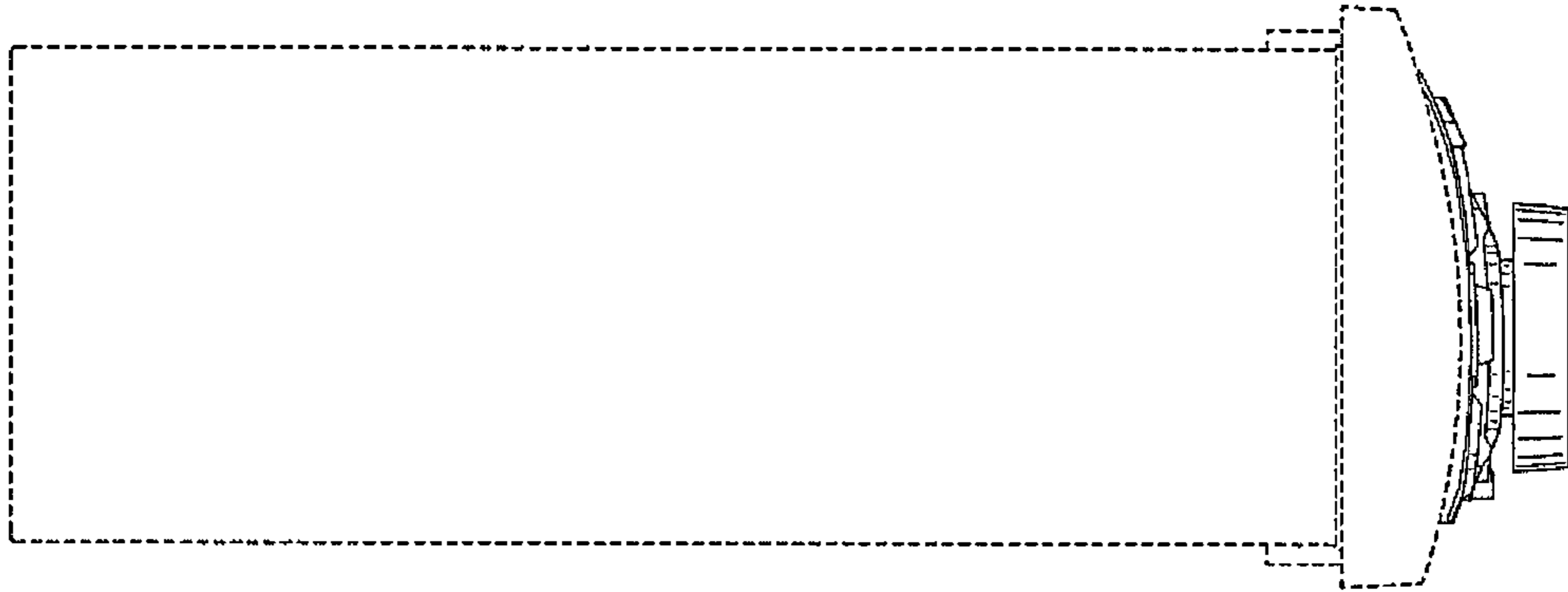


FIG. 4



FIG. 5

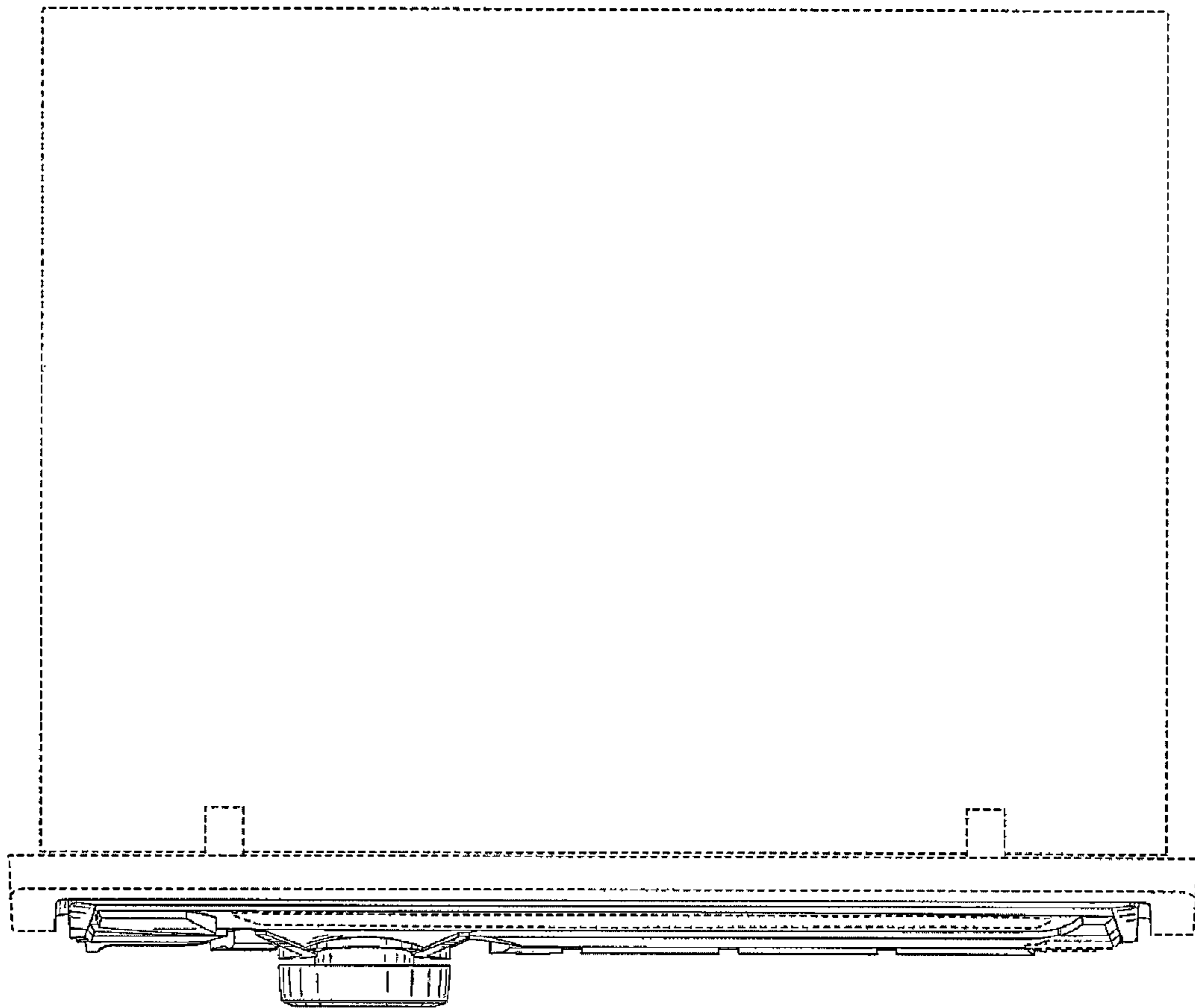


FIG. 6

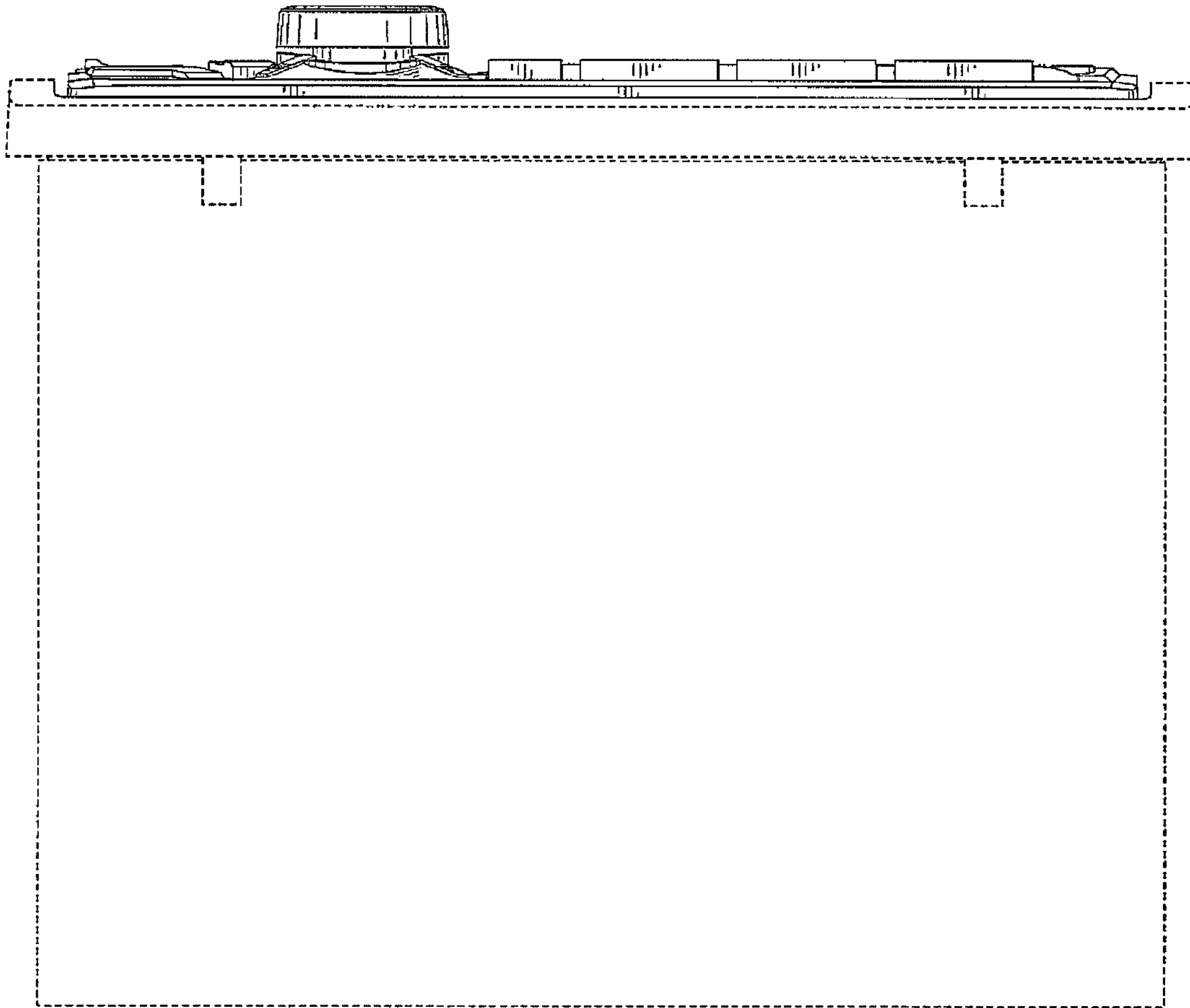


FIG. 7