



US00D680091S

(12) **United States Design Patent**
Kim et al.

(10) **Patent No.:** **US D680,091 S**
(45) **Date of Patent:** **** Apr. 16, 2013**

(54) **TELEVISION RECEIVER**

(71) Applicant: **LG Electronics Inc.**, Seoul (KR)
(72) Inventors: **Yooseok Kim**, Seoul (KR); **Junki Kim**,
Seoul (KR); **Tacho Kim**, Seoul (KR)
(73) Assignee: **LG Electronics Inc.**, Seoul (KR)
(**) Term: **14 Years**

(21) Appl. No.: **29/437,294**

(22) Filed: **Nov. 15, 2012**

(30) **Foreign Application Priority Data**

May 16, 2012 (KR) 30-2012-0024044

(51) **LOC (9) Cl.** **14-03**

(52) **U.S. Cl.**
USPC **D14/126**

(58) **Field of Classification Search** D14/125-134,
D14/239, 371, 136, 374-377, 440, 450, 448,
D14/336, 342, 159; 312/7.2; 248/917-924,
248/465; 345/104, 133, 156, 168, 87, 173;
720/605, 669, 600, 655; 369/99, 197; 455/344,
455/347; D21/329, 515, 577, 622, 333, 433,
D21/448, 452, 450, 331; D6/477, 479, 300;
273/148 B; 446/484, 175, 356; D10/15,
D10/26

See application file for complete search history.

(56) **References Cited**

U.S. PATENT DOCUMENTS

D597,978	S	*	8/2009	Won et al.	D14/126
D642,145	S	*	7/2011	Kim et al.	D14/126
D643,389	S	*	8/2011	Lee et al.	D14/126
D653,636	S	*	2/2012	Lee et al.	D14/126
D661,269	S	*	6/2012	Lee et al.	D14/126
D661,272	S	*	6/2012	Kim et al.	D14/126
D667,806	S	*	9/2012	Asanuma et al.	D14/129
D671,513	S	*	11/2012	Jang et al.	D14/126

* cited by examiner

Primary Examiner — Raphael Barkai

(74) *Attorney, Agent, or Firm* — Morgan, Lewis & Bockius
LLP

(57) **CLAIM**

The ornamental design for a television receiver, as shown and described.

DESCRIPTION

FIG. 1 is a perspective view of a television, receiver showing our new design;
FIG. 2 is a front view thereof;
FIG. 3 is a rear view thereof;
FIG. 4 is a left side view thereof;
FIG. 5 is a right side view thereof;
FIG. 6 is a top plan view thereof;
FIG. 7 is a bottom plan view thereof; and,
FIG. 8 is a rear perspective view thereof.

1 Claim, 7 Drawing Sheets

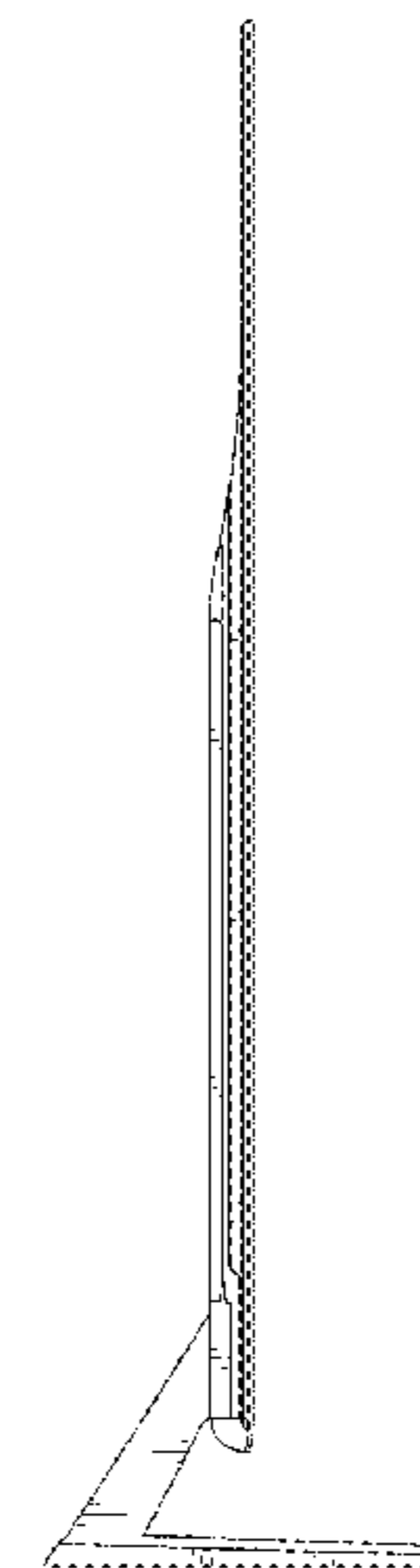
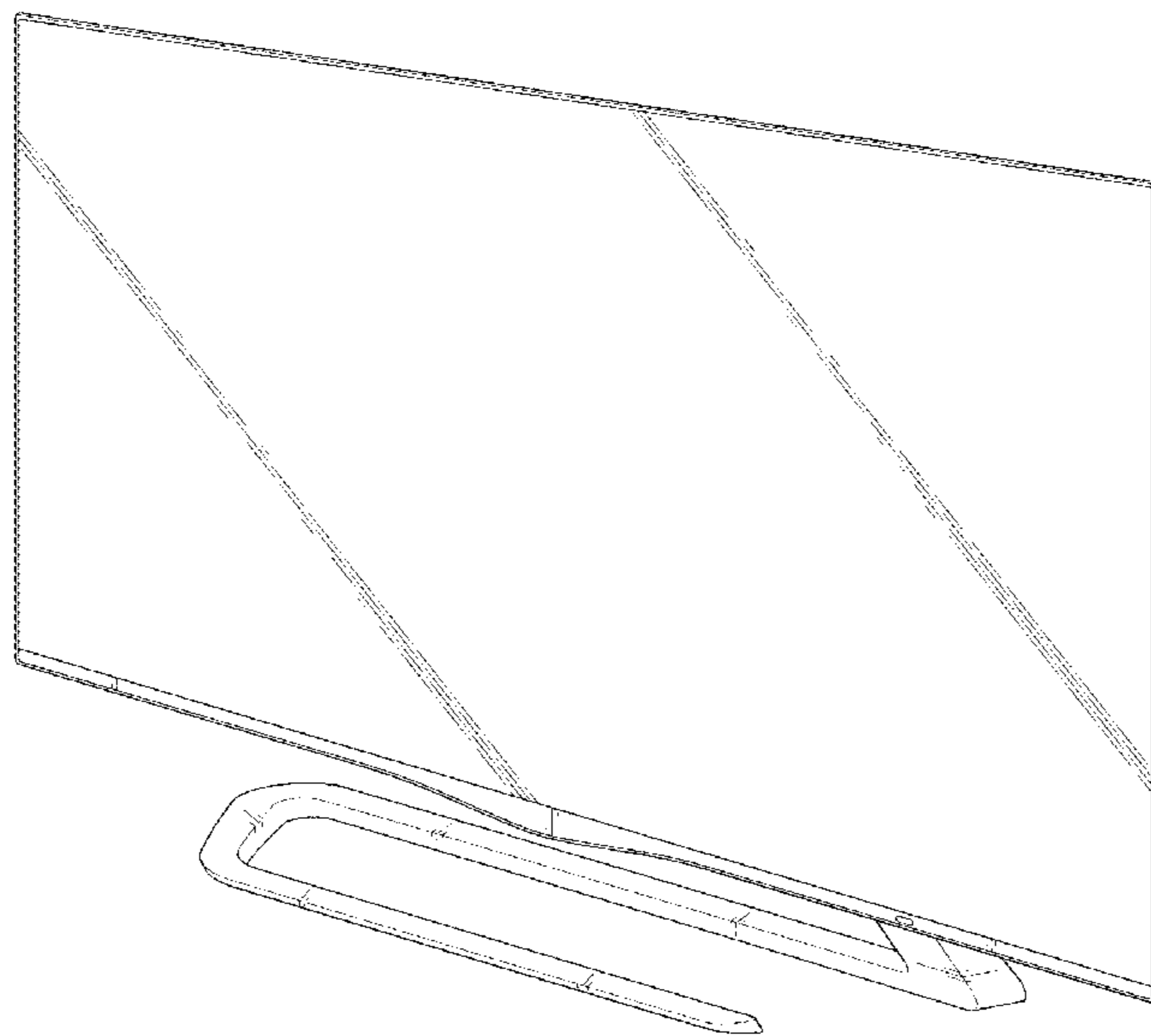


FIG. 1

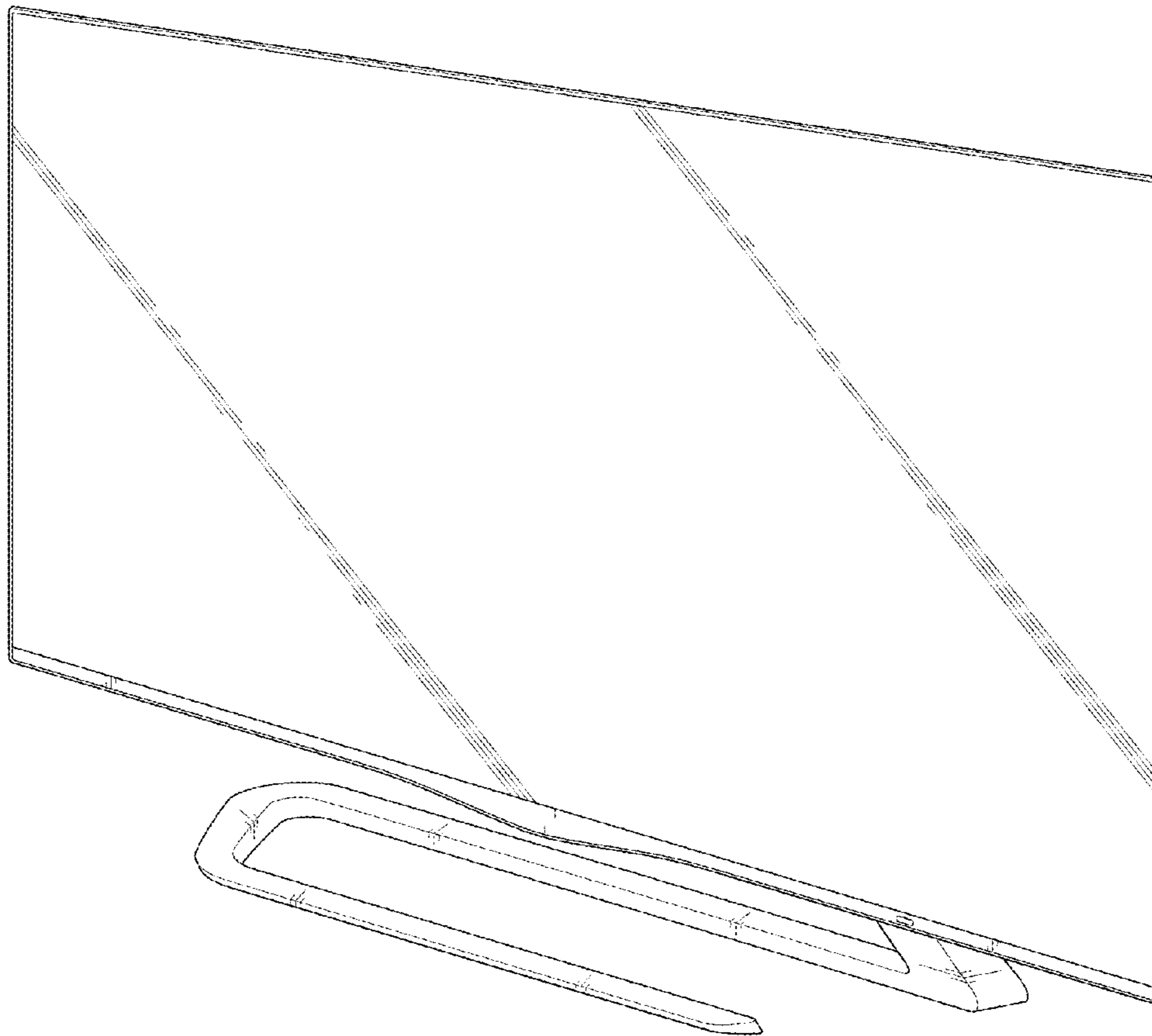


FIG. 2

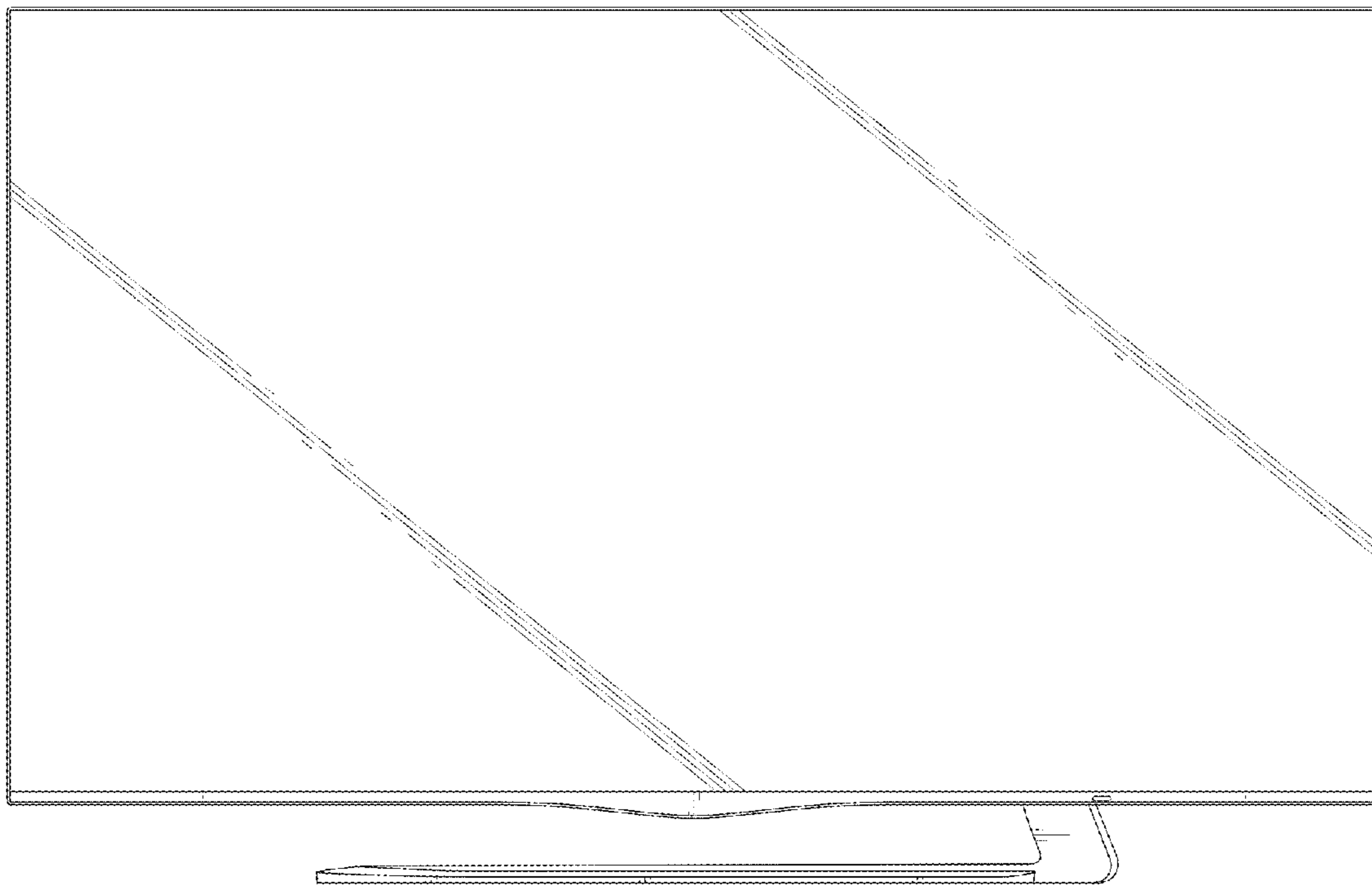


FIG. 3

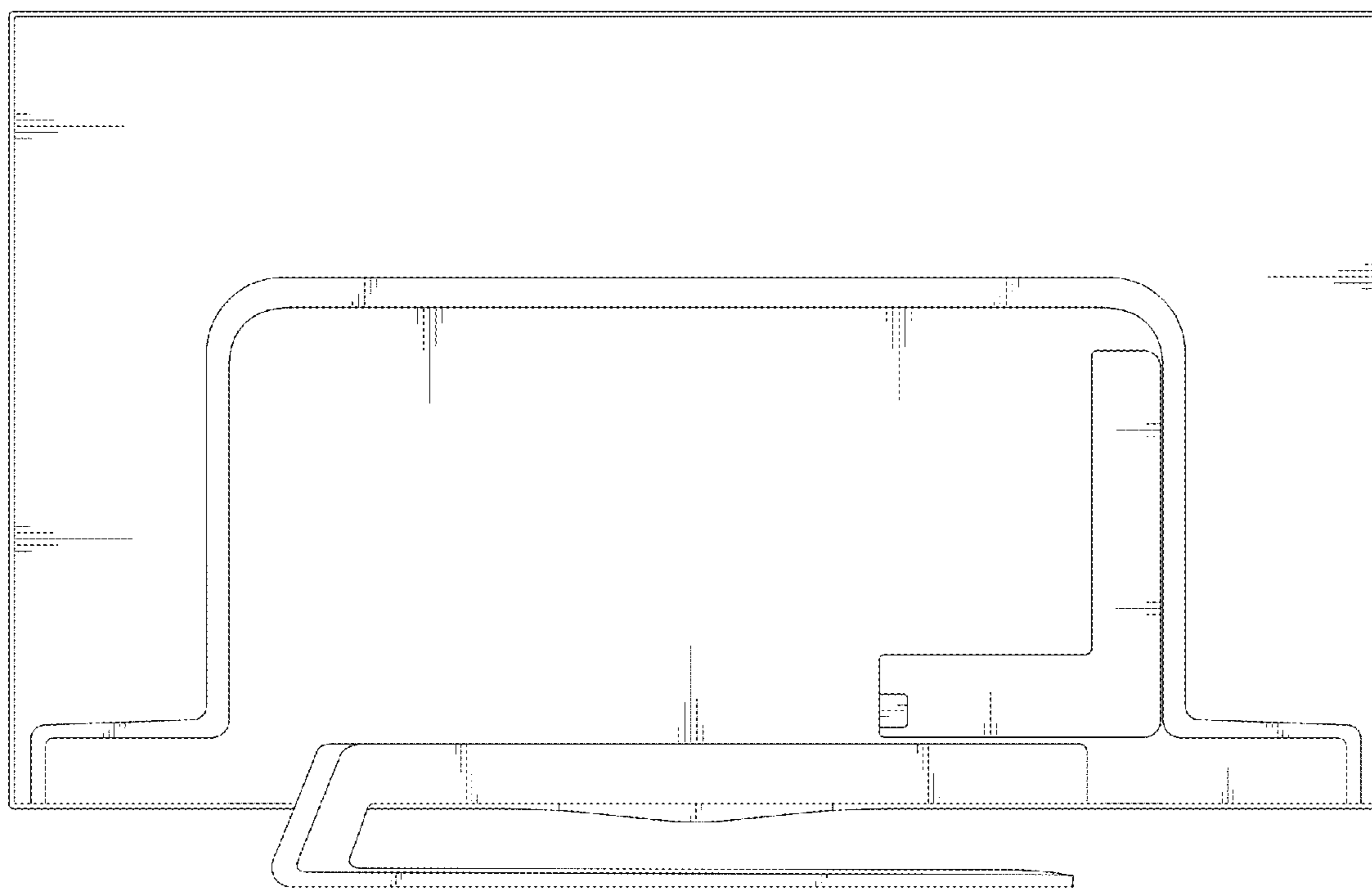


FIG. 4

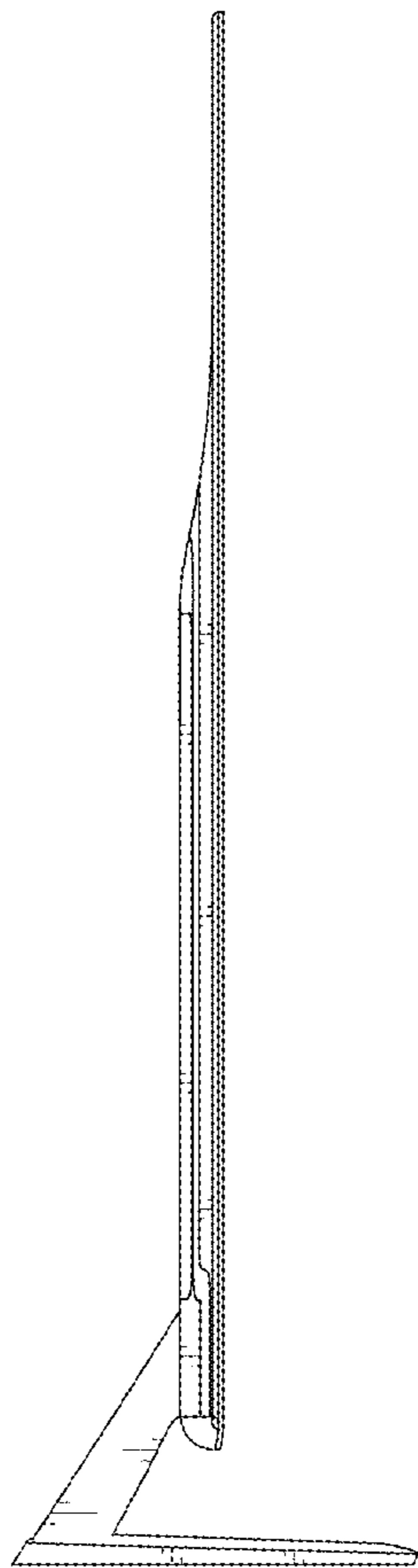


FIG. 5

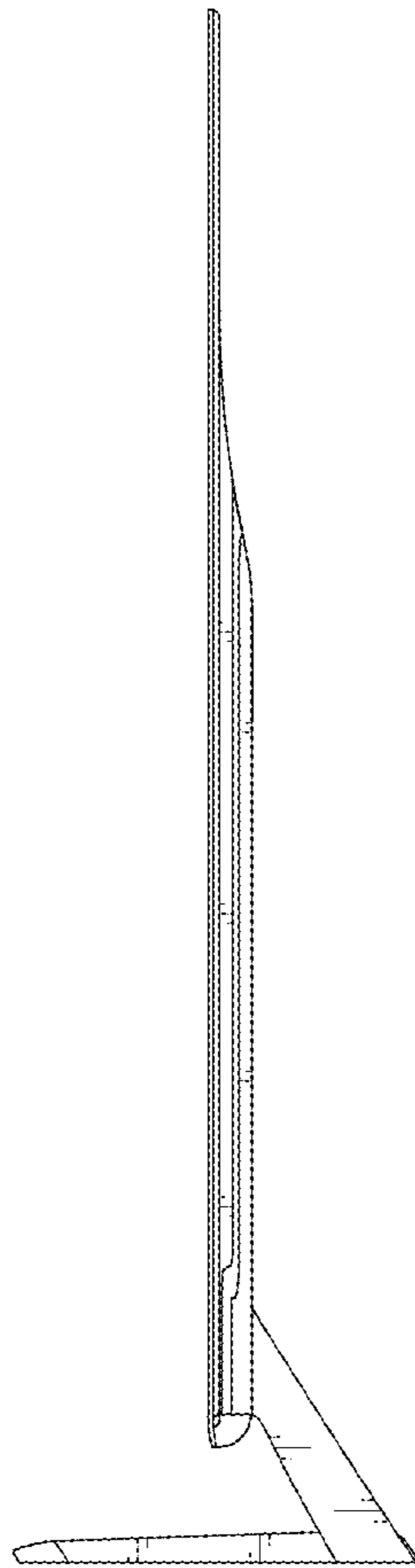


FIG. 6

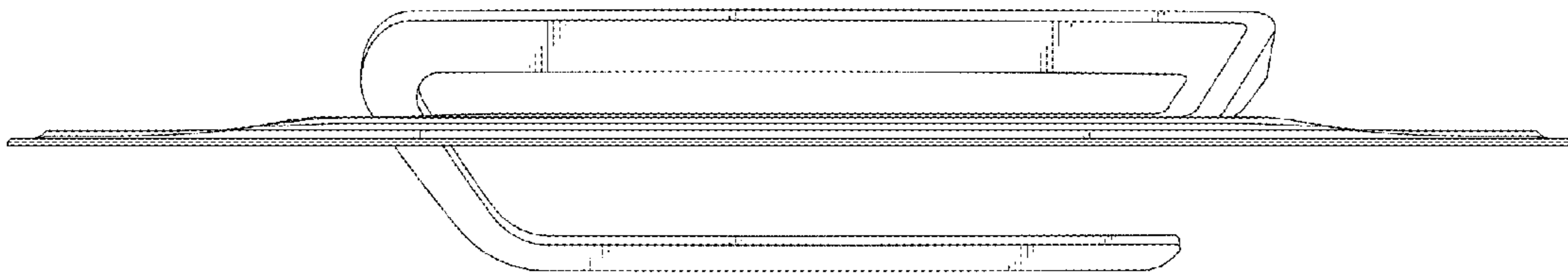


FIG. 7

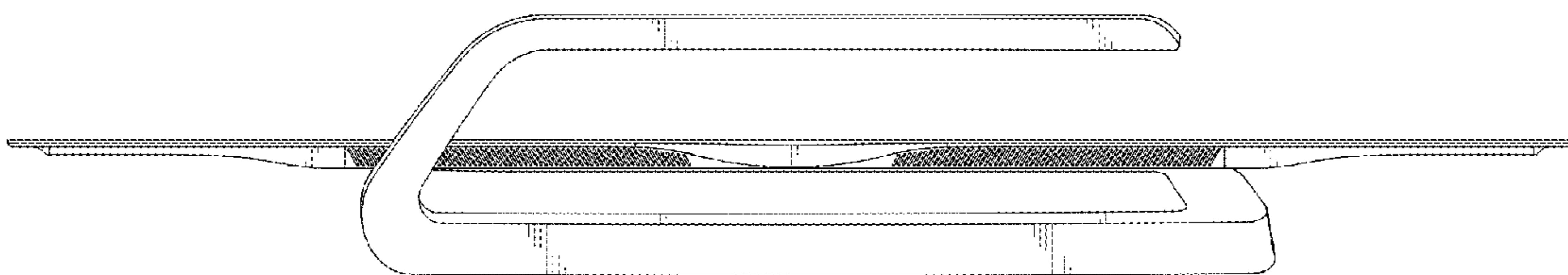


FIG. 8

