



US00D680088S

(12) **United States Design Patent**  
**Park et al.**

(10) **Patent No.:** **US D680,088 S**

(45) **Date of Patent:** **\*\* Apr. 16, 2013**

(54) **TV RECEIVER**

(75) Inventors: **Hae-Sung Park**, Seoul (KR); **Jun-Ho Yang**, Kyunggi-do (KR)

(73) Assignee: **Samsung Electronics Co., Ltd.**, Suwon-si, Gyeonggi-do (KR)

(\*\*) Term: **14 Years**

(21) Appl. No.: **29/426,423**

(22) Filed: **Jul. 5, 2012**

(30) **Foreign Application Priority Data**

Jan. 17, 2012 (KR) ..... 30-2012-0002282

(51) **LOC (9) Cl.** ..... **14-03**

(52) **U.S. Cl.**  
USPC ..... **D14/126**

(58) **Field of Classification Search** ..... D14/125-134,  
D14/239, 371, 136, 374-377, 440, 450, 448,  
D14/336, 342, 159; 312/7.2; 348/836, 838,  
348/180, 184, 325, 739; 341/12; 248/917-924,  
248/465; 345/104, 133, 156, 168, 87, 173;  
720/605, 669, 600, 655; 369/99, 197; D21/329,  
D21/515, 577, 622, 333, 433, 448, 452, 450,  
D21/331; D6/477, 479, 300; 273/148 B;  
446/484, 175, 356; D10/15, 26

See application file for complete search history.

(56) **References Cited**

U.S. PATENT DOCUMENTS

|          |   |   |         |              |       |         |
|----------|---|---|---------|--------------|-------|---------|
| D372,226 | S | * | 7/1996  | Maguire, Jr. | ..... | D14/306 |
| D469,746 | S | * | 2/2003  | Soule, Jr.   | ..... | D14/127 |
| D584,707 | S | * | 1/2009  | Rieu Piquet  | ..... | D14/129 |
| D616,404 | S | * | 5/2010  | Roed et al.  | ..... | D14/129 |
| D623,616 | S | * | 9/2010  | Cho et al.   | ..... | D14/126 |
| D626,927 | S | * | 11/2010 | Honda        | ..... | D14/126 |
| D649,951 | S | * | 12/2011 | Roed et al.  | ..... | D14/127 |

\* cited by examiner

*Primary Examiner* — Raphael Barkai

(74) *Attorney, Agent, or Firm* — Flynn, Thiel, Boutell & Tanis, P.C.

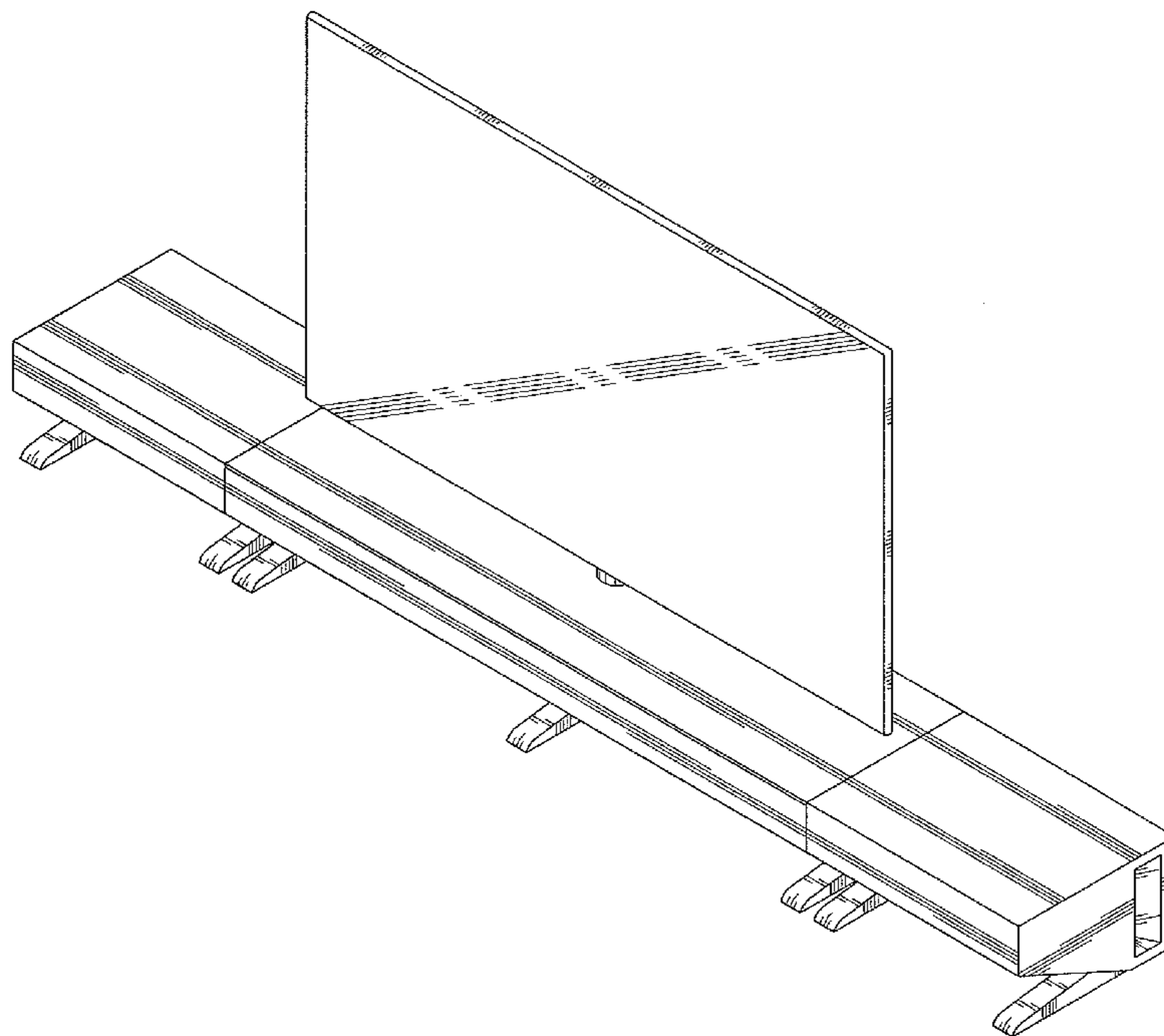
(57) **CLAIM**

The ornamental design for a TV receiver, as shown and described.

**DESCRIPTION**

FIG. 1 is a top front perspective view of a TV receiver showing our new design;  
FIG. 2 is a front elevational view thereof;  
FIG. 3 is a rear elevational view thereof;  
FIG. 4 is a left side elevational view thereof;  
FIG. 5 is a right side elevational view thereof;  
FIG. 6 is a top plan view thereof; and,  
FIG. 7 is a bottom plan view thereof.

**1 Claim, 3 Drawing Sheets**



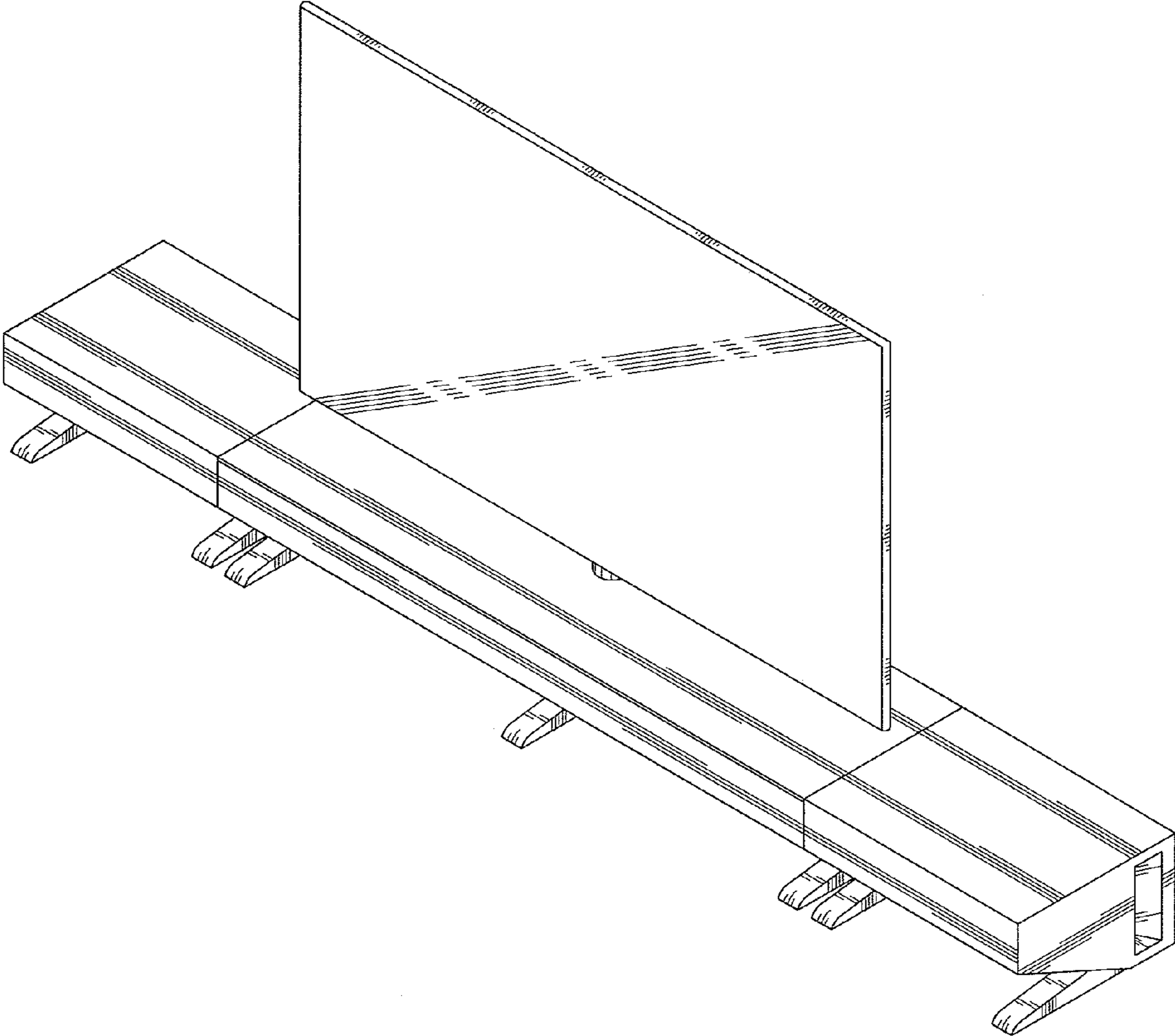


FIG.1

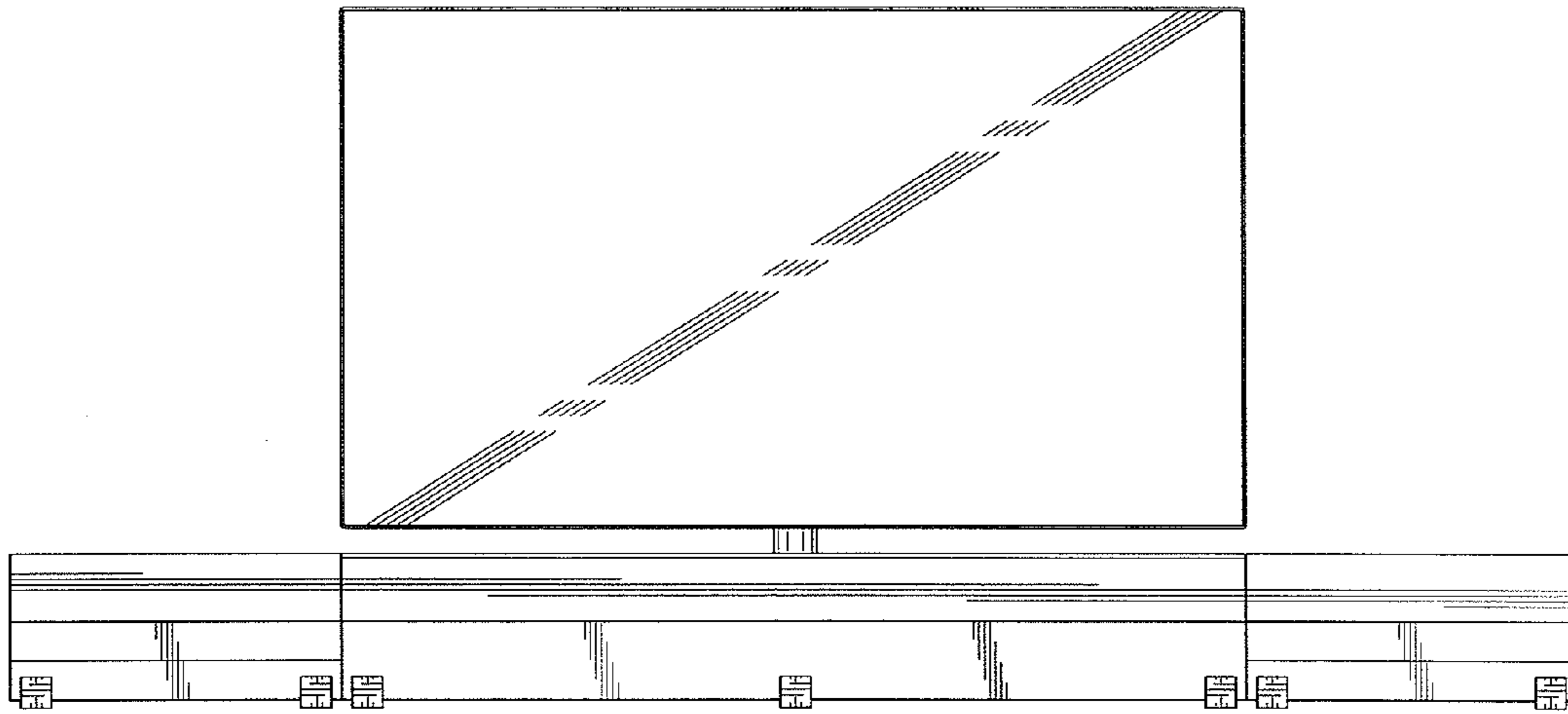


FIG. 2

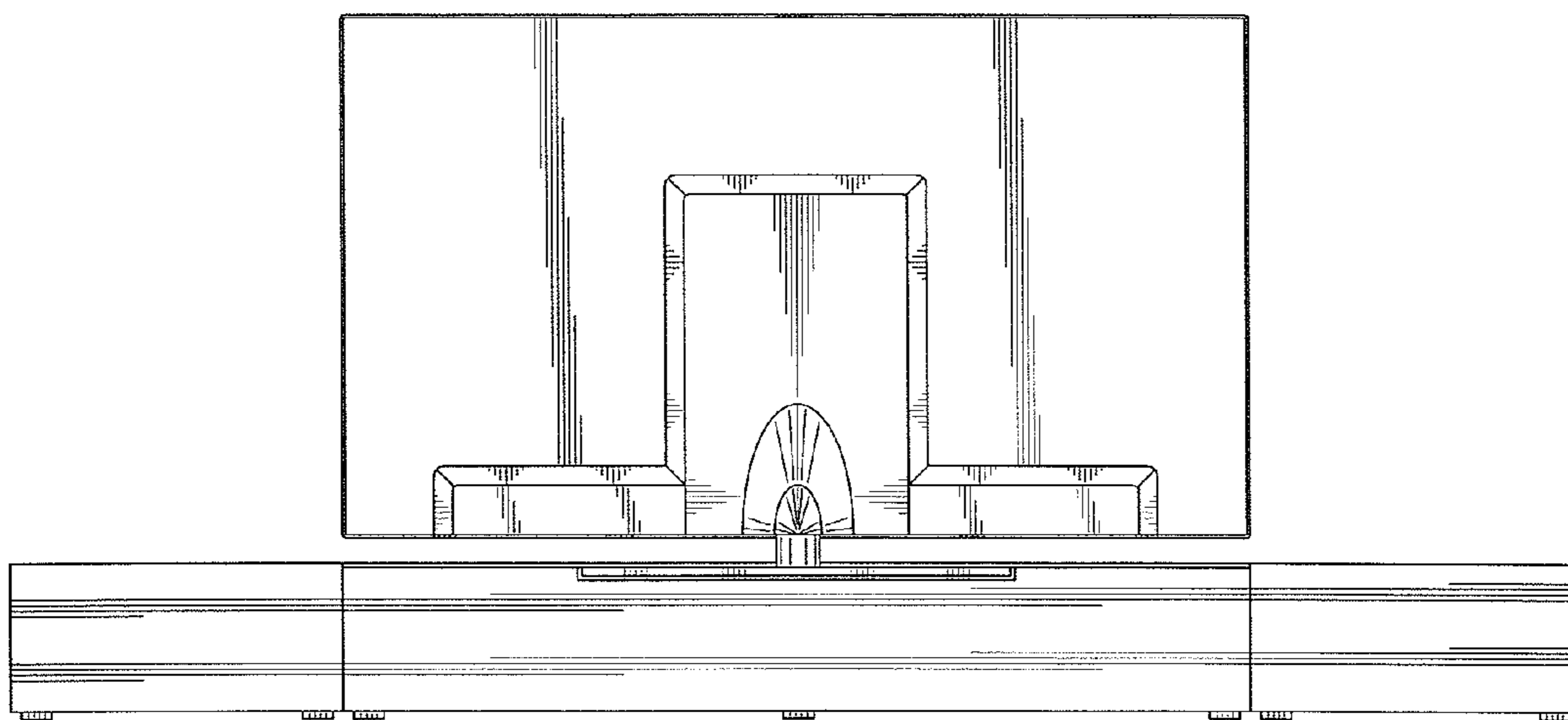


FIG. 3

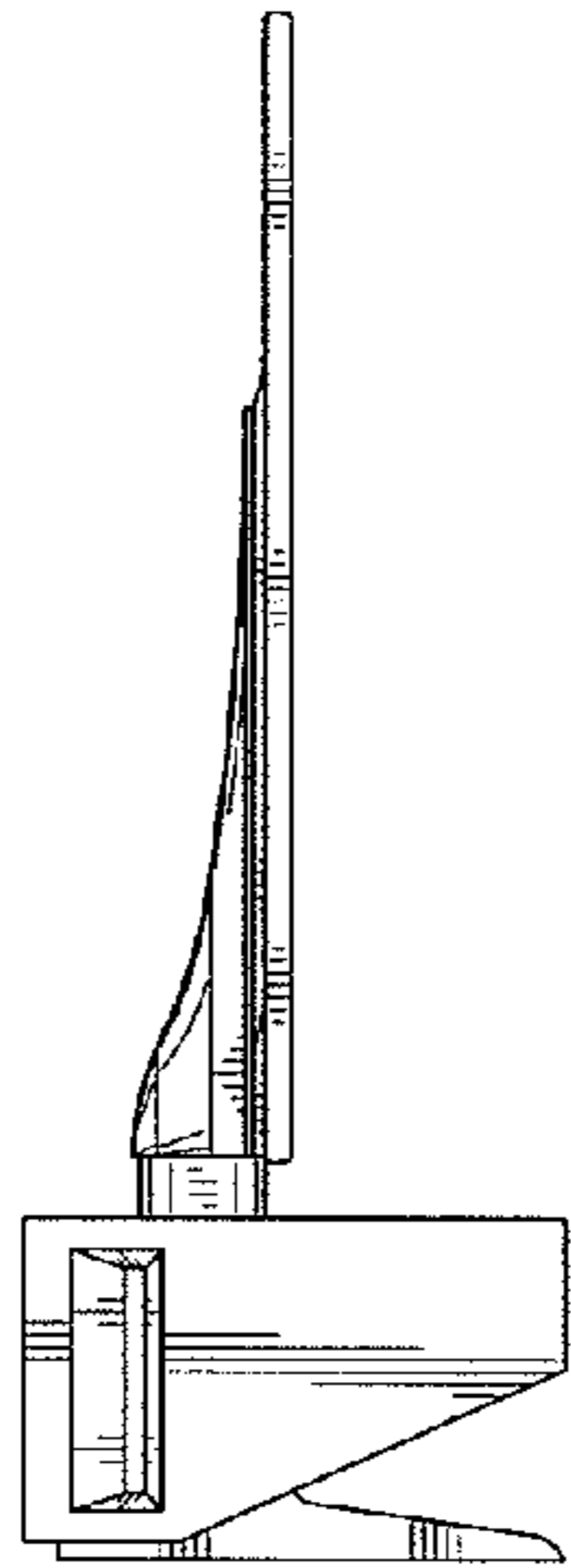


FIG. 4

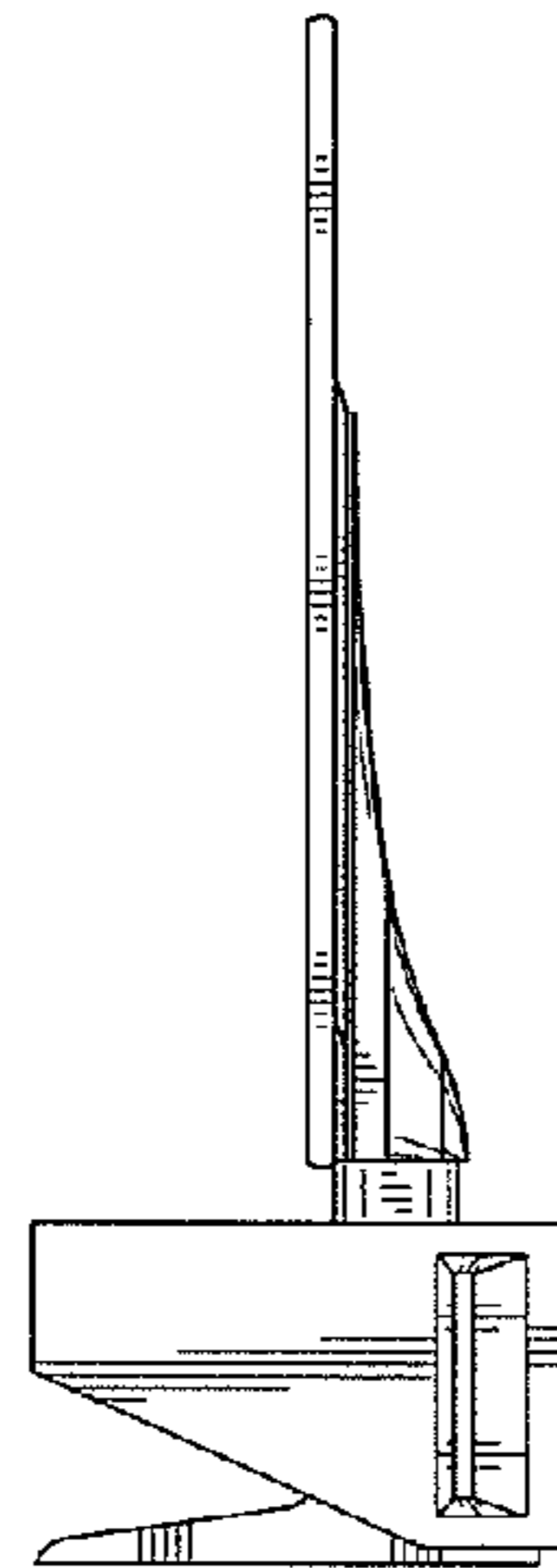


FIG. 5

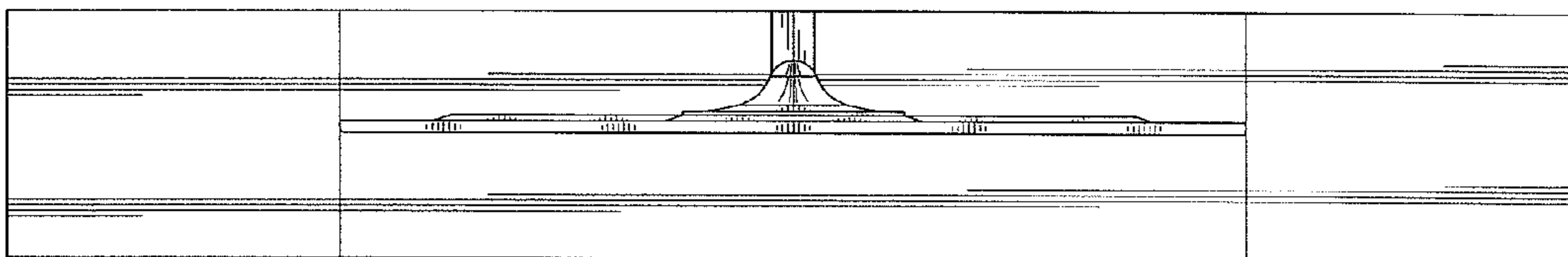


FIG. 6

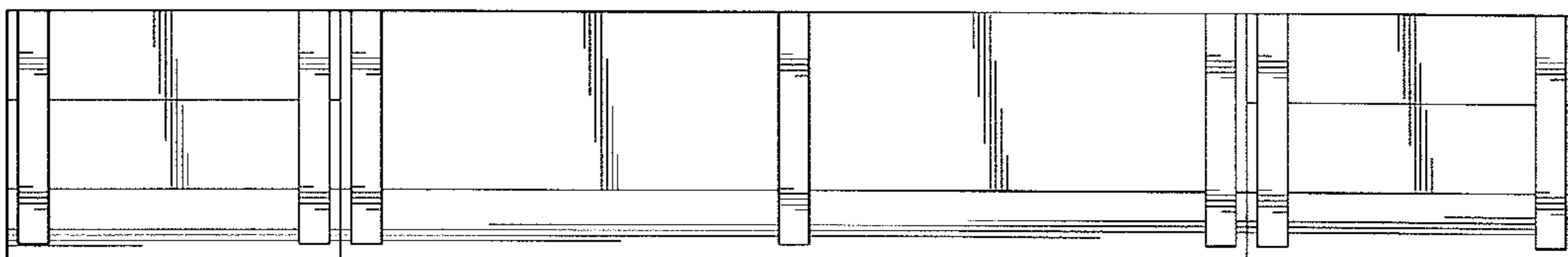


FIG. 7