



US00D680086S

(12) **United States Design Patent**
Kaku

(10) **Patent No.:** **US D680,086 S**

(45) **Date of Patent:** **** Apr. 16, 2013**

(54) **PICTURE SOUND REPRODUCTION EQUIPMENT**

(75) Inventor: **Daisuke Kaku**, Tokyo (JP)

(73) Assignee: **Teac Corporation**, Tama-Shi (JP)

(**) Term: **14 Years**

(21) Appl. No.: **29/421,446**

(22) Filed: **Jul. 30, 2012**

(30) **Foreign Application Priority Data**

Mar. 23, 2012 (JP) 2012-006629

(51) **LOC (9) Cl.** **14-03**

(52) **U.S. Cl.**
USPC **D14/125**

(58) **Field of Classification Search** D14/125-134,
D14/239, 371, 136, 374-377, 135, 492, 299,
D14/356, 361-363, 365, 496, 156, 157, 160;
312/7.2, 208.1-223.2; 348/836, 838, 180,
348/184, 325, 739, 10, 460; 341/12; 248/917-924,
248/465, 123.11; 345/104, 133, 156, 168,
345/87, 173, 169; 349/1, 2, 11, 62; 720/605,
720/669, 600, 655, 99, 197; 455/344-347;
361/690-696; 369/75.1-77.2

See application file for complete search history.

(56) **References Cited**

U.S. PATENT DOCUMENTS

D273,676 S * 5/1984 Itoh et al. D14/217

D341,834 S * 11/1993 MacKay et al. D14/217
D375,747 S * 11/1996 East D14/217
D386,500 S * 11/1997 Matsumoto et al. D14/239
D426,231 S * 6/2000 Mackie D14/217
D434,397 S * 11/2000 Sasago D14/125
D544,454 S * 6/2007 Miyazaki D14/125
D555,640 S * 11/2007 Amiya D14/217
D568,275 S * 5/2008 Kaneda D14/132
D586,305 S * 2/2009 Tsuboi D14/125
D607,425 S * 1/2010 Asai D14/125
D619,576 S * 7/2010 Kawano D14/396

* cited by examiner

Primary Examiner — Raphael Barkai

Assistant Examiner — Randall Gholson

(74) *Attorney, Agent, or Firm* — Manabu Kanesaka

(57) **CLAIM**

The ornamental design for a picture sound reproduction equipment, as shown and described.

DESCRIPTION

FIG. 1 is a perspective view of the picture sound reproduction equipment showing my new design;
FIG. 2 is a front view thereof;
FIG. 3 is a rear view thereof;
FIG. 4 is a plan view thereof;
FIG. 5 is a bottom view thereof;
FIG. 6 is a left side view thereof; and,
FIG. 7 is a right side view thereof.

The broken lines depict portions of the picture sound reproduction equipment that form no part of claimed design.

1 Claim, 5 Drawing Sheets

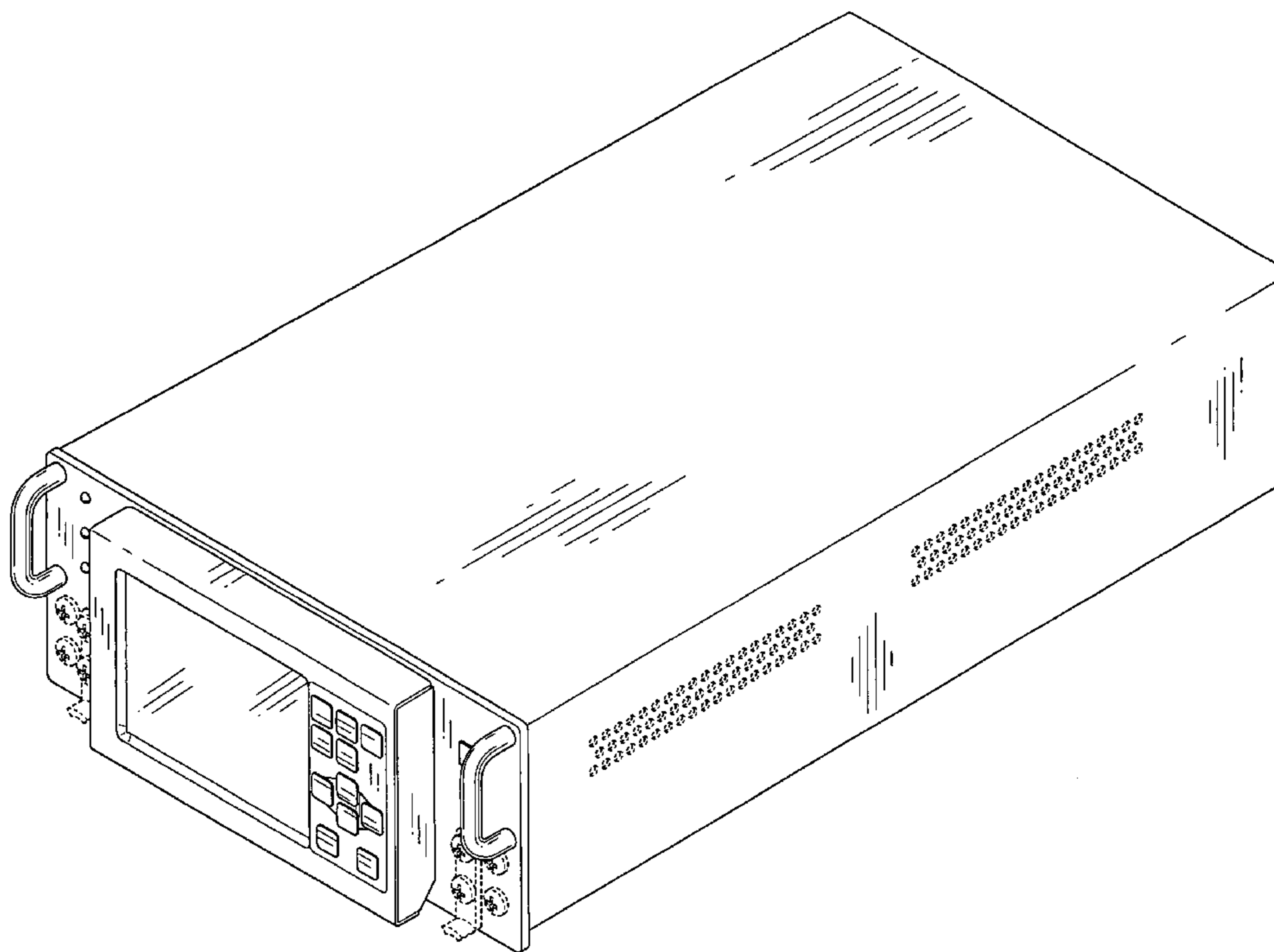


Fig.1

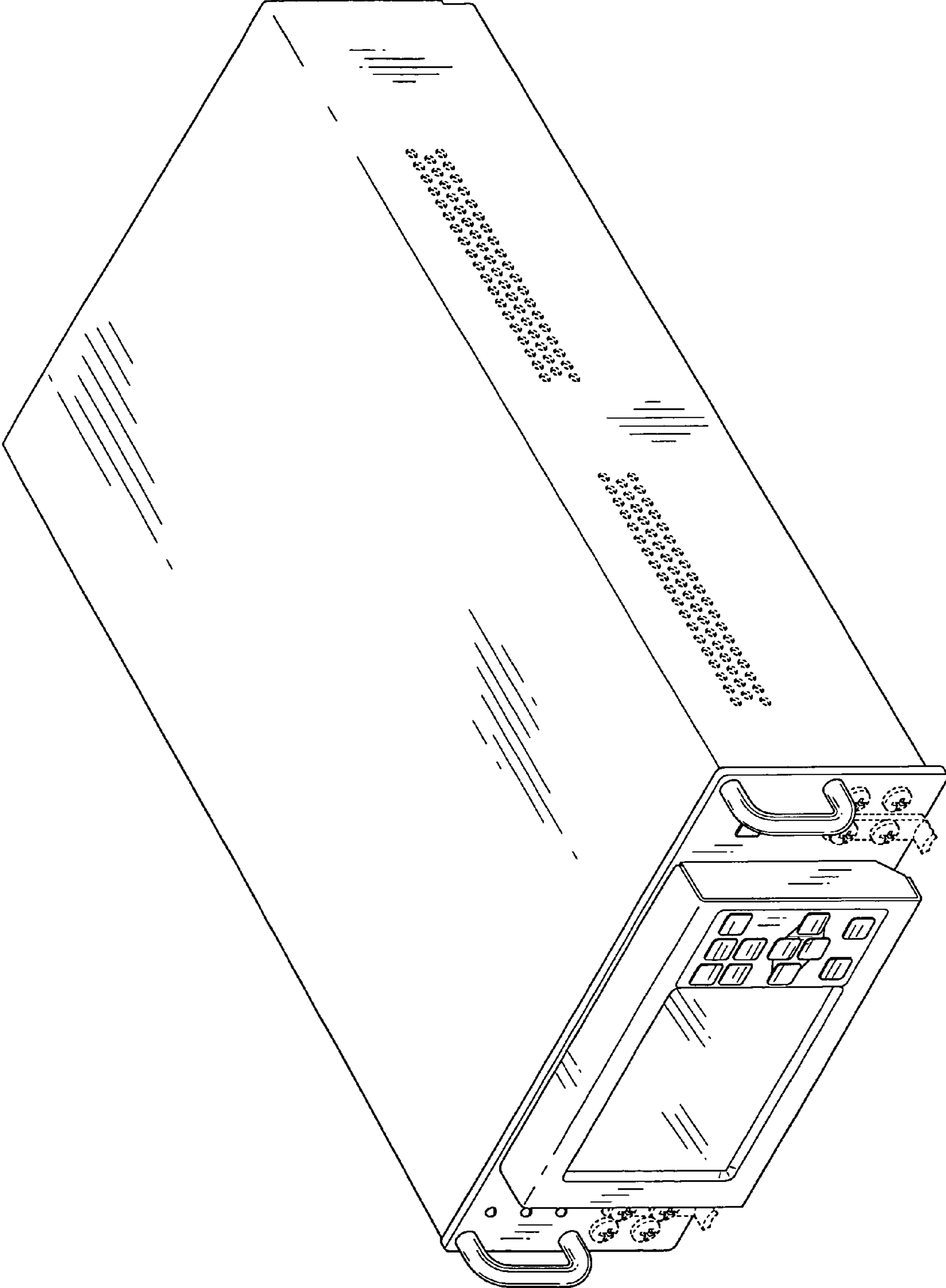


Fig.2

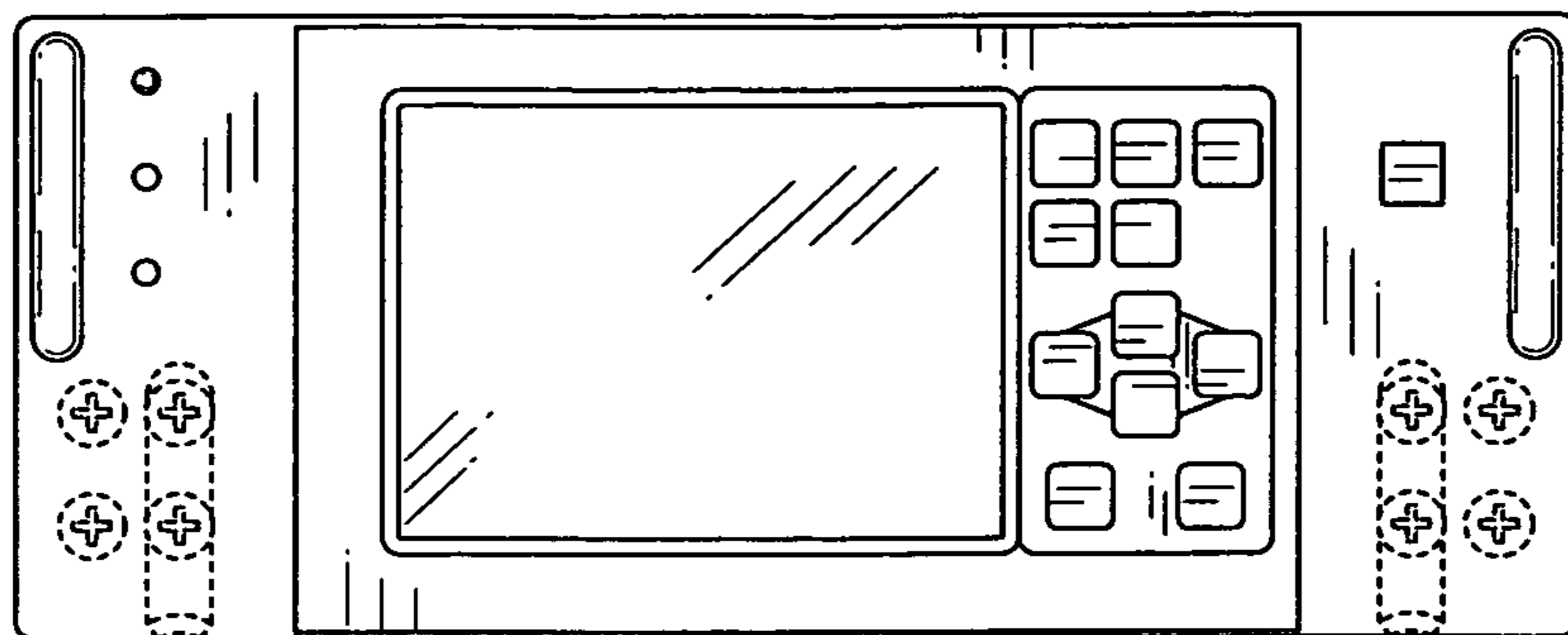


Fig.3

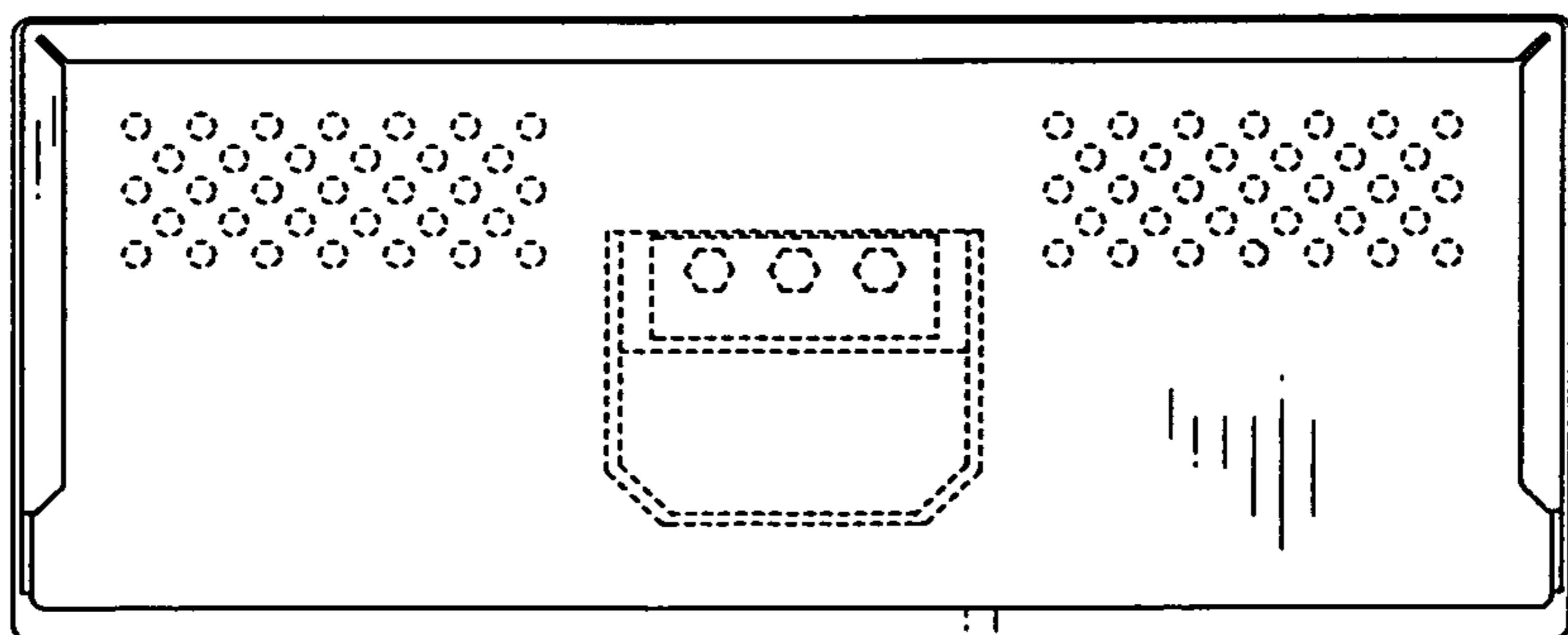


Fig.4

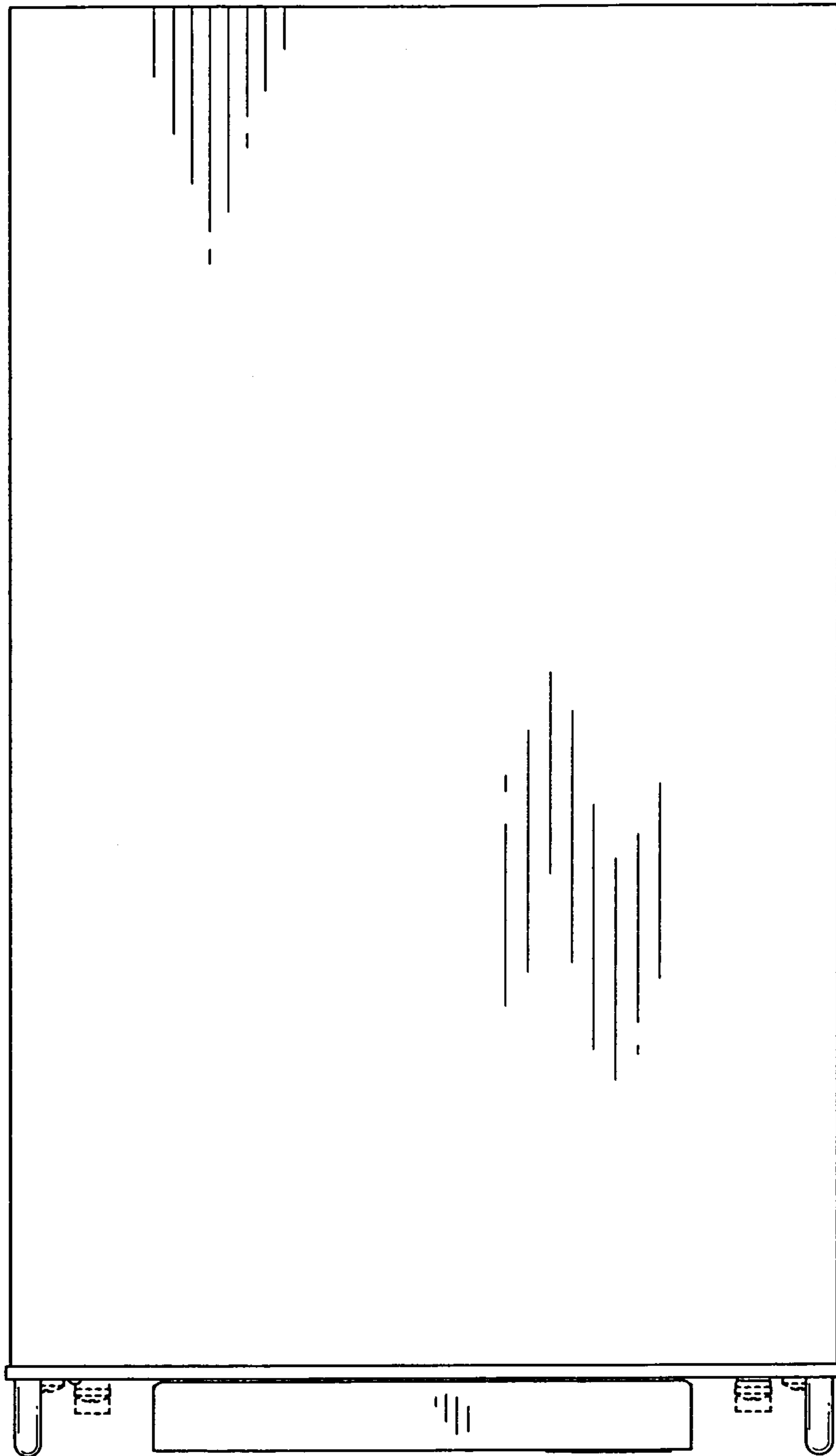


Fig.5

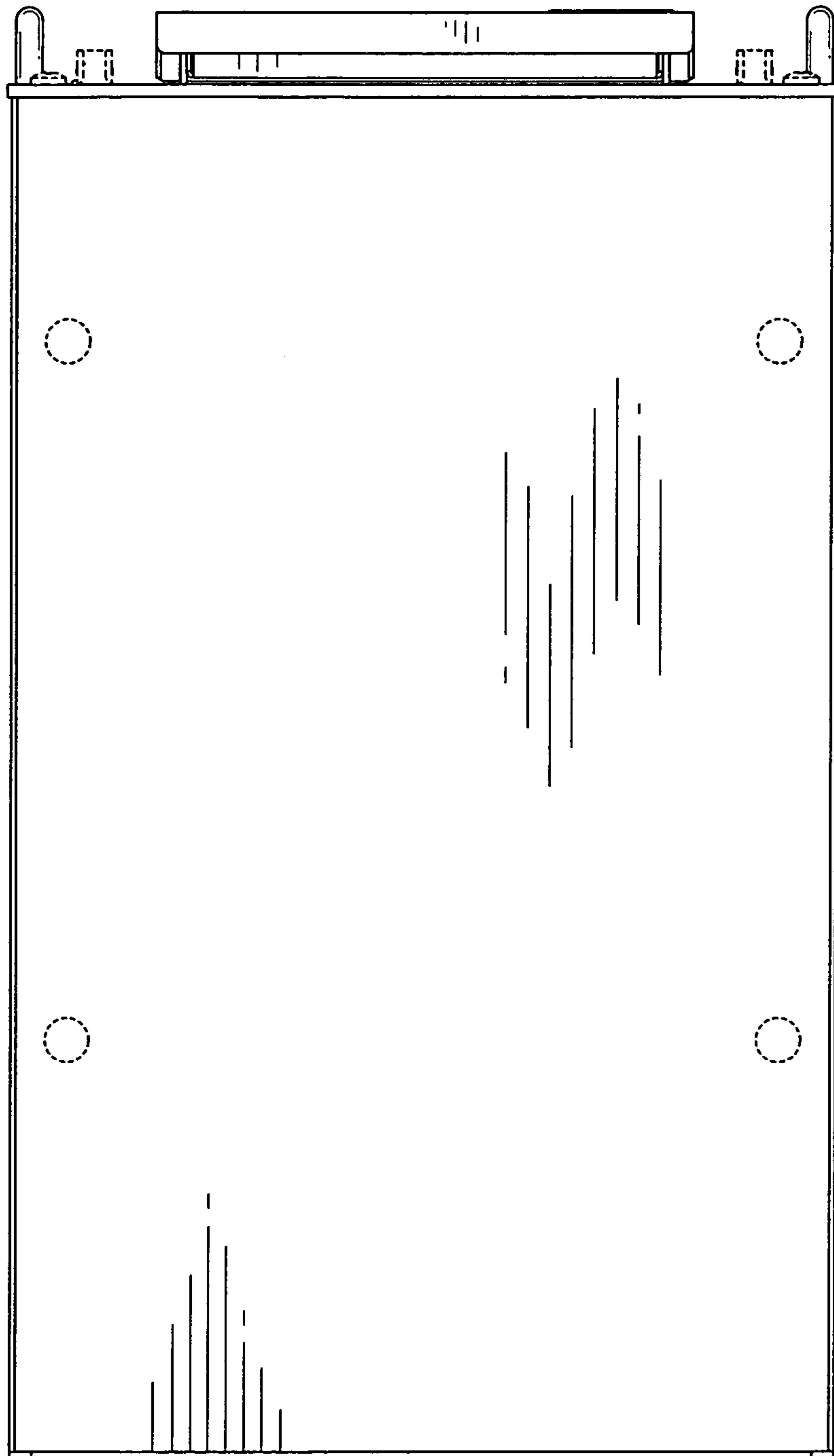


Fig.6

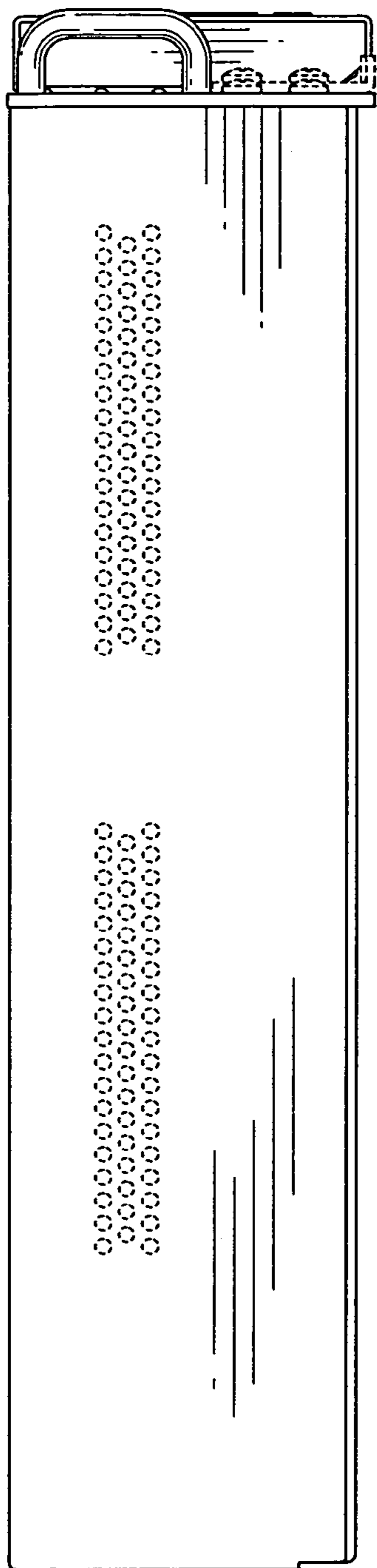


Fig.7

