



US00D680085S

(12) **United States Design Patent**
Wu et al.

(10) **Patent No.:** **US D680,085 S**

(45) **Date of Patent:** **** Apr. 16, 2013**

(54) **LIGHT-EMITTING DIODE ARRAY**

(75) Inventors: **Han-Min Wu**, Hsinchu (TW);
Chia-Ling Hsu, Hsinchu (TW);
Kuang-Ping Chao, Hsinchu (TW);
Mei-Chun Liu, Hsinchu (TW)

(73) Assignee: **Epistar Corporation**, Hsinchu (TW)

(**) Term: **14 Years**

(21) Appl. No.: **29/422,451**

(22) Filed: **May 21, 2012**

(30) **Foreign Application Priority Data**

Nov. 28, 2011 (CN) 2011 3 0442433

(51) **LOC (9) Cl.** **13-03**

(52) **U.S. Cl.**
USPC **D13/180**

(58) **Field of Classification Search** D13/180;
D26/1, 2; 257/79, 80, 81, 88, 89, 95, 98,
257/99, 100, E33.058; 313/483, 498, 500;
362/555, 800

See application file for complete search history.

(56) **References Cited**

U.S. PATENT DOCUMENTS

6,518,598 B1 * 2/2003 Chen 257/91
6,693,306 B2 * 2/2004 Chen et al. 257/99
6,847,052 B2 * 1/2005 Fan et al. 257/79
D534,506 S * 1/2007 Lai D13/182
D535,264 S * 1/2007 Lai D13/182
7,289,089 B2 * 10/2007 Iwafuchi 345/82

D566,056 S * 4/2008 Edmond et al. D13/180
D566,057 S * 4/2008 Edmond et al. D13/180
D578,536 S * 10/2008 Lei et al. D14/435
D582,865 S * 12/2008 Edmond et al. D13/180
D602,450 S * 10/2009 Edmond et al. D13/180
D635,525 S * 4/2011 Edmond et al. D13/180
8,188,505 B2 * 5/2012 Shen et al. 257/99
2007/0085089 A1 * 4/2007 Hsu 257/81

* cited by examiner

Primary Examiner — Selina Sikder

(74) *Attorney, Agent, or Firm* — Muncy, Geissler, Olds & Lowe, PLLC

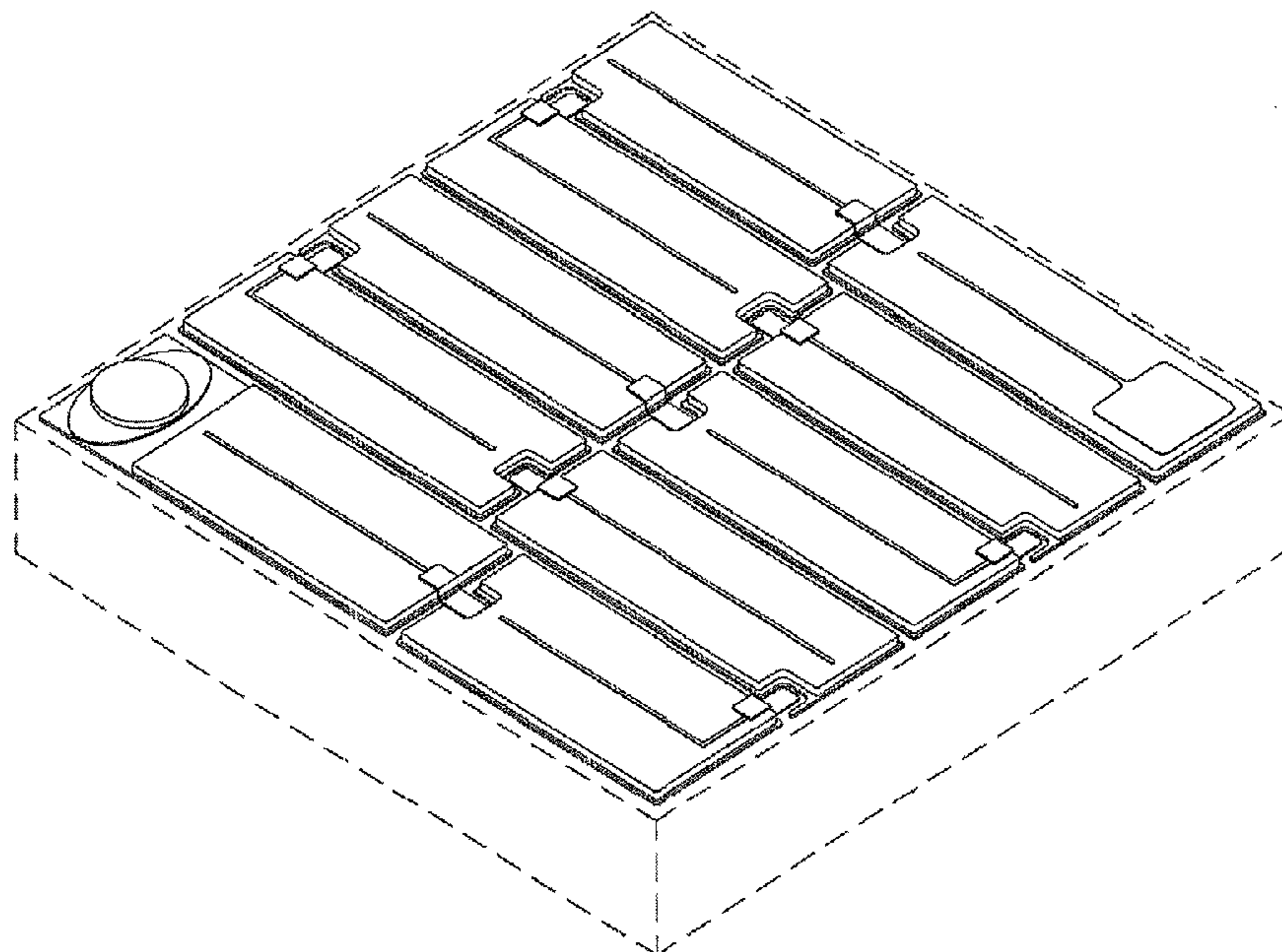
(57) **CLAIM**

The ornamental design for a light-emitting diode array, as shown and described.

DESCRIPTION

FIG. 1 is a perspective view of a light-emitting diode array showing our new design;
FIG. 2 is a front elevational view of the light-emitting diode array;
FIG. 3 is a rear elevational view of the light-emitting diode array;
FIG. 4 is a left side view of the light-emitting diode array;
FIG. 5 is a right side view of the light-emitting diode array;
FIG. 6 is a top plan view of the light-emitting diode array; and,
FIG. 7 is a bottom plan view of the light-emitting diode array. The broken line showing is for the purpose of illustrating environmental structure only and forms no part of the claimed design.

1 Claim, 5 Drawing Sheets



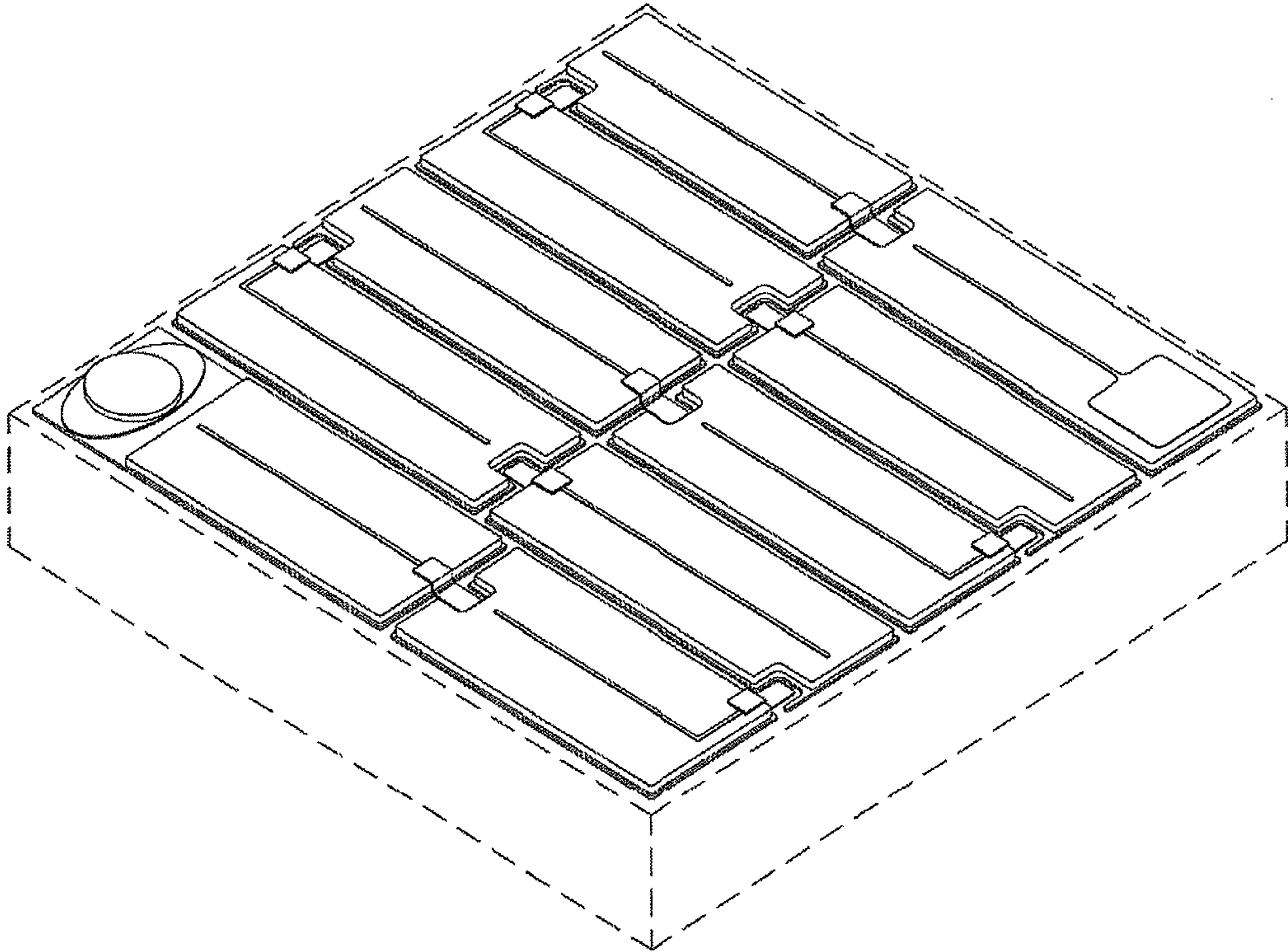


FIG.1

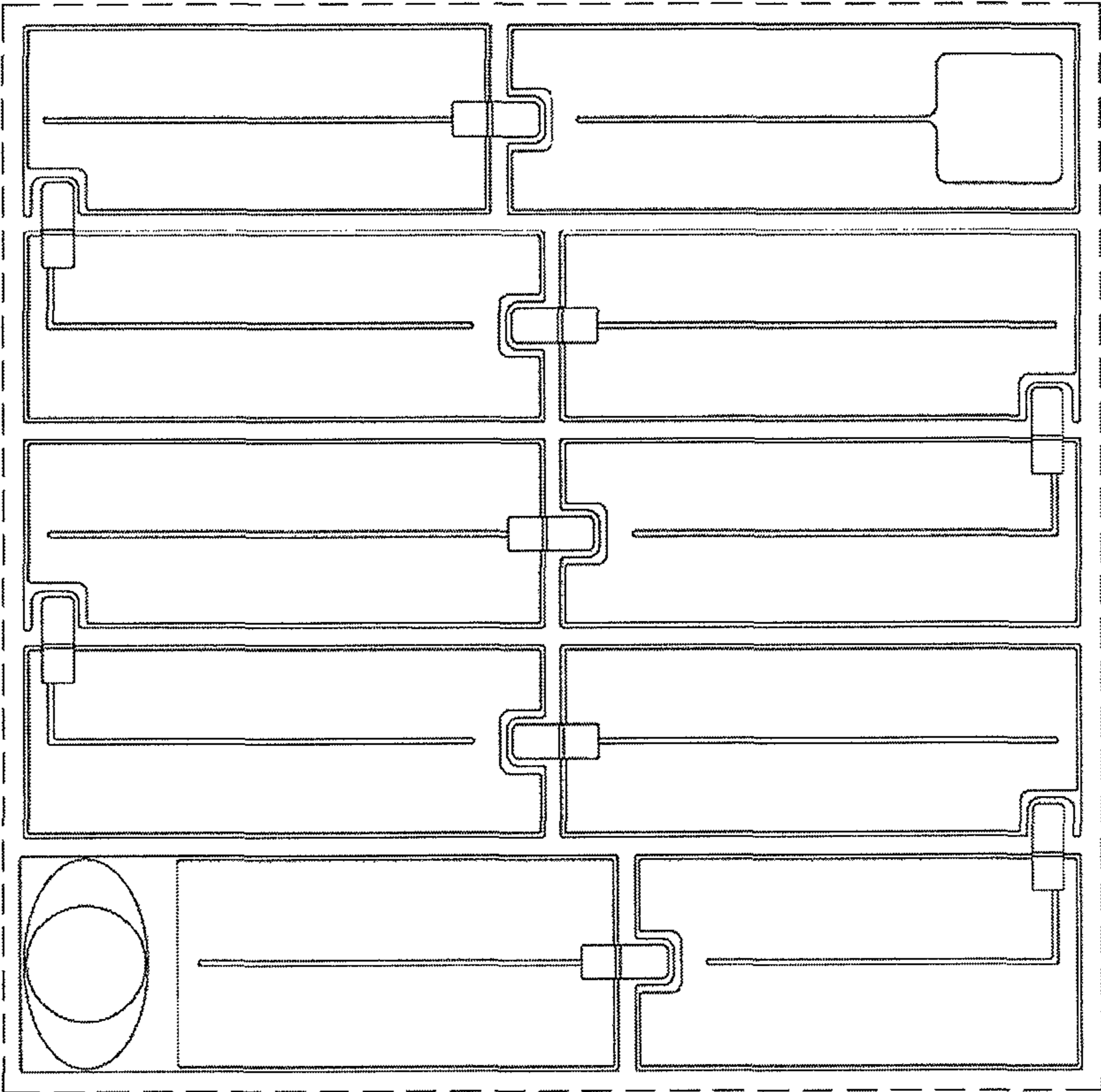


FIG.2

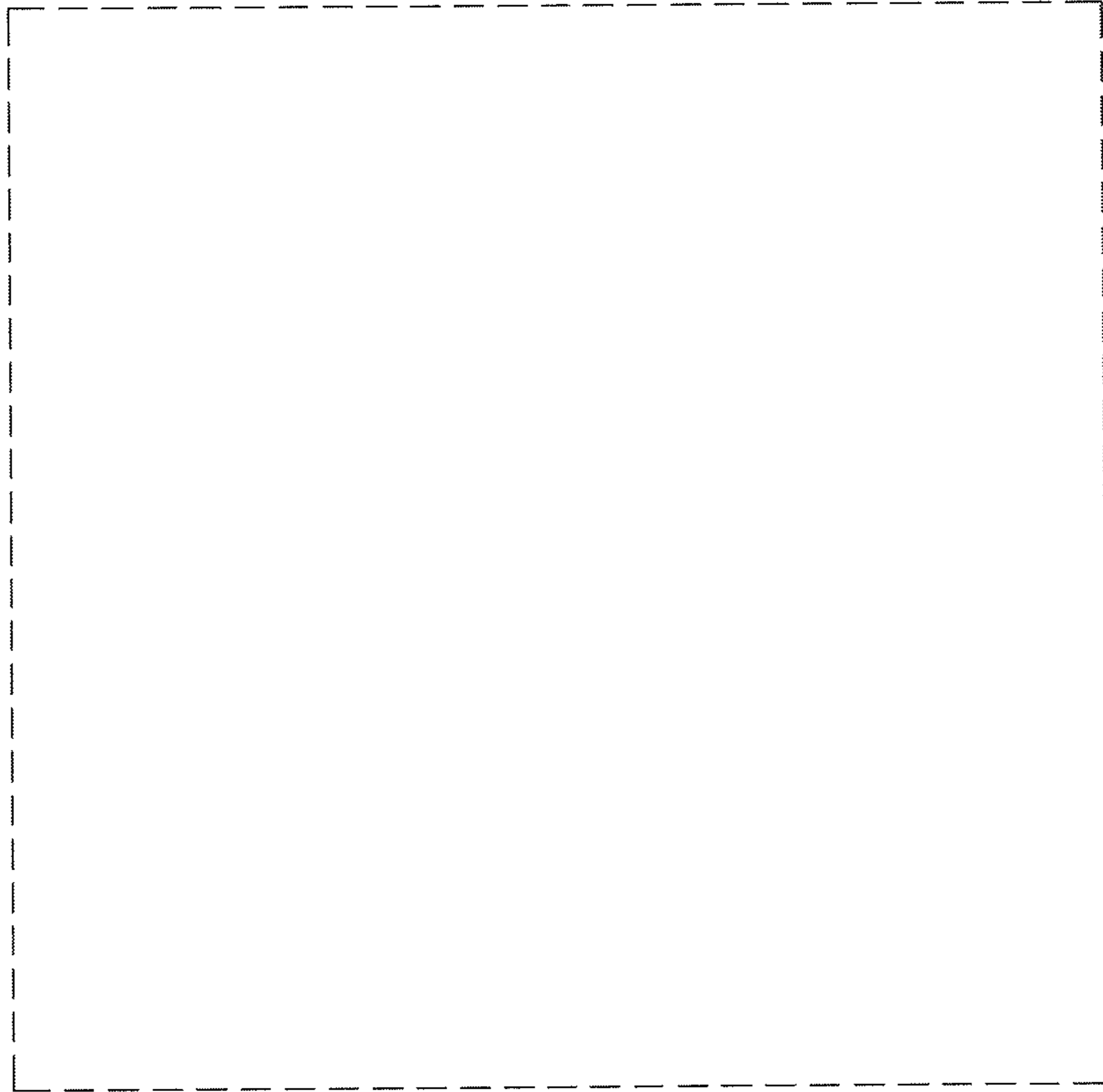


FIG.3

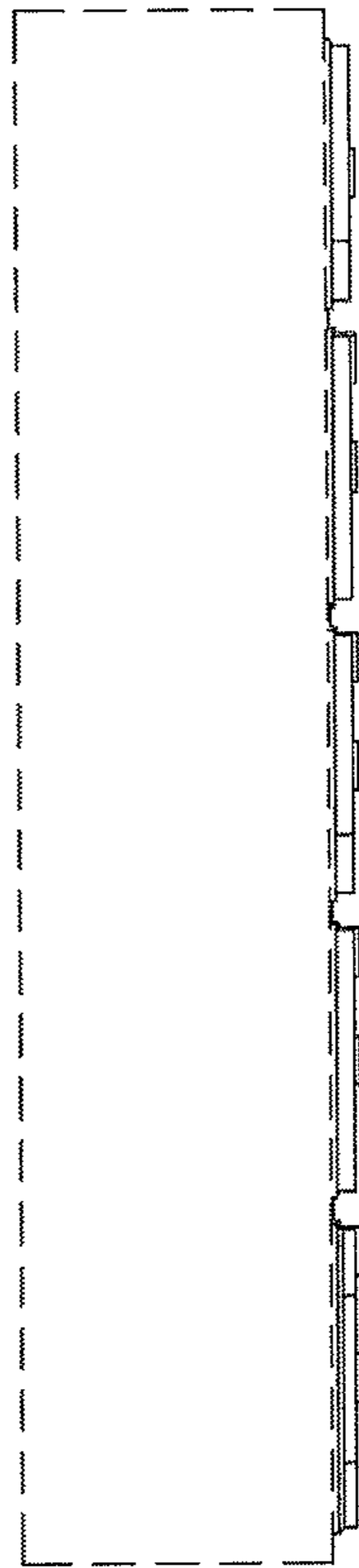


FIG.4

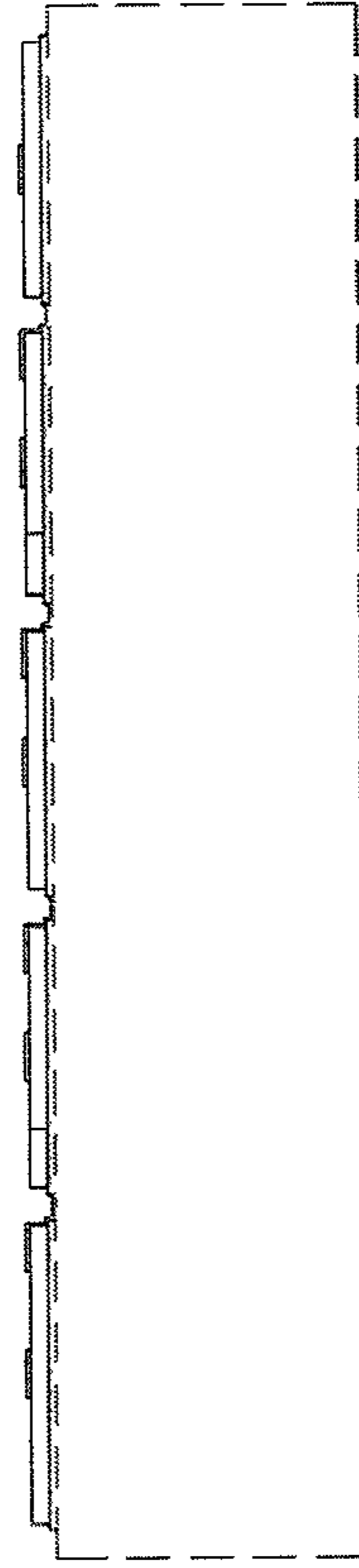


FIG.5

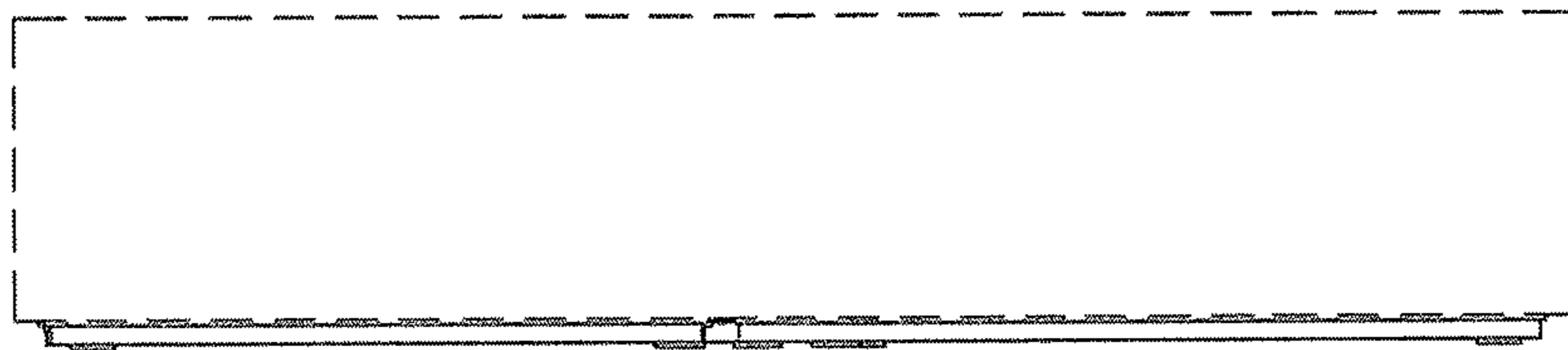


FIG. 6

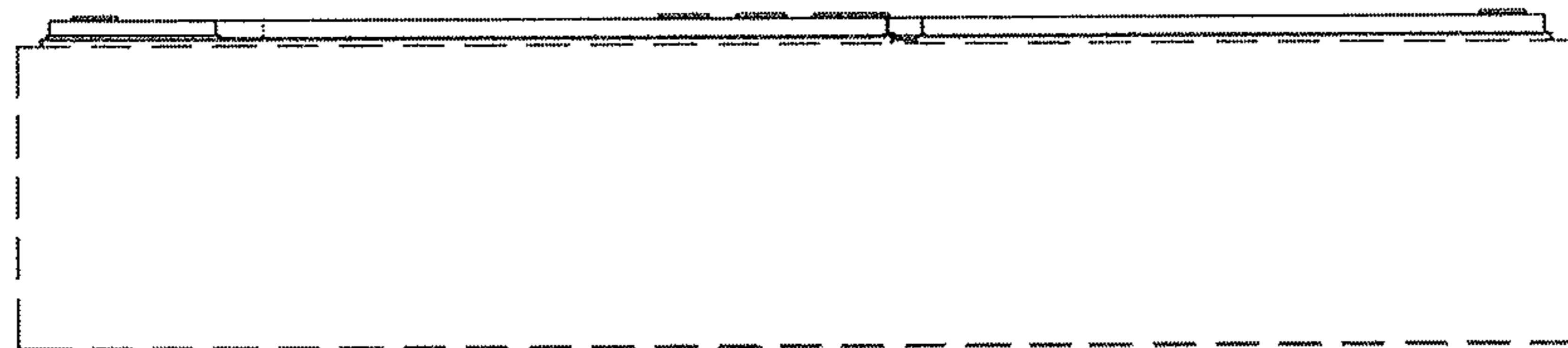


FIG. 7