



US00D680084S

(12) **United States Design Patent**
McDonald et al.

(10) **Patent No.:** **US D680,084 S**

(45) **Date of Patent:** **** Apr. 16, 2013**

(54) **TABLETOP REMOTE CONTROL KEYPAD**

2008/0136683 A1* 6/2008 Swatsky et al. 341/23
2009/0290336 A1* 11/2009 Senzaki et al. 362/231
2011/0266122 A1* 11/2011 Zaharchuk et al. 200/308

(75) Inventors: **Matthew Philip McDonald**,
Phoenixville, PA (US); **Edward M. Felegy, Jr.**,
Macungie, PA (US); **Gregory M. Snyder**,
Germansville, PA (US); **David William Petrillo**,
Pennington, NJ (US); **Gregory Altonen**,
Easton, PA (US); **Elliot G. Jacoby**,
Glenside, PA (US); **Joel S. Spira**,
Coopersburg, PA (US)

OTHER PUBLICATIONS

Crestron Electronics, Inc., Cameo Keypads Specification Sheet, Jul. 2006, 2 pages.
Crestron Electronics, Inc., Cameo Keypads Operations and Installation Guide, Feb. 2006, pp. front cover, i, 1-8, rear cover.

* cited by examiner

Primary Examiner — Selina Sikder

(73) Assignee: **Lutron Electronics Co., Inc.**,
Coopersburg, PA (US)

(74) *Attorney, Agent, or Firm* — Mark E. Rose; Philip N. Smith; Bridget L. McDonough

(**) Term: **14 Years**

(57) **CLAIM**

We claim the ornamental design for a tabletop remote control keypad, as shown and described.

(21) Appl. No.: **29/404,508**

DESCRIPTION

(22) Filed: **Oct. 21, 2011**

(51) **LOC (9) Cl.** **14-03**

(52) **U.S. Cl.**

USPC **D13/168**

(58) **Field of Classification Search** D13/168;

D14/218; 315/158, 295; 340/4.3, 4.42, 12.22,
340/12.23, 12.24, 12.29, 12.3, 13.2, 13.21,
340/13.24; 341/176; 345/169; 348/734;
455/352; 463/39; 700/17, 65, 83

See application file for complete search history.

FIG. 1 is a perspective view of a tabletop remote control keypad according to a first embodiment of our new design.
FIG. 2 is a front view thereof.
FIG. 3 is a left side view thereof.
FIG. 4 is a right side view thereof.
FIG. 5 is a top view thereof.
FIG. 6 is a bottom view thereof.
FIG. 7 is a perspective view of a tabletop remote control keypad according to a second embodiment of our new design.
FIG. 8 is a front view thereof.
FIG. 9 is a left side view thereof.
FIG. 10 is a right side view thereof.
FIG. 11 is a top view thereof.
FIG. 12 is a bottom view thereof.
FIG. 13 is a perspective view of a tabletop remote control keypad according to a third embodiment of our new design.
FIG. 14 is a front view thereof.
FIG. 15 is a left side view thereof.
FIG. 16 is a right side view thereof.
FIG. 17 is a top view thereof.
FIG. 18 is a bottom view thereof.
FIG. 19 is a perspective view of a tabletop remote control keypad according to a fourth embodiment of our new design.
FIG. 20 is a front view thereof.
FIG. 21 is a left side view thereof.

(56) **References Cited**

U.S. PATENT DOCUMENTS

D297,406 S * 8/1988 Yandek et al. D8/353
6,930,260 B2* 8/2005 Clegg et al. 200/5 A
D518,794 S * 4/2006 Hedderich et al. D13/164
D625,273 S * 10/2010 Felegy et al. D13/168
D626,092 S * 10/2010 Clymer et al. D13/168
D631,849 S * 2/2011 Jacoby et al. D13/168
D631,850 S * 2/2011 Jacoby et al. D13/168
D631,852 S * 2/2011 Clymer et al. D13/168
D633,448 S * 3/2011 Biery et al. D13/171
D638,375 S * 5/2011 Clymer et al. D13/168
D638,805 S * 5/2011 Clymer et al. D13/168
2008/0111491 A1* 5/2008 Spira 315/158

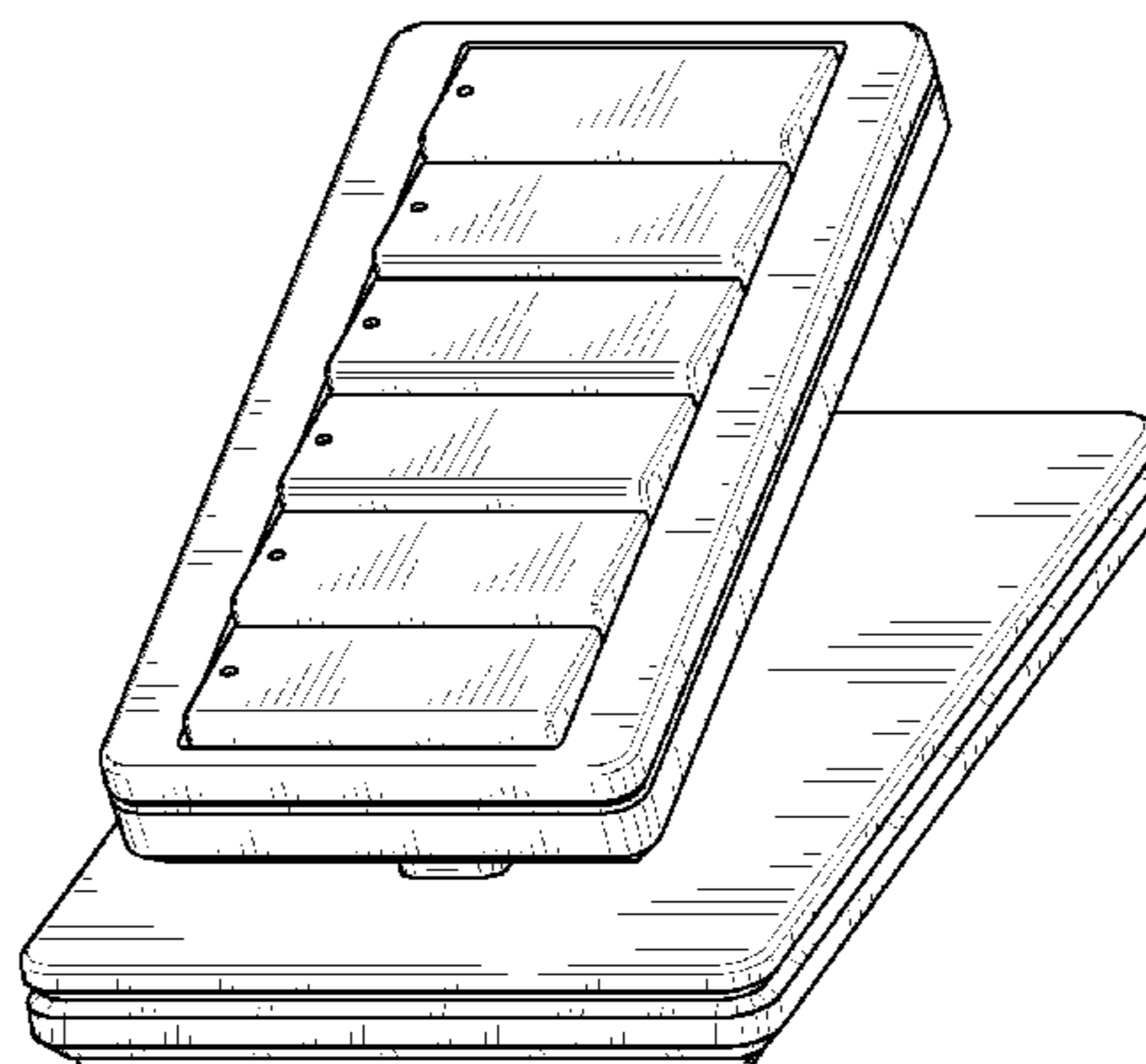


FIG. 22 is a right side view thereof.
FIG. 23 is a top view thereof.
FIG. 24 is a bottom view thereof.
FIG. 25 is a perspective view of a tabletop remote control keypad according to a fifth embodiment of our new design.
FIG. 26 is a front view thereof.
FIG. 27 is a left side view thereof.
FIG. 28 is a right side view thereof.
FIG. 29 is a top view thereof.
FIG. 30 is a bottom view thereof.
FIG. 31 is a perspective view of a tabletop remote control keypad according to a sixth embodiment of our new design.
FIG. 32 is a front view thereof.
FIG. 33 is a left side view thereof.
FIG. 34 is a right side view thereof.
FIG. 35 is a top view thereof.
FIG. 36 is a bottom view thereof.

FIG. 37 is a perspective view of a tabletop remote control keypad according to a seventh embodiment of our new design.
FIG. 38 is a front view thereof.
FIG. 39 is a left side view thereof.
FIG. 40 is a right side view thereof.
FIG. 41 is a top view thereof.
FIG. 42 is a bottom view thereof
FIG. 43 is a perspective view of a tabletop remote control keypad according to an eighth embodiment of our new design.
FIG. 44 is a front view thereof.
FIG. 45 is a left side view thereof.
FIG. 46 is a right side view thereof.
FIG. 47 is a top view thereof; and,
FIG. 48 is a bottom view thereof.
The rear views form no part of the design and are omitted.

1 Claim, 32 Drawing Sheets

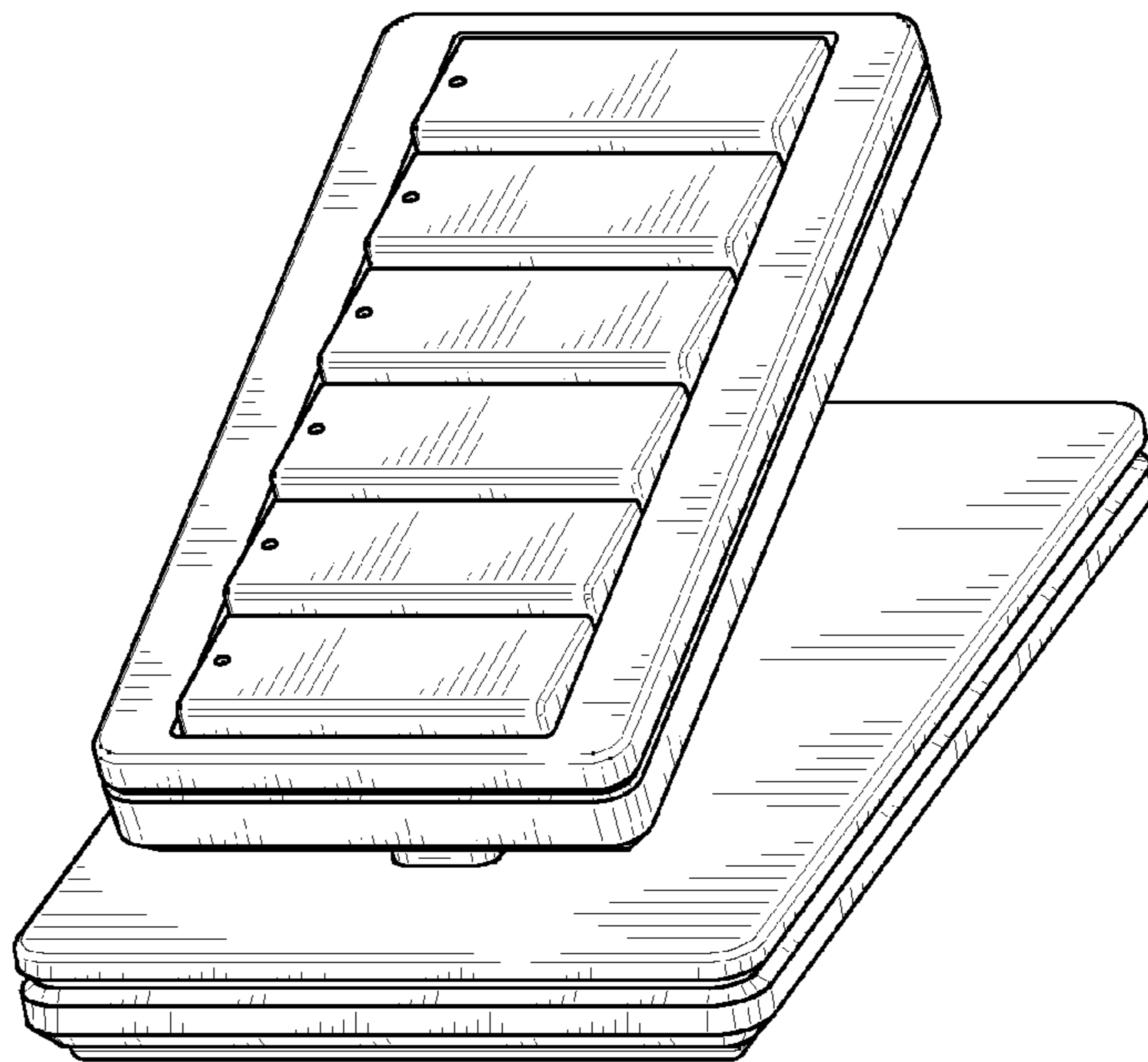


Fig. 1

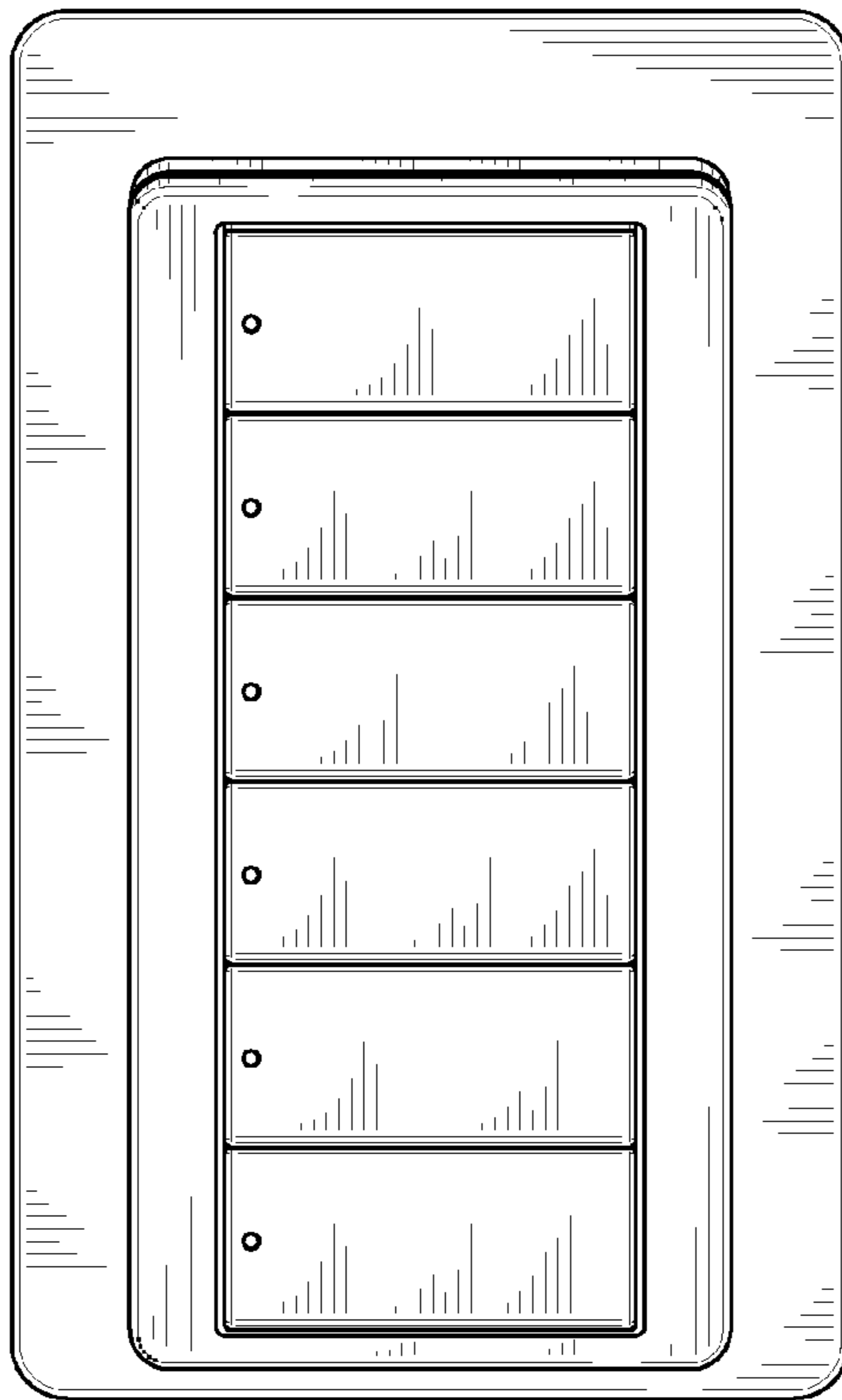


Fig. 2

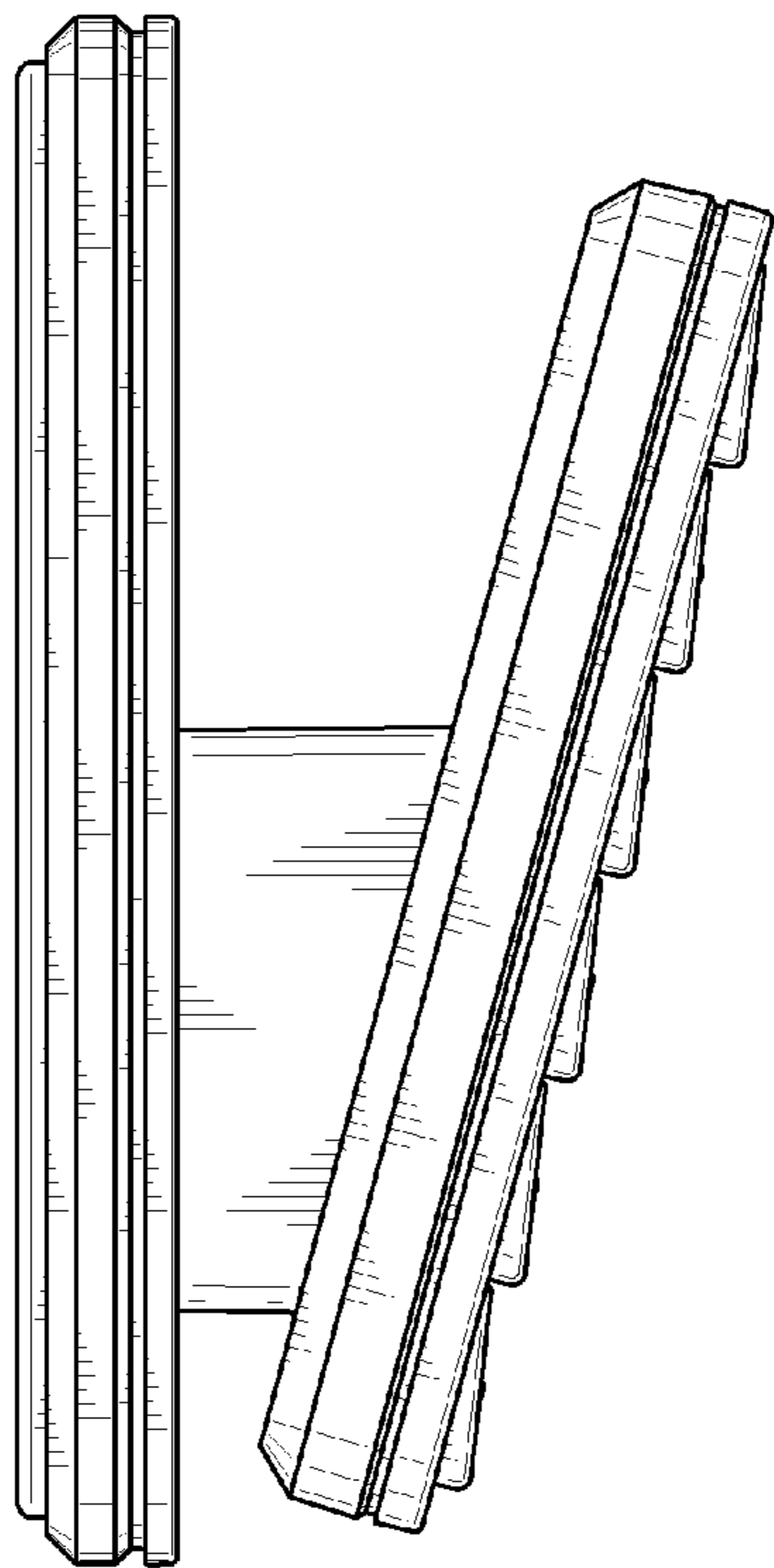


Fig. 3

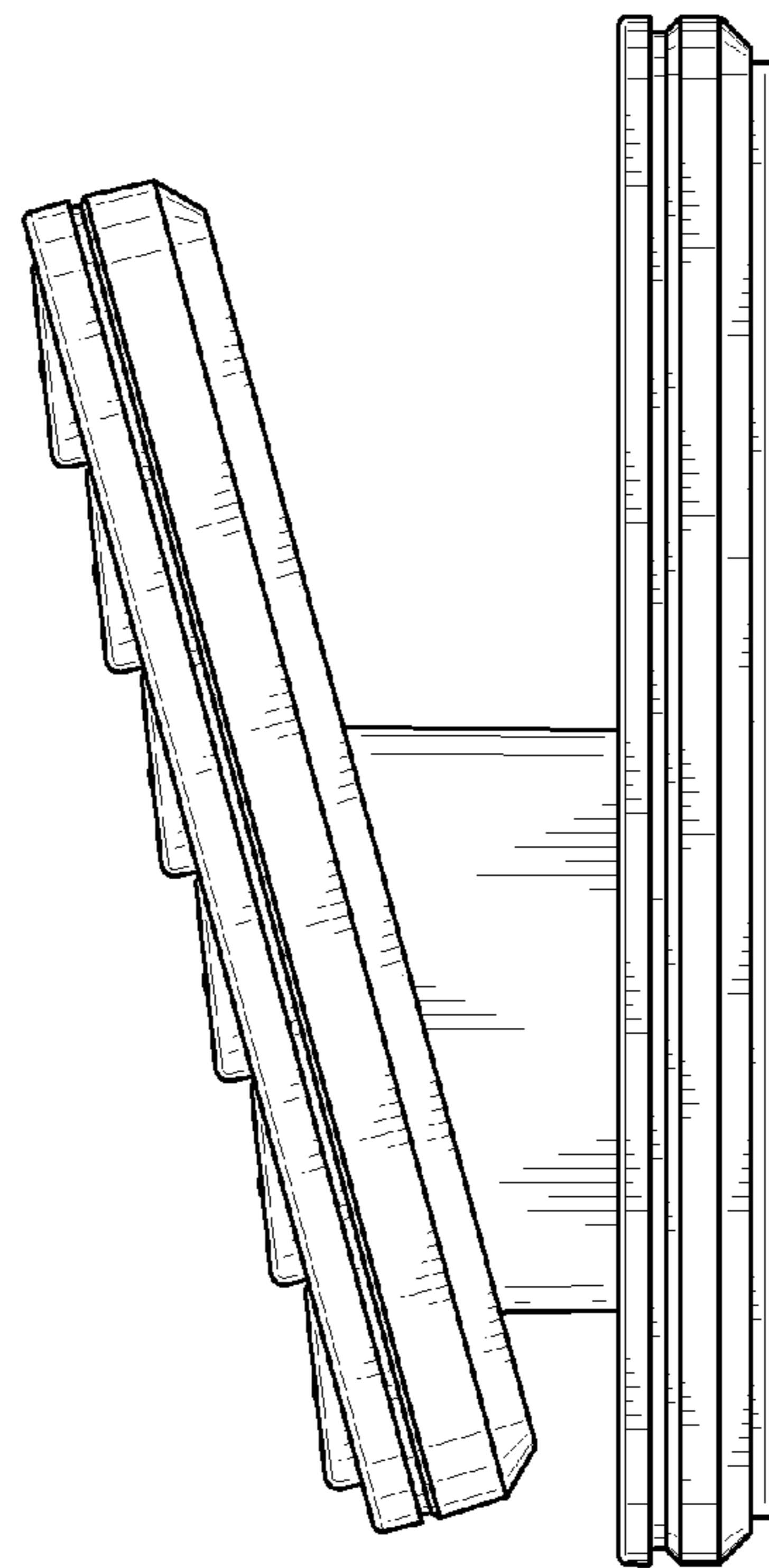


Fig. 4

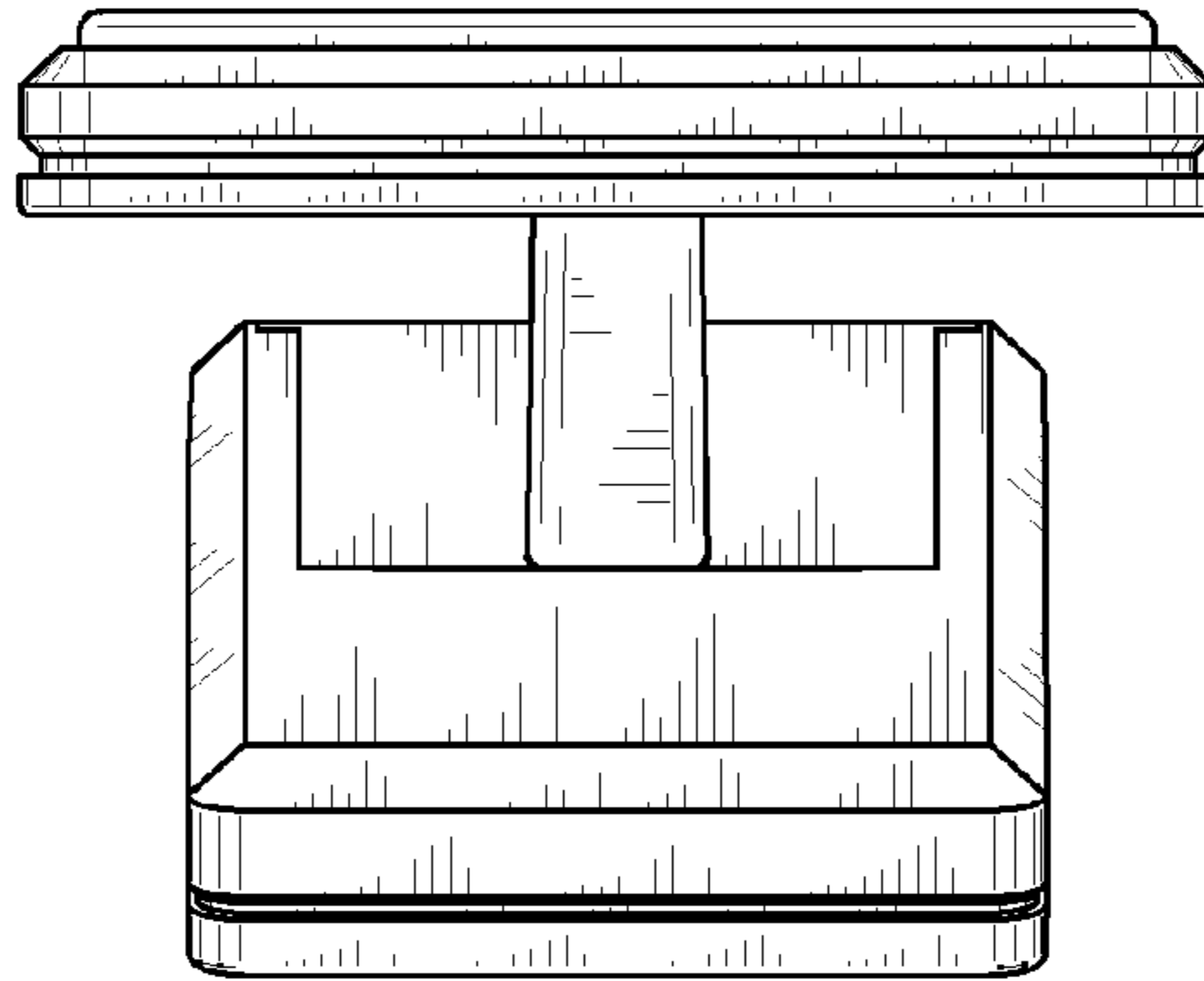


Fig. 5

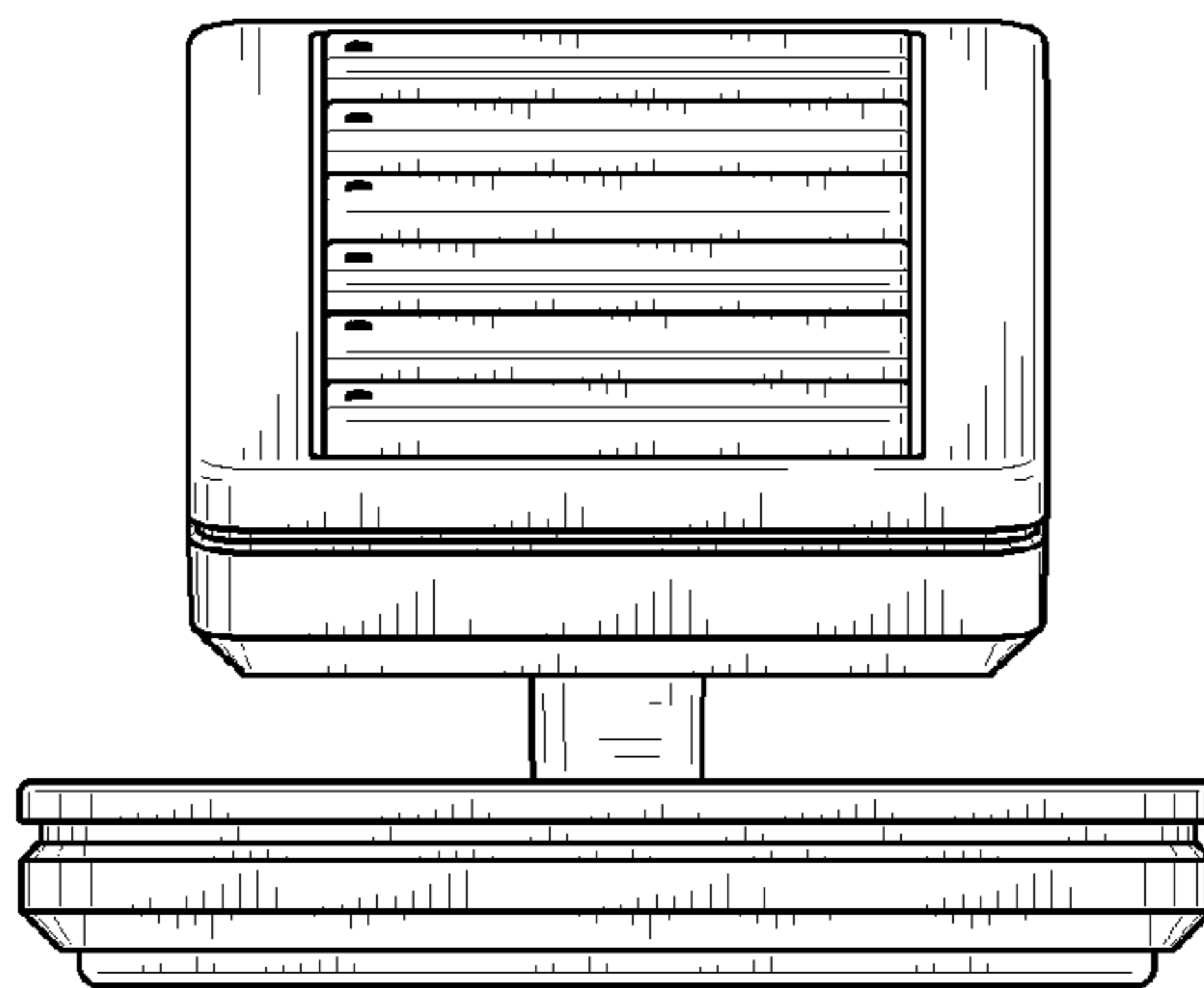


Fig. 6

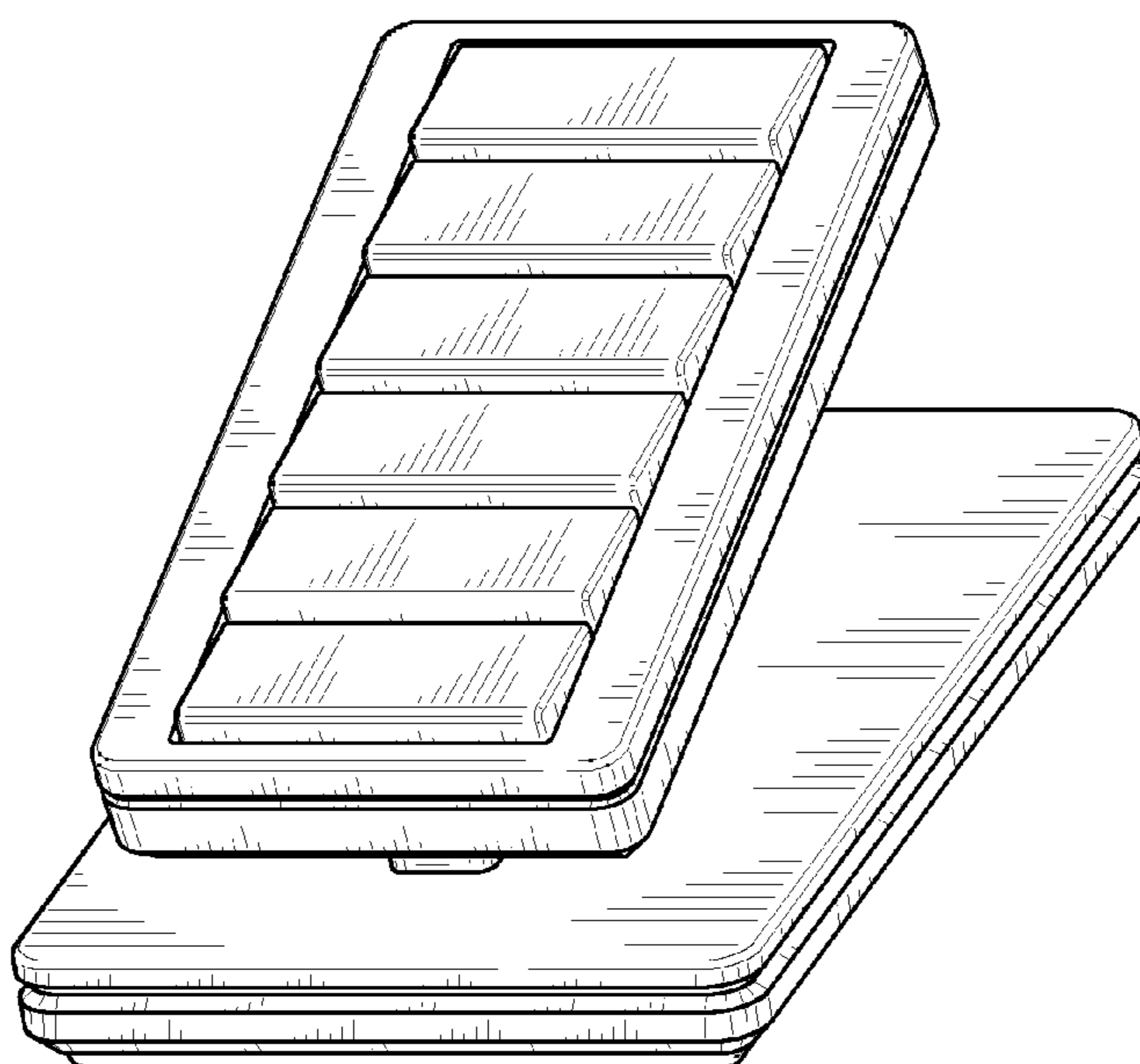


Fig. 7

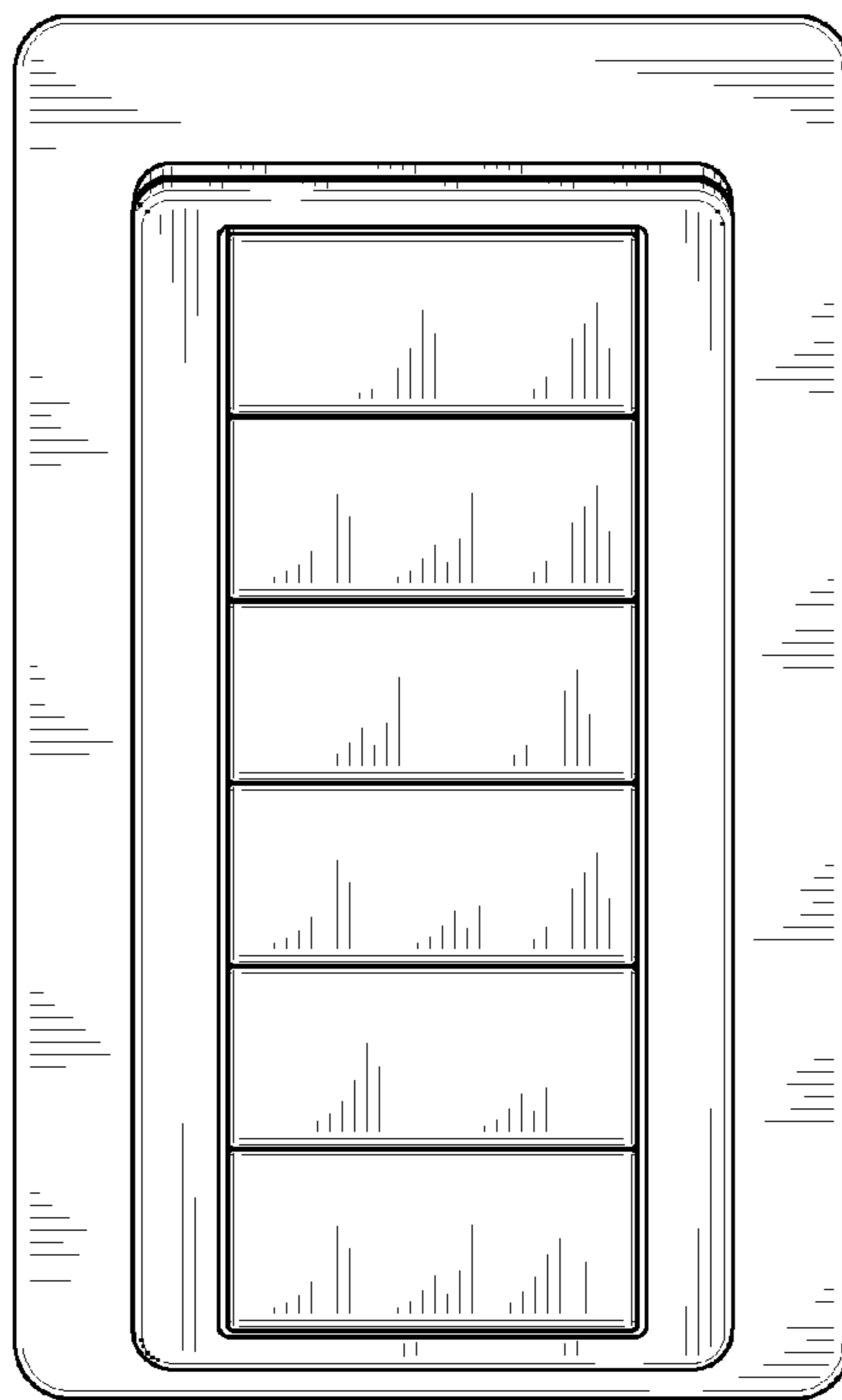


Fig. 8

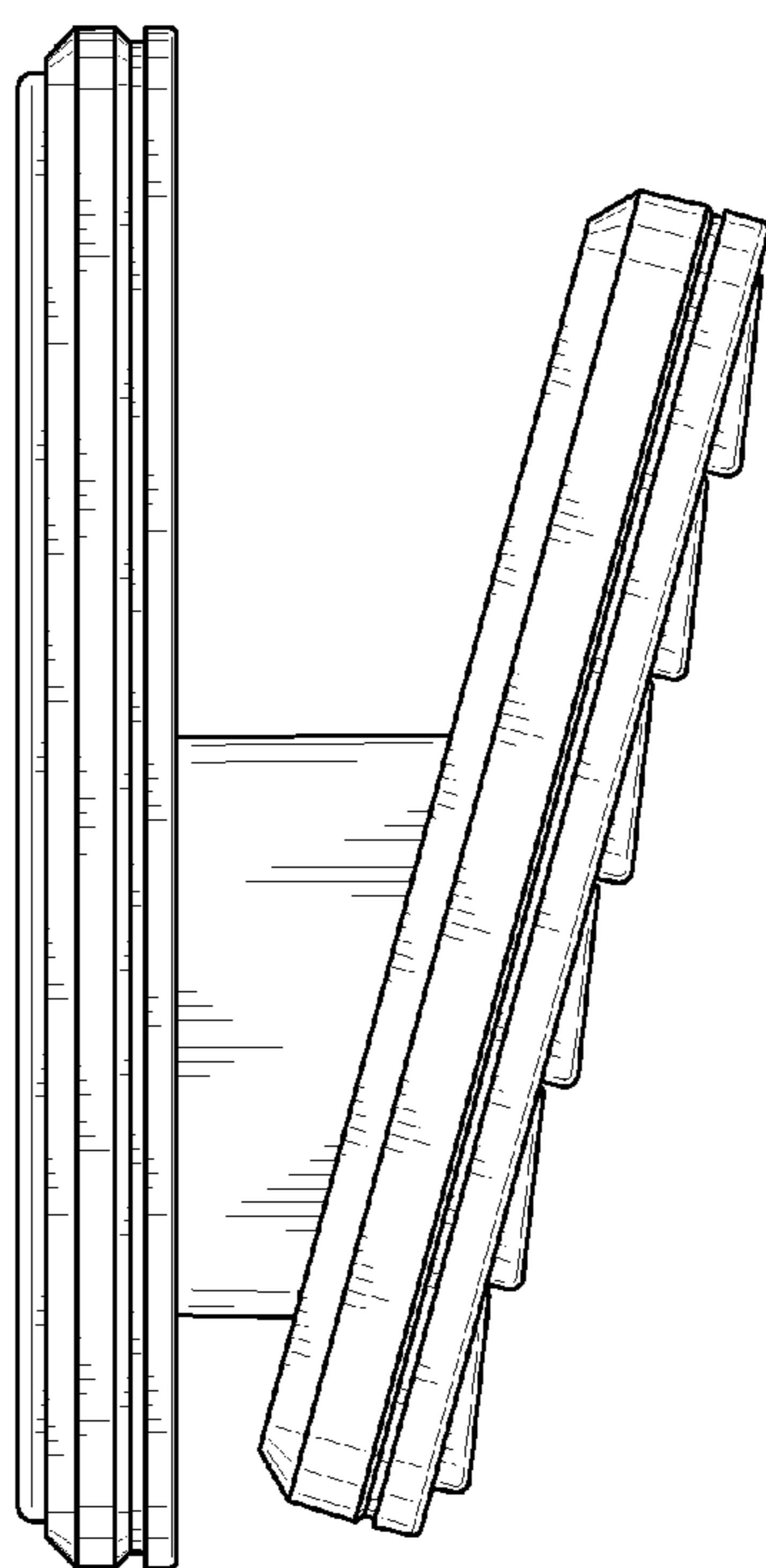


Fig. 9

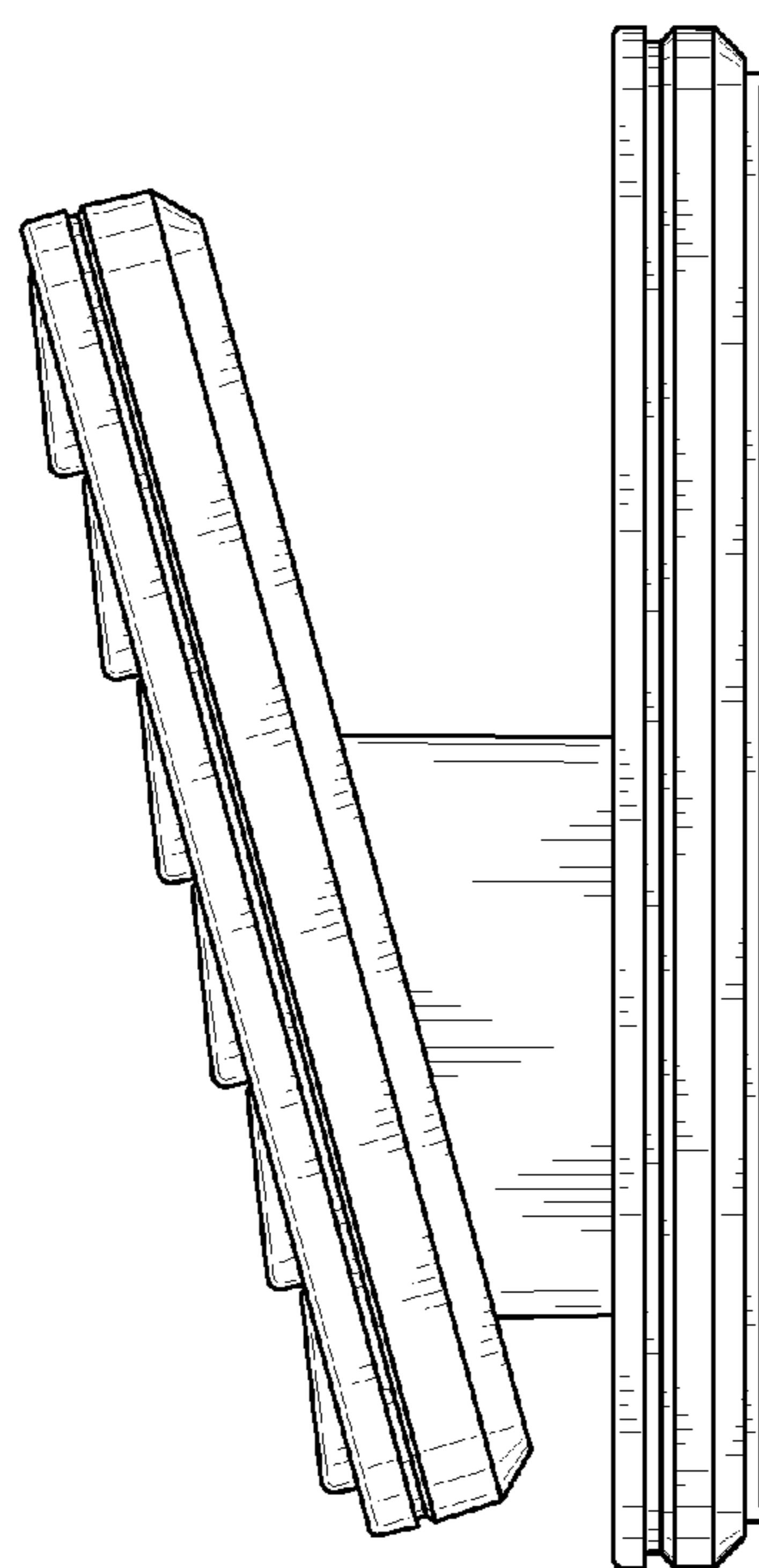


Fig. 10

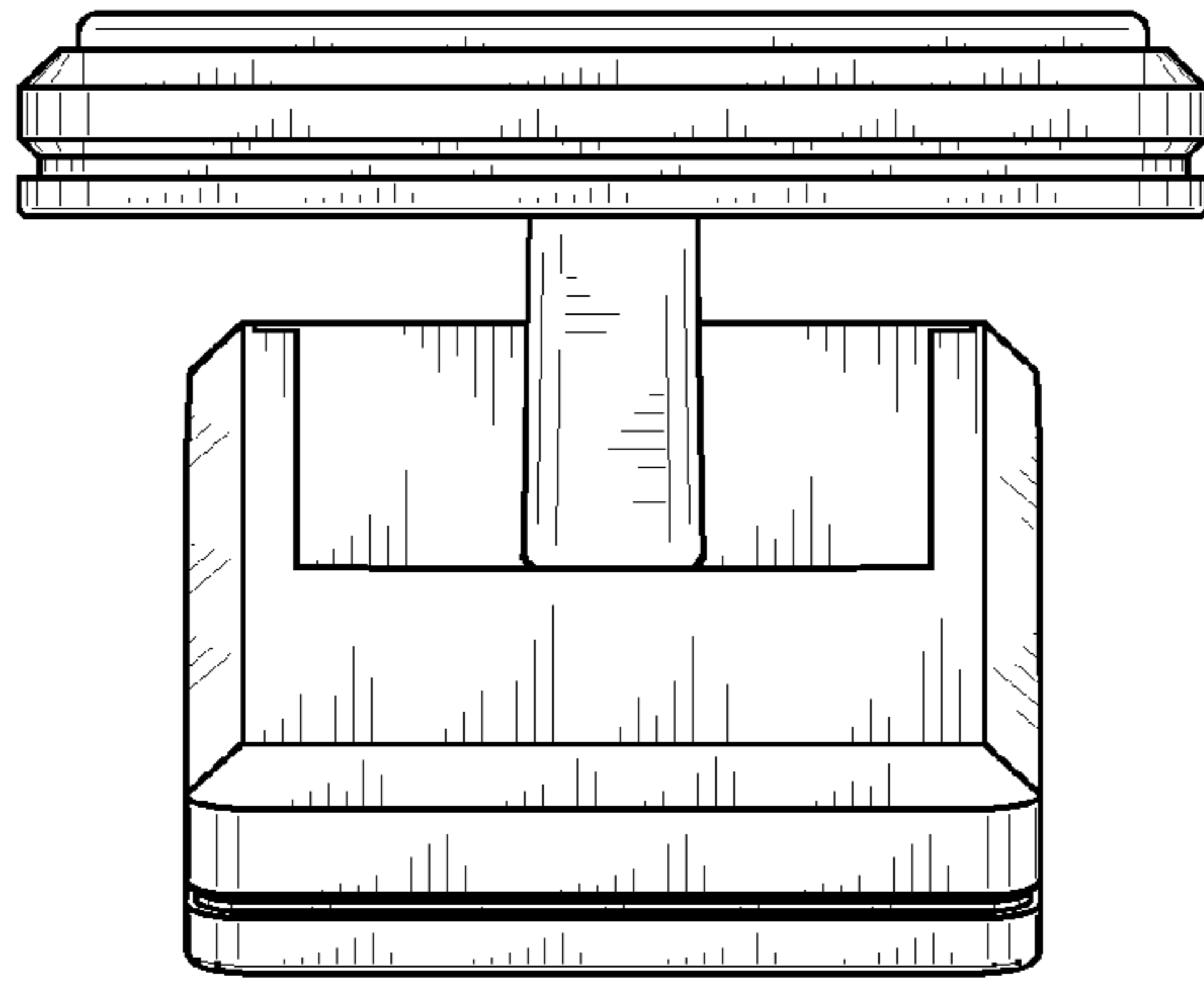


Fig. 11

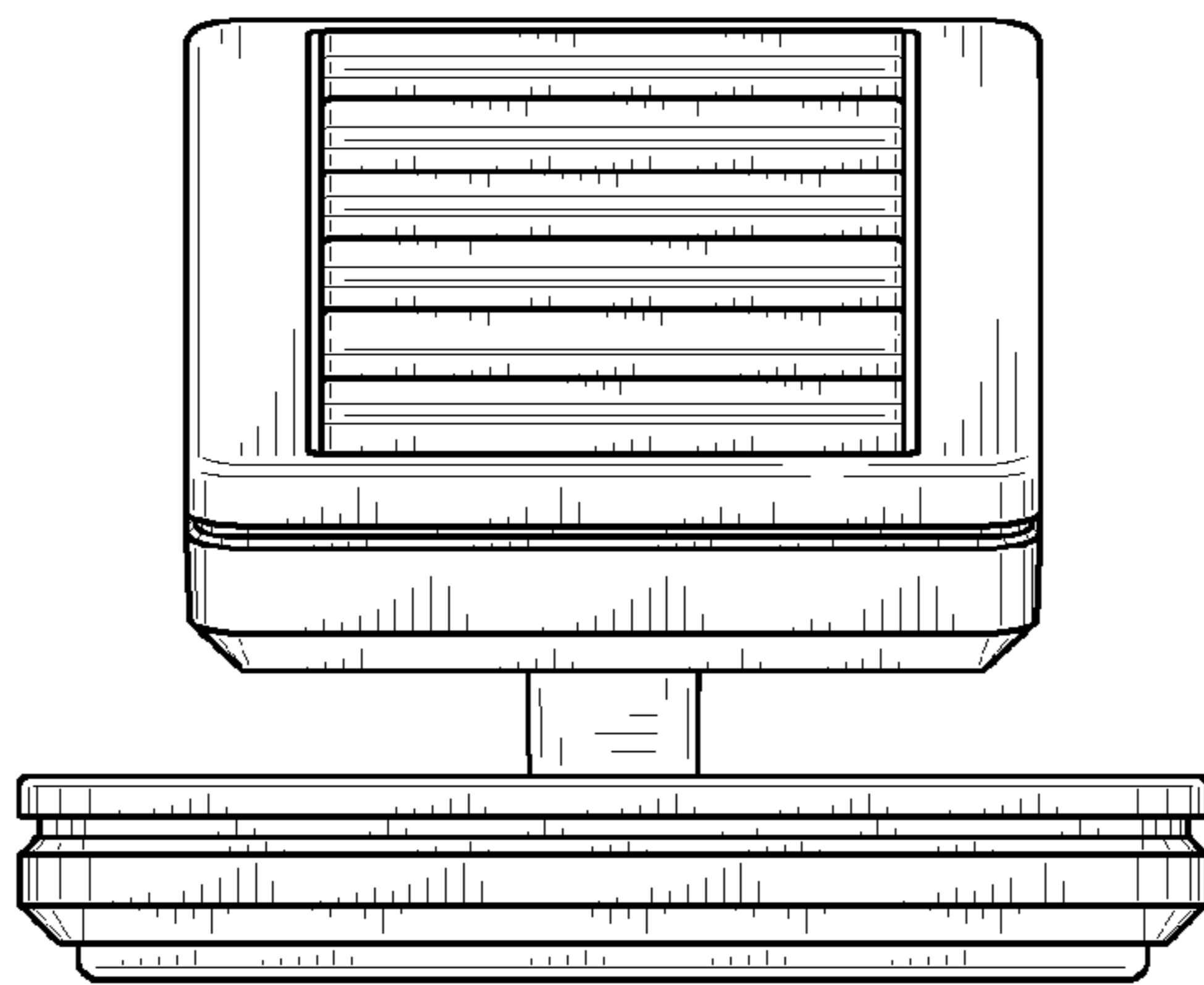


Fig. 12

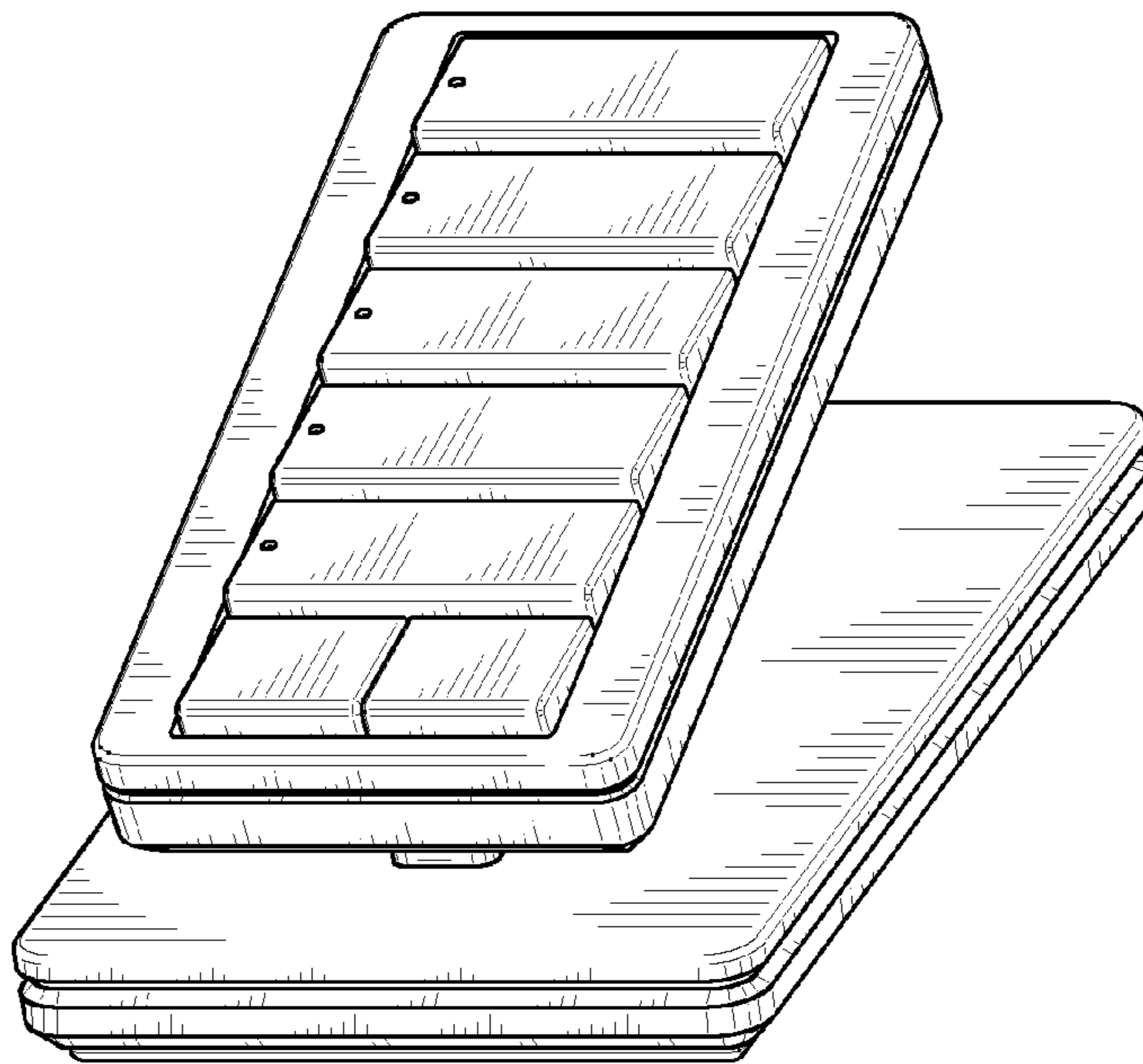


Fig. 13



Fig. 14

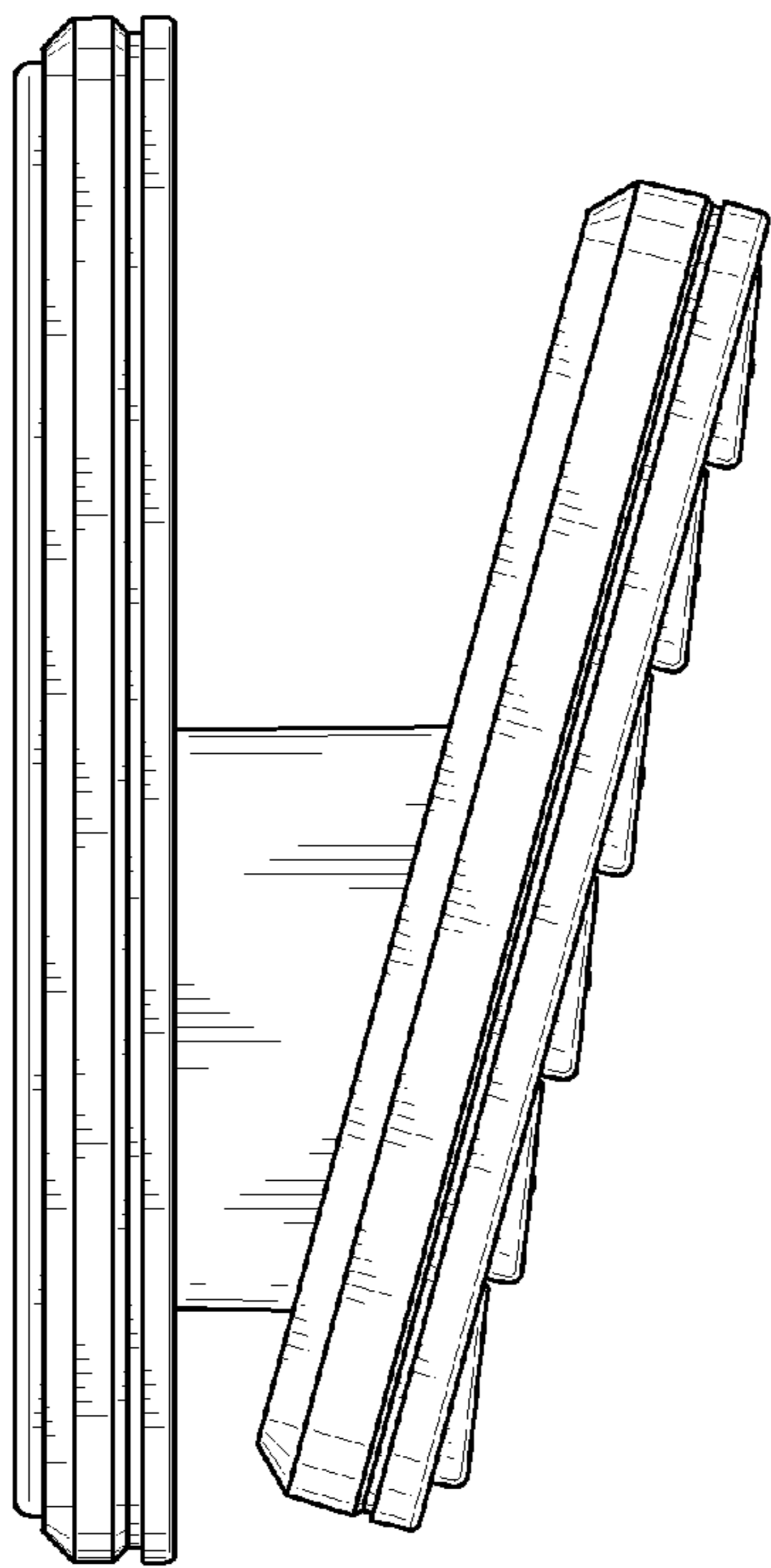


Fig. 15

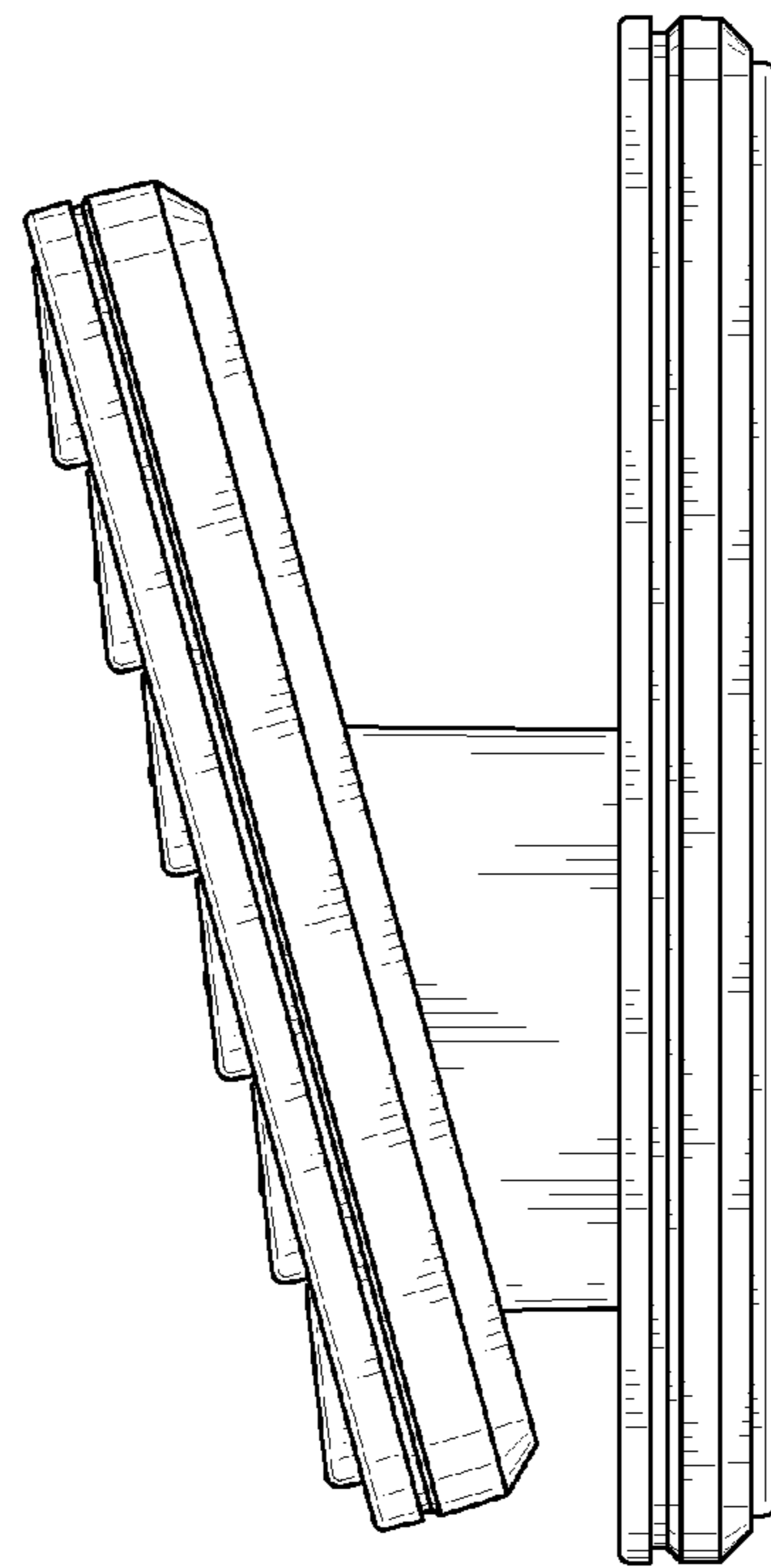


Fig. 16

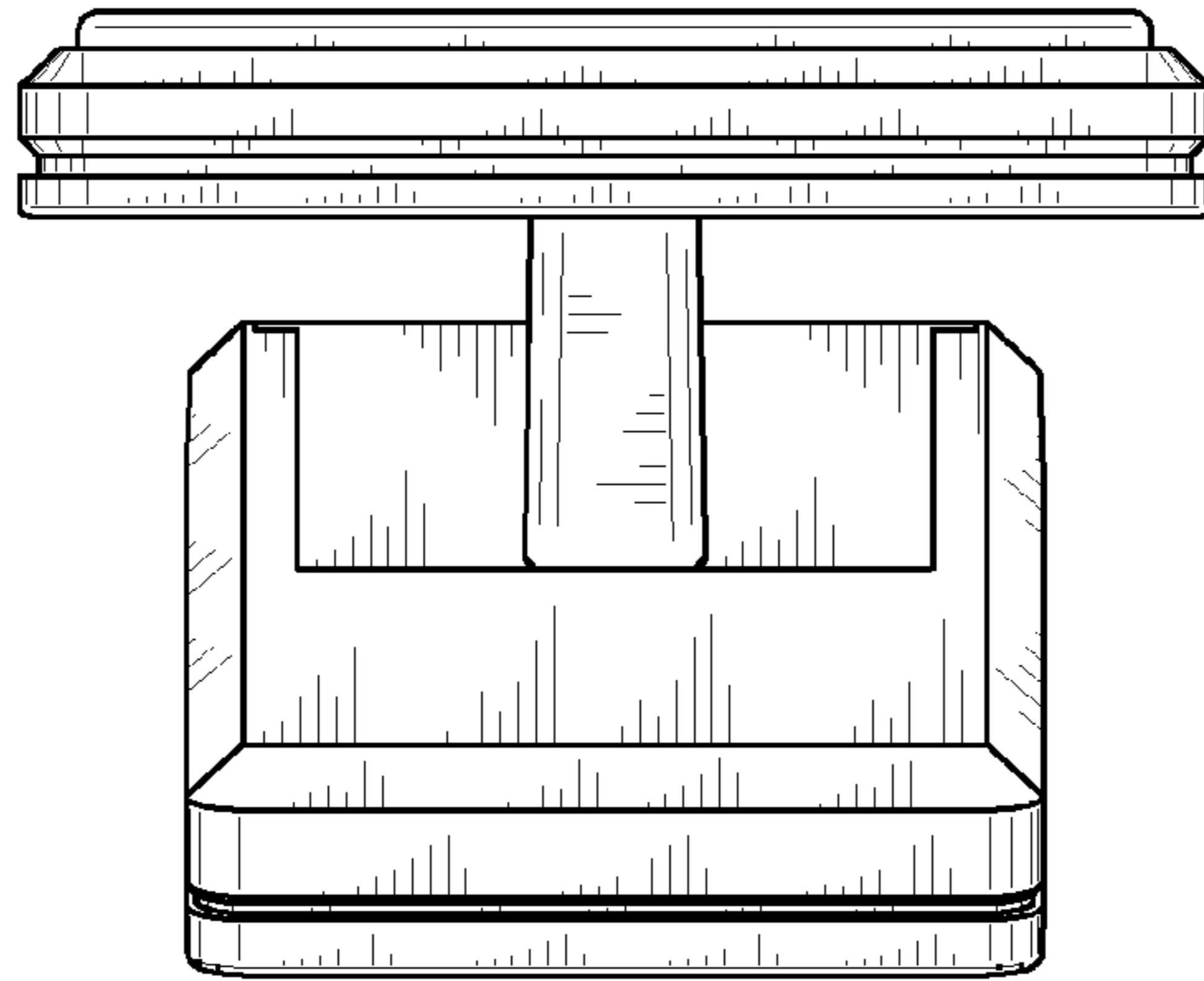


Fig. 17

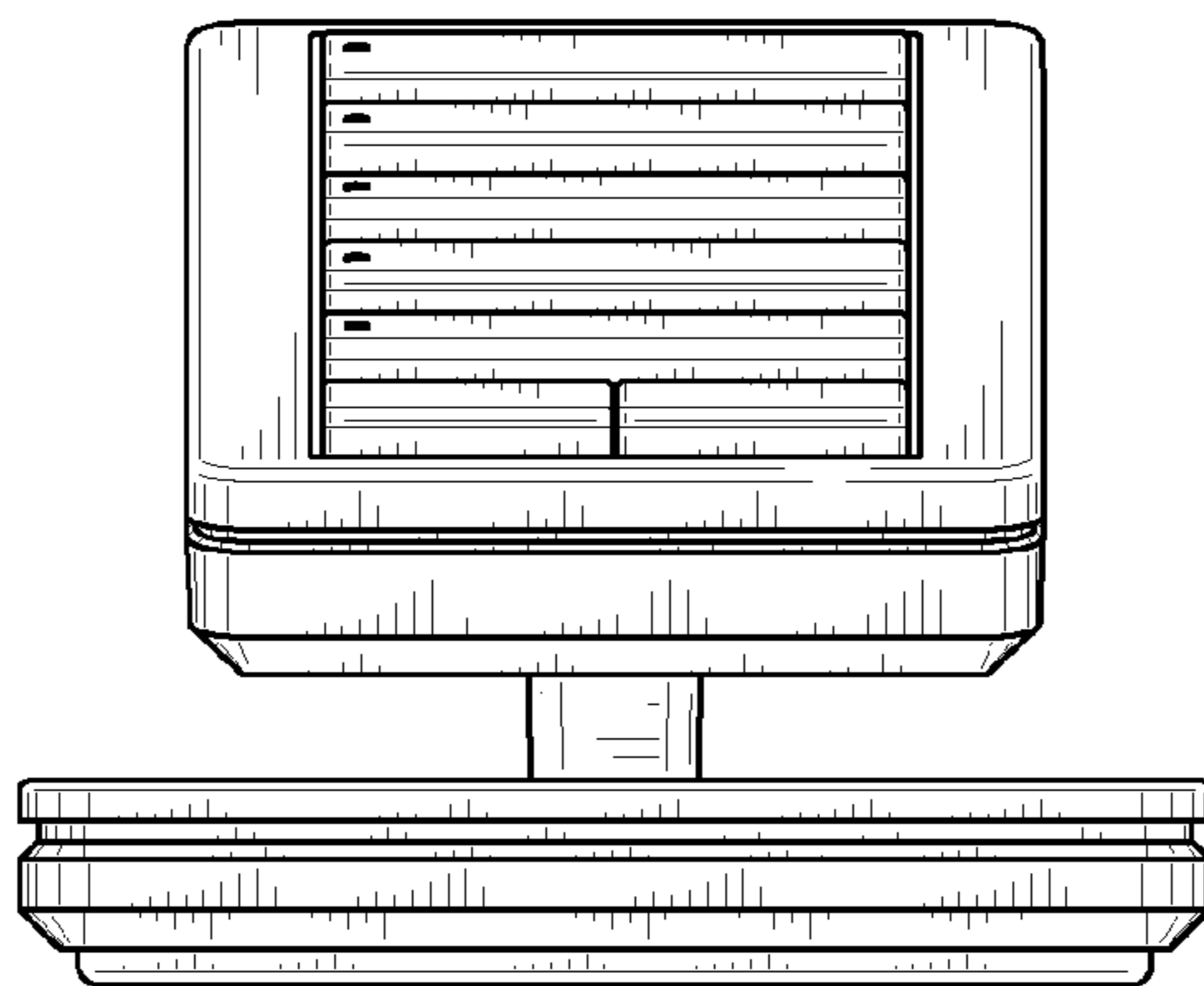


Fig. 18

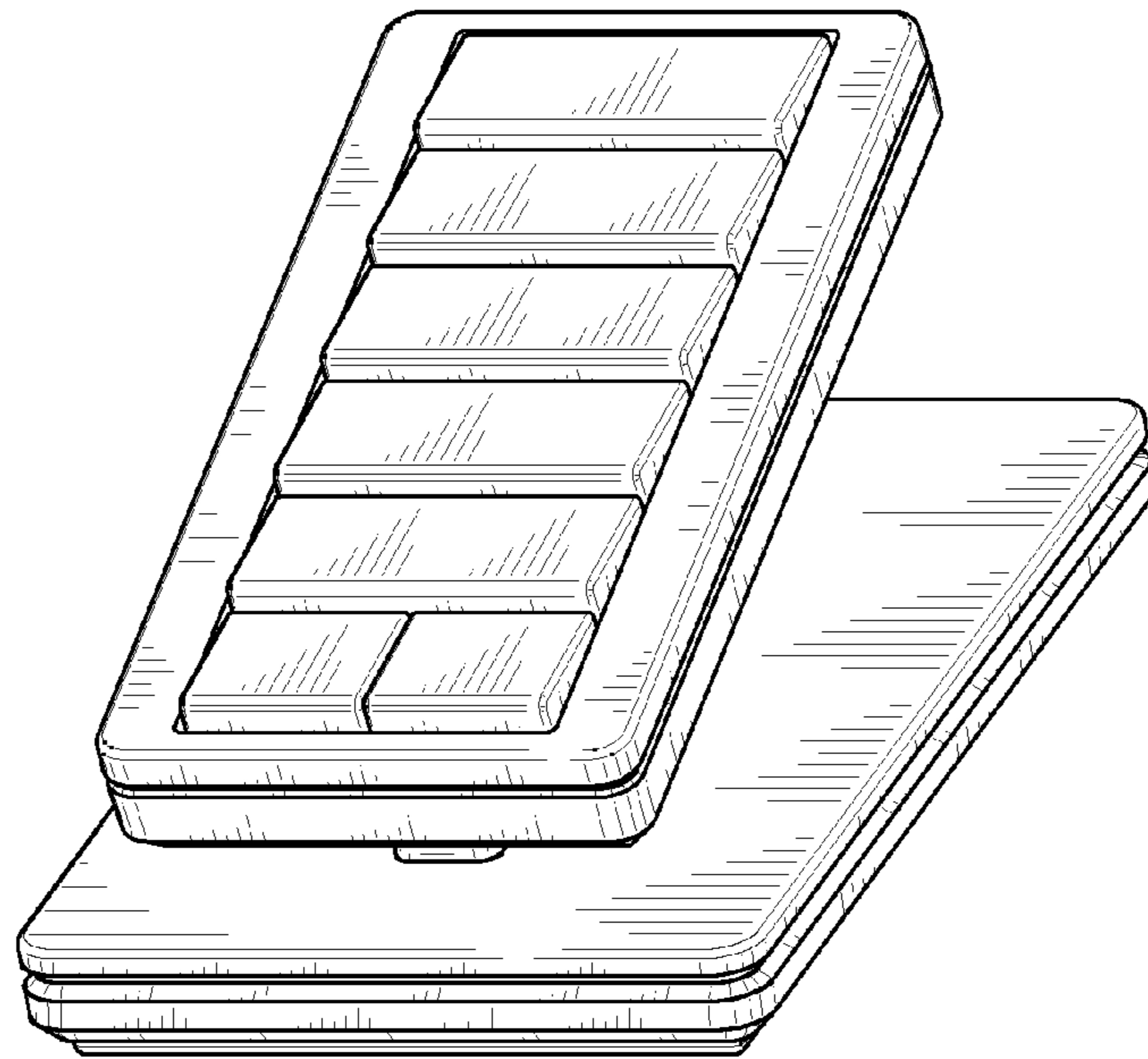


Fig. 19

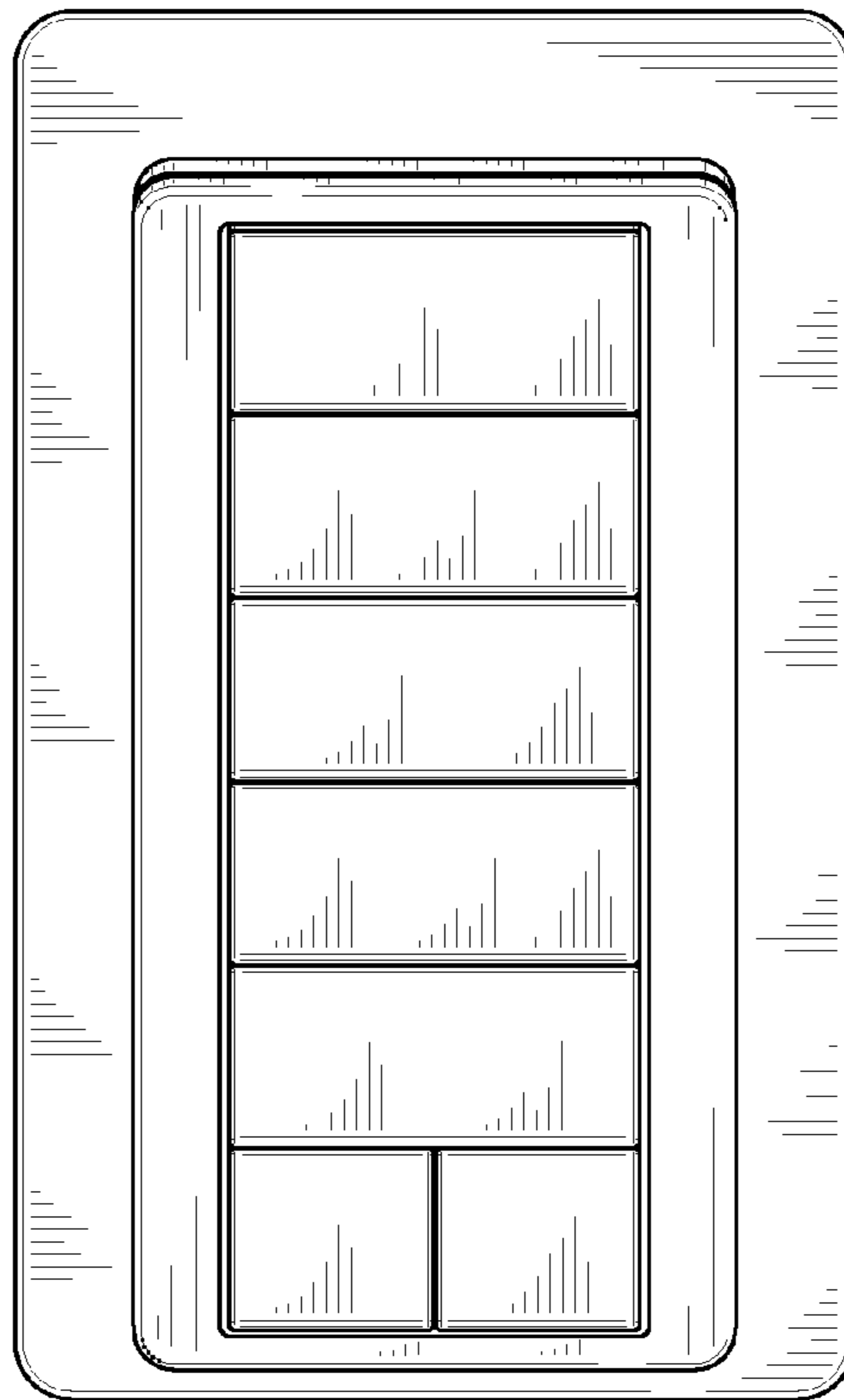


Fig. 20

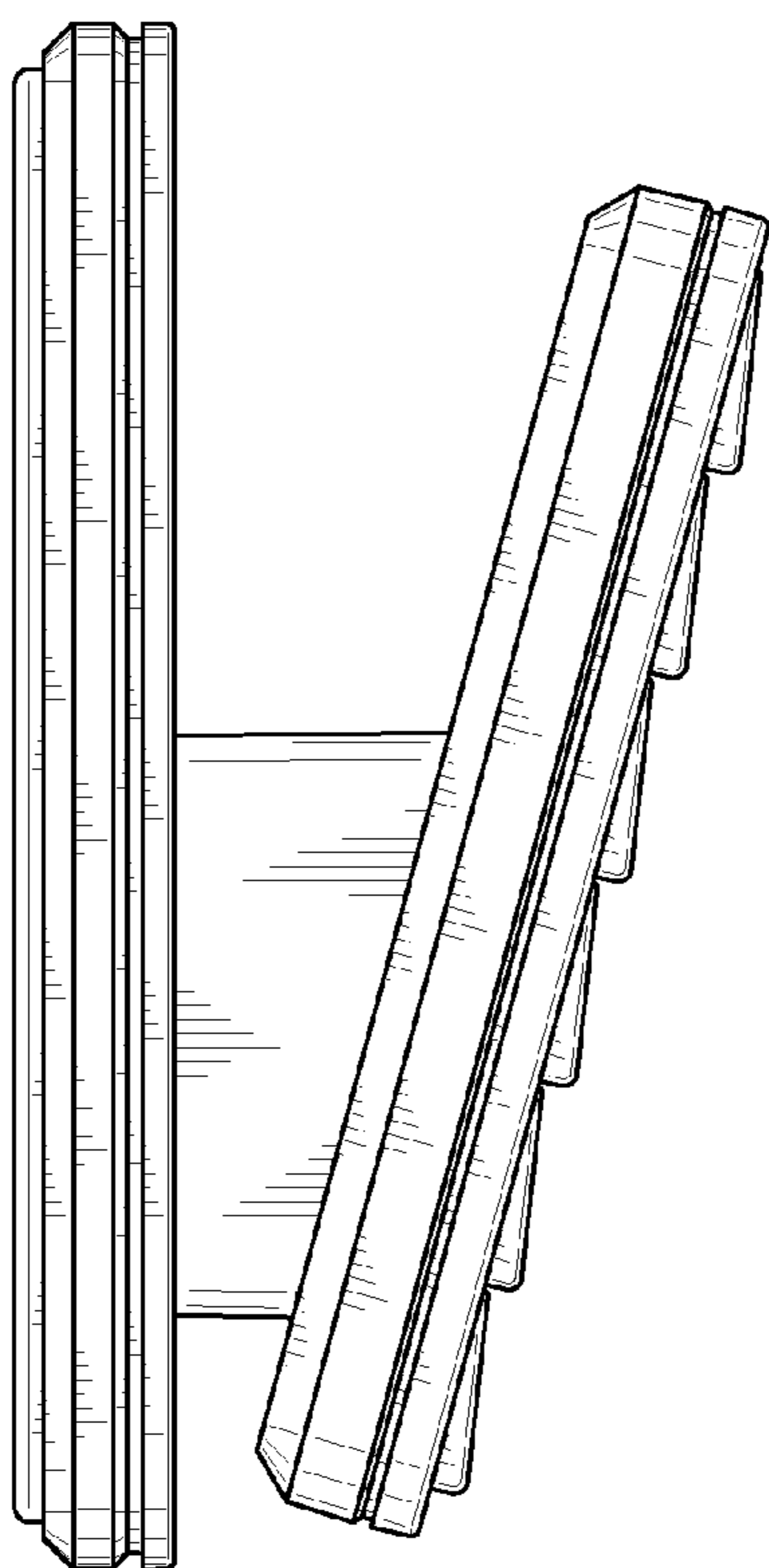


Fig. 21

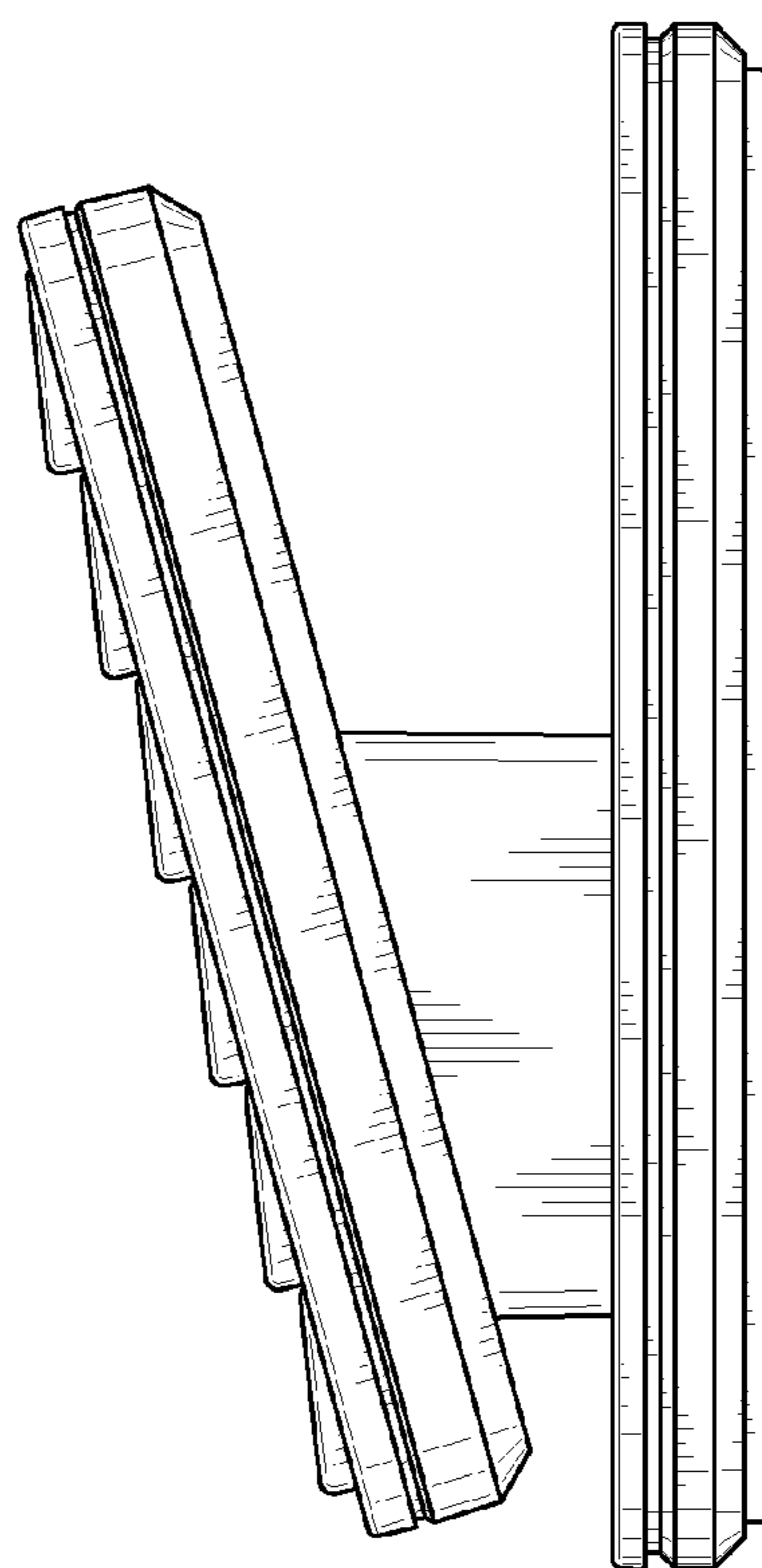


Fig. 22

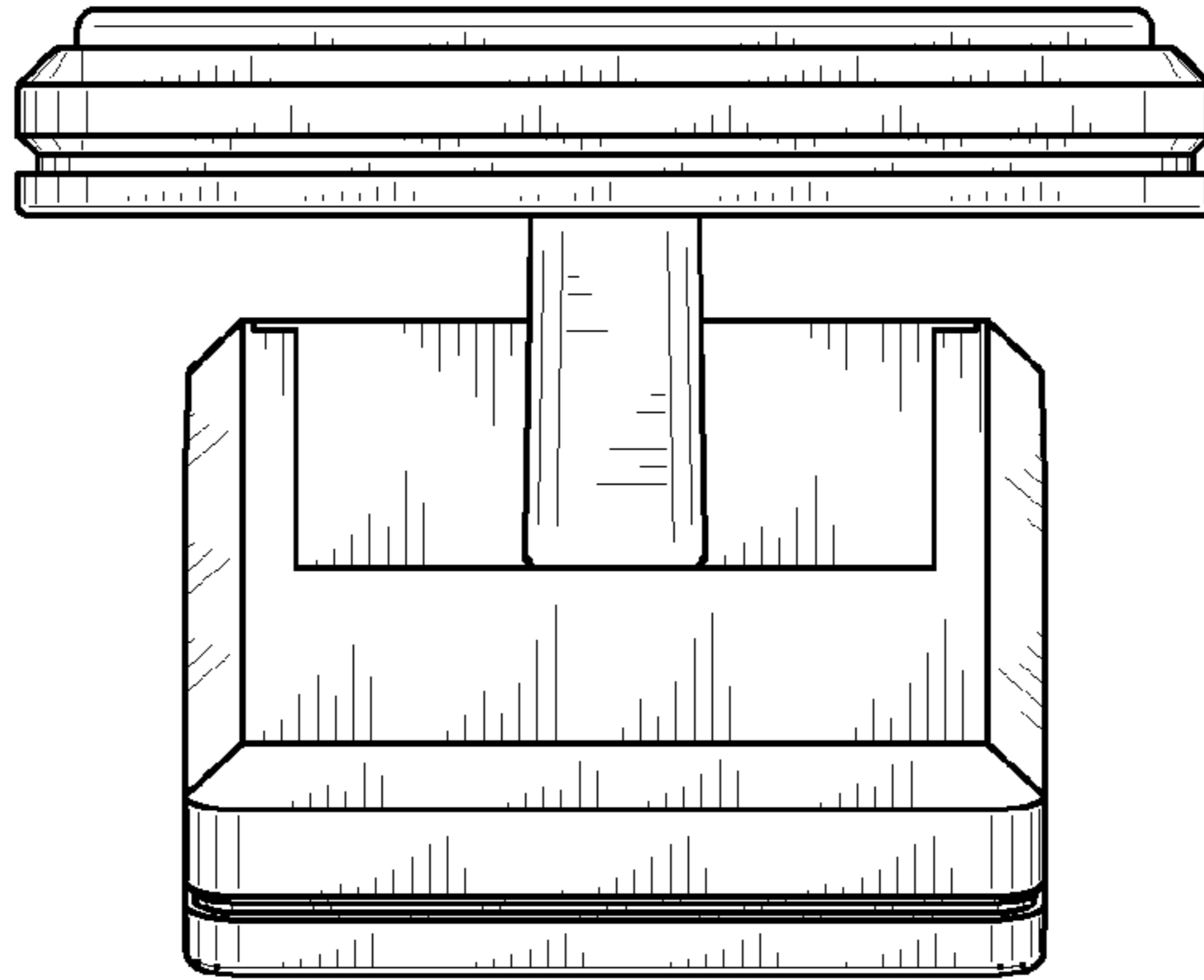


Fig. 23

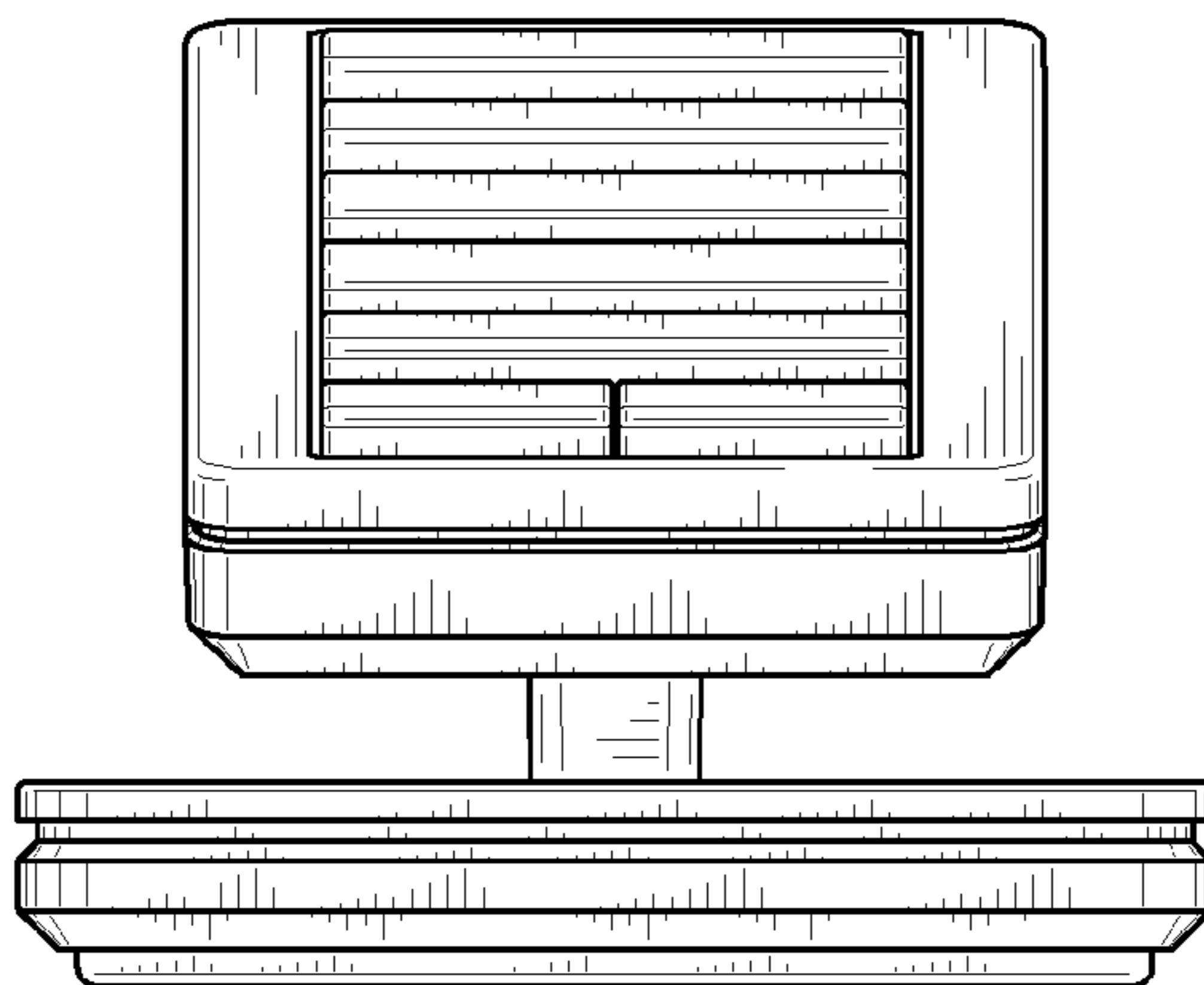


Fig. 24

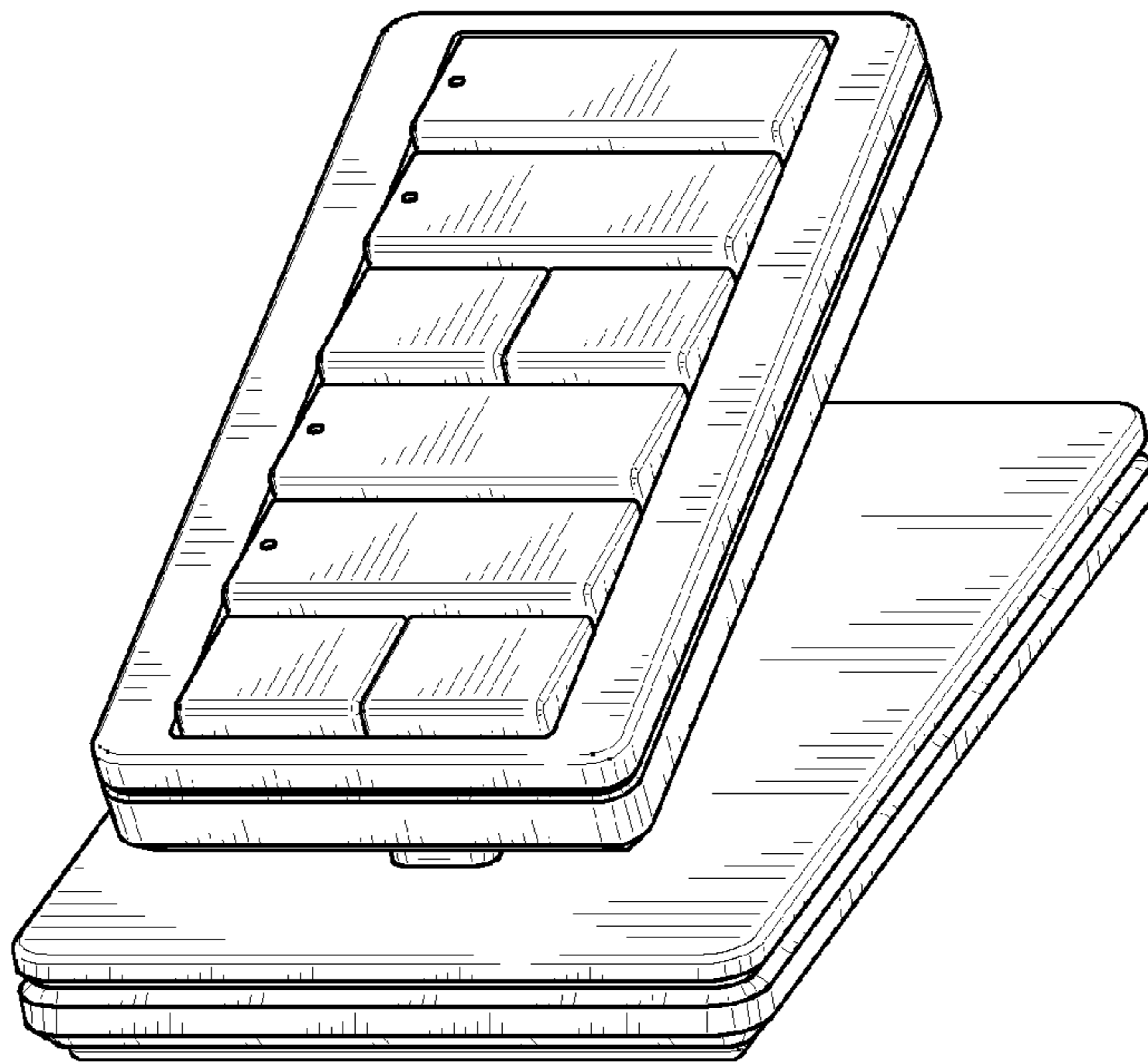


Fig. 25

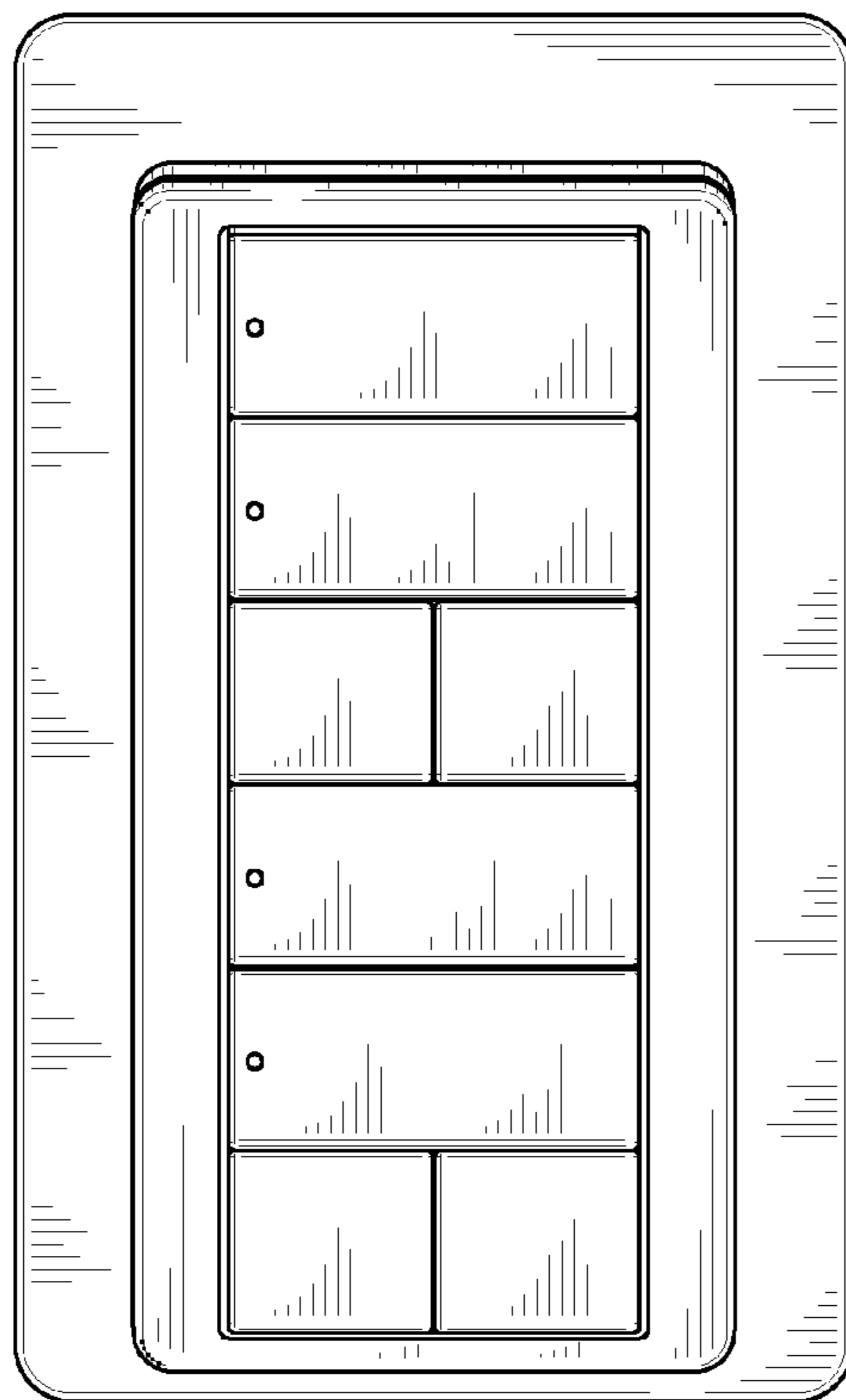


Fig. 26

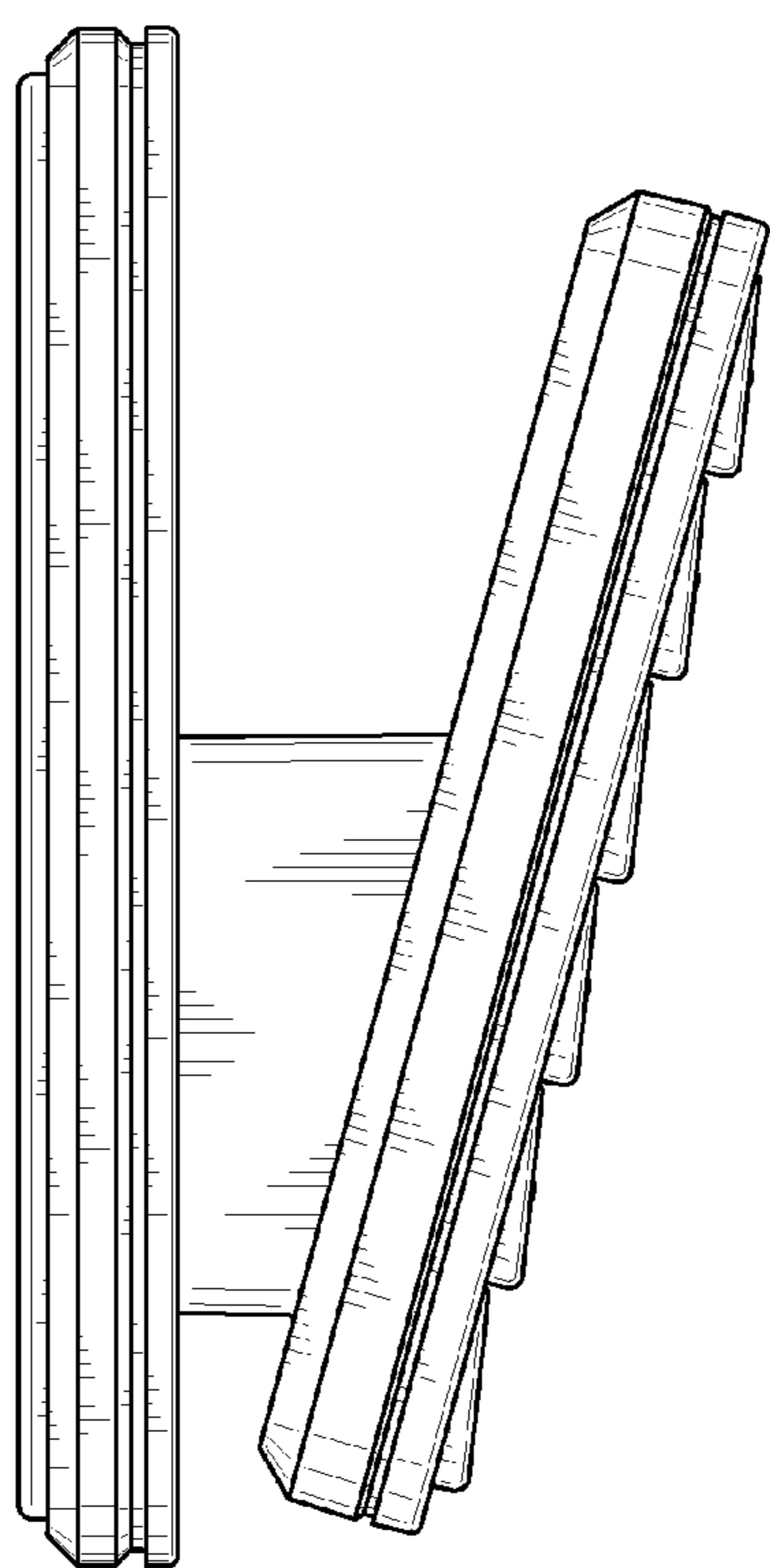


Fig. 27

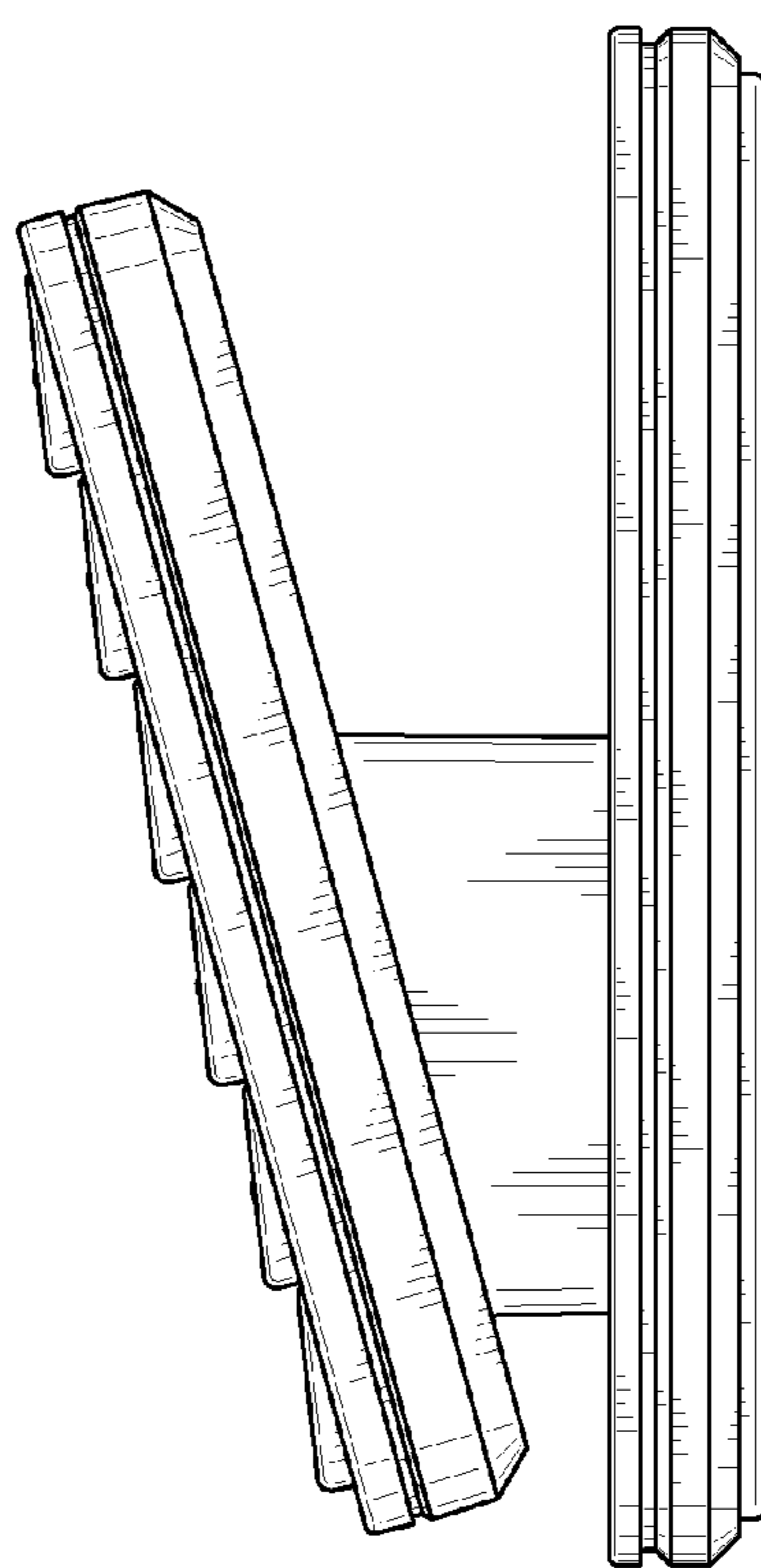


Fig. 28

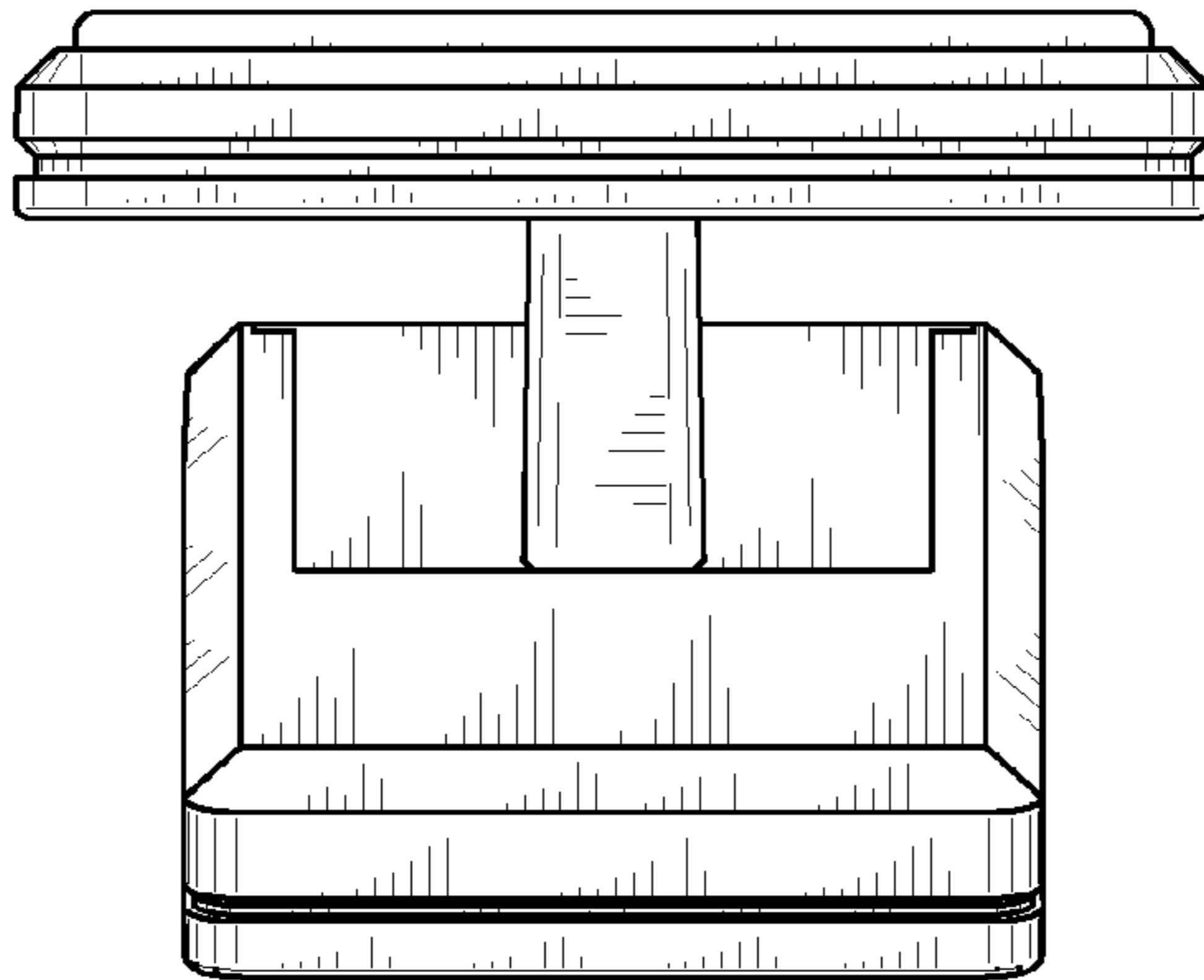


Fig. 29

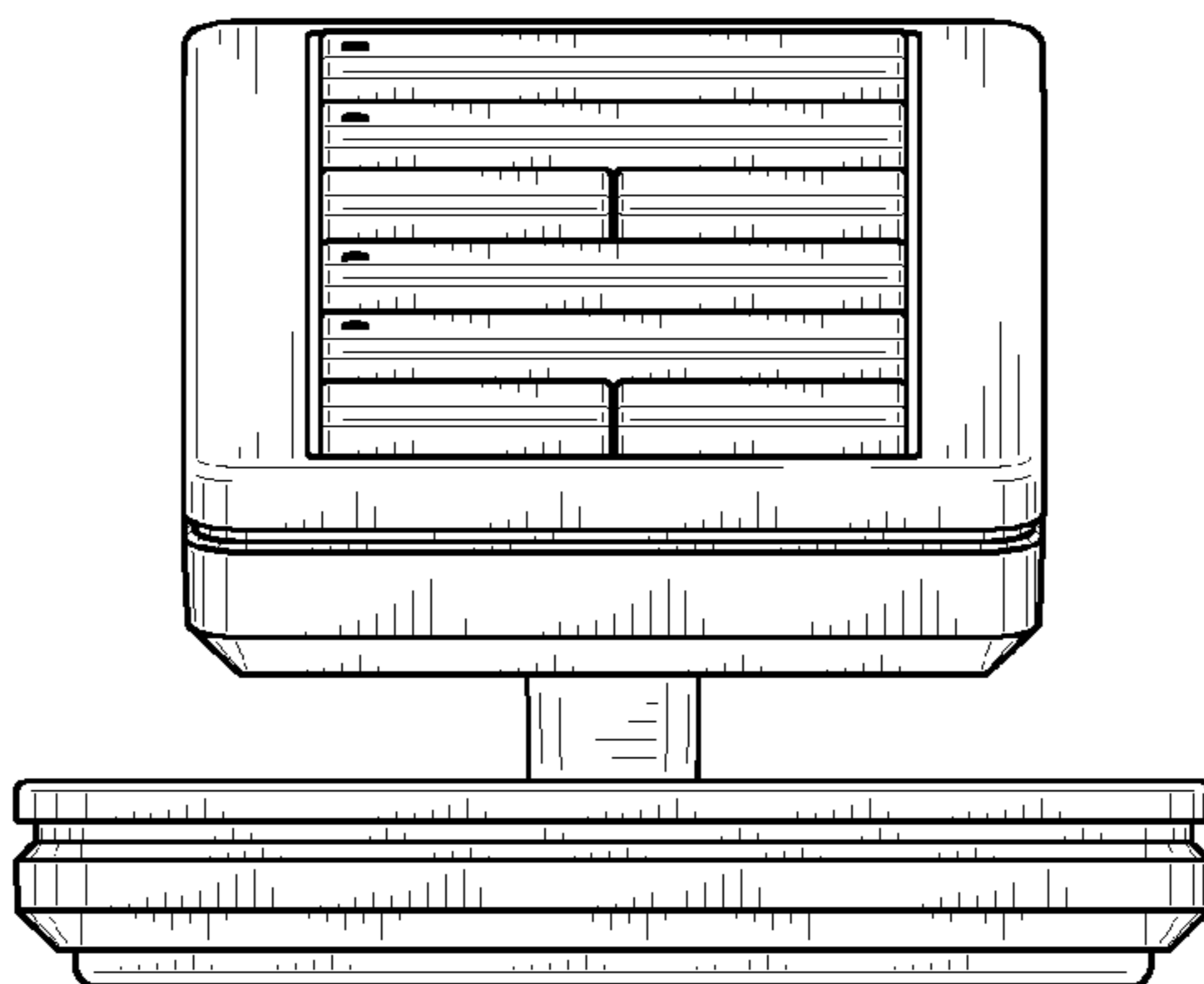


Fig. 30

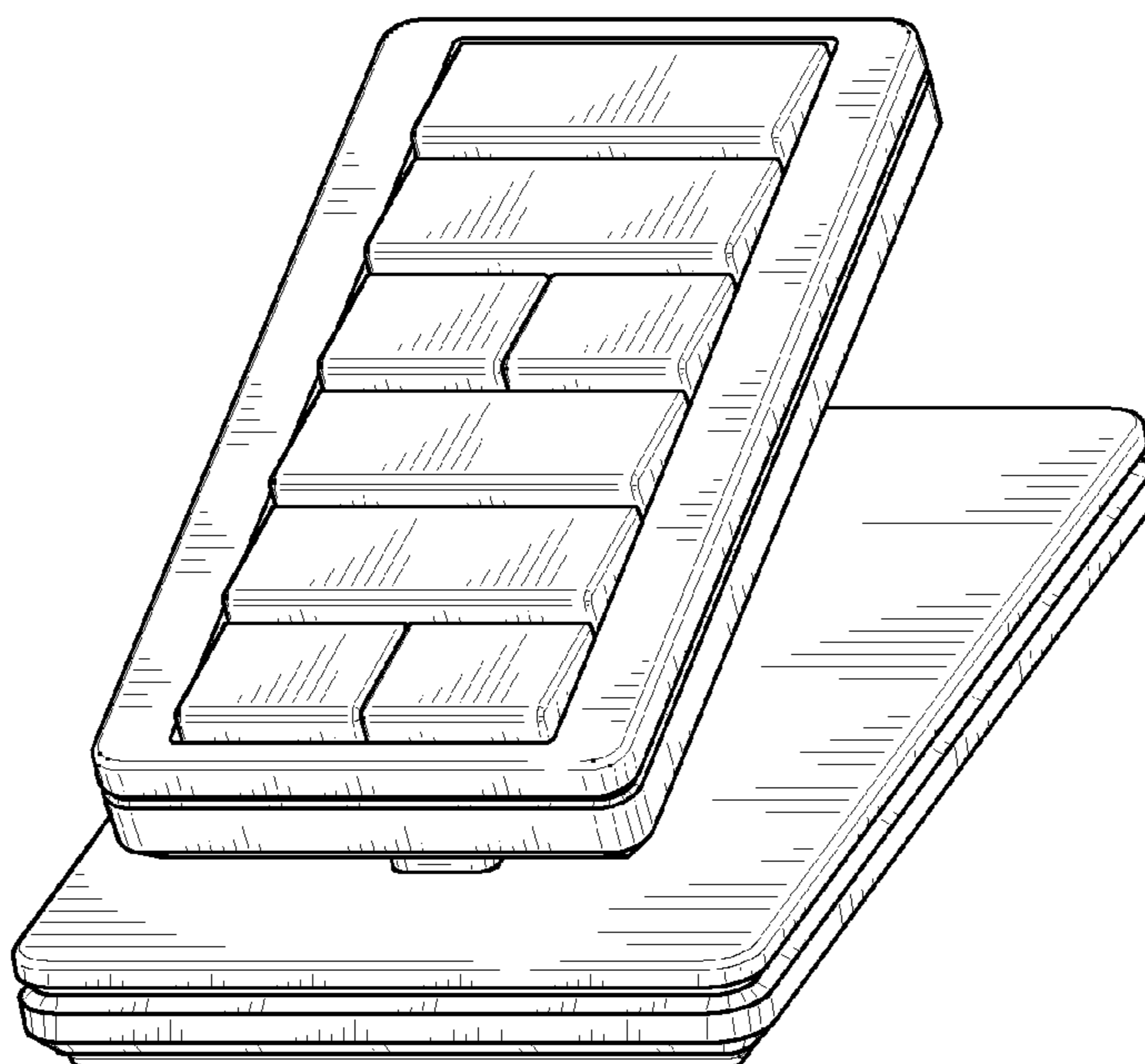


Fig. 31

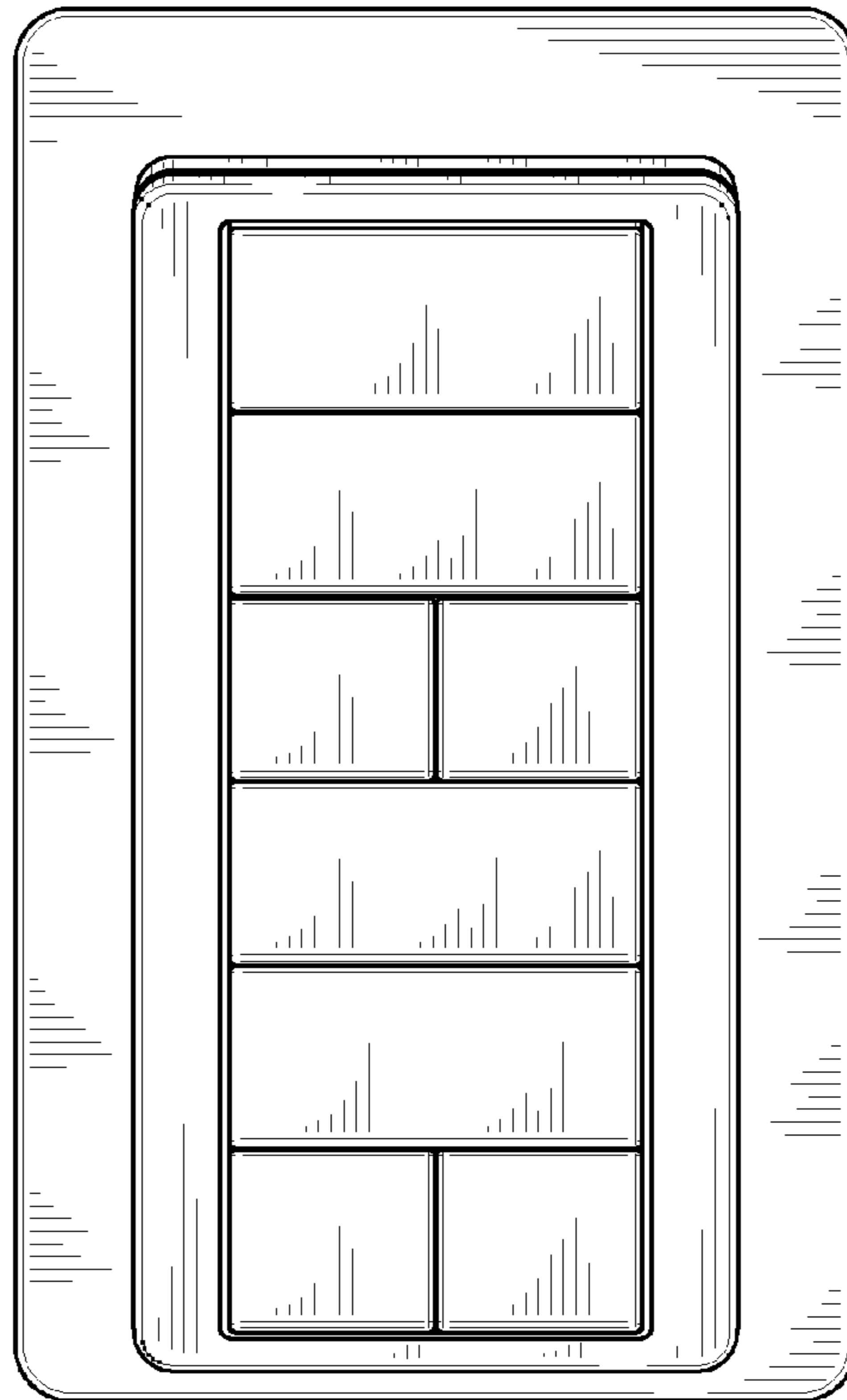


Fig. 32

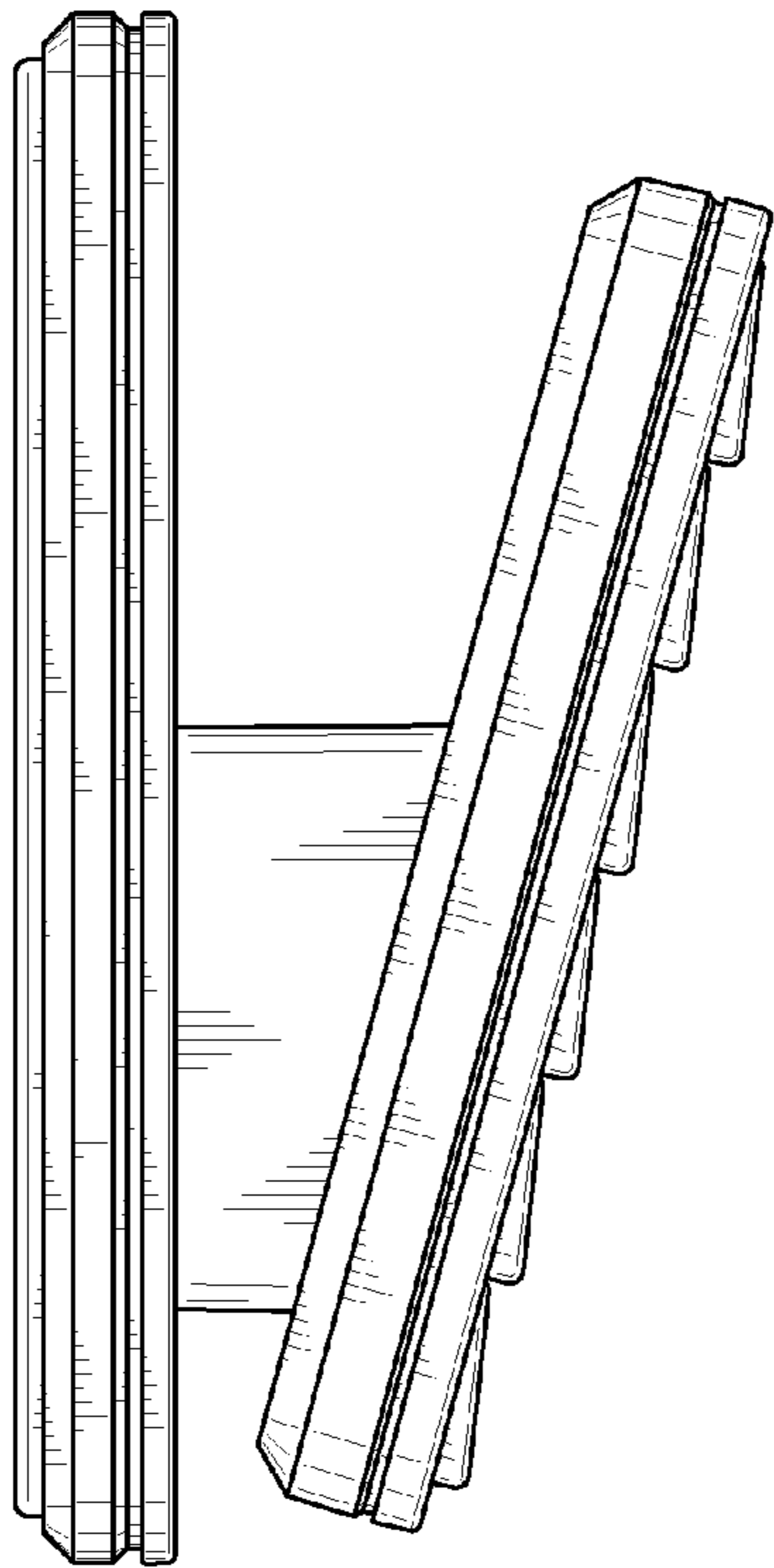


Fig. 33

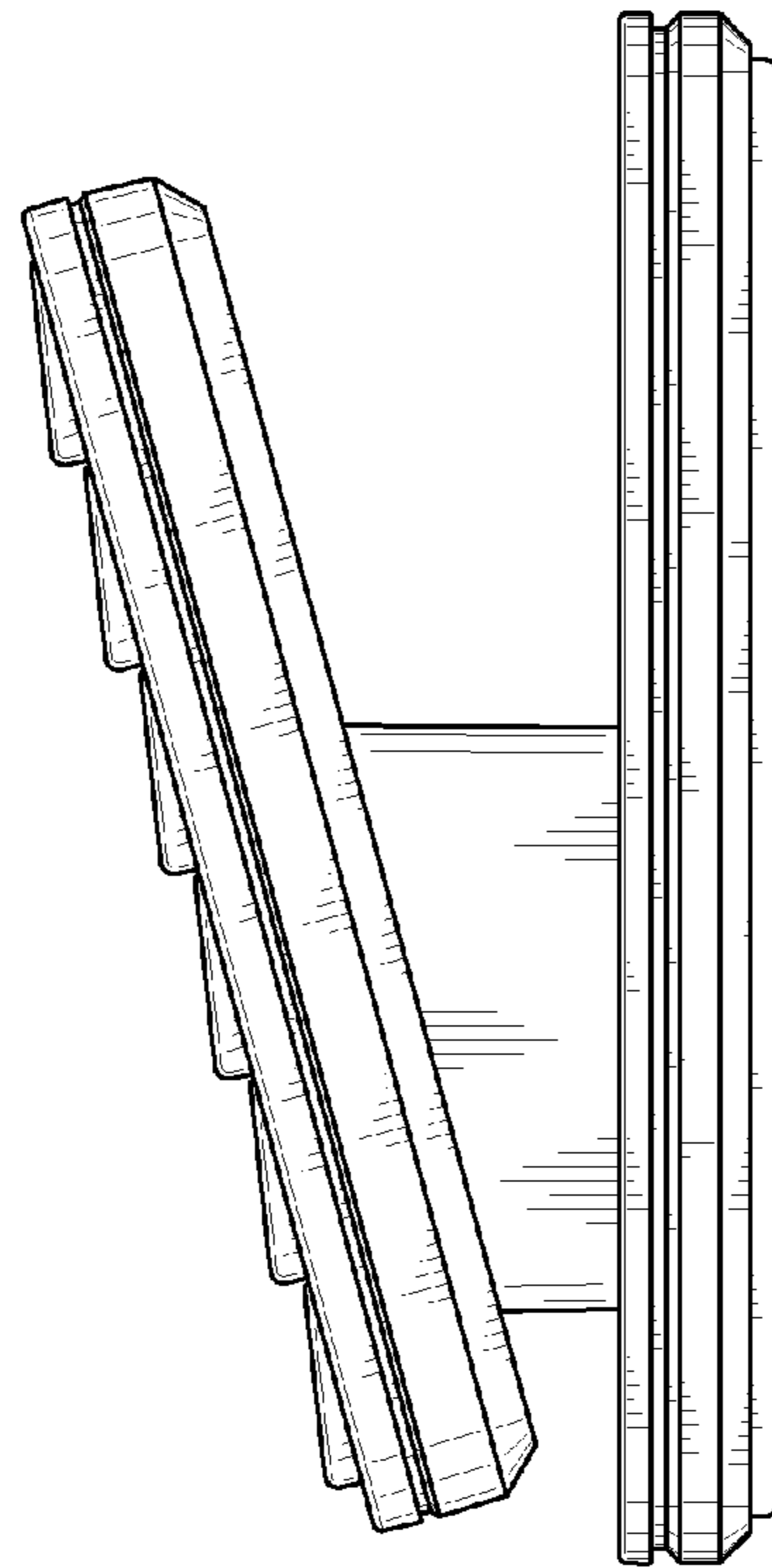


Fig. 34

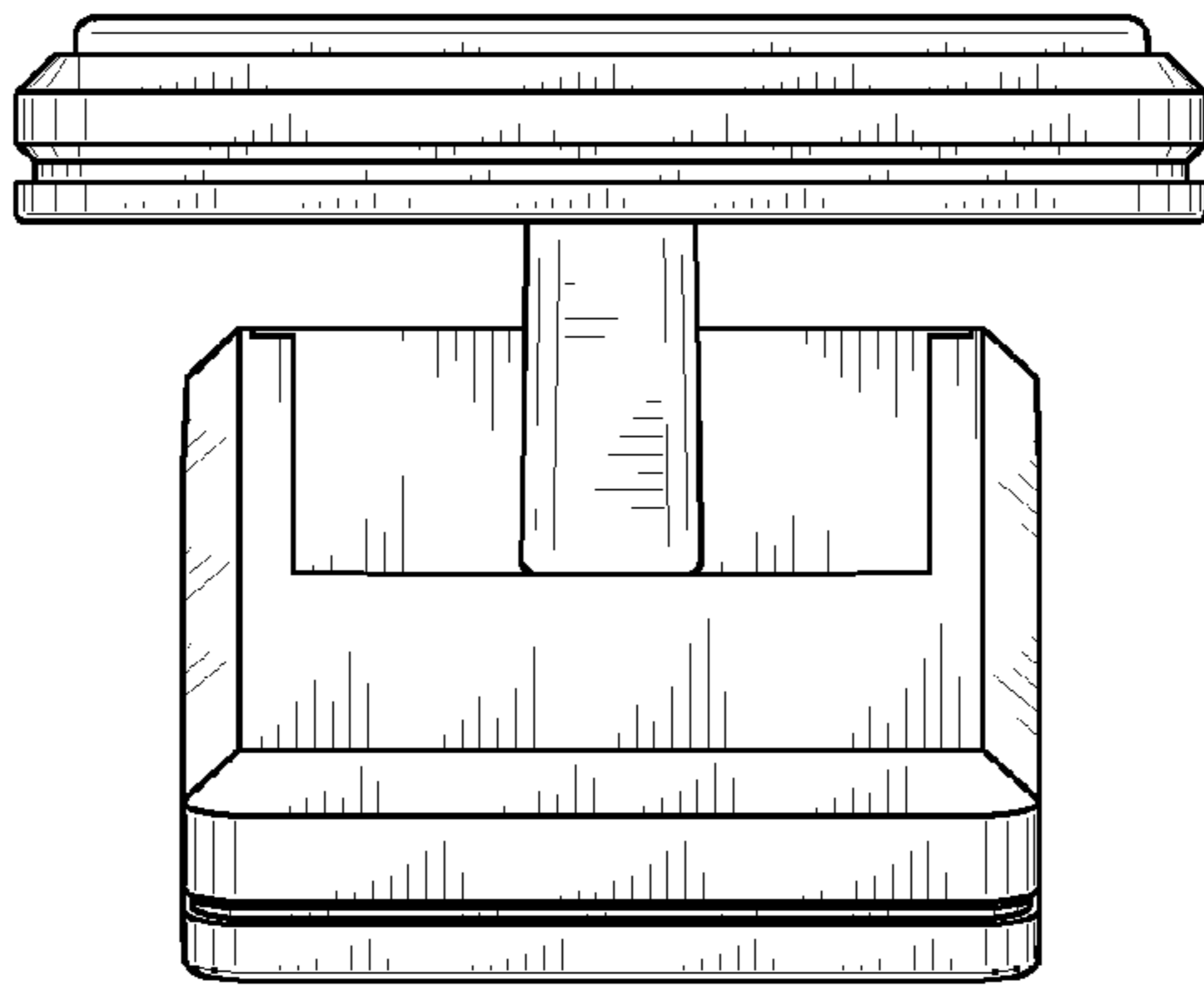


Fig. 35

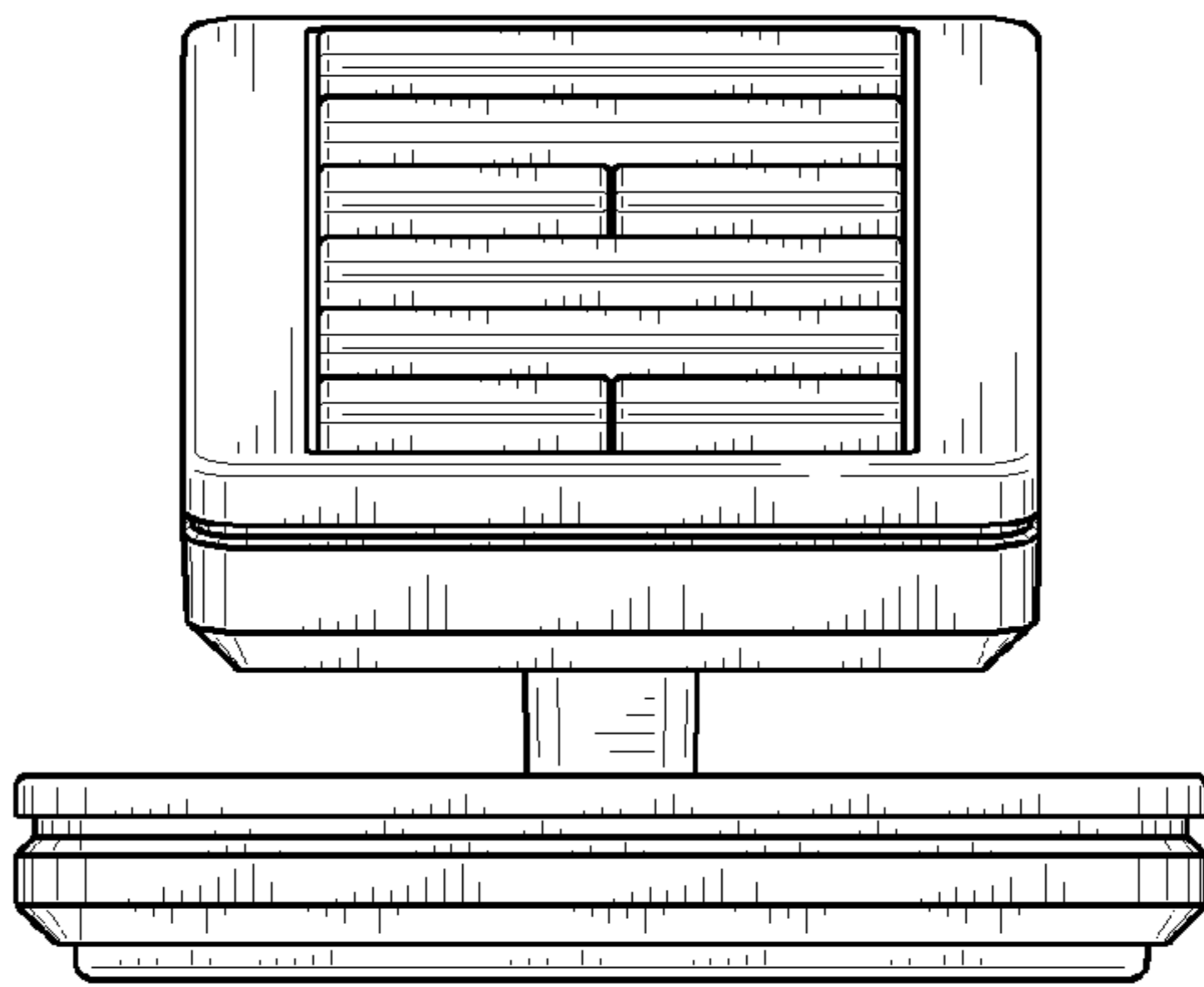


Fig. 36

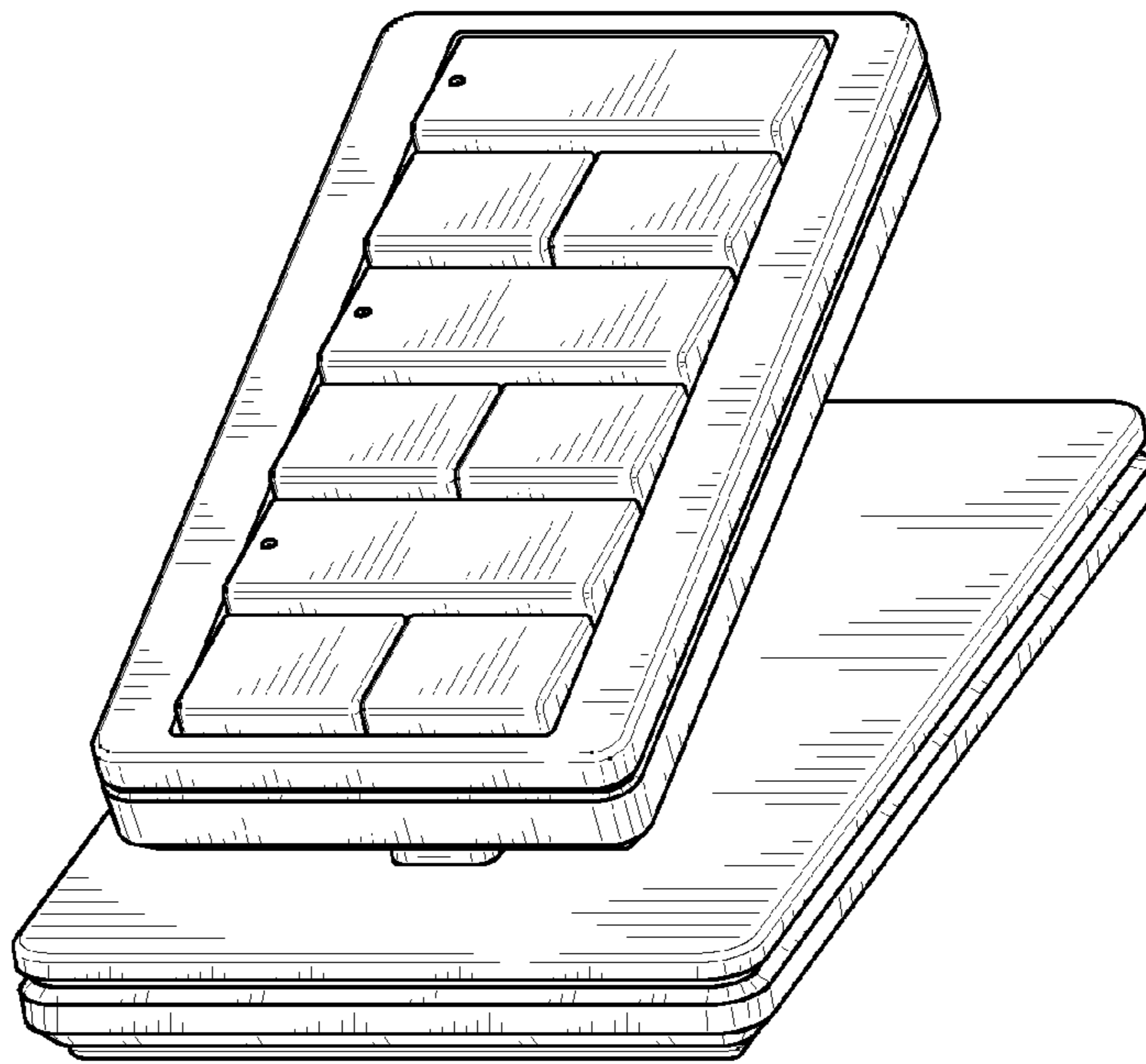


Fig. 37

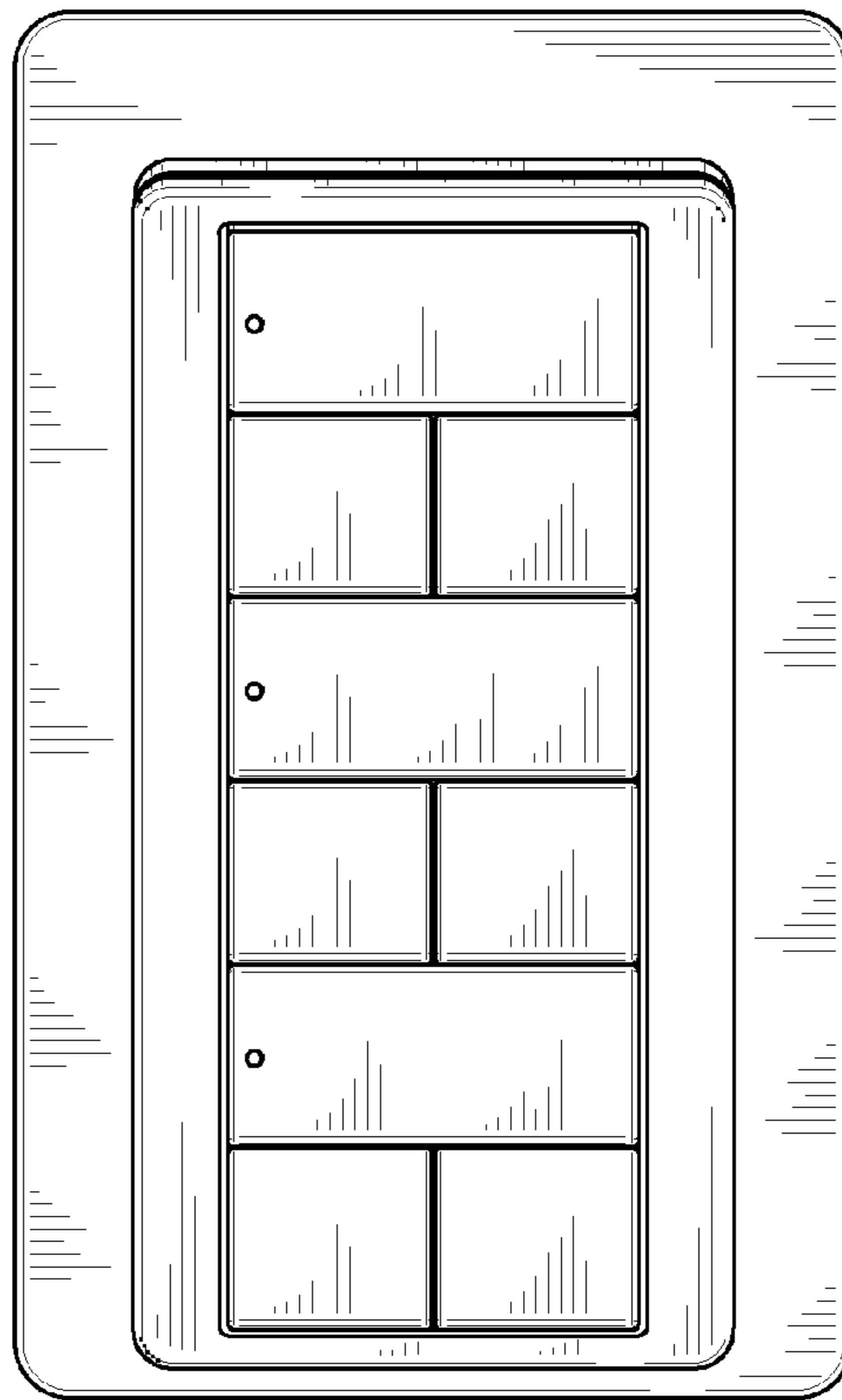


Fig. 38

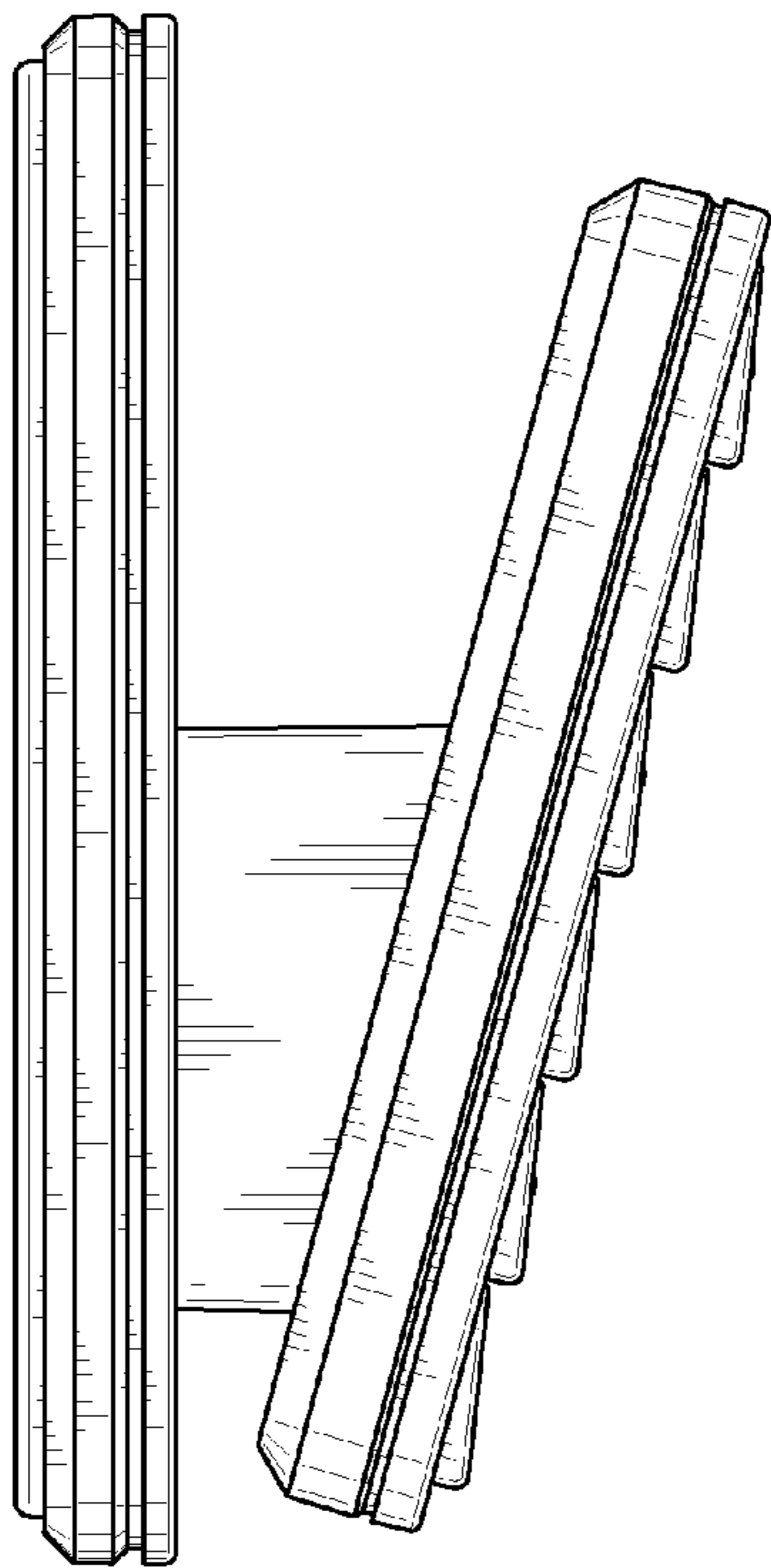


Fig. 39

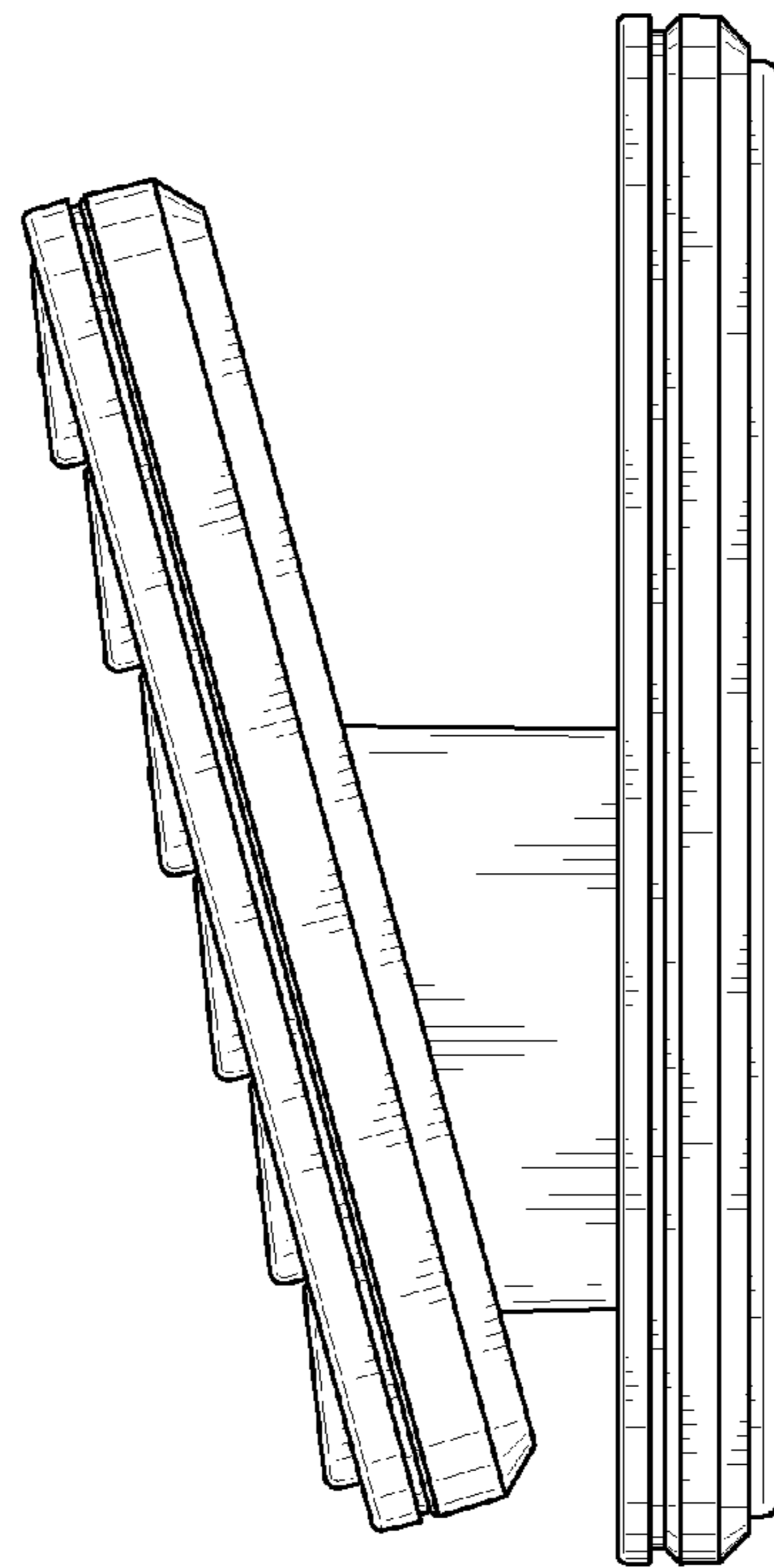


Fig. 40

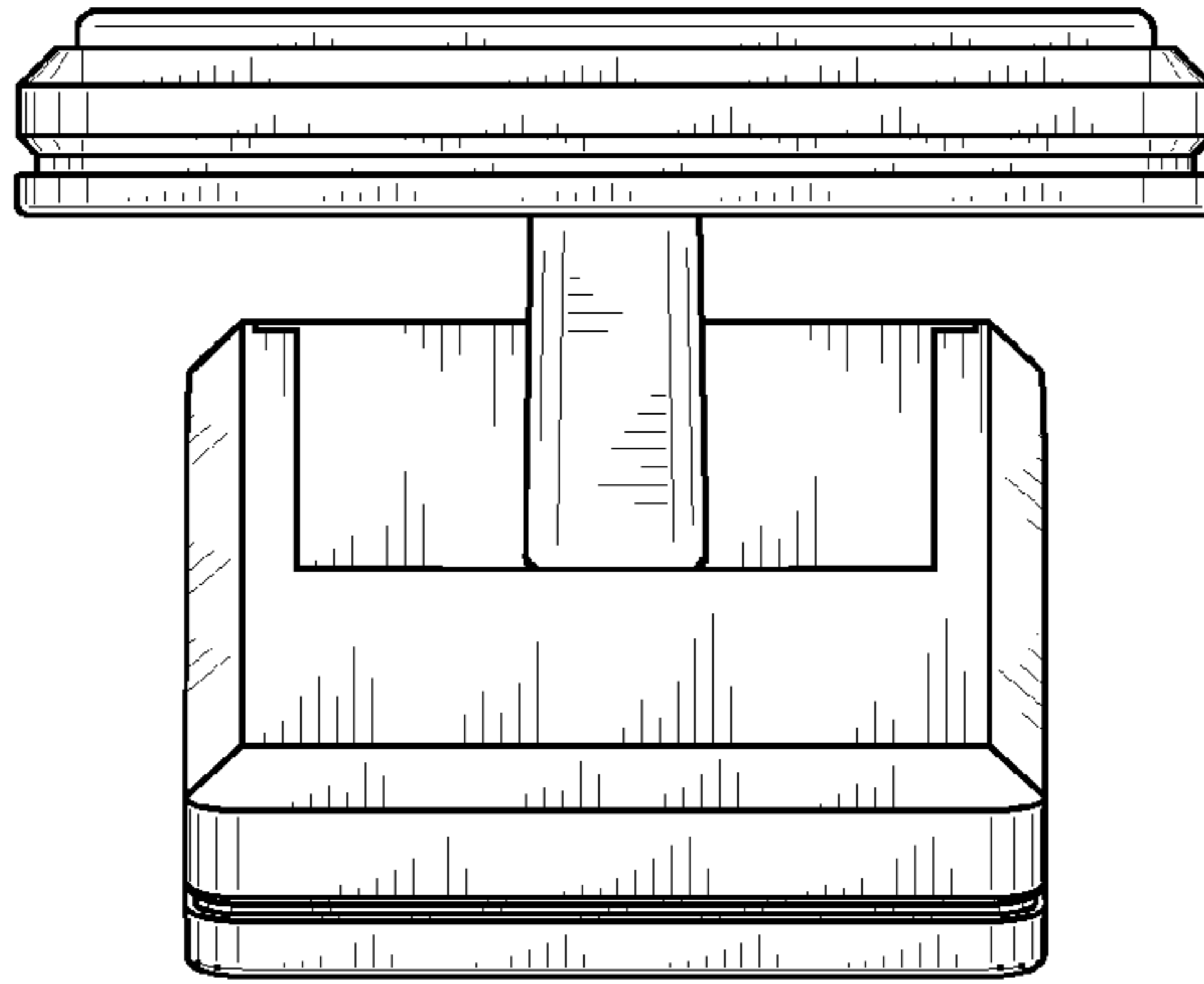


Fig. 41

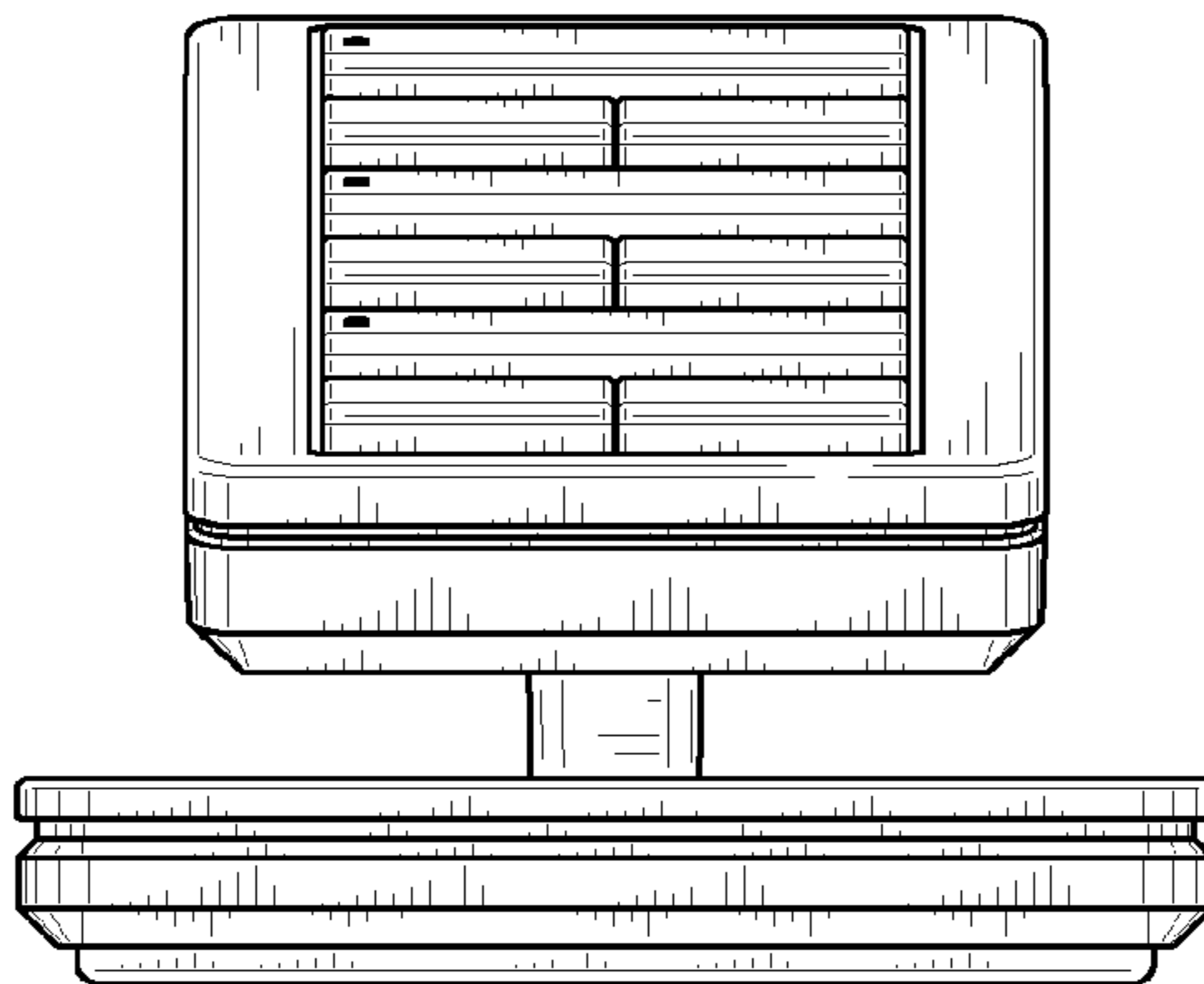


Fig. 42

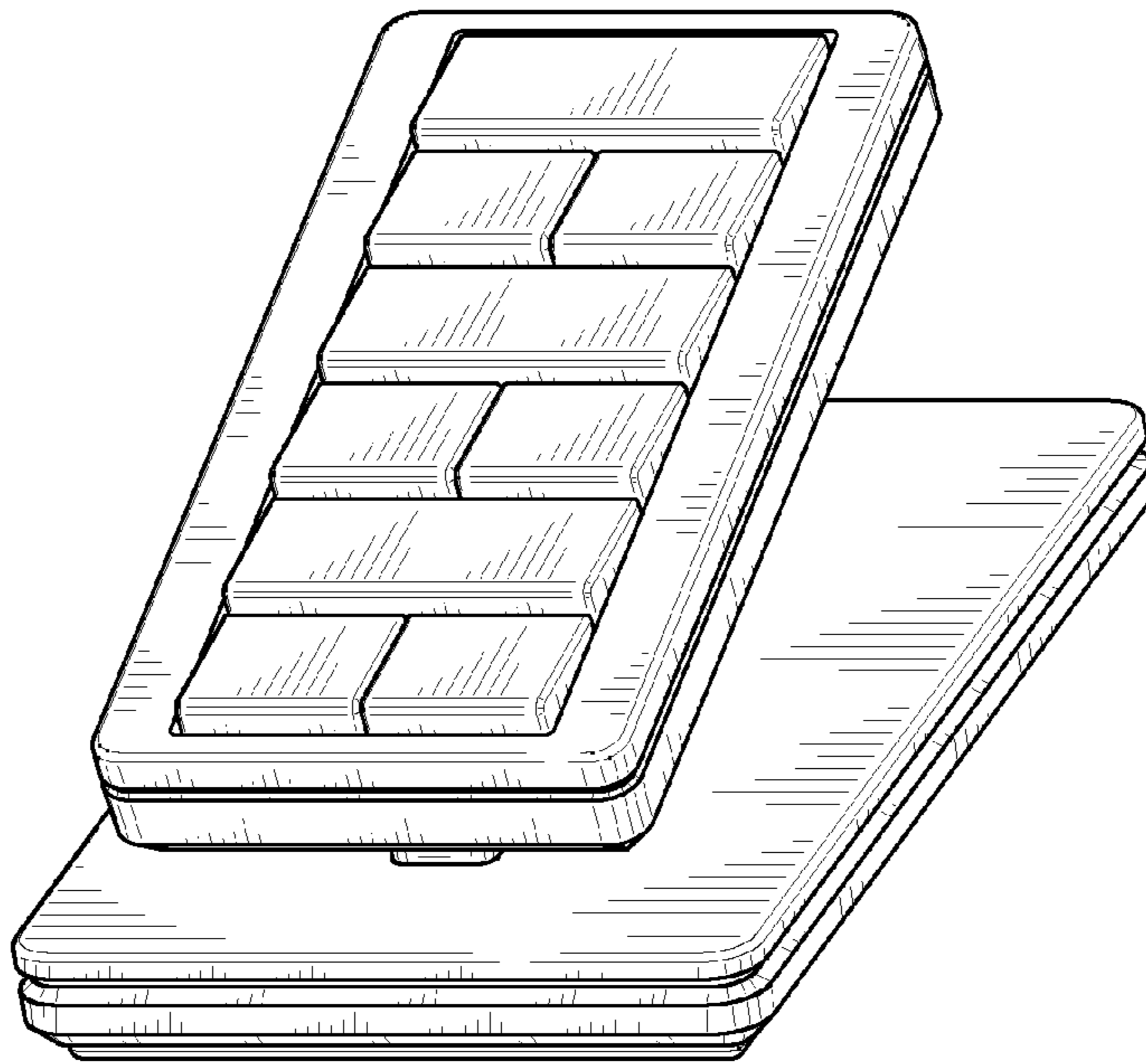


Fig. 43

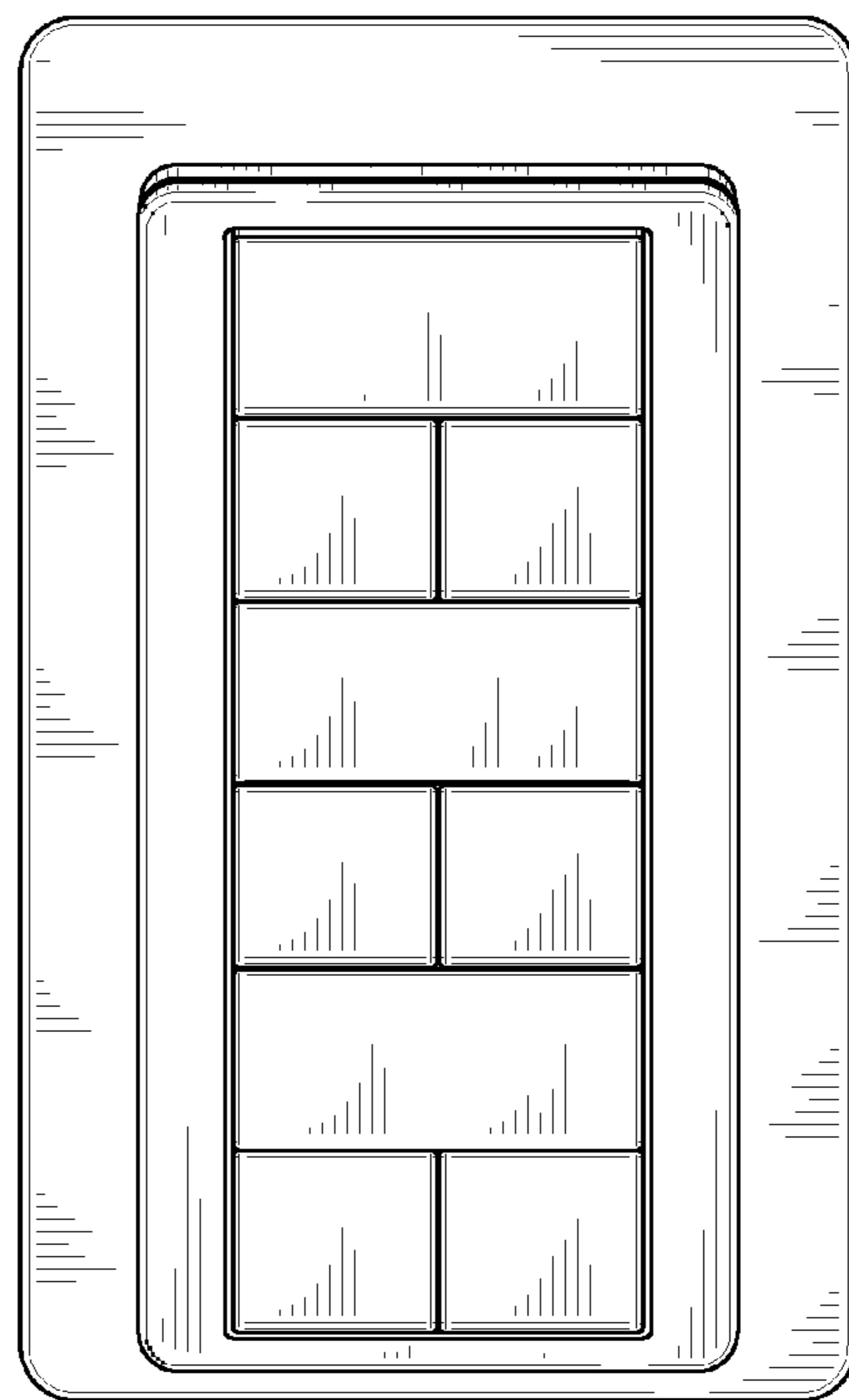


Fig. 44

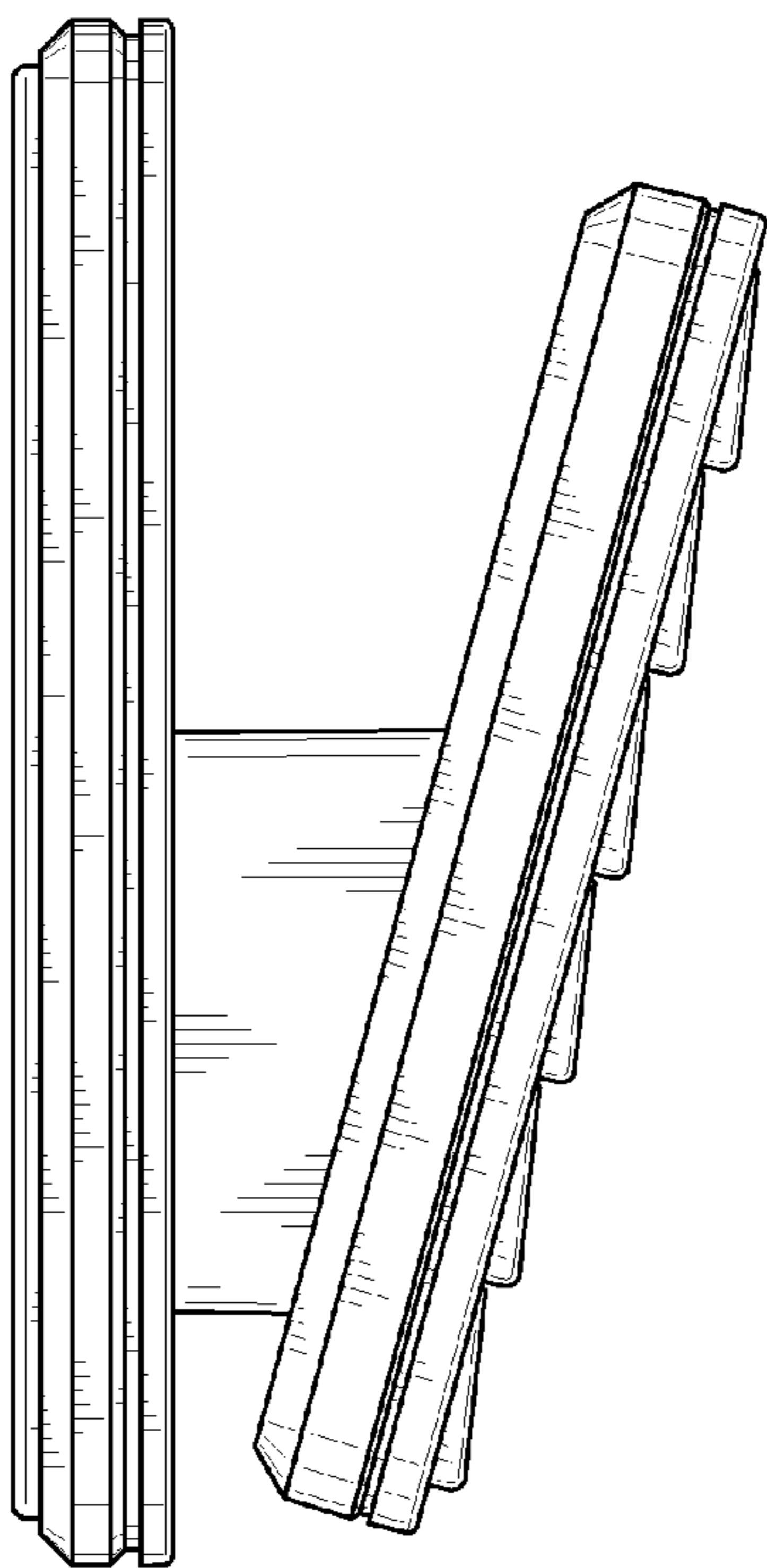


Fig. 45

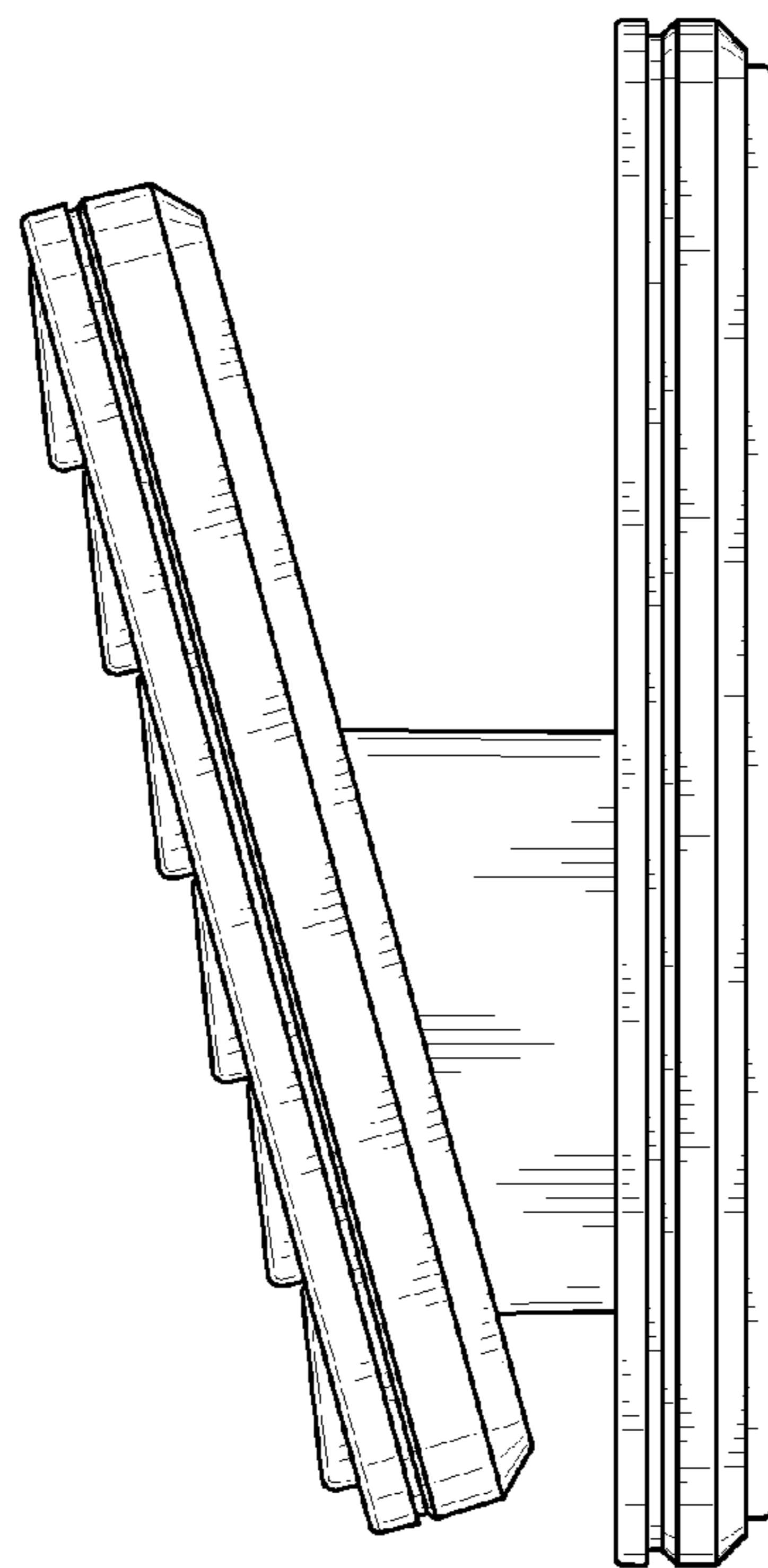


Fig. 46

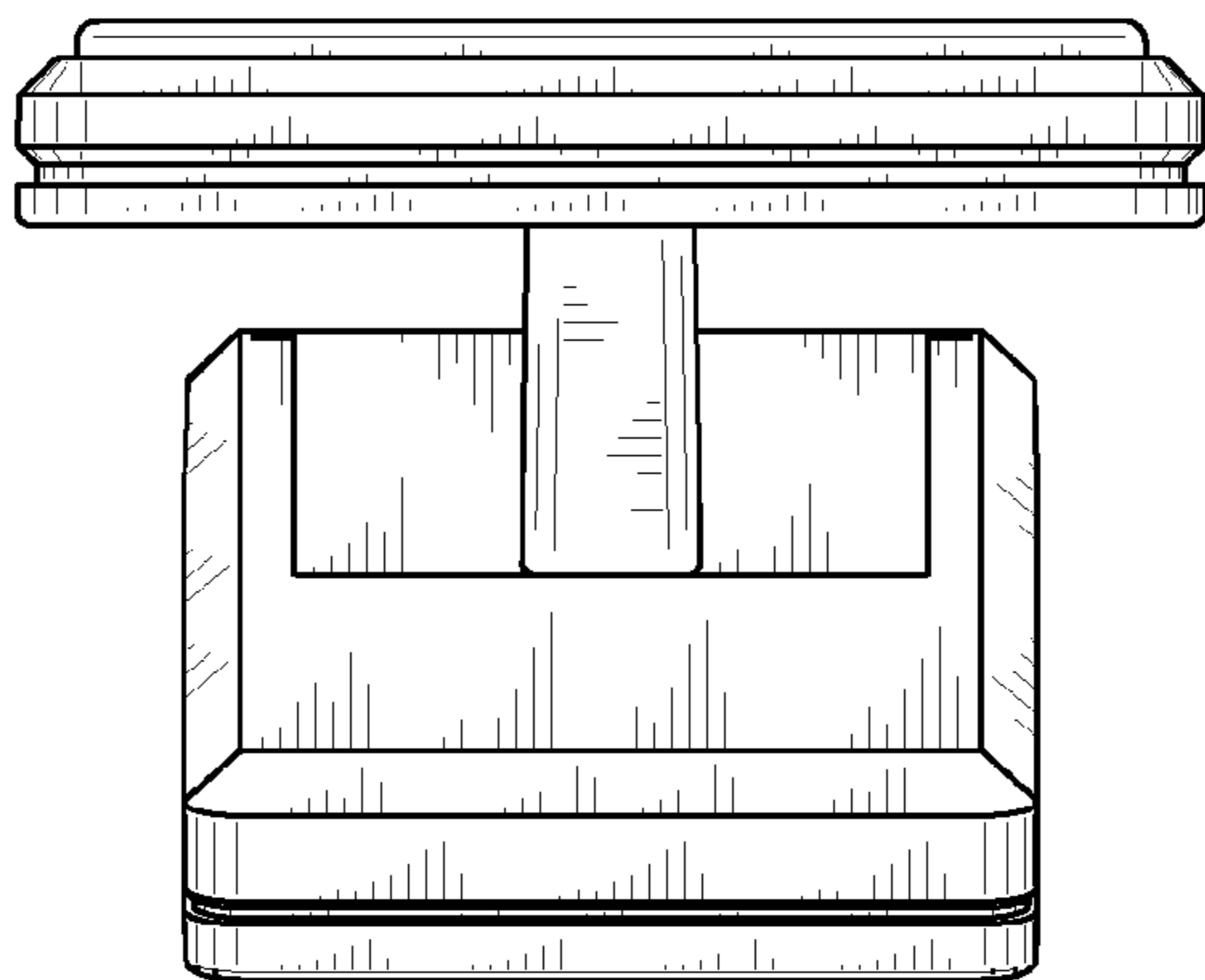


Fig. 47

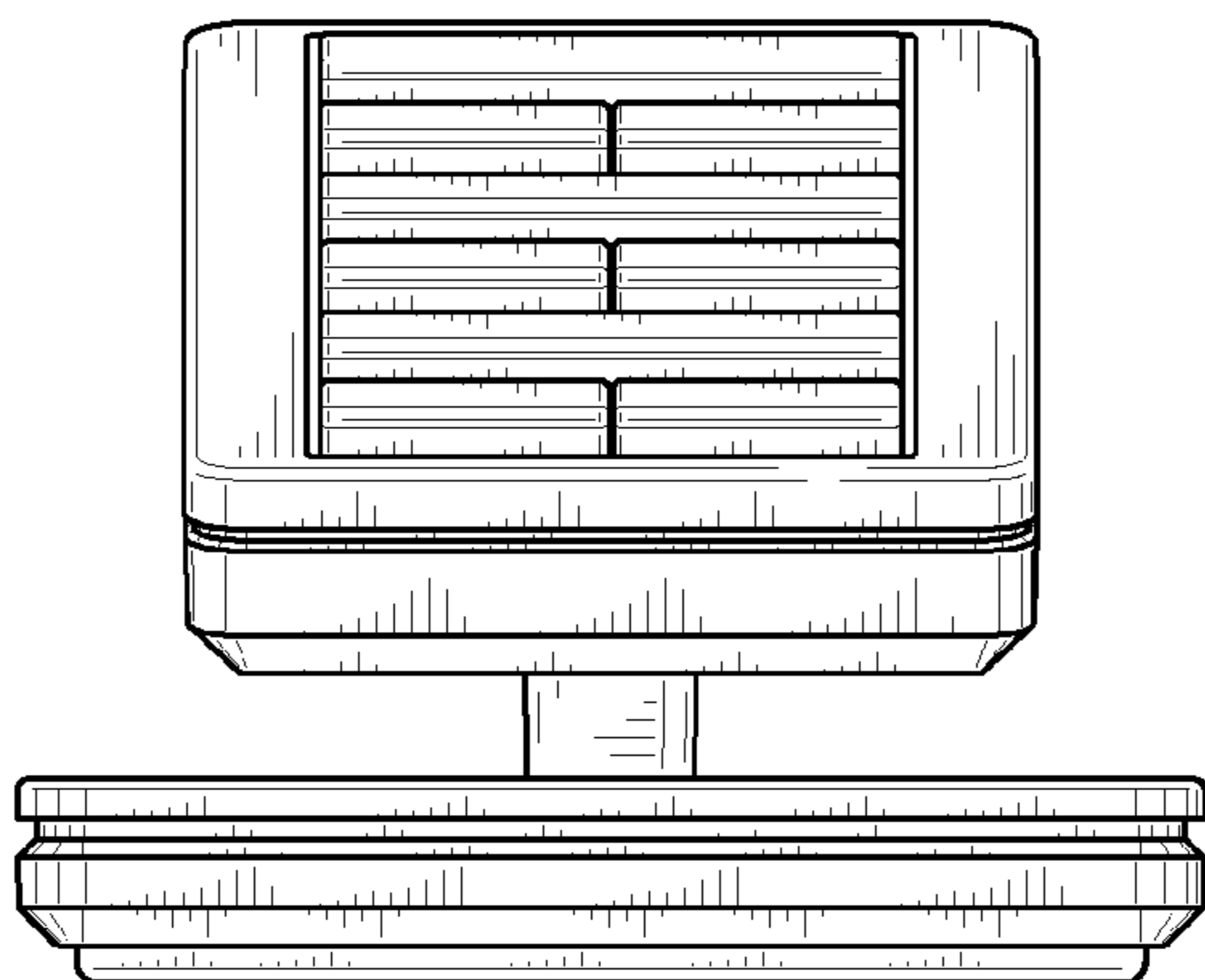


Fig. 48