



US00D680083S

(12) **United States Design Patent**
Olson

(10) **Patent No.:** **US D680,083 S**

(45) **Date of Patent:** **** Apr. 16, 2013**

(54) **ELECTRIC CORD SHIELD**

(71) Applicant: **Terry Joseph Olson**, Luxemburg, WI
(US)

(72) Inventor: **Terry Joseph Olson**, Luxemburg, WI
(US)

(**) Term: **14 Years**

(21) Appl. No.: **29/434,118**

(22) Filed: **Oct. 10, 2012**

(51) **LOC (9) Cl.** **13-03**

(52) **U.S. Cl.**
USPC **D13/156**

(58) **Field of Classification Search** D13/156,
D13/133, 149, 153, 155, 184, 199; D3/201,
D3/273, 294; D9/424, 426, 428, 429; D28/73,
D28/82; 174/68.1, 266, 72 C; 439/367,
439/369, 384, 499; D8/354

See application file for complete search history.

(56) **References Cited**

U.S. PATENT DOCUMENTS

5,913,692 A * 6/1999 Targett 439/369
6,099,340 A * 8/2000 Florentine 439/367

D481,361 S * 10/2003 Barnes D13/156
D569,349 S * 5/2008 Preston D13/156
D586,757 S * 2/2009 Minnick D13/156
D601,098 S * 9/2009 Phelps D13/156

* cited by examiner

Primary Examiner — Derrick Holland

(74) *Attorney, Agent, or Firm* — Steven H. Greenfield;
Greenfield Invention and Patent Consulting, Inc.

(57) **CLAIM**

The ornamental design for an electric cord shield, as shown
and described.

DESCRIPTION

FIG. 1 is a top perspective view of an electric cord shield
showing my new design;
FIG. 2 is a bottom perspective view thereof;
FIG. 3 is a front view thereof;
FIG. 4 is a first side view thereof;
FIG. 5 is a second side view thereof;
FIG. 6 is a rear perspective view thereof;
FIG. 7 is a top view thereof; and,
FIG. 8 is a bottom view thereof.

1 Claim, 8 Drawing Sheets

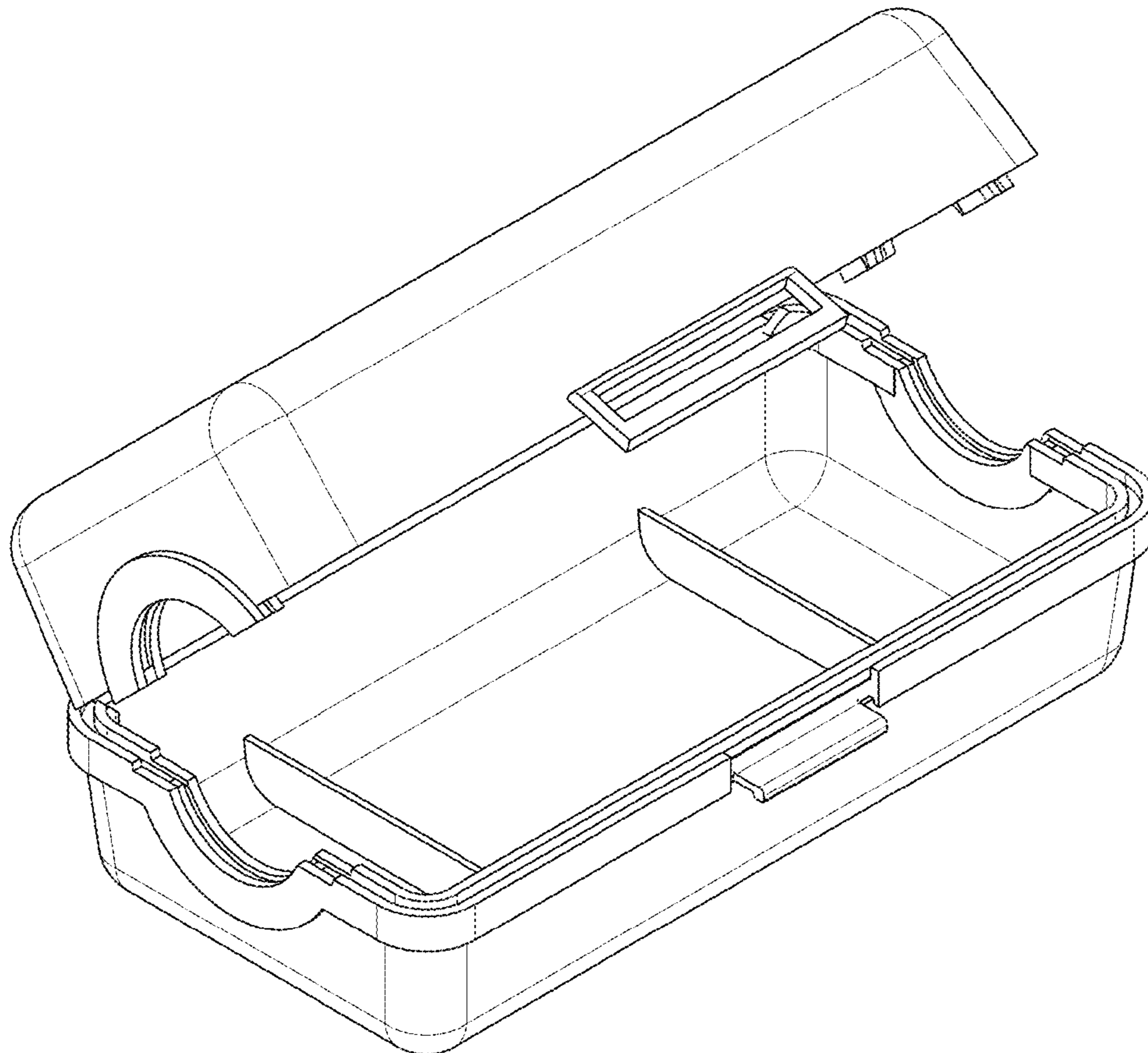


FIG. 1

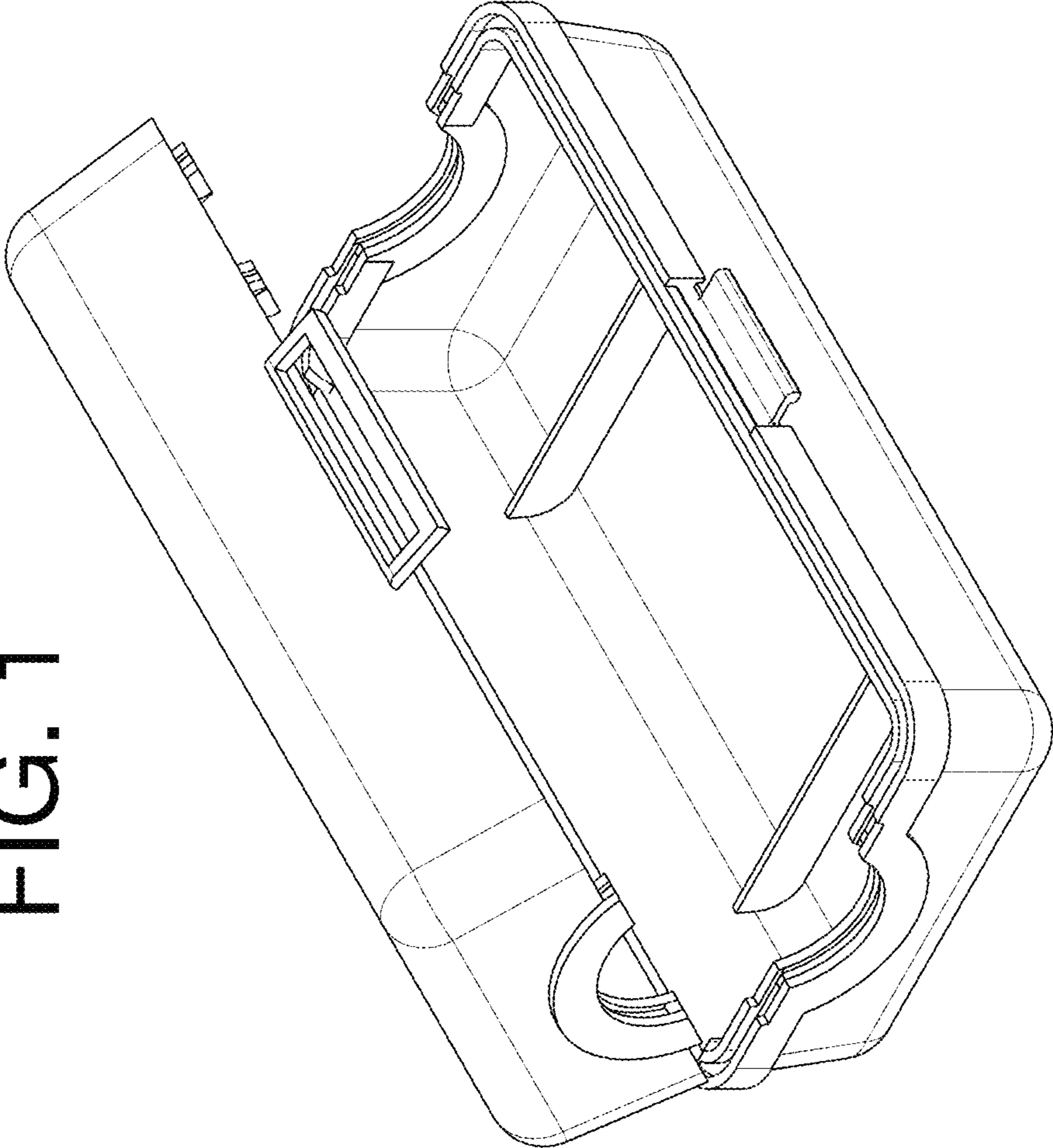


FIG. 2

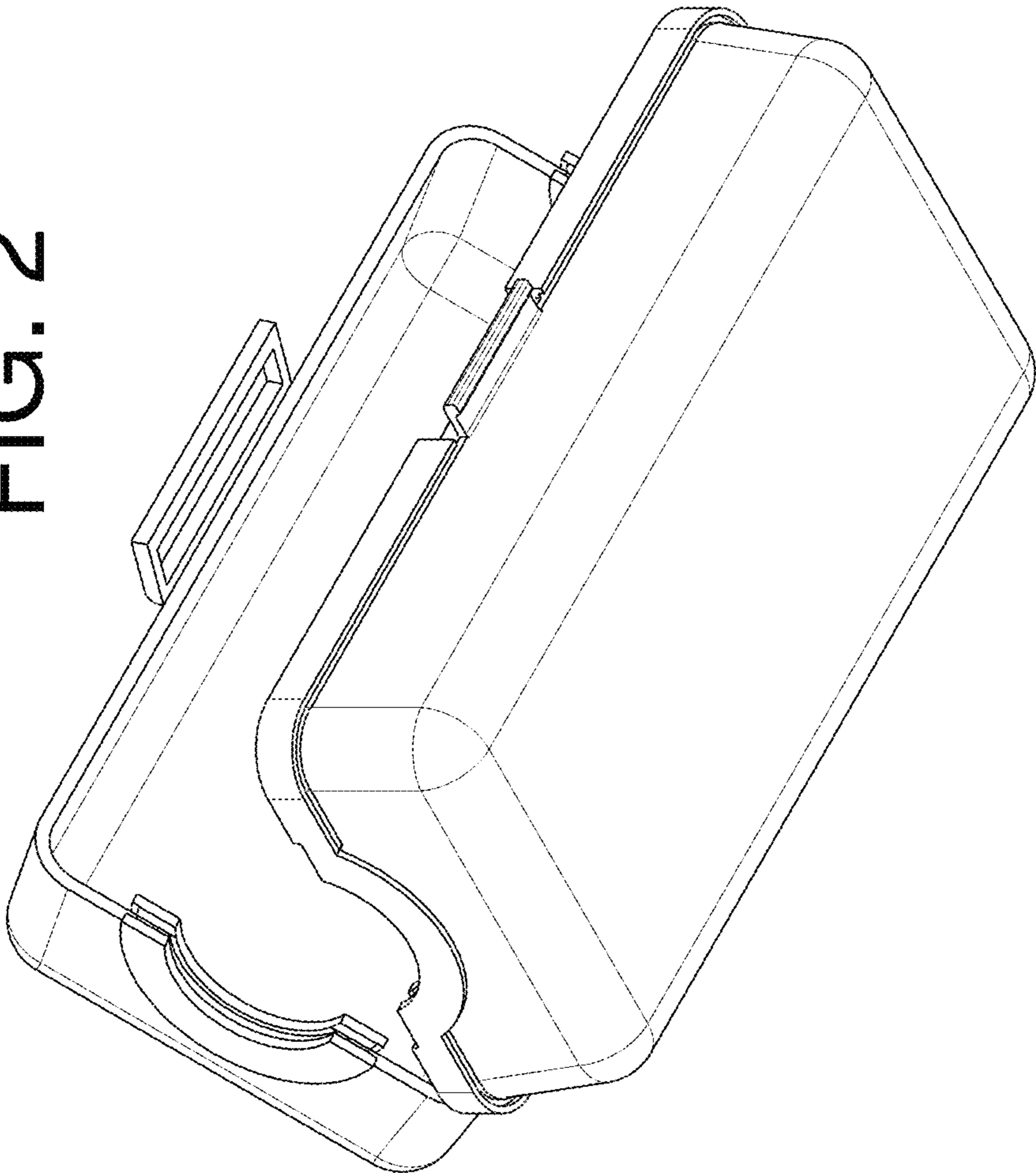


FIG. 3

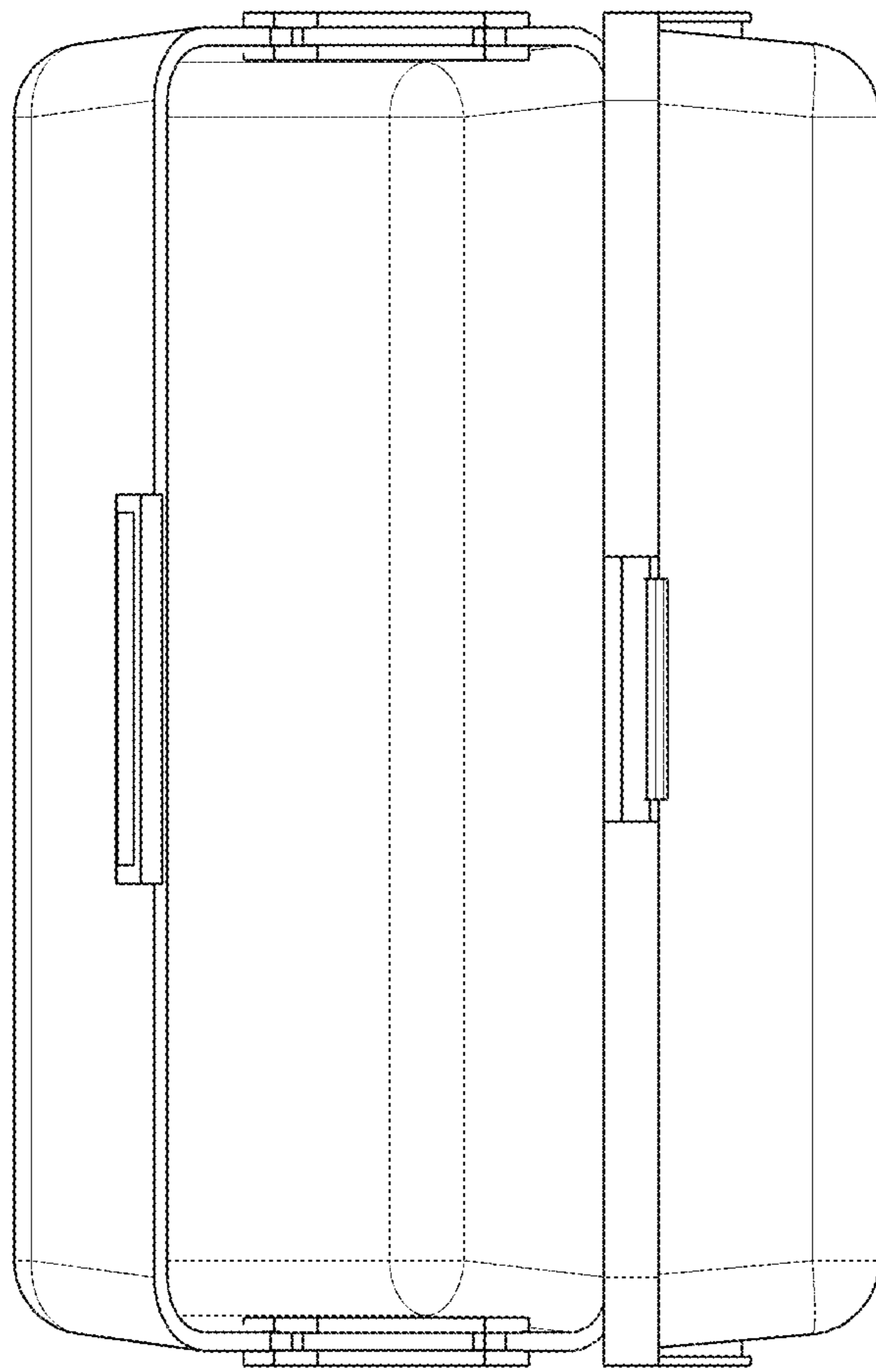


FIG. 4

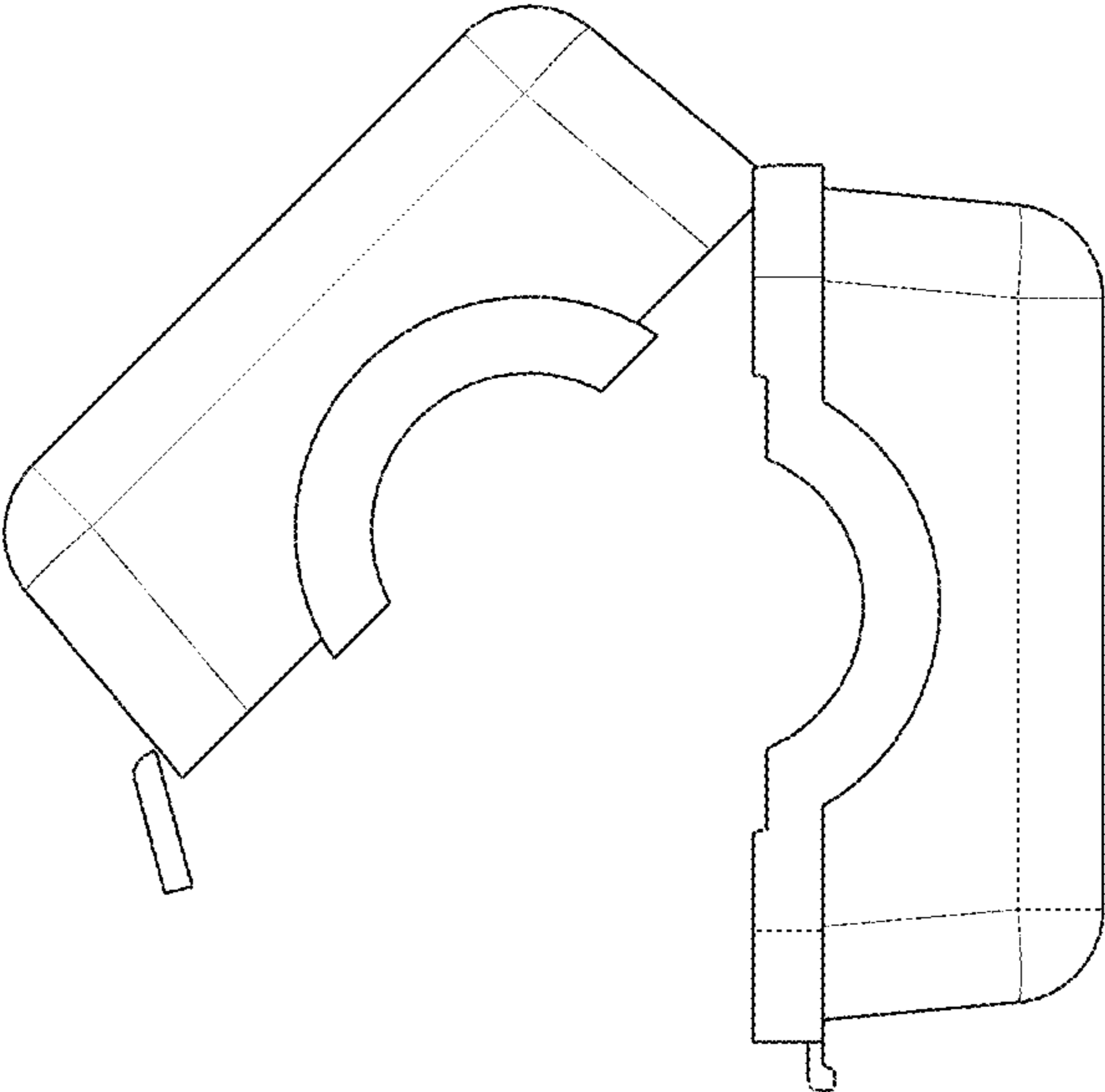


FIG. 5

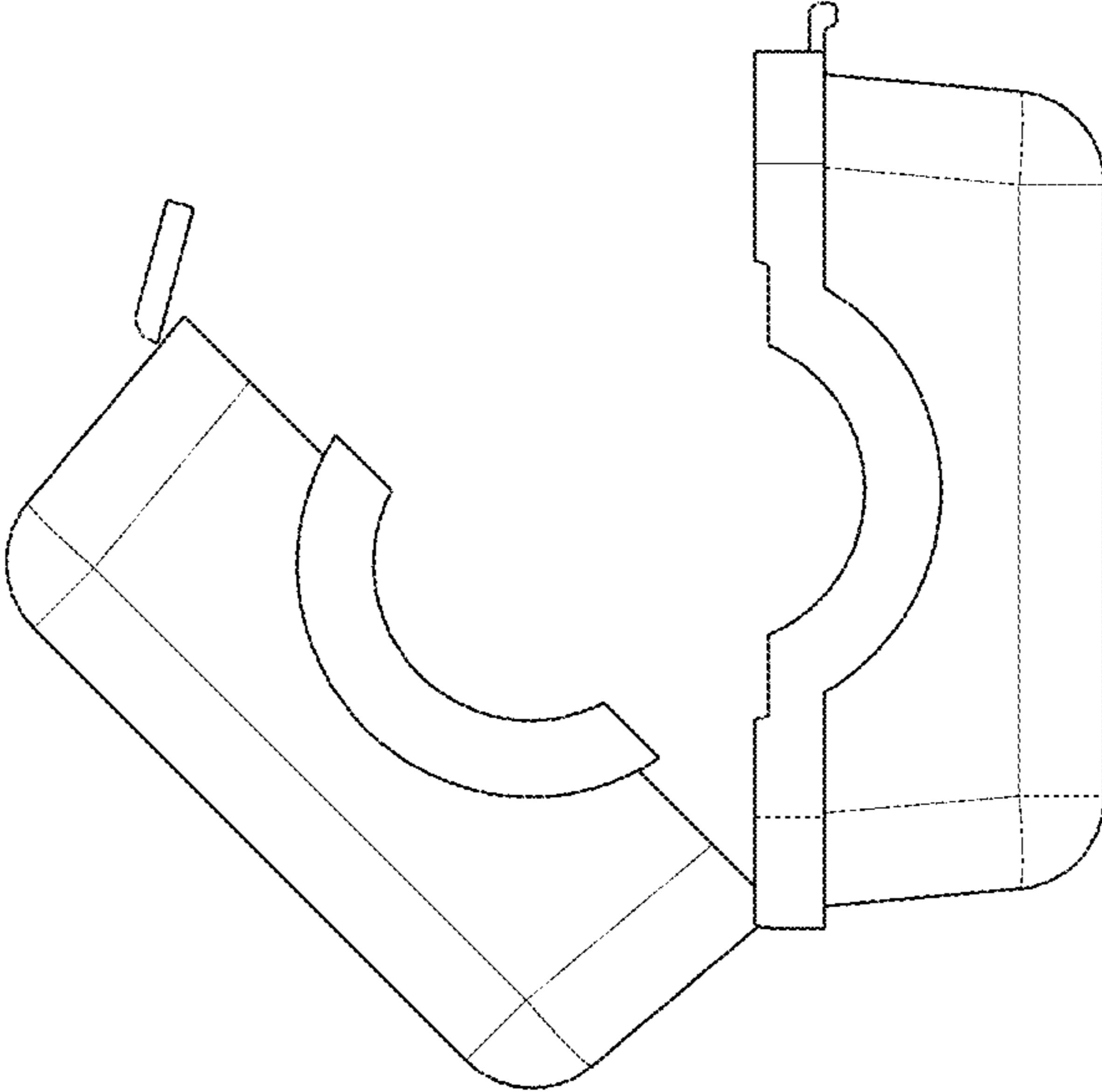


FIG. 6

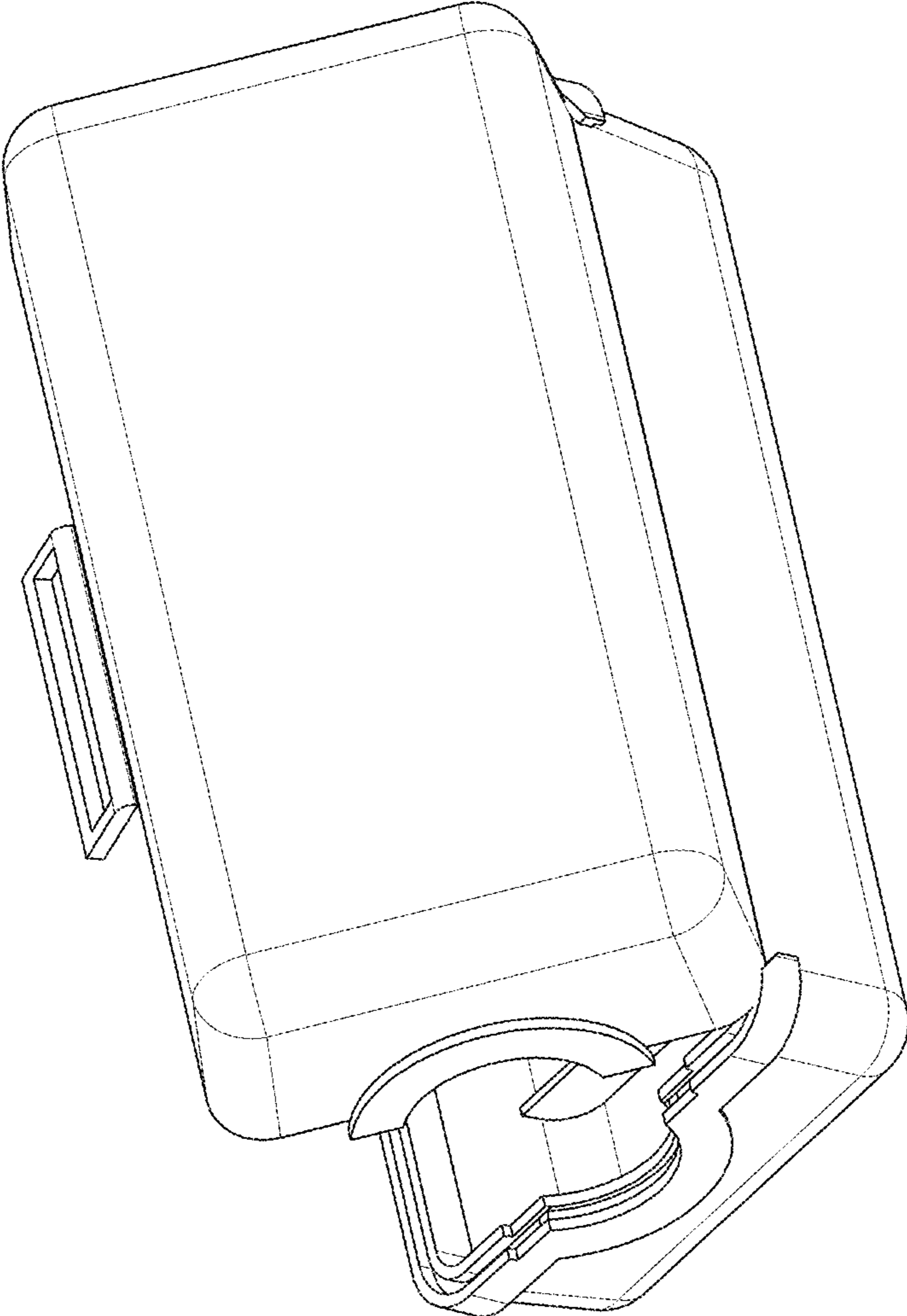


FIG. 7

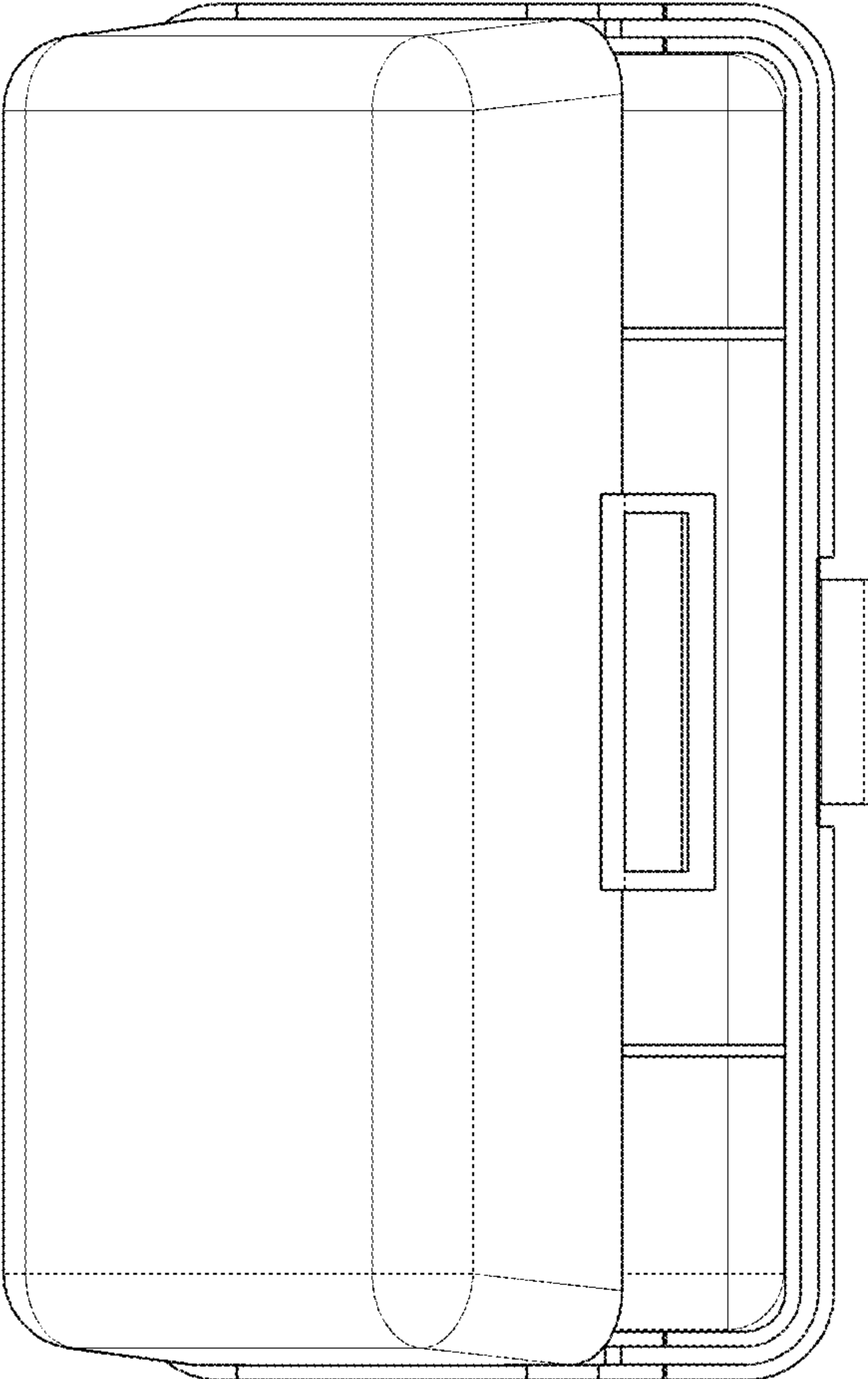


FIG. 8

