



US00D680081S

(12) **United States Design Patent**  
**Yamauchi et al.**

(10) **Patent No.:** **US D680,081 S**

(45) **Date of Patent:** **\*\* Apr. 16, 2013**

(54) **BOOT FOR OPTICAL FIBER CONNECTOR**

(56) **References Cited**

(75) Inventors: **Isao Yamauchi**, Tokyo (JP); **Shinichi Takeda**, Tokyo (JP); **Satoshi Kano**, Tokyo (JP)

U.S. PATENT DOCUMENTS

D358,802	S	*	5/1995	Kunz	.....	D13/154
5,451,171	A	*	9/1995	Dickie	.....	439/447
D379,177	S	*	5/1997	Chu	.....	D13/156
D443,593	S	*	6/2001	Milan	.....	D13/154
D530,286	S	*	10/2006	Phung et al.	.....	D13/156
D570,295	S	*	6/2008	Hargreaves et al.	.....	D13/156
D582,353	S	*	12/2008	Victor	.....	D13/156
D584,238	S	*	1/2009	Victor	.....	D13/156

(73) Assignee: **Adamant Kogyo Co, Ltd.**, Tokyo (JP)

(\*\*) Term: **14 Years**

\* cited by examiner

(21) Appl. No.: **29/371,229**

*Primary Examiner* — Derrick Holland

(22) Filed: **Dec. 7, 2010**

(74) *Attorney, Agent, or Firm* — Manabu Kanesaka

(30) **Foreign Application Priority Data**

(57) **CLAIM**

The ornamental design for a boot for optical fiber connector, as shown and described.

Jul. 1, 2010 (JP) ..... 2010-016139

**DESCRIPTION**

(51) **LOC (9) Cl.** ..... **13-03**

FIG. 1 is a front view of a boot for optical fiber connector showing our new design;  
FIG. 2 is a rear view thereof;  
FIG. 3 is a left side view thereof;  
FIG. 4 is a right side view thereof;  
FIG. 5 is a top plan view thereof;  
FIG. 6 is a bottom plan view thereof;  
FIG. 7 is a sectional view taken along line 7-7 in FIG. 5; and,  
FIG. 8 is a perspective view thereof.

(52) **U.S. Cl.**

USPC ..... **D13/156**

(58) **Field of Classification Search** ..... D13/156,  
D13/129, 133, 153, 154, 155, 184, 199; 174/68.1,  
174/72 C, 73.1, 77 R, 79, 82, 83, 89, 93,  
174/135, 138 F; 439/278, 282, 296, 345,  
439/346, 380, 445, 449, 519, 521, 527, 528,  
439/588, 589, 750, 892, 901

See application file for complete search history.

**1 Claim, 8 Drawing Sheets**

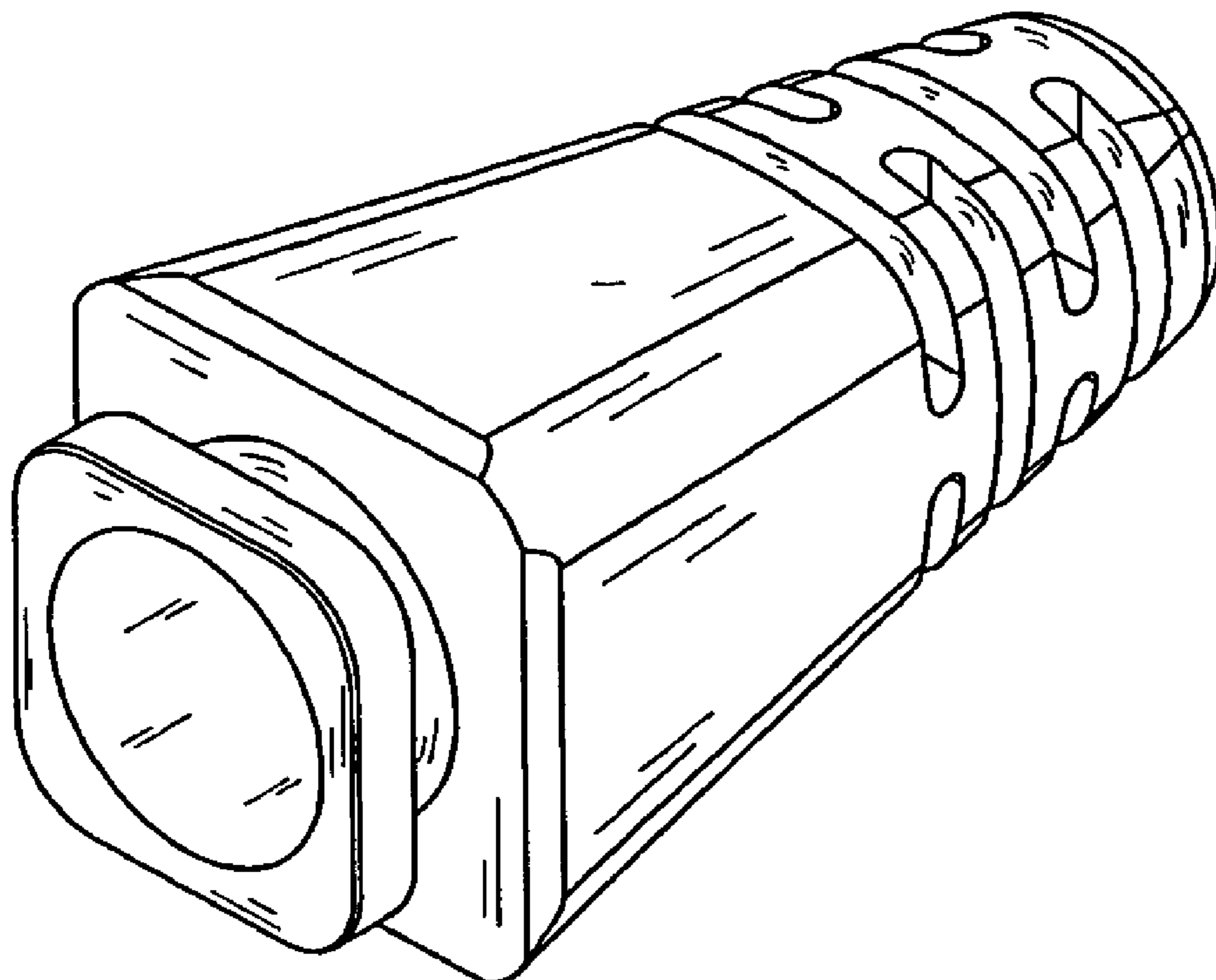


Fig. 1

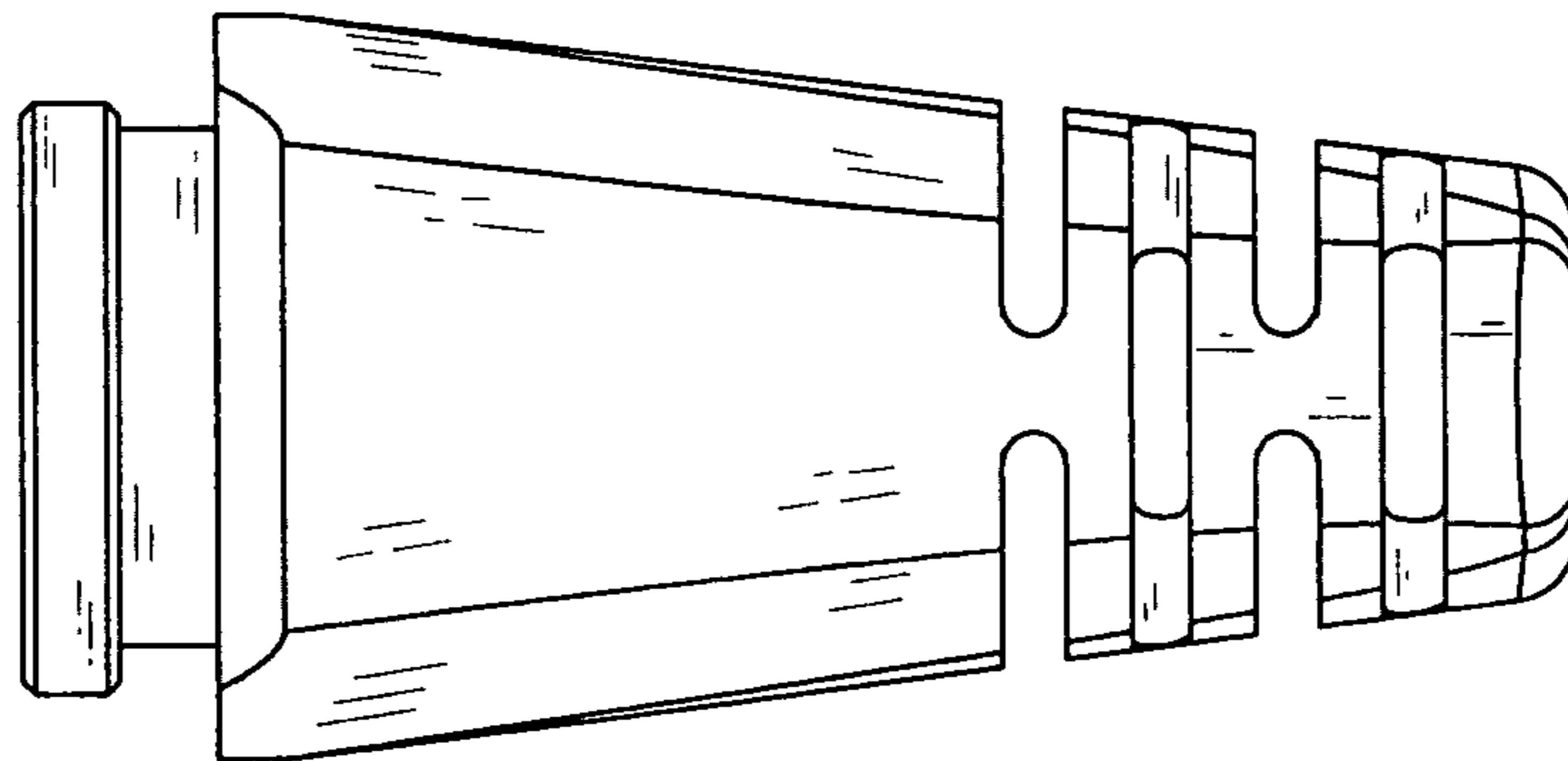


Fig.2

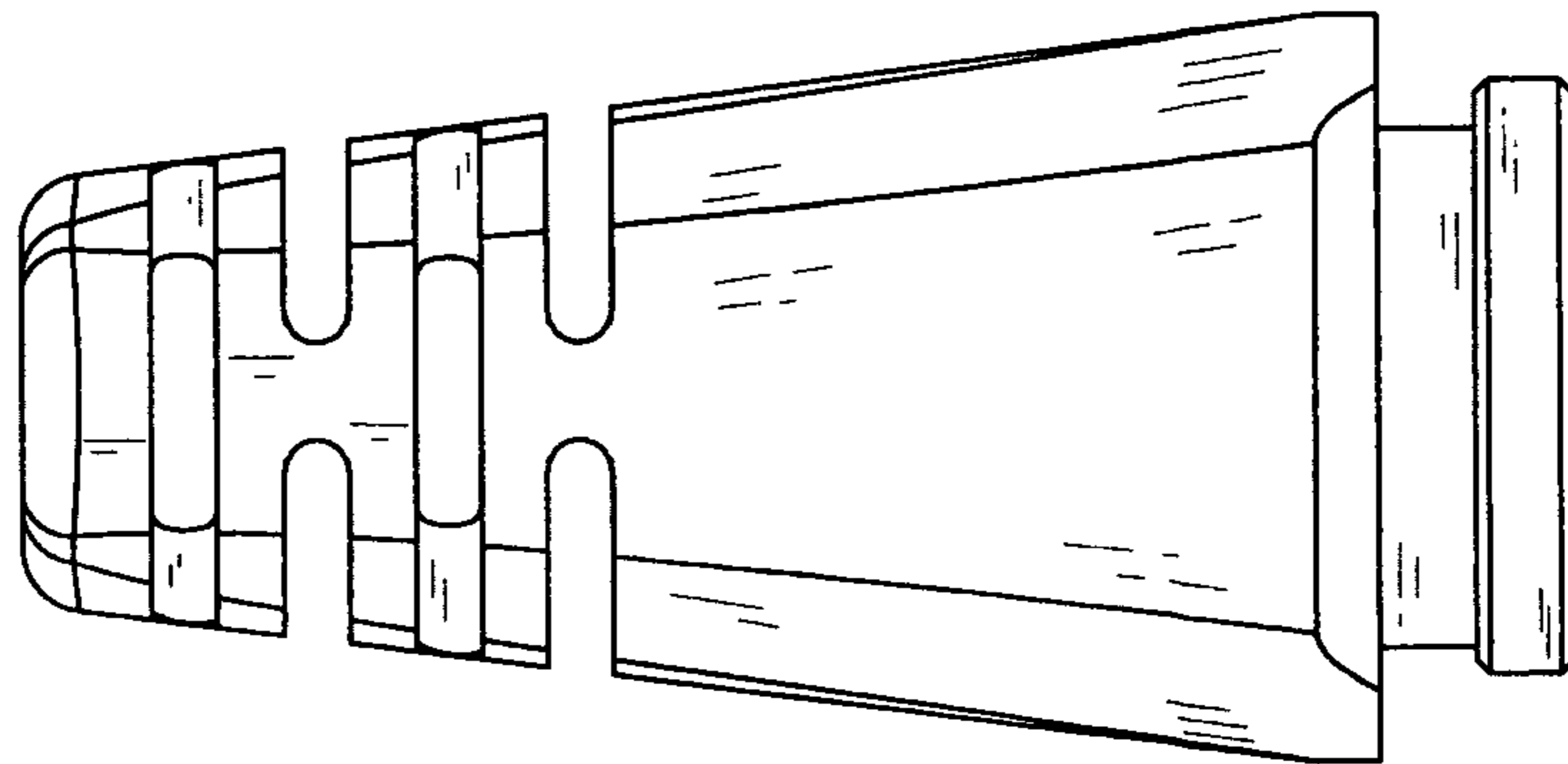


Fig.3

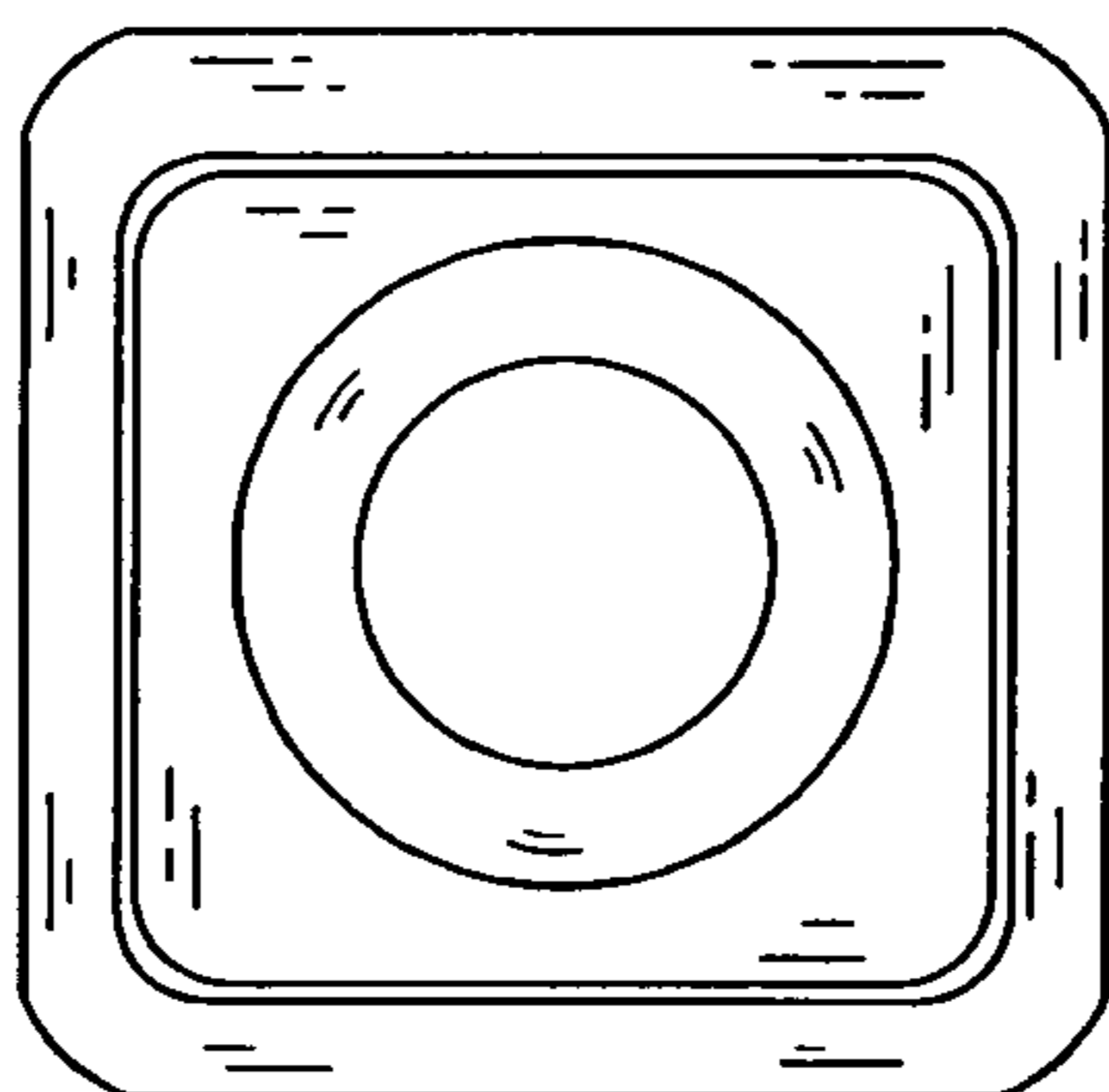


Fig.4

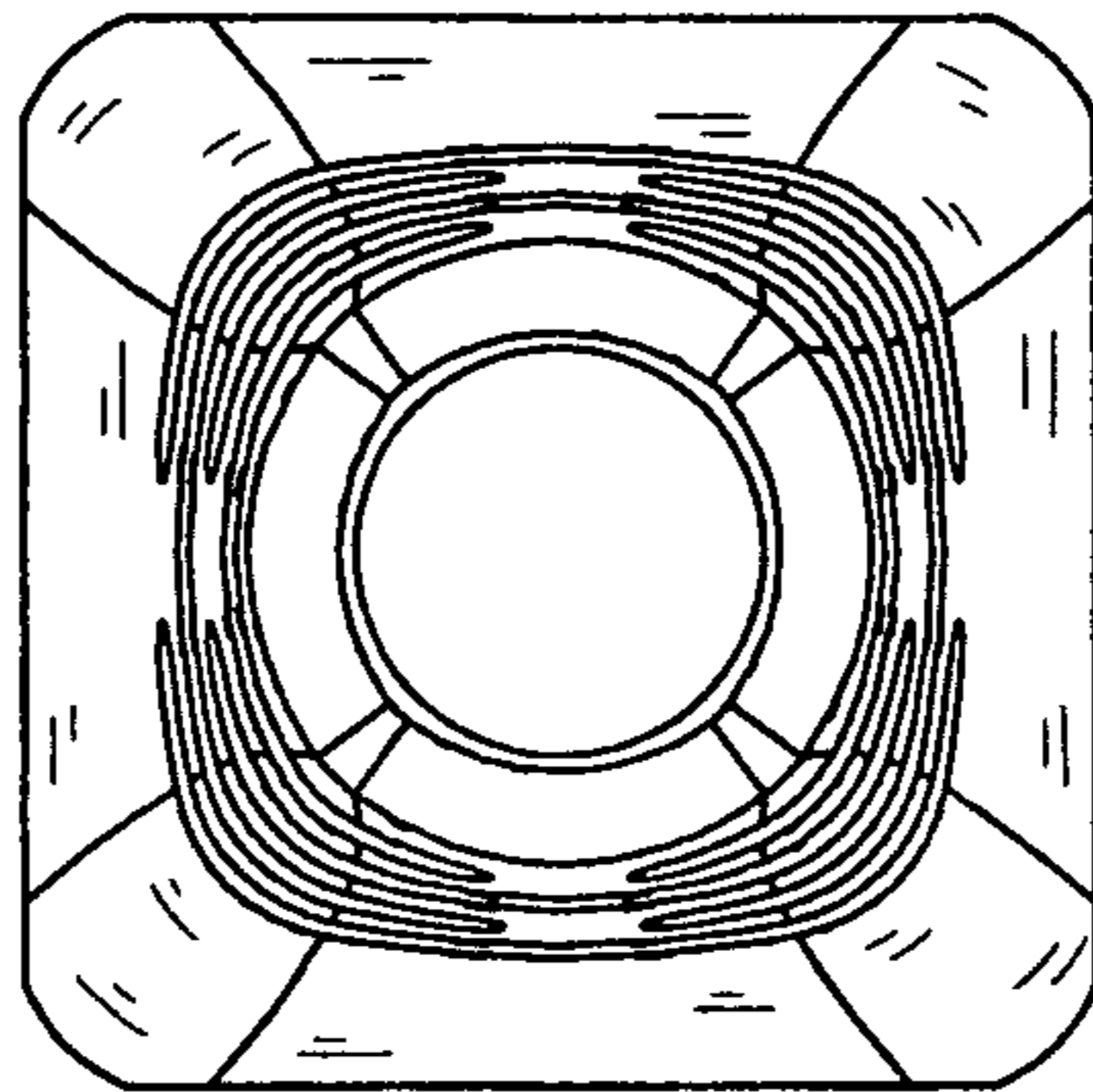


Fig.5

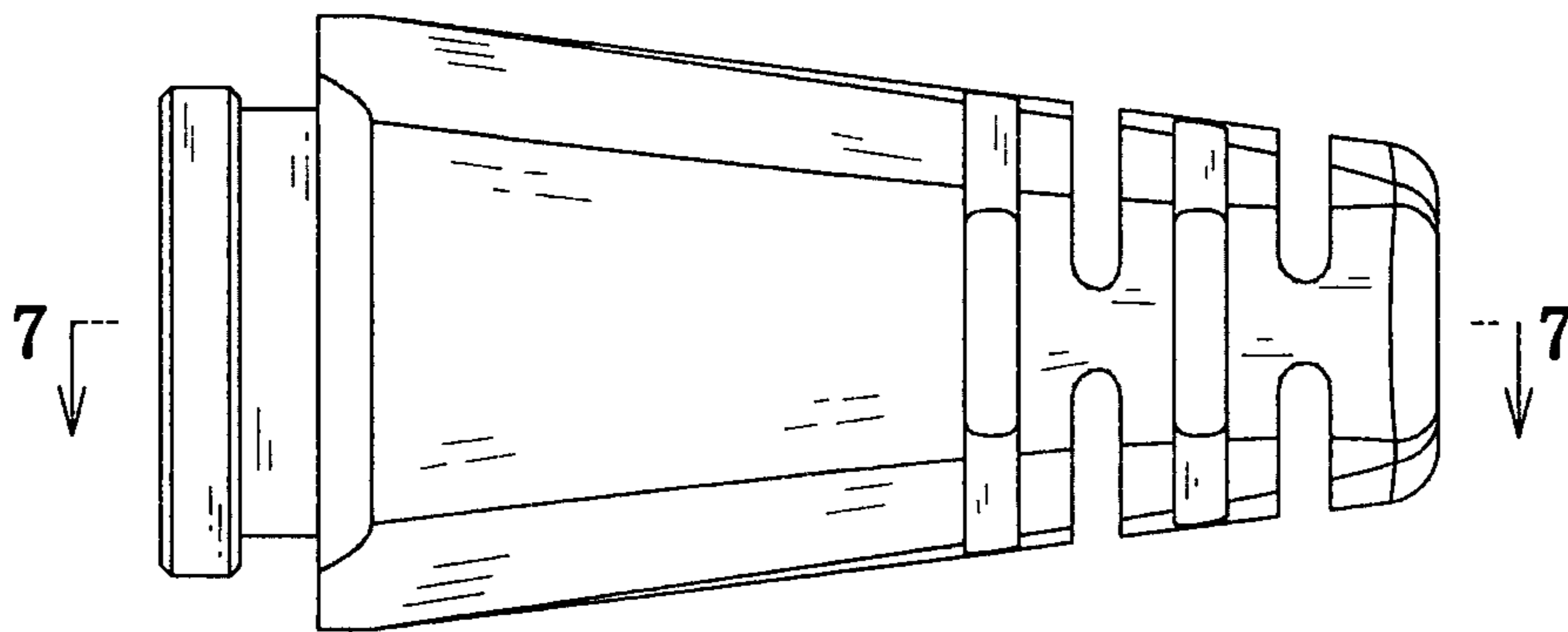


Fig.6

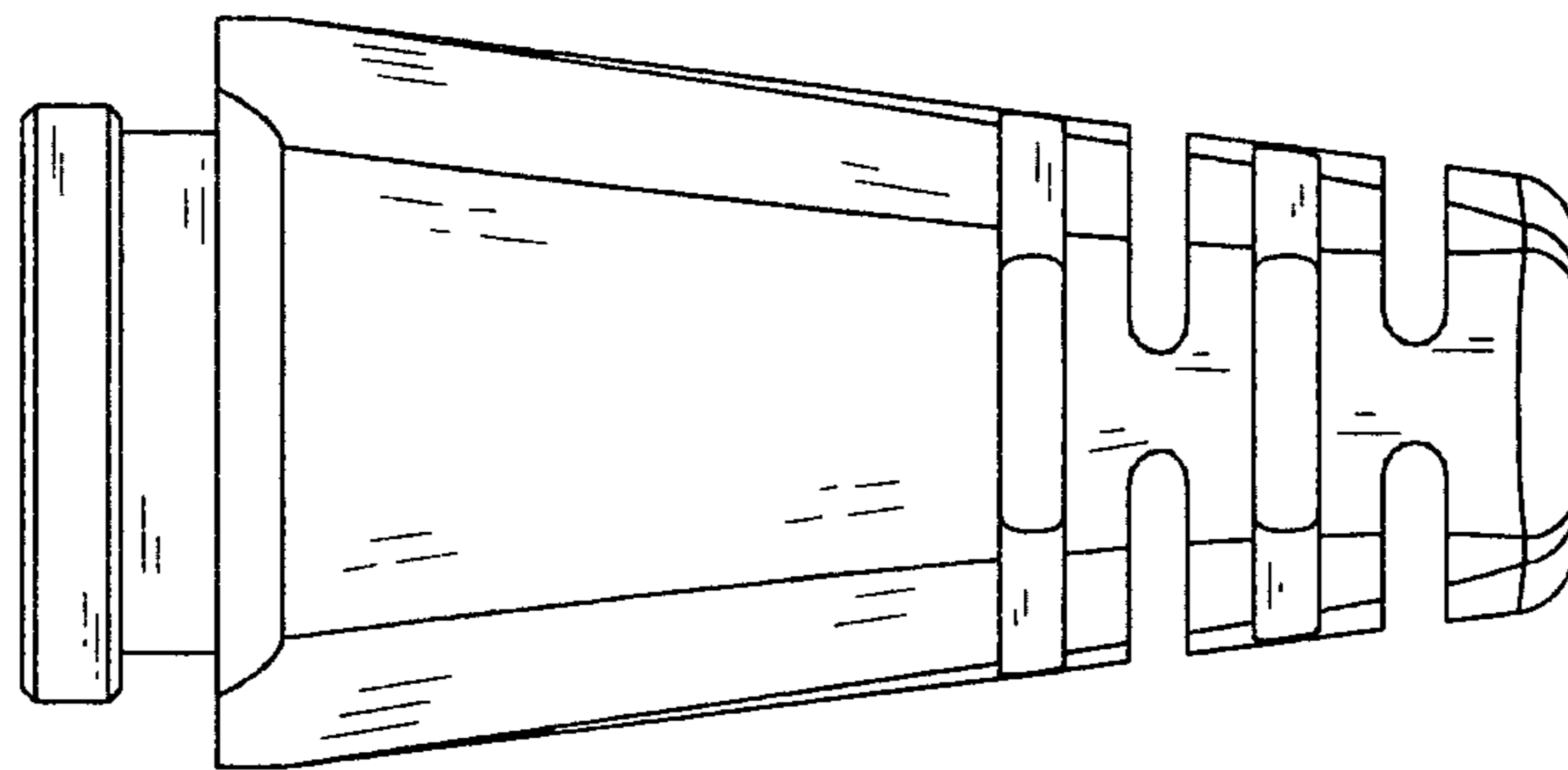


Fig. 7

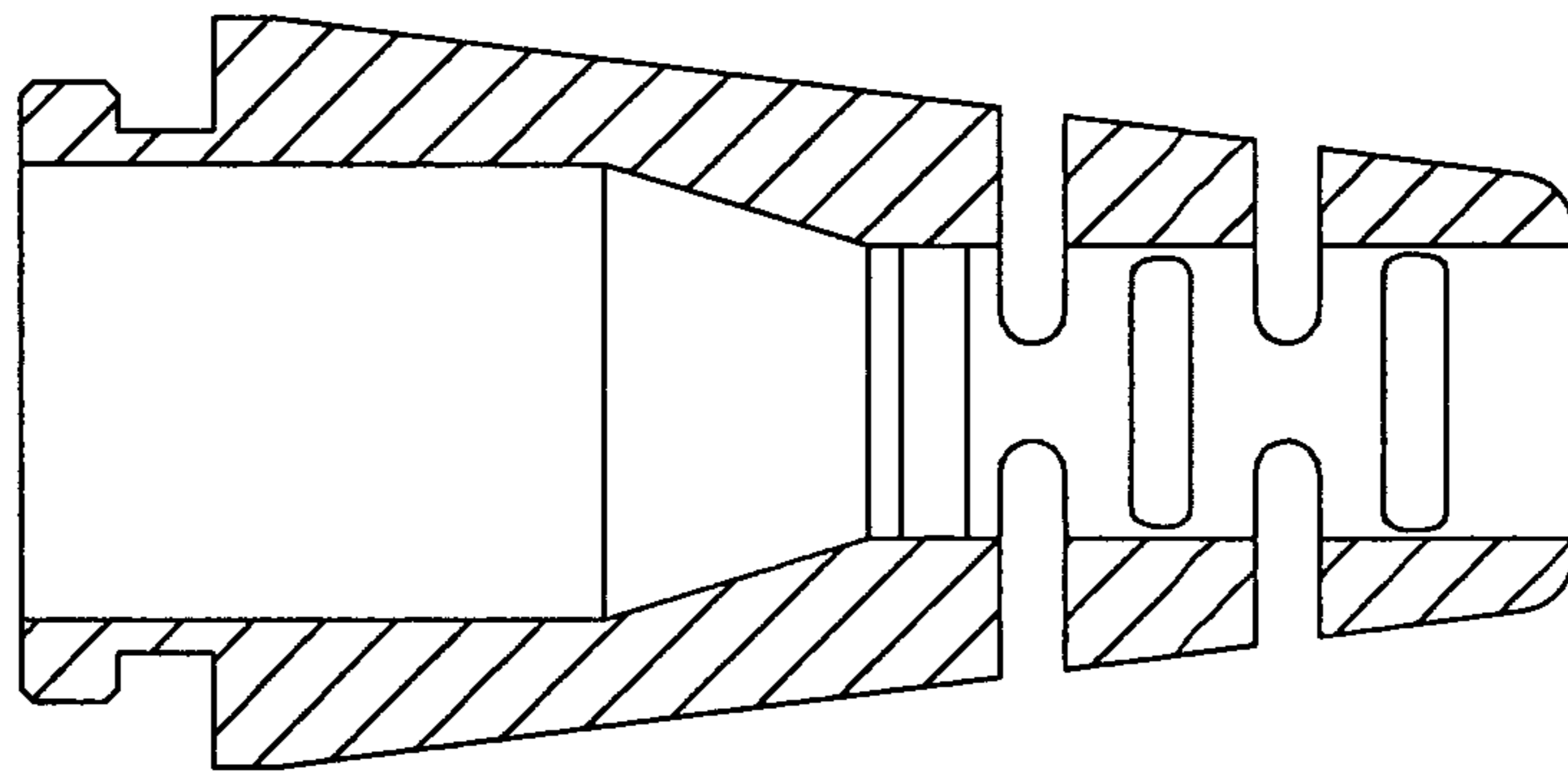




Fig.8

