



US00D680078S

(12) **United States Design Patent**  
**Richards et al.**

(10) **Patent No.:** **US D680,078 S**

(45) **Date of Patent:** **\*\* Apr. 16, 2013**

(54) **TWO-CONNECTOR CABLE**

(75) **Inventors:** **Christopher F. Richards**, Fountain Hills, AZ (US); **Bradley M. Strahle**, Crestline, CA (US); **Dany Nikolova Paragouteva**, Glendale, CA (US)

(73) **Assignee:** **Performance Designed Products LLC**, Sherman Oaks, CA (US)

(\*\*) **Term:** **14 Years**

(21) **Appl. No.:** **29/402,201**

(22) **Filed:** **Sep. 21, 2011**

**Related U.S. Application Data**

(63) Continuation-in-part of application No. 29/396,415, filed on Jun. 29, 2011, and a continuation-in-part of application No. 29/396,416, filed on Jun. 29, 2011, and a continuation-in-part of application No. 29/396,413, filed on Jun. 29, 2011, and a continuation-in-part of application No. 29/399,492, filed on Aug. 15, 2011.

(51) **LOC (9) Cl.** ..... **13-03**

(52) **U.S. Cl.**  
USPC ..... **D13/147**

(58) **Field of Classification Search** ..... D13/133,  
D13/146, 147, 153, 154, 156, 184, 199; 439/180,  
439/207, 210, 246, 278, 374, 376, 445-447,  
439/476.1, 527, 529, 533, 623, 892, 894,  
439/954

See application file for complete search history.

(56) **References Cited**

**U.S. PATENT DOCUMENTS**

D330,192	S	*	10/1992	Holland et al.	.....	D13/153
D515,511	S	*	2/2006	Nishio et al.	.....	D13/147
D561,112	S	*	2/2008	Victor	.....	D13/154
D586,753	S	*	2/2009	Diamond et al.	.....	D13/147
D635,930	S	*	4/2011	Li et al.	.....	D13/147
D661,650	S	*	6/2012	Auge et al.	.....	D13/133

\* cited by examiner

*Primary Examiner* — Daniel Bui

(74) *Attorney, Agent, or Firm* — Sheppard Mullin Richter & Hampton LLP

(57) **CLAIM**

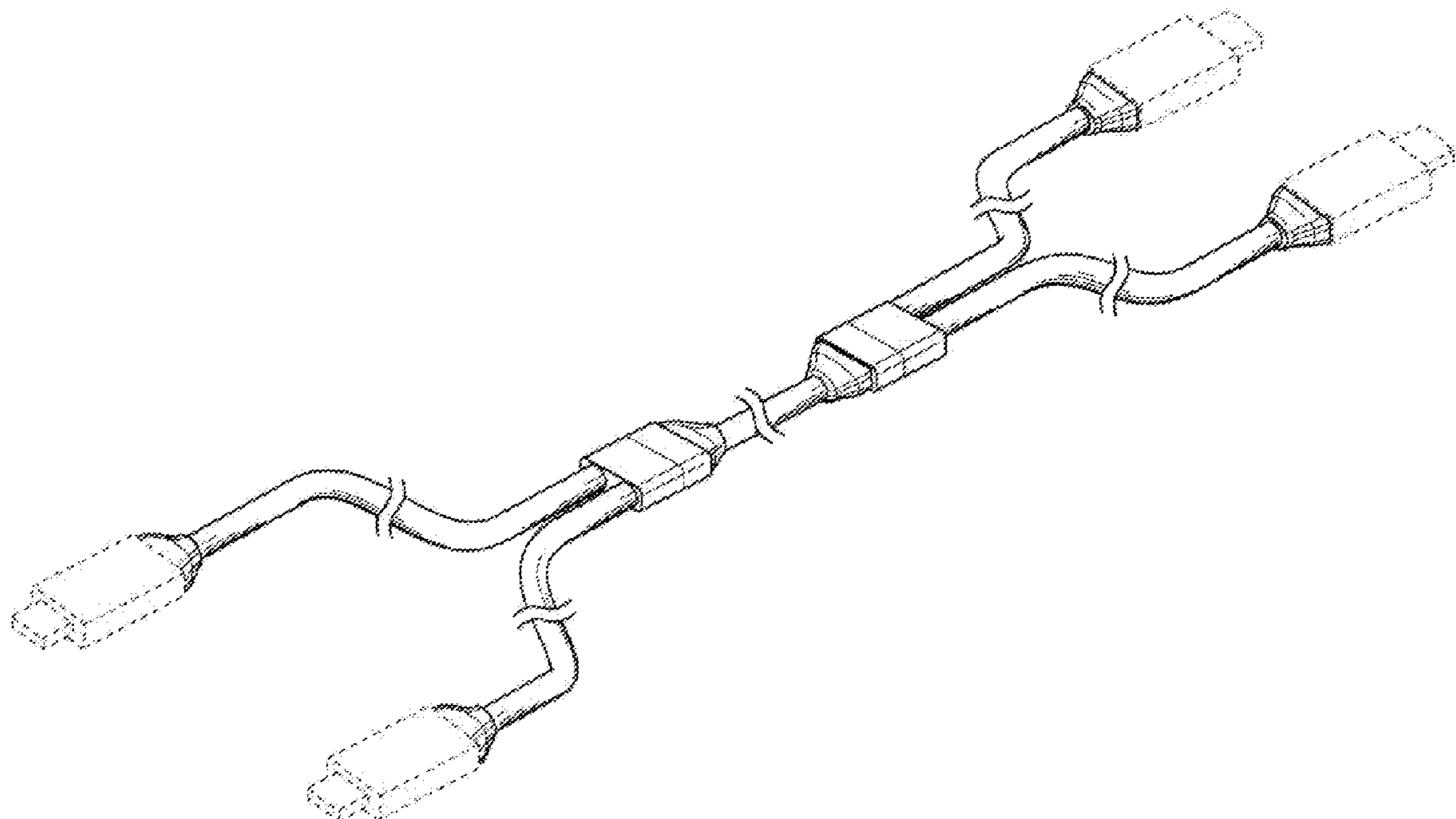
We claim the ornamental design for a two-connector cable, as shown and described.

**DESCRIPTION**

FIG. 1 is a perspective view of a two-connector cable embodying our new design;  
FIG. 2 is a front elevation view thereof;  
FIG. 3 is a rear elevation view thereof;  
FIG. 4 is a side elevation view thereof;  
FIG. 5 is another side elevation view thereof;  
FIG. 6 is top view thereof; and,  
FIG. 7 is bottom view thereof.

The broken line in the figure drawings is included for the purpose of illustrating environment and forms no part of the claimed design.

**1 Claim, 3 Drawing Sheets**



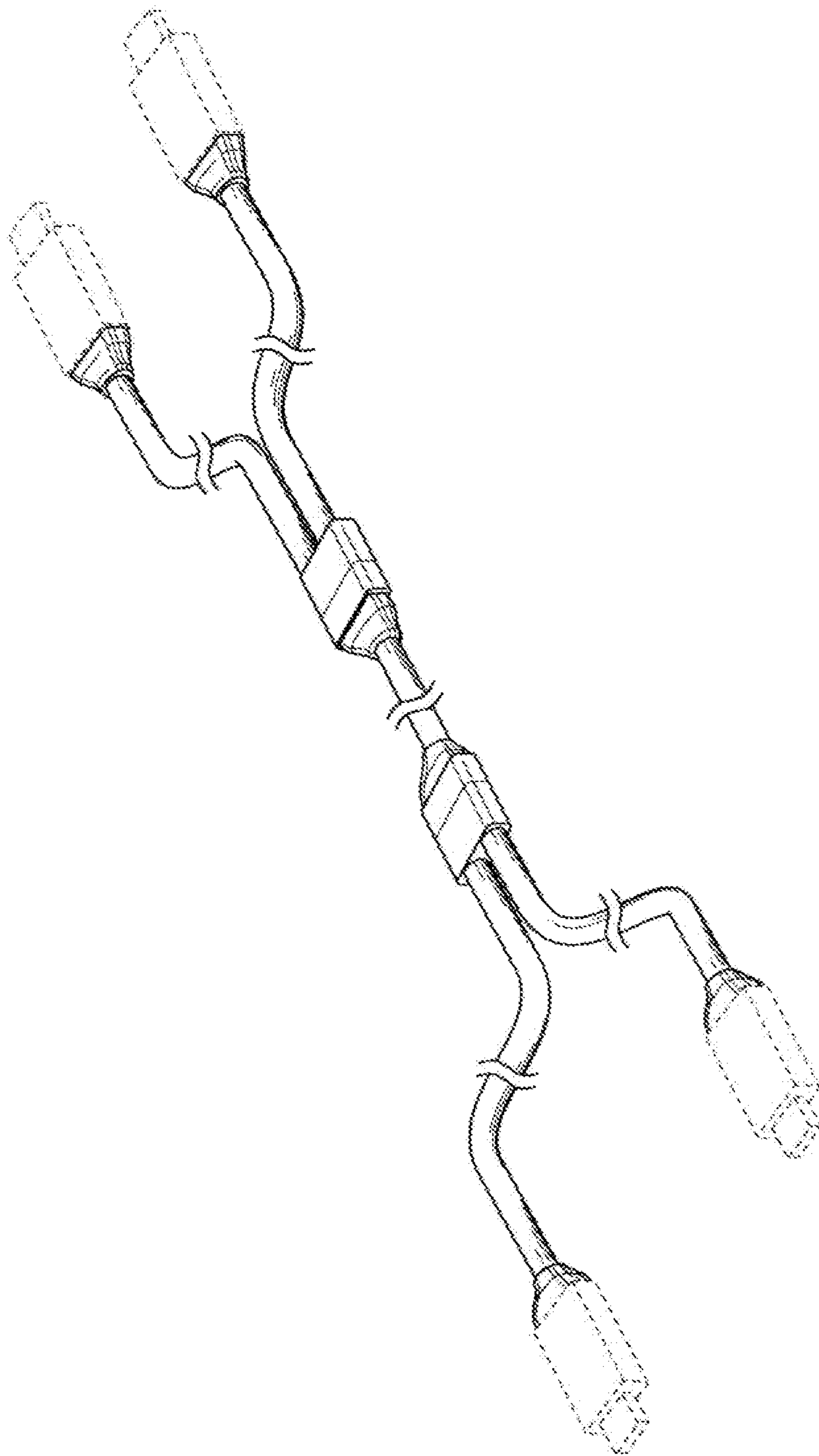


FIG. 1

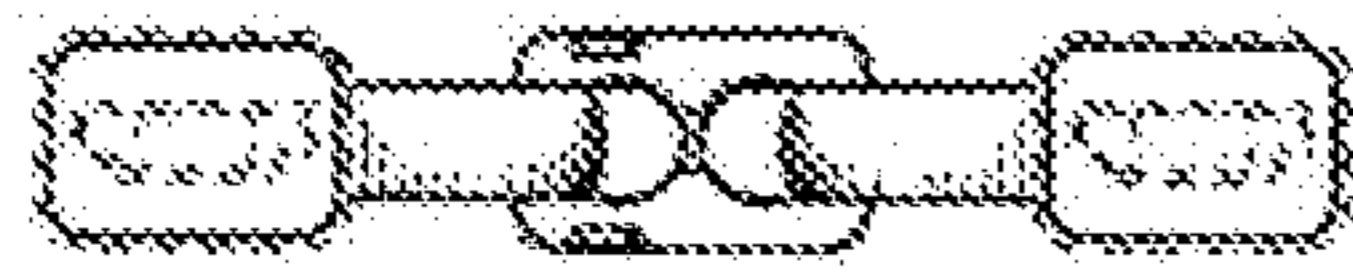


FIG. 2



FIG. 3



FIG. 4

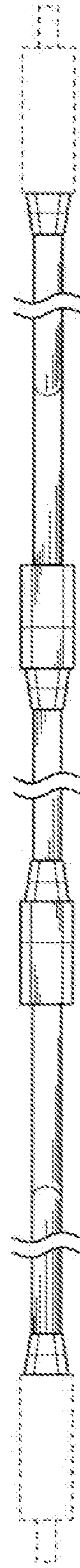


FIG. 5

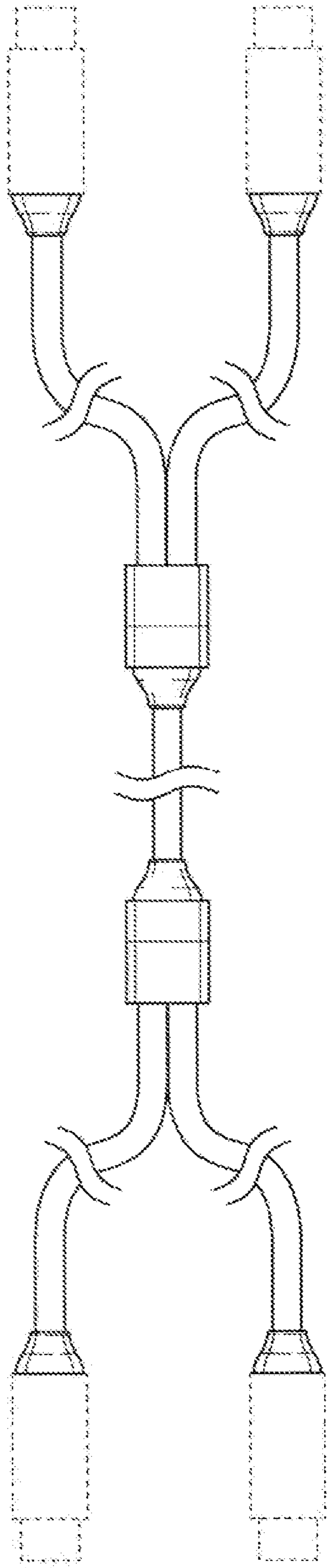


FIG. 6

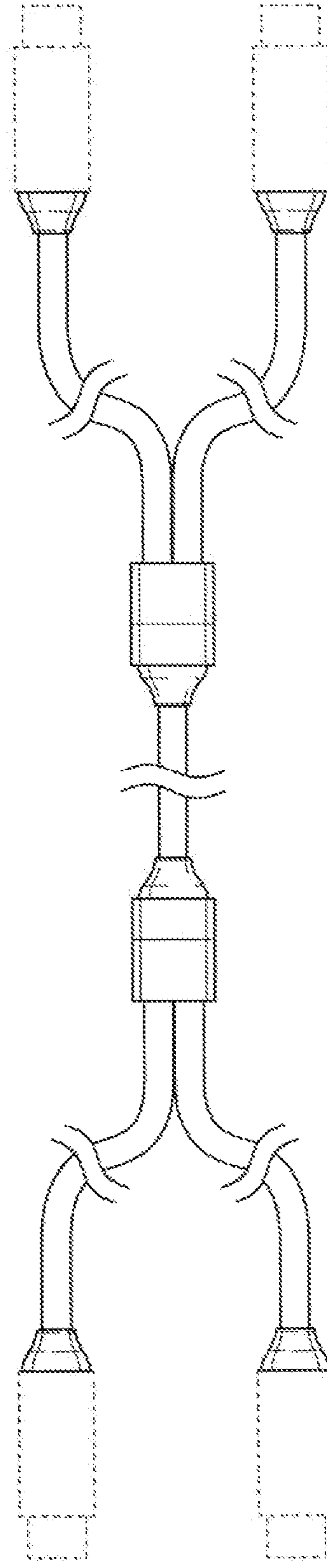


FIG. 7