



US00D680076S

(12) **United States Design Patent**
McManigal

(10) **Patent No.:** **US D680,076 S**

(45) **Date of Patent:** **** Apr. 16, 2013**

(54) **USB CABLE**

(75) Inventor: **Scott McManigal**, Irvine, CA (US)

(73) Assignee: **Vizio Inc.**, Irvine, CA (US)

(**) Term: **14 Years**

(21) Appl. No.: **29/399,615**

(22) Filed: **Aug. 16, 2011**

(51) **LOC (9) Cl.** **13-03**

(52) **U.S. Cl.**
USPC **D13/147**

(58) **Field of Classification Search** D13/133,
D13/146, 147, 154, 184, 199; 439/79, 248,
439/258, 274, 350, 352, 353, 354, 357, 358,
439/374, 447, 476.1, 594, 598, 607.01, 607.04,
439/607.05, 607.17, 607.25, 607.34, 607.41,
439/607.53, 656, 660, 668, 680, 711, 745,
439/752

See application file for complete search history.

(56) **References Cited**

U.S. PATENT DOCUMENTS

D442,553 S * 5/2001 Urban et al. D13/153
D531,125 S * 10/2006 Wang et al. D13/147
D553,567 S * 10/2007 Kawanobe D13/133

D588,147 S * 3/2009 Finlayson et al. D14/480.5
D599,800 S * 9/2009 Klein et al. D14/433
D601,502 S * 10/2009 Miyatake et al. D13/133
D644,611 S * 9/2011 Sasaki et al. D13/147
D649,120 S * 11/2011 Kondo et al. D13/147

* cited by examiner

Primary Examiner — Daniel Bui

(74) *Attorney, Agent, or Firm* — Law Office of Scott C. Harris, Inc.

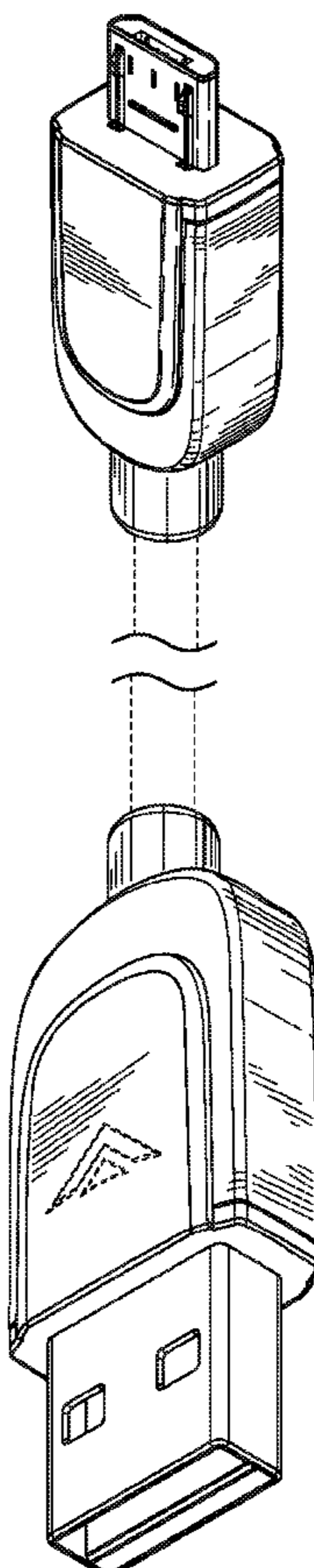
(57) **CLAIM**

The ornamental design for a USB cable, as shown and described.

DESCRIPTION

FIG. 1 is a perspective view of the USB cable;
FIGS. 2 and 3 are respectively bottom and top views of the USB cable;
FIGS. 4 and 5 are side views of the USB cable;
FIGS. 4 and 5 show alternate side views of the USB cable;
and,
FIGS. 6 and 7 show front and back views of the connector of the USB cable.
The broken line in the drawing views is included for the purpose of illustrating environment and forms no part of the claimed design.

1 Claim, 4 Drawing Sheets



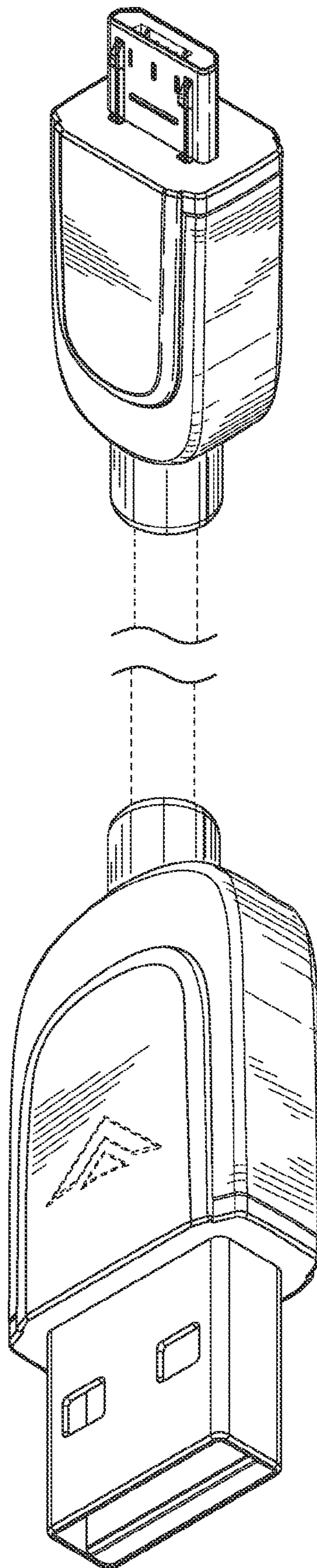


FIG. 1

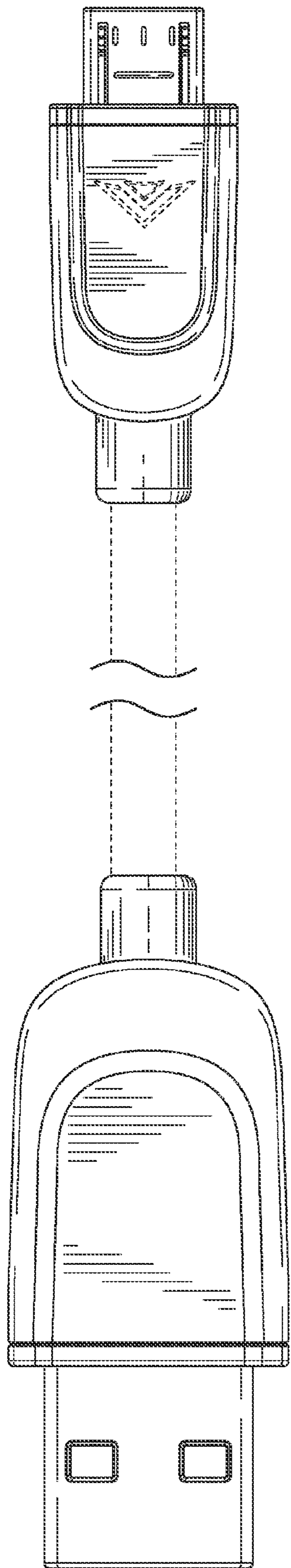


FIG. 2

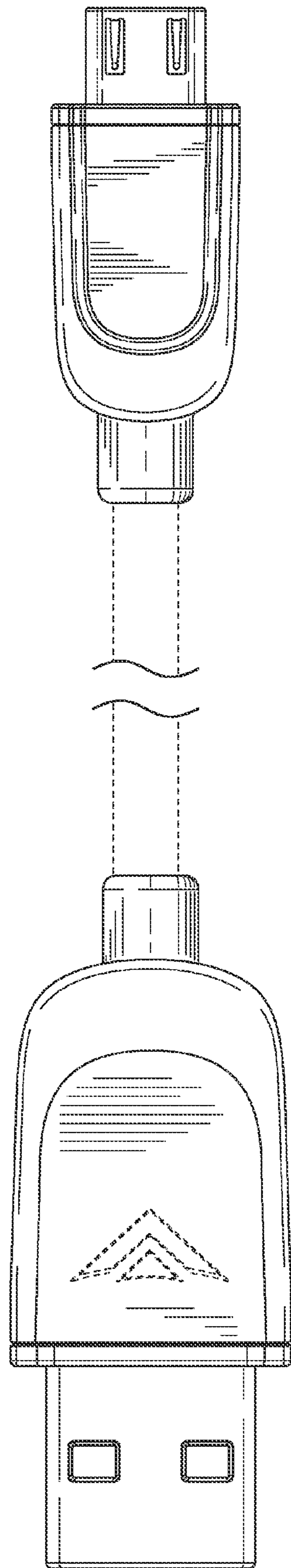


FIG. 3

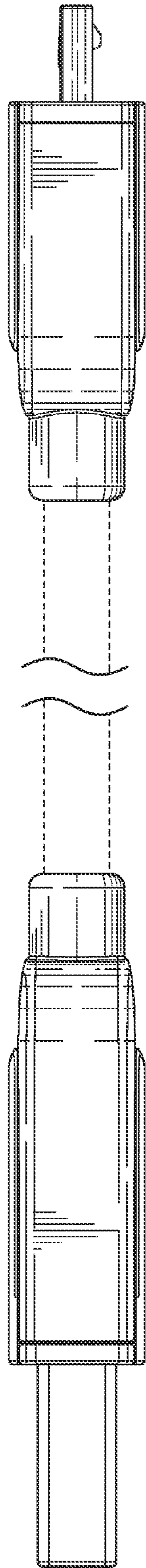


FIG. 4

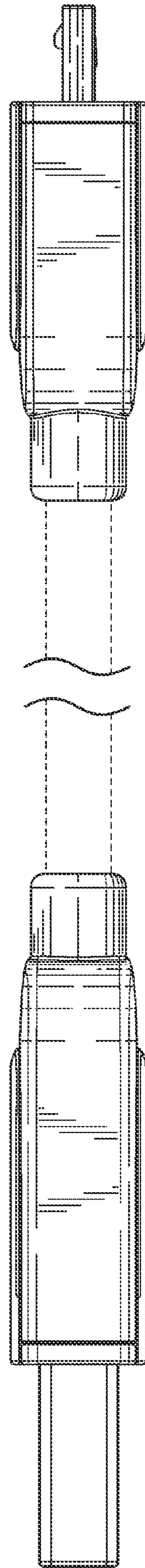


FIG. 5

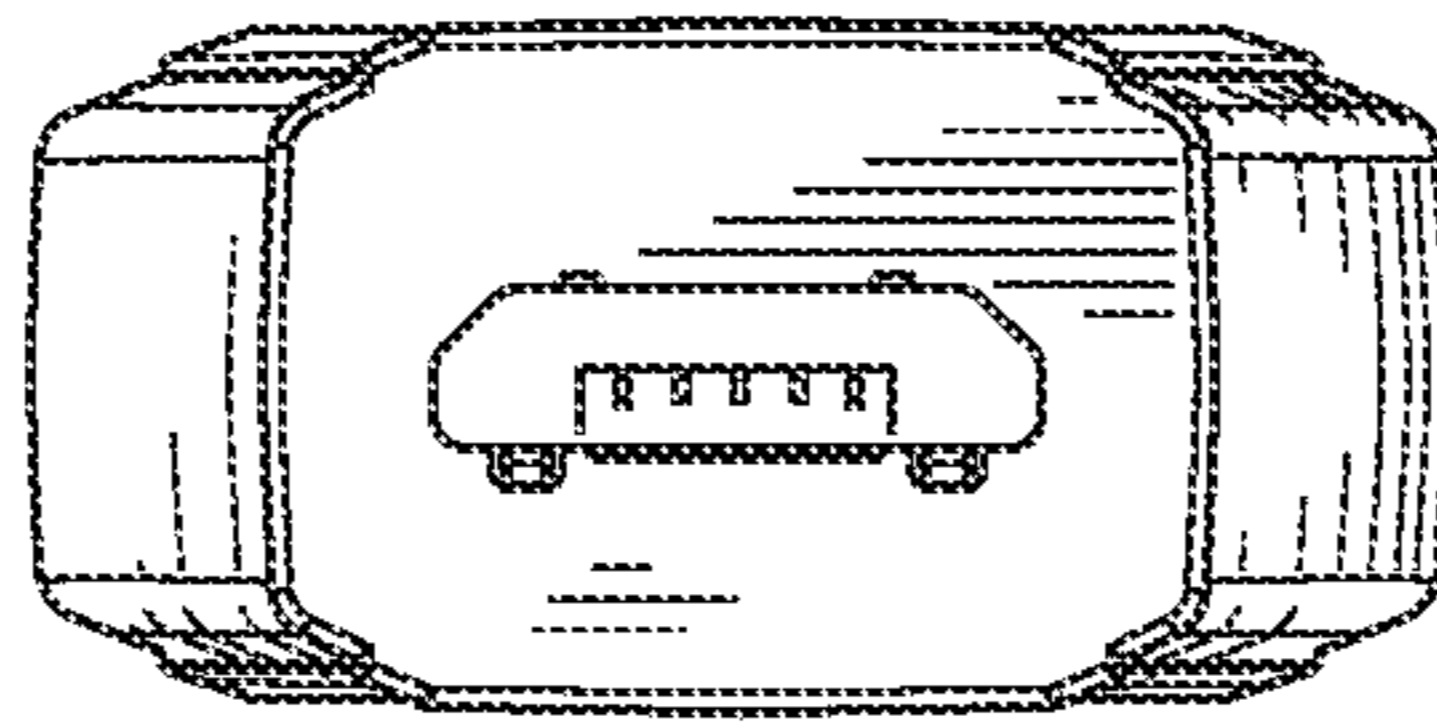


FIG. 6

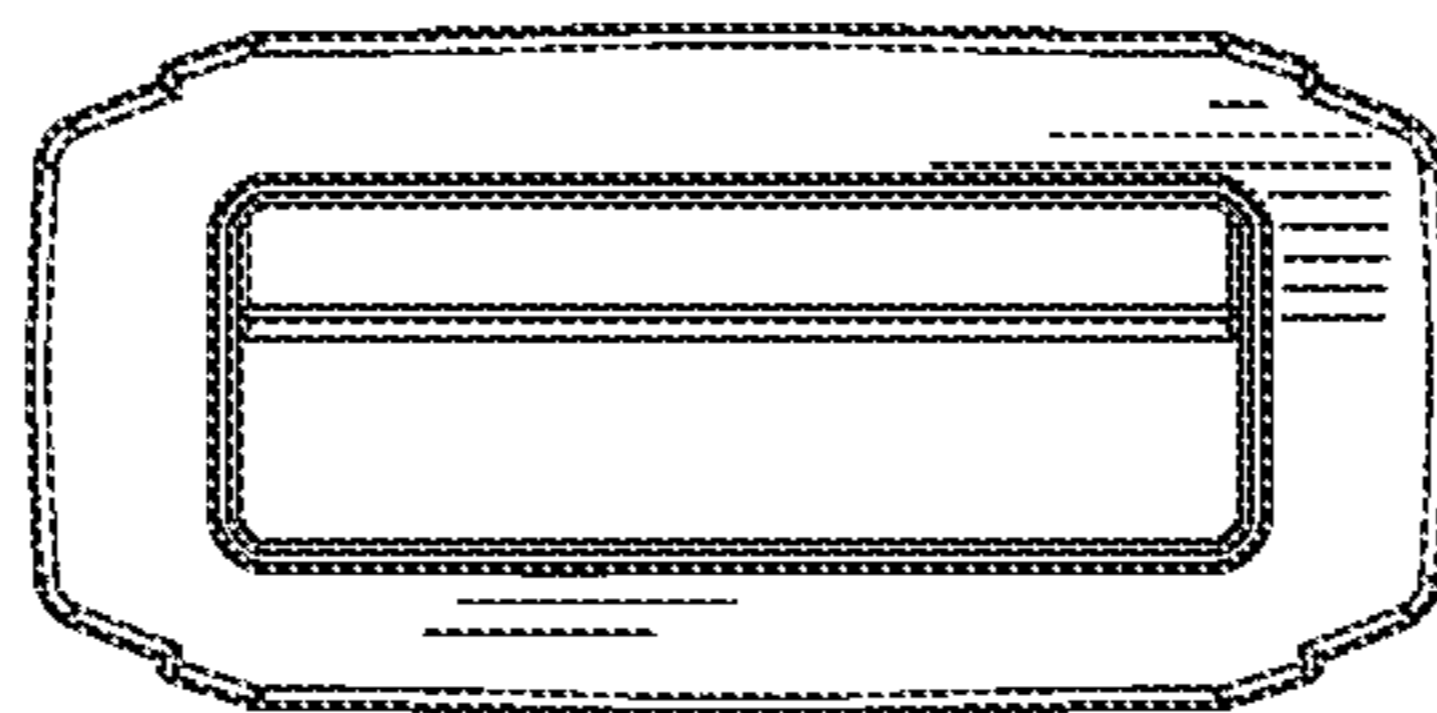


FIG. 7