



US00D680075S

(12) **United States Design Patent**  
**Yang et al.**

(10) **Patent No.:** **US D680,075 S**  
(45) **Date of Patent:** **\*\* Apr. 16, 2013**

(54) **OPTICAL FIBER CONNECTOR**

(75) Inventors: **Guo Yang**, Guangdong (CN); **Qiyue Wang**, Guangdong (CN)

(73) Assignee: **SUNSEA Telecommunications Co., Ltd.**, Shenzhen, Guangdong (CN)

(\*\*) Term: **14 Years**

(21) Appl. No.: **29/414,924**

(22) Filed: **Mar. 6, 2012**

(30) **Foreign Application Priority Data**

Feb. 27, 2012 (CN) ..... 2012 3 0039952

(51) **LOC (9) Cl.** ..... **13-03**

(52) **U.S. Cl.**  
USPC ..... **D13/133**

(58) **Field of Classification Search** ..... D13/133,  
D13/147, 154, 184, 199; 385/55, 56, 59,  
385/76, 77, 78, 88, 89

See application file for complete search history.

(56) **References Cited**

U.S. PATENT DOCUMENTS

5,293,581 A \* 3/1994 DiMarco ..... 385/76  
5,481,634 A \* 1/1996 Anderson et al. .... 385/76  
D434,376 S \* 11/2000 Connelly ..... D13/133

D481,680 S \* 11/2003 Cheng et al. .... D13/133  
6,918,704 B2 \* 7/2005 Marrs et al. .... 385/78  
D523,396 S \* 6/2006 Shiraishi et al. .... D13/133  
D528,505 S \* 9/2006 Caveney et al. .... D13/133  
D603,796 S \* 11/2009 Sticker et al. .... D13/147  
D619,100 S \* 7/2010 Larson et al. .... D13/154  
8,070,367 B2 \* 12/2011 Winberg et al. .... 385/81  
2005/0213897 A1 \* 9/2005 Palmer et al. .... 385/95

\* cited by examiner

*Primary Examiner* — Daniel Bui

(74) *Attorney, Agent, or Firm* — Panitch Schwarze Belisario & Nadel LLP

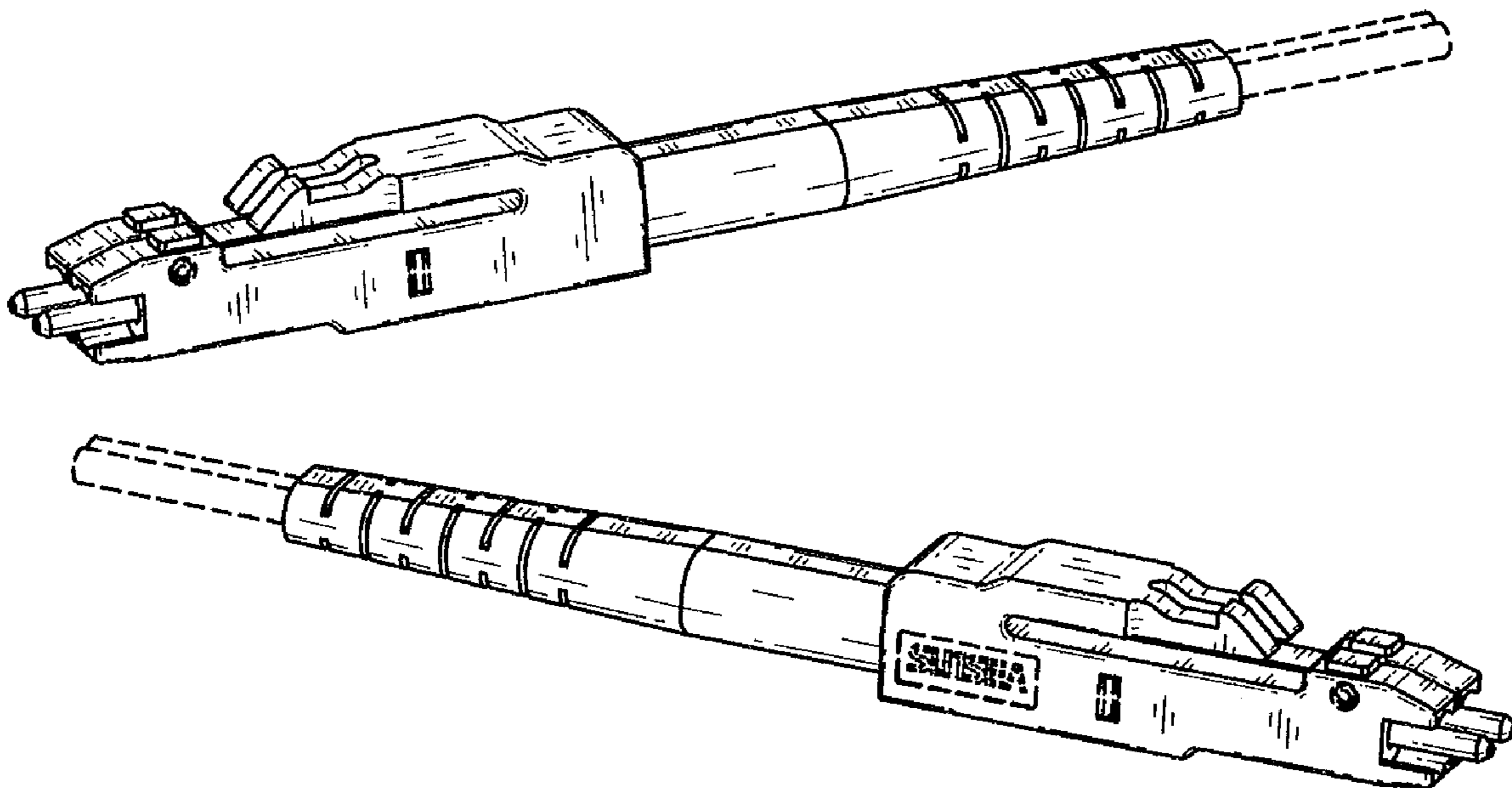
(57) **CLAIM**

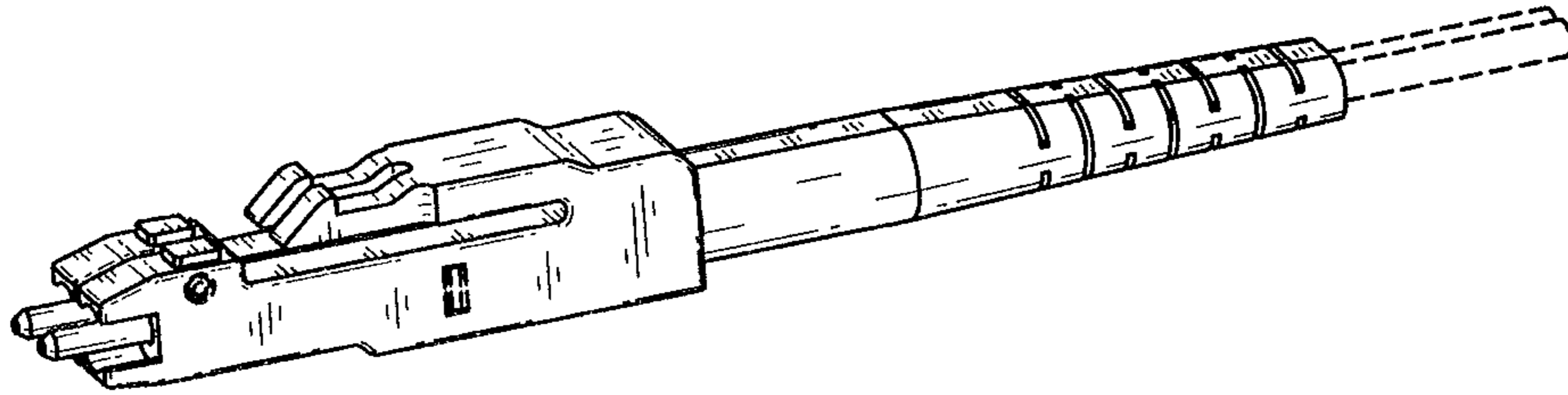
The ornamental design for an optical fiber connector, as shown and described.

**DESCRIPTION**

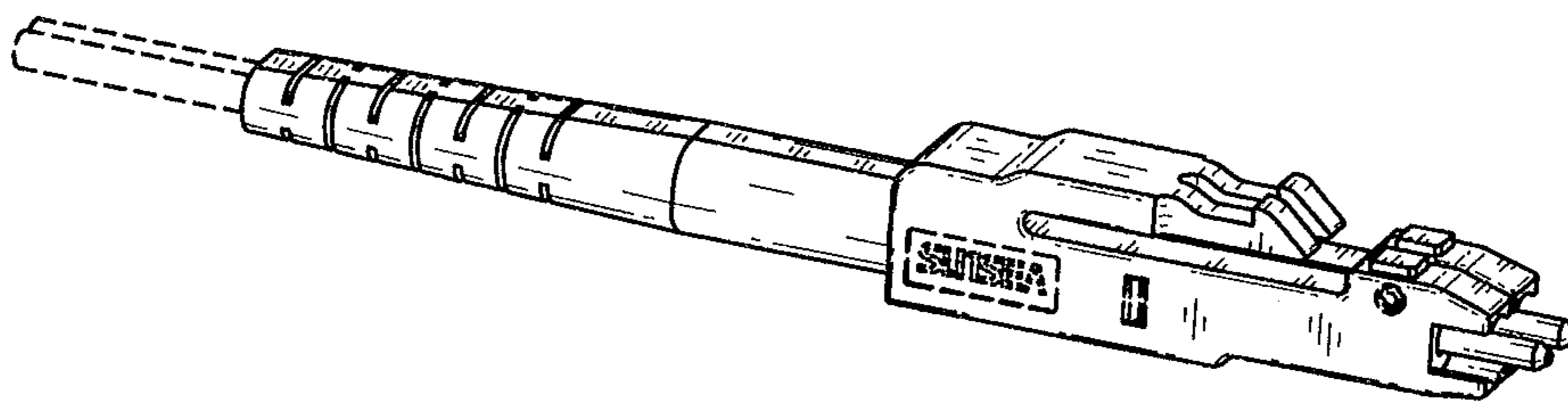
FIG. 1 is a front perspective view of an optical fiber connector showing our new design;  
FIG. 2 is a rear perspective view thereof;  
FIG. 3 is a front elevational view thereof;  
FIG. 4 is a rear elevational view thereof;  
FIG. 5 is a left side elevational view thereof;  
FIG. 6 is a right side elevational view thereof;  
FIG. 7 is a top plan view thereof; and,  
FIG. 8 is a bottom plan view thereof.  
The broken lines in the figures are for the purpose of showing unclaimed environmental structure only and form no part of the claimed design.

**1 Claim, 4 Drawing Sheets**

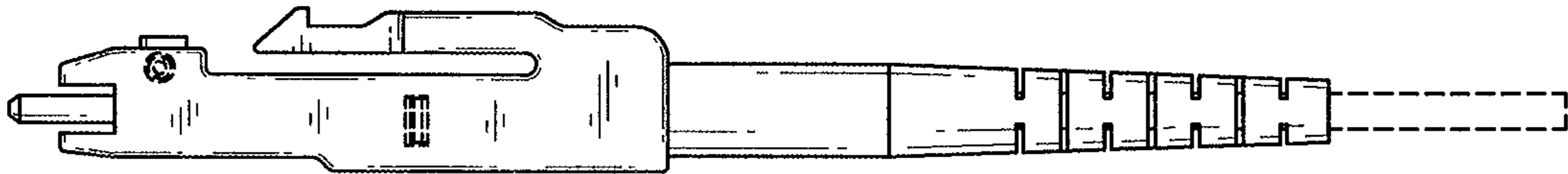




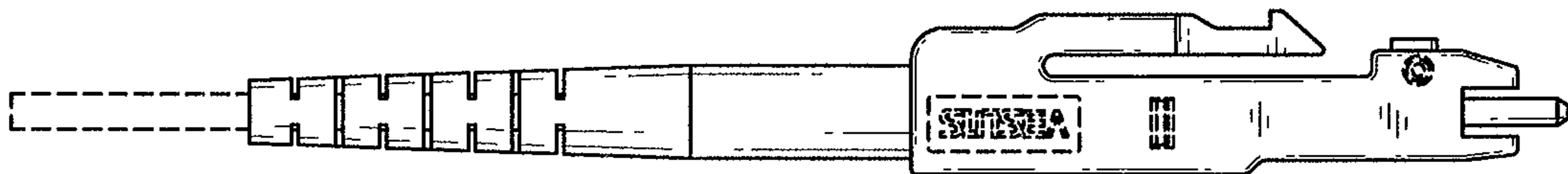
*Fig. 1*



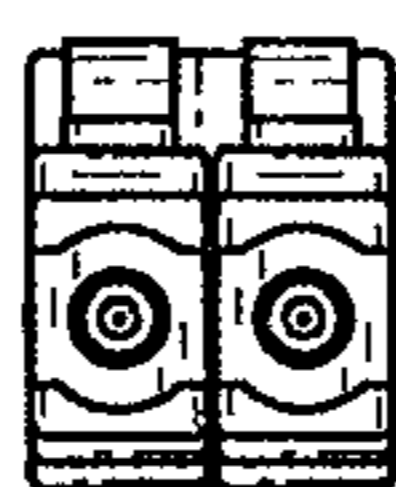
*Fig. 2*



*Fig. 3*



*Fig. 4*



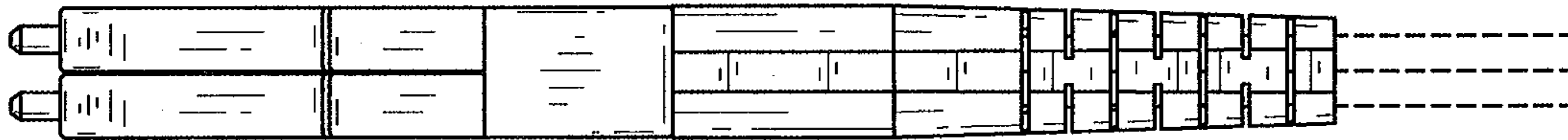
*Fig. 5*



*Fig. 6*



*Fig. 7*



*Fig. 8*

UNITED STATES PATENT AND TRADEMARK OFFICE  
**CERTIFICATE OF CORRECTION**

PATENT NO. : D680,075 S  
APPLICATION NO. : 29/414924  
DATED : April 16, 2013  
INVENTOR(S) : Guo Yang et al.

Page 1 of 1

It is certified that error appears in the above-identified patent and that said Letters Patent is hereby corrected as shown below:

Title Page, Item (30):

The "Foreign Application Priority Data" should read

-- Feb. 27, 2012 (CN) 2012 3 0039952.6 --.

Signed and Sealed this  
Twenty-third Day of July, 2013



Teresa Stanek Rea  
*Acting Director of the United States Patent and Trademark Office*