

US00D680074S

(12) **United States Design Patent**
Miller

(10) **Patent No.:** **US D680,074 S**
(45) **Date of Patent:** **** Apr. 16, 2013**

(54) **ELECTRIC GENERATOR**
(71) Applicant: **C.E. Niehoff & Co.**, Evanston, IL (US)
(72) Inventor: **Gerald Miller**, Skokie, IL (US)
(73) Assignee: **C.E. Niehoff & Co.**, Evanston, IL (US)

D563,871 S 3/2008 Becker et al.
D574,325 S 8/2008 Naghshineh
D587,194 S 2/2009 Pourkermani et al.
D610,088 S 2/2010 Becker et al.
D618,170 S 6/2010 Miller
D618,615 S 6/2010 Basic et al.
D650,332 S 12/2011 Pourkermani et al.
D665,353 S 8/2012 Balaban

(**) Term: **14 Years**

(21) Appl. No.: **29/434,308**

(22) Filed: **Oct. 11, 2012**

(51) **LOC (9) Cl.** **13-01**

(52) **U.S. Cl.**
USPC **D13/114**

(58) **Field of Classification Search** D13/114,
D13/112, 113, 122, 184, 199; D15/1, 5;
290/36 R, 38 R, 39; 310/10, 20, 40 R, 40 MM,
310/42, 68 D, 75 R, 80, 83, 88, 89, 98, 109,
310/114

See application file for complete search history.

(56) **References Cited**

U.S. PATENT DOCUMENTS

D314,742 S * 2/1991 Sieber D13/114
5,172,022 A * 12/1992 Ketola 310/91
5,696,415 A * 12/1997 Fujimoto et al. 310/89
D398,285 S 9/1998 Becker et al.
D398,286 S 9/1998 Becker et al.
5,914,549 A * 6/1999 Adachi et al. 310/89
D425,020 S 5/2000 Becker et al.
D467,541 S * 12/2002 Hemphill D13/114
D548,696 S 8/2007 Pourkermani et al.
D563,870 S 3/2008 Naghshineh

OTHER PUBLICATIONS

C.E. Niehoff & Co. Brushless Alternators Product Catalog, 2001.
C.E. Niehoff & Co. Brushless Alternators, 2009 <http://www.ceniehoff.com>.

* cited by examiner

Primary Examiner — Derrick Holland

(74) *Attorney, Agent, or Firm* — Law Offices of Michael M. Ahmadshahi

(57) **CLAIM**

The ornamental design for an electric generator, as shown and described.

DESCRIPTION

FIG. 1 is a front view of an electric generator according to the present invention.

FIG. 2 is a rear view thereof.

FIG. 3 is a first side view thereof.

FIG. 4 is a second side view thereof.

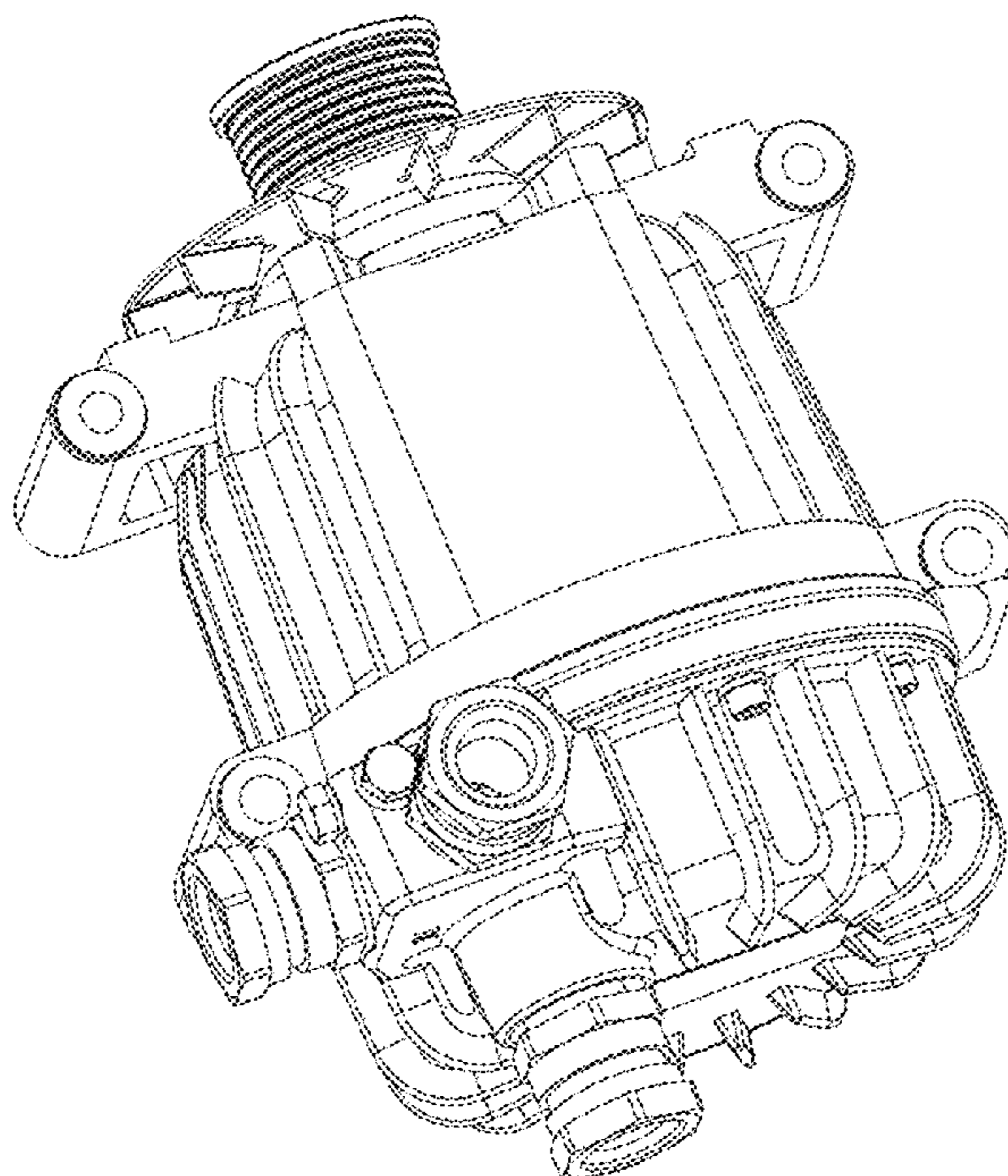
FIG. 5 is a top view thereof.

FIG. 6 is a bottom view thereof.

FIG. 7 is a first isometric view thereof; and,

FIG. 8 is a second isometric view thereof.

1 Claim, 8 Drawing Sheets



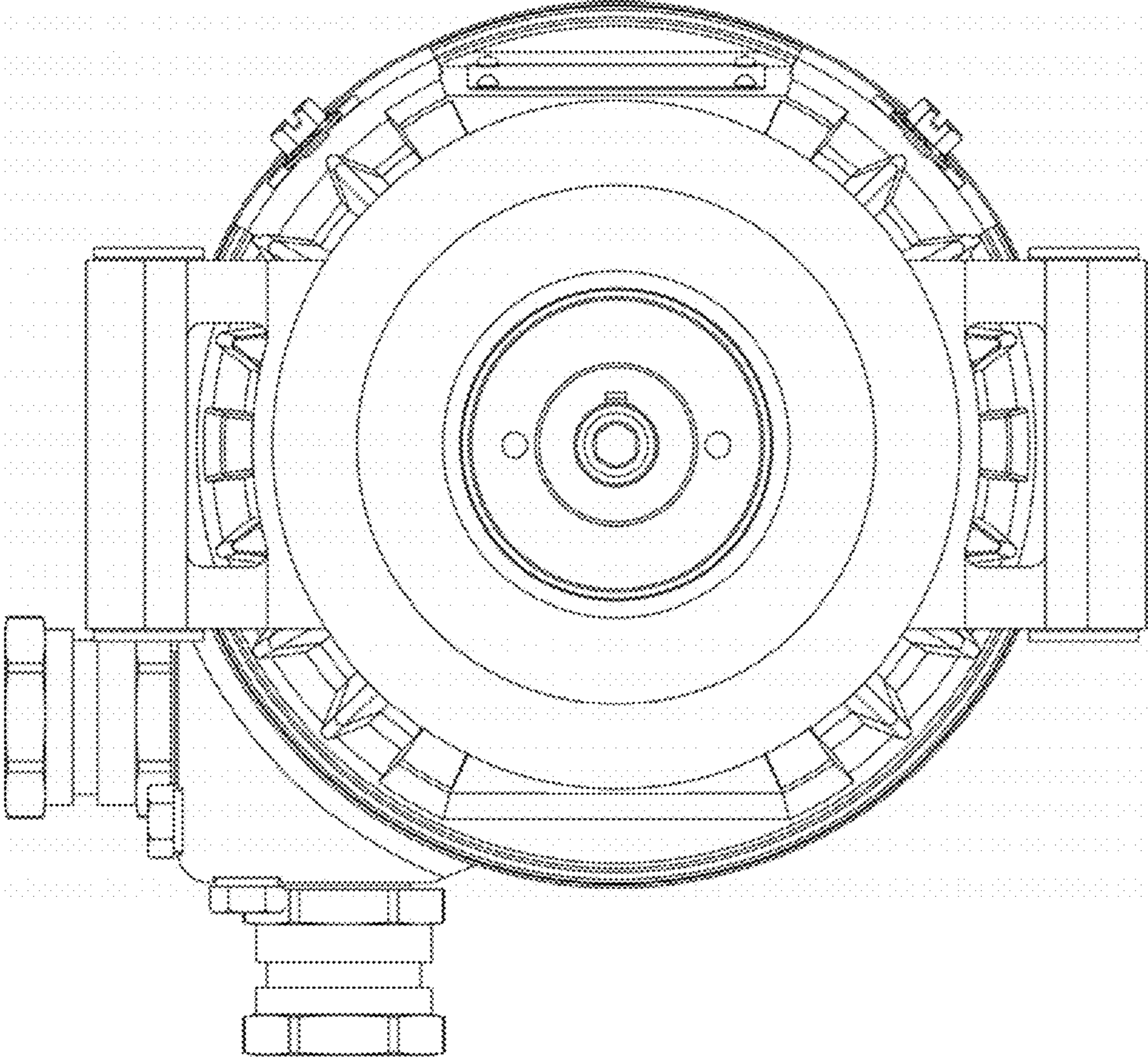


FIG. 1

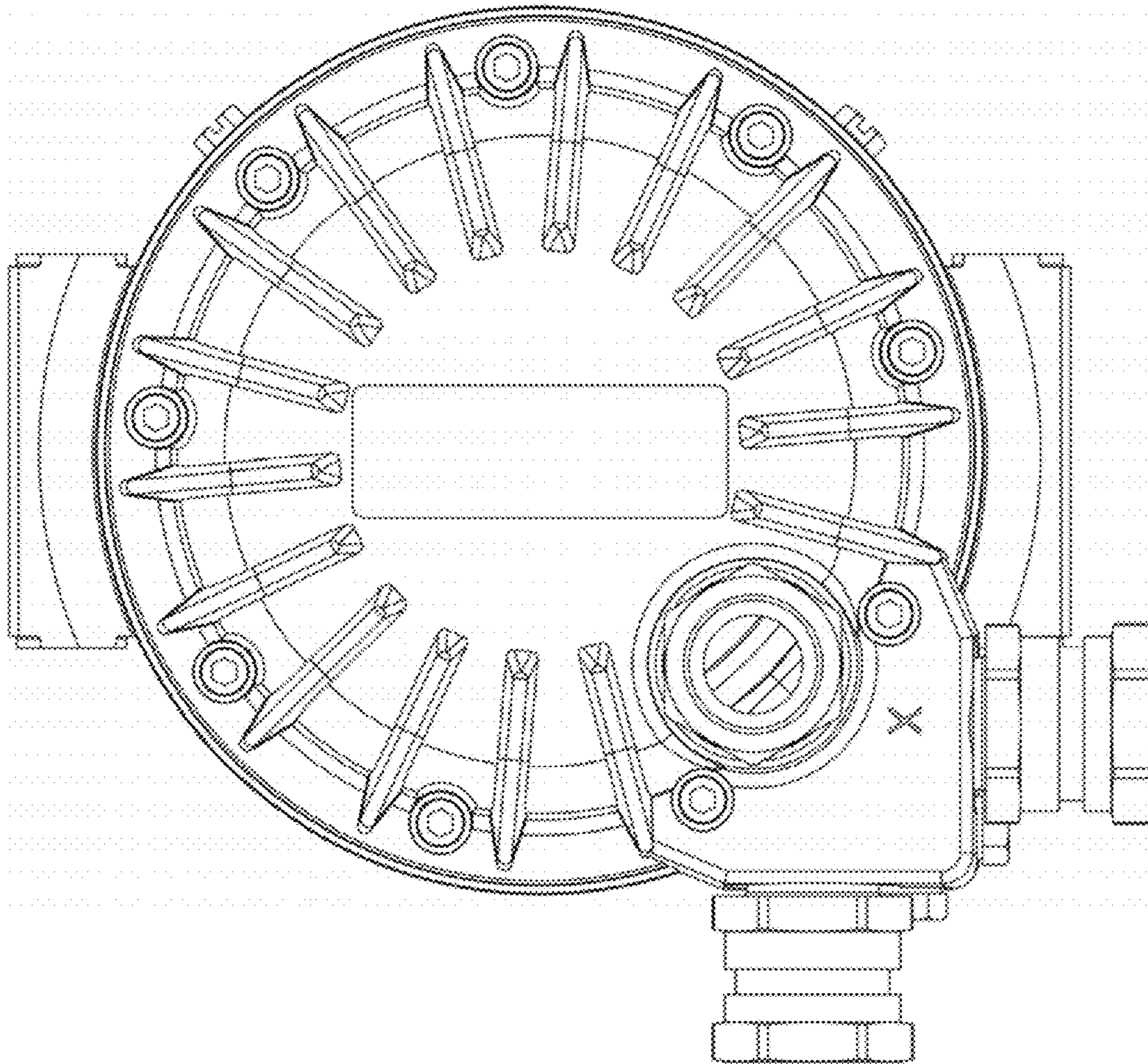


FIG. 2

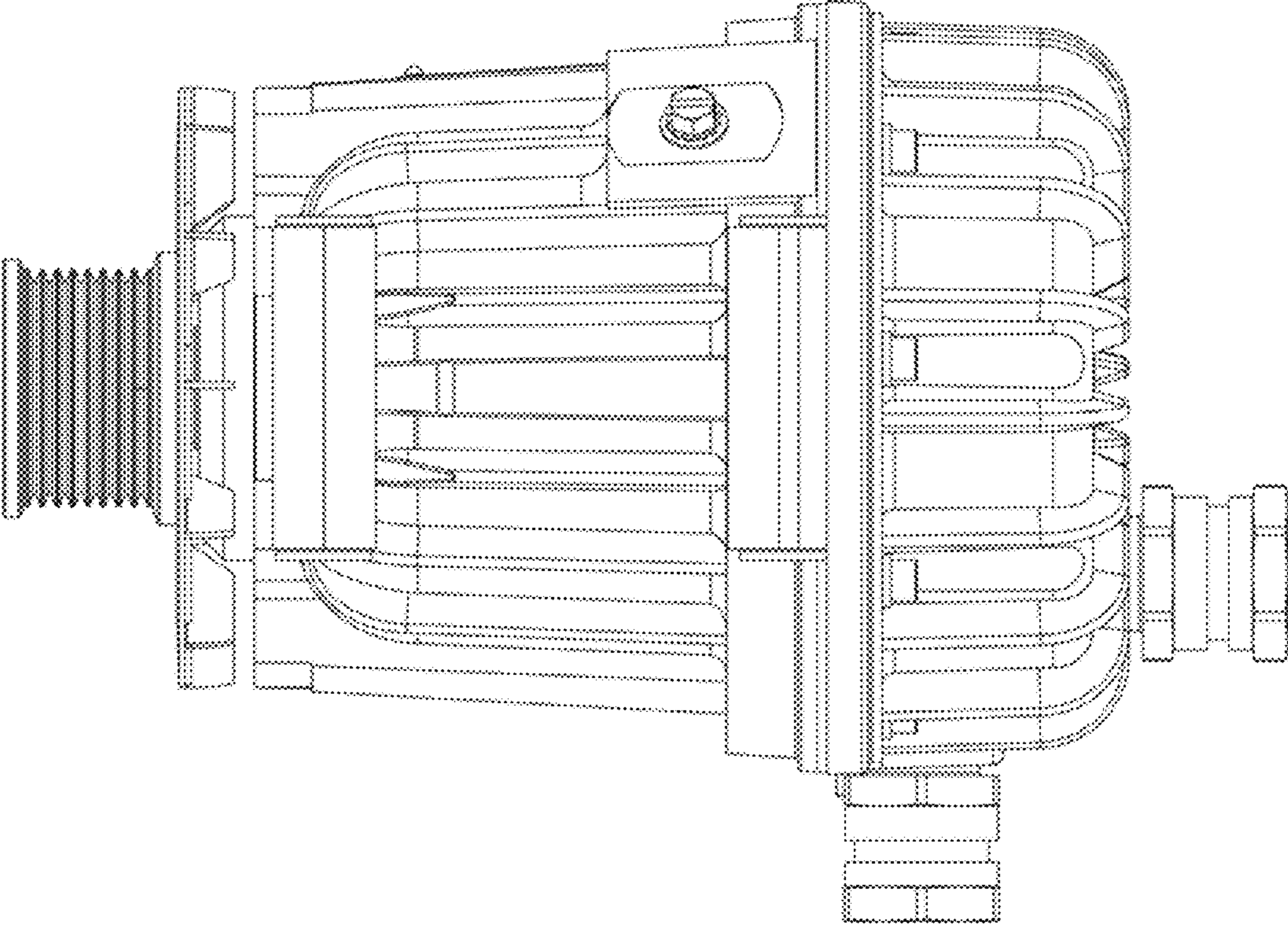


FIG. 3

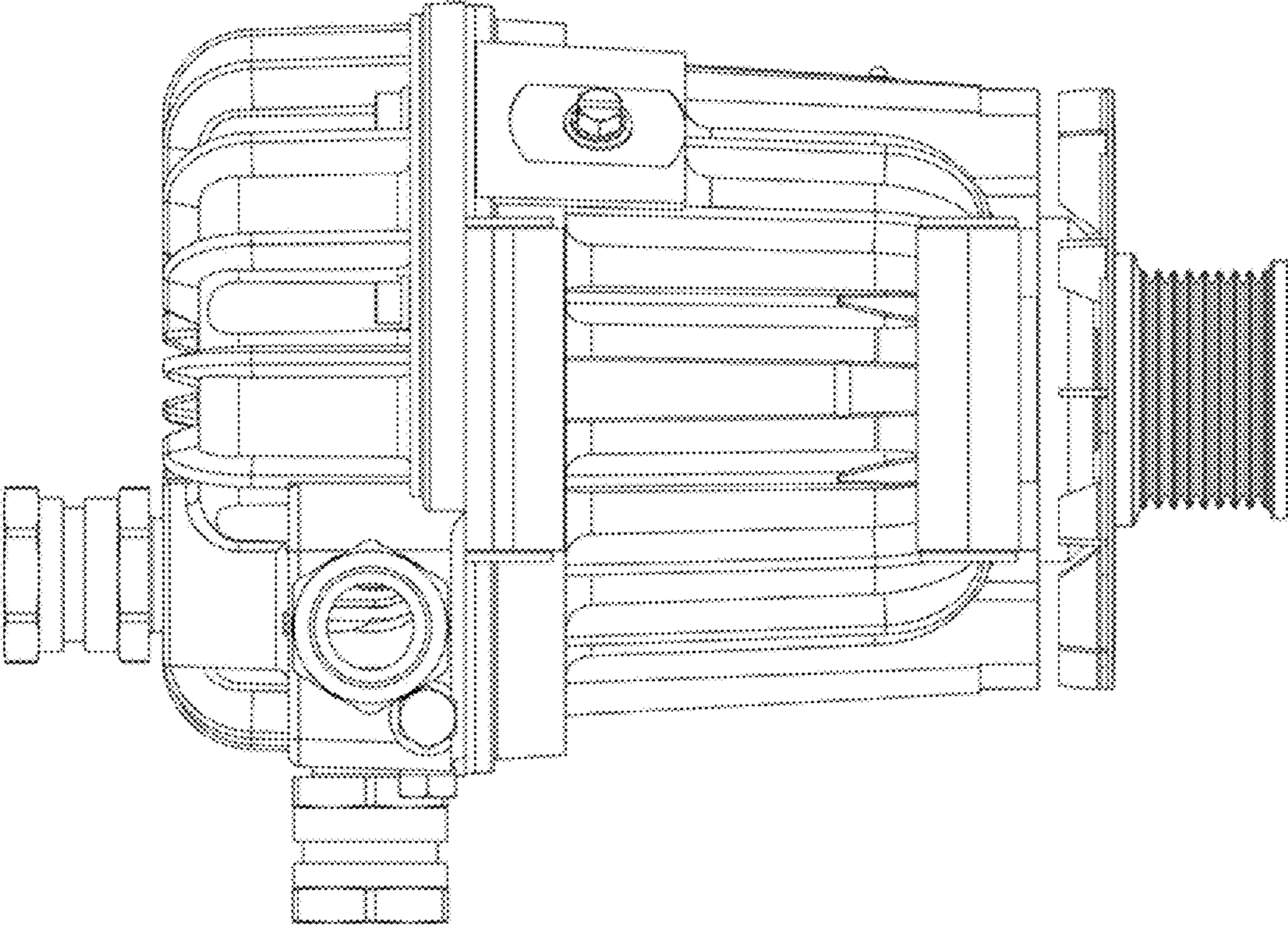


FIG. 4

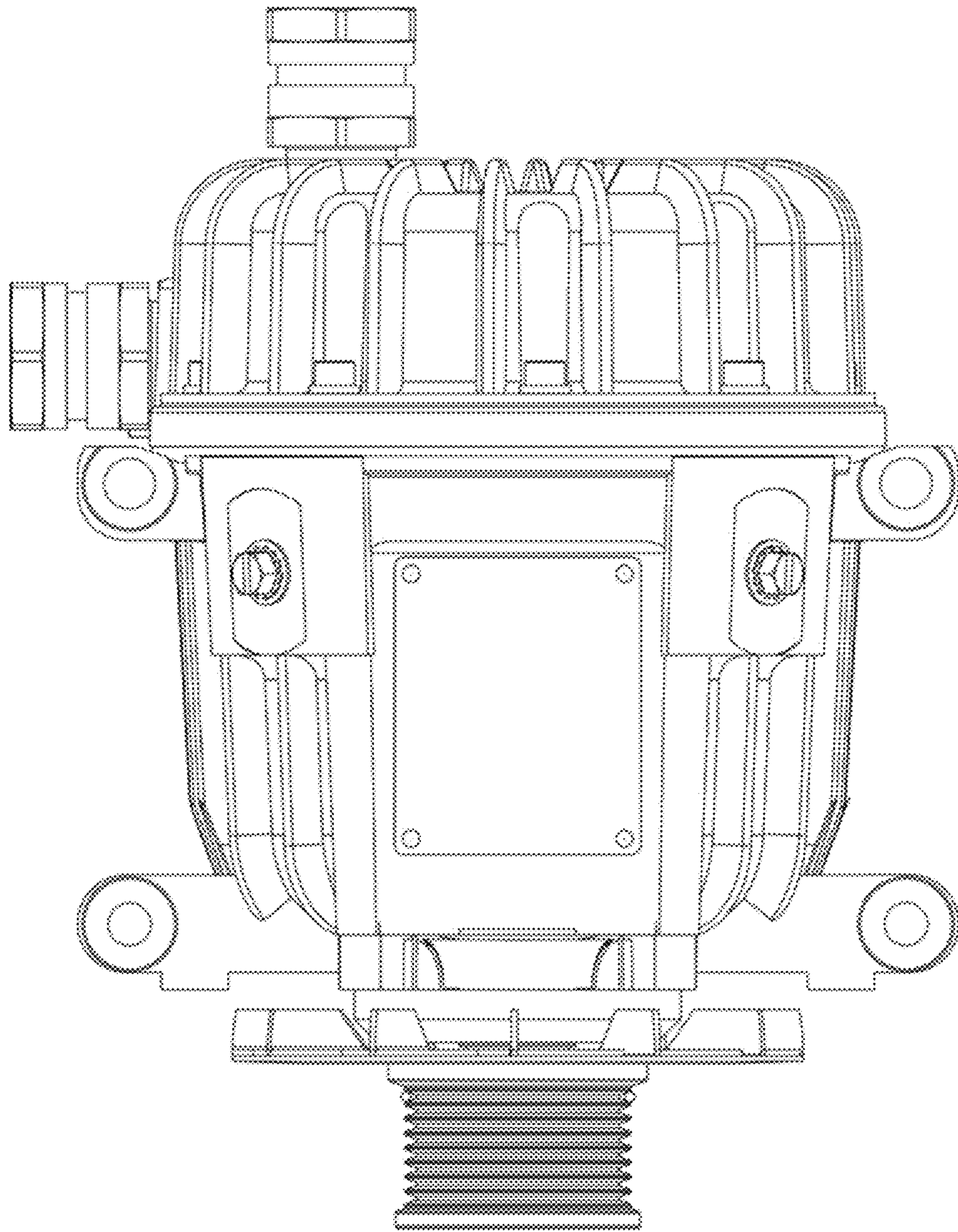


FIG. 5

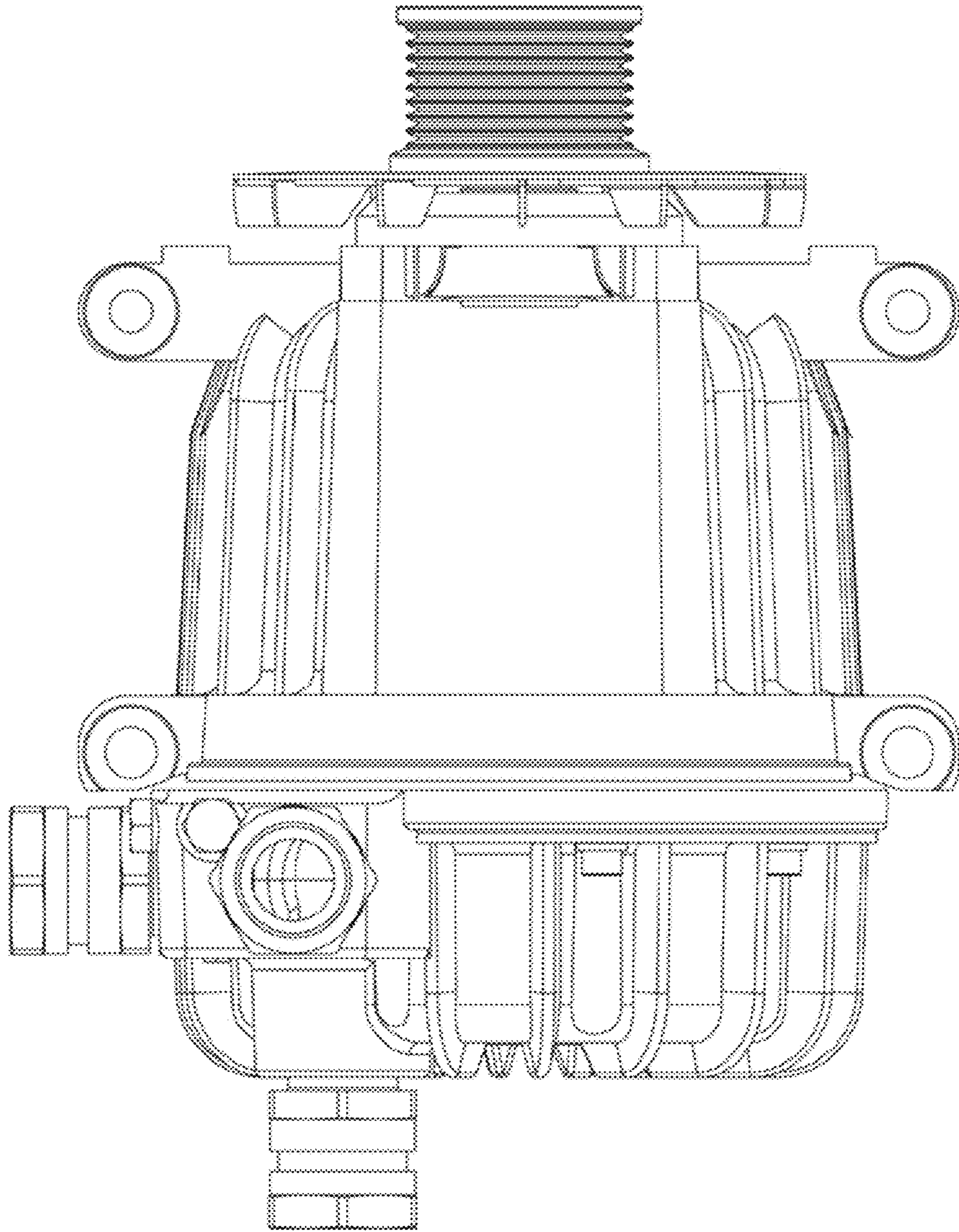


FIG. 6

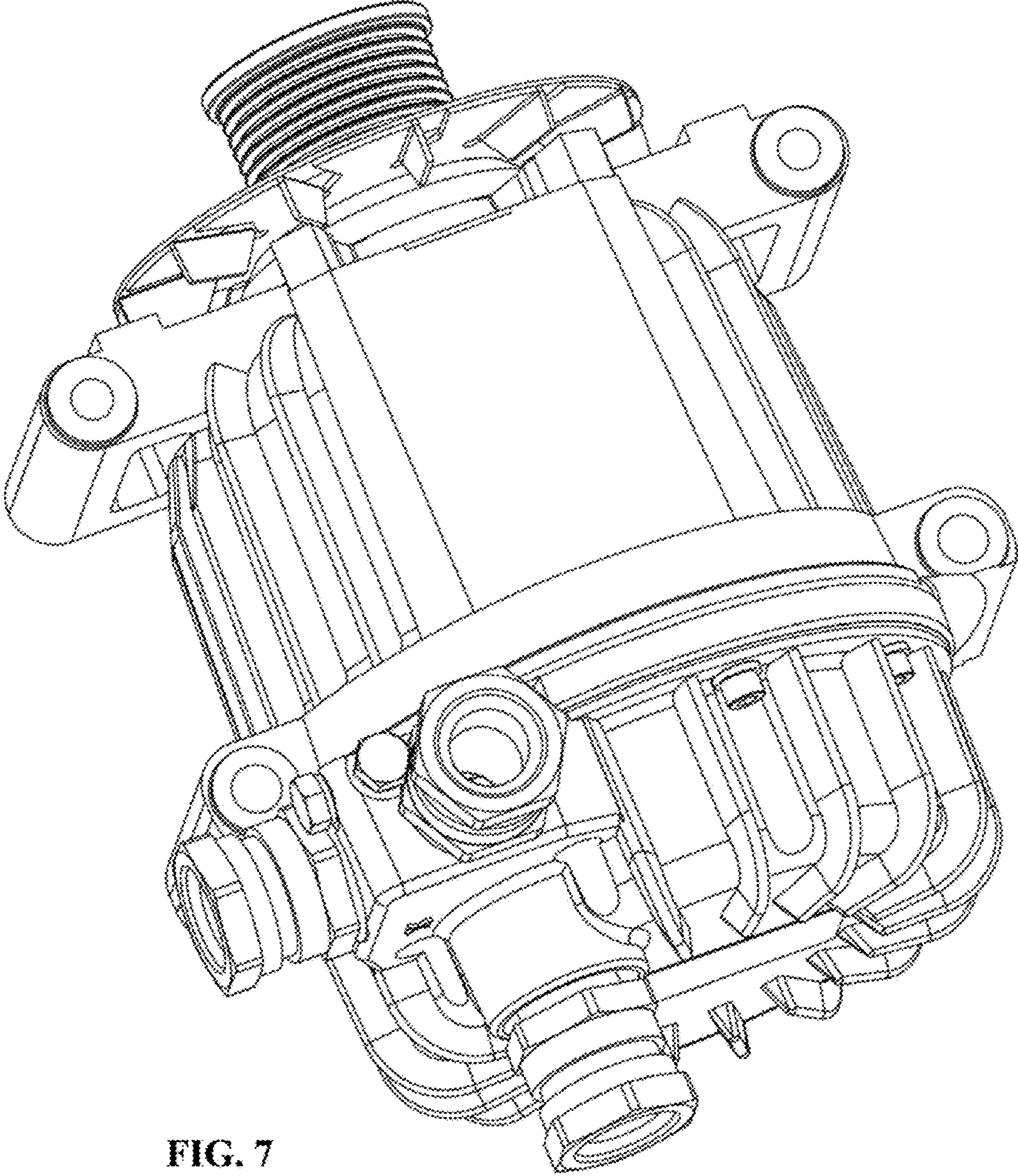


FIG. 7

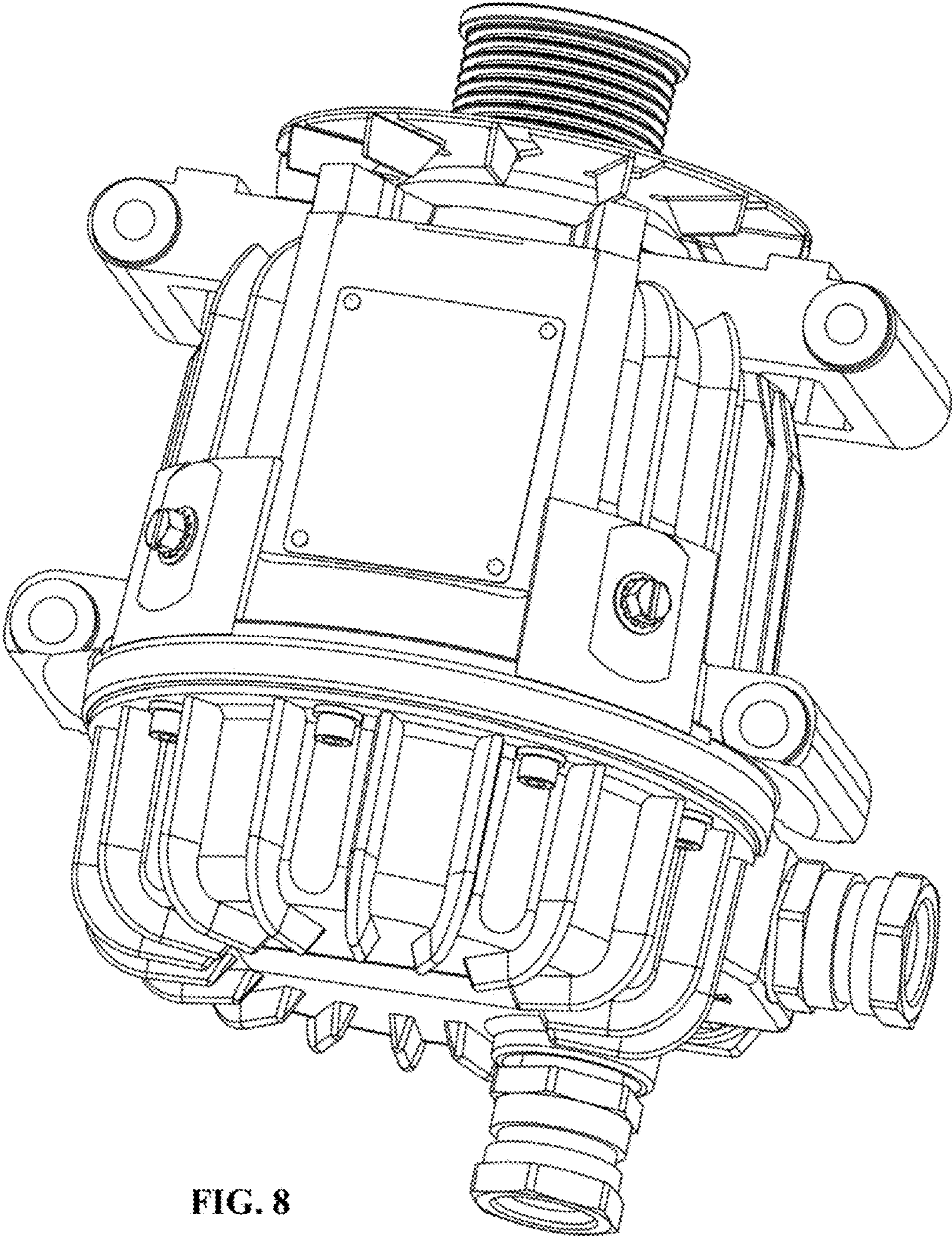


FIG. 8