



US00D680073S

(12) **United States Design Patent**  
**Bekiarov et al.**

(10) **Patent No.:** **US D680,073 S**

(45) **Date of Patent:** **\*\* Apr. 16, 2013**

(54) **ELECTRIC GENERATOR**

(75) Inventors: **Stoyan Borissov Bekiarov**, Chicago, IL (US); **Majid Naghshineh**, Wilmette, IL (US)

(73) Assignee: **C. E. Niehoff & Co.**, Evanston, IL (US)

(\*\*) Term: **14 Years**

(21) Appl. No.: **29/422,235**

(22) Filed: **May 17, 2012**

(51) **LOC (9) Cl.** ..... **13-01**

(52) **U.S. Cl.**  
USPC ..... **D13/114**

(58) **Field of Classification Search** ..... D13/114,  
D13/112, 113, 122, 184, 199; D15/1, 5;  
290/36 R, 38 R, 39; 310/10, 20, 40 R, 40 MM,  
310/42, 68 D, 75 R, 80, 83, 88, 89, 98, 109,  
310/114, 191

See application file for complete search history.

D596,120 S \* 7/2009 Miyaji et al. .... D13/122  
D610,088 S 2/2010 Becker et al.  
D618,170 S 6/2010 Miller  
D618,615 S 6/2010 Basic et al.  
D650,332 S 12/2011 Pourkermani et al.

**OTHER PUBLICATIONS**

C.E. Niehoff & Co. Brushless Alternators Product Catalog, 2001.  
C.E. Niehoff & Co Brushless Alternators, 2009 <http://www.ceniehoff.com>.

\* cited by examiner

*Primary Examiner* — Derrick Holland

(74) *Attorney, Agent, or Firm* — Law Offices of Michael M Ahmadshahi

(57) **CLAIM**

The ornamental design for an electric generator, as shown and described.

**DESCRIPTION**

FIG. 1 is a front view of an electric generator according to the present invention.

FIG. 2 is a rear view thereof.

FIG. 3 is a first side view thereof

FIG. 4 is a second side view thereof.

FIG. 5 is a top view thereof.

FIG. 6 is a bottom view thereof.

FIG. 7 is a first isometric view thereof; and,

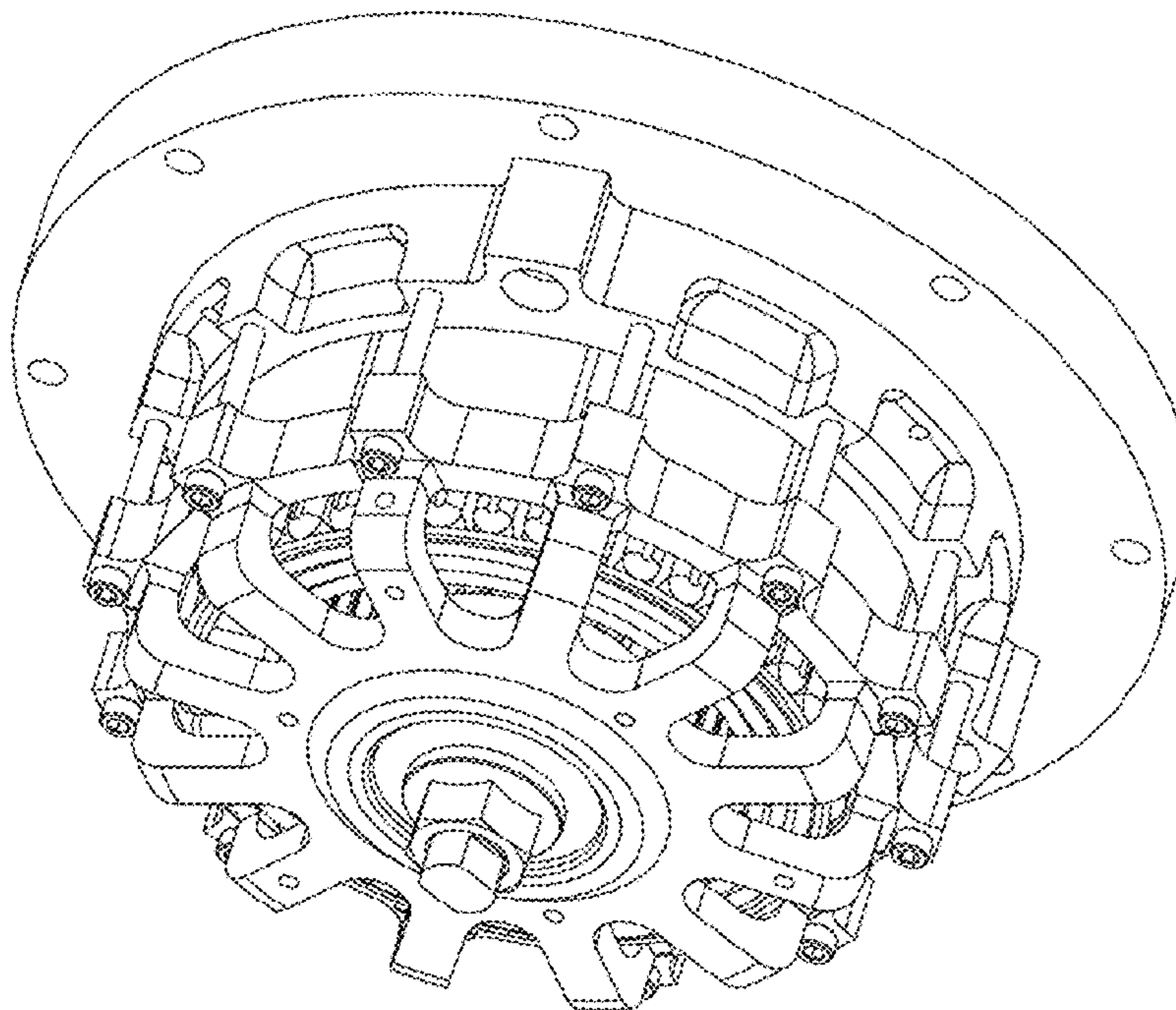
FIG. 8 is a second isometric view thereof.

**1 Claim, 8 Drawing Sheets**

(56) **References Cited**

**U.S. PATENT DOCUMENTS**

4,546,280 A \* 10/1985 Pfluger ..... 310/68 D  
D314,742 S \* 2/1991 Sieber ..... D13/114  
D398,285 S 9/1998 Becker et al.  
D398,286 S 9/1998 Becker et al.  
D425,020 S 5/2000 Becker et al.  
6,943,478 B2 \* 9/2005 Zepp et al. .... 310/191  
D548,696 S 8/2007 Pourkermani et al.  
D563,870 S 3/2008 Naghshineh  
D563,871 S 3/2008 Becker et al.  
D574,325 S 8/2008 Naghshineh  
D587,194 S 2/2009 Pourkermani et al.



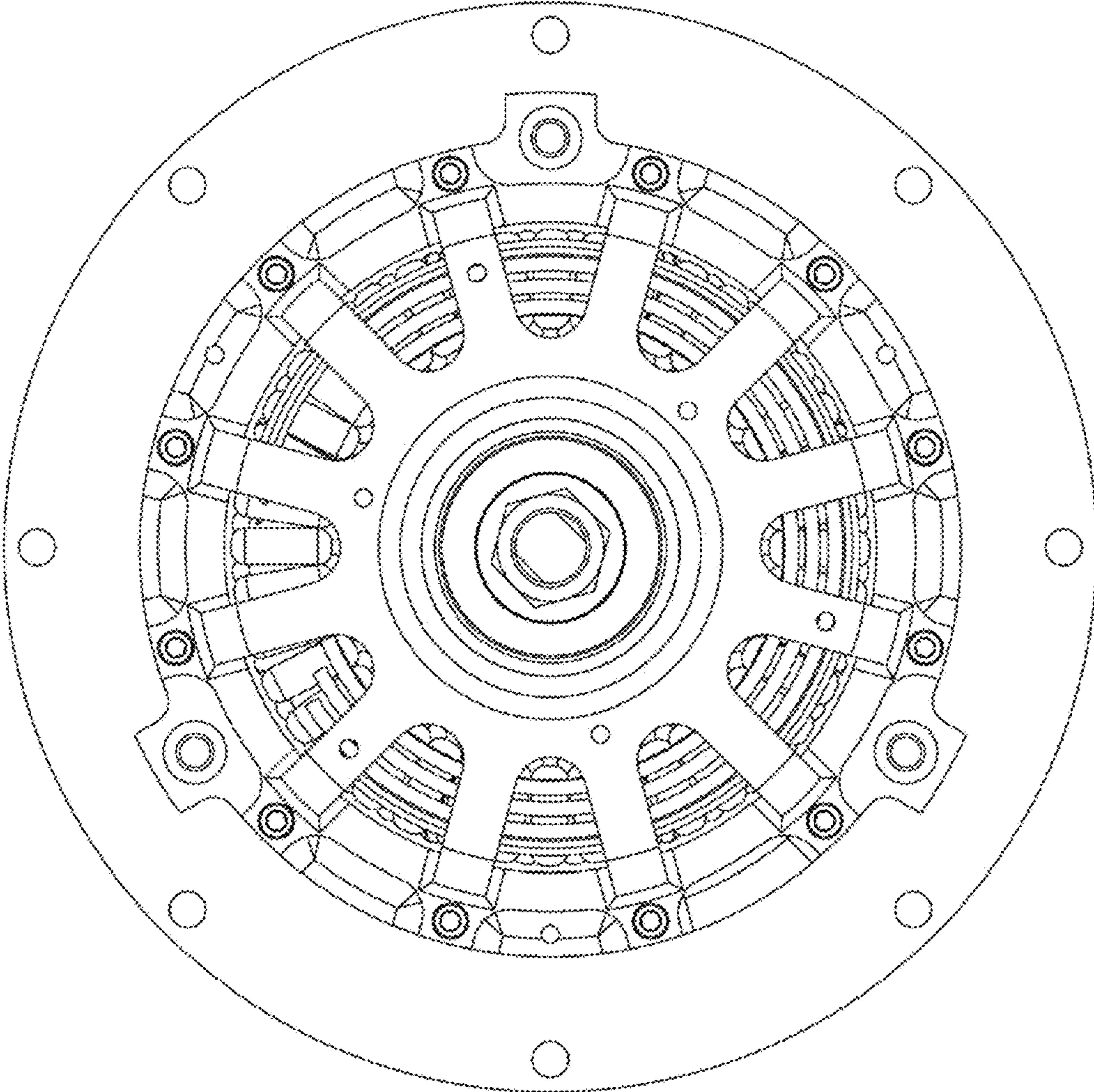


FIG. 1



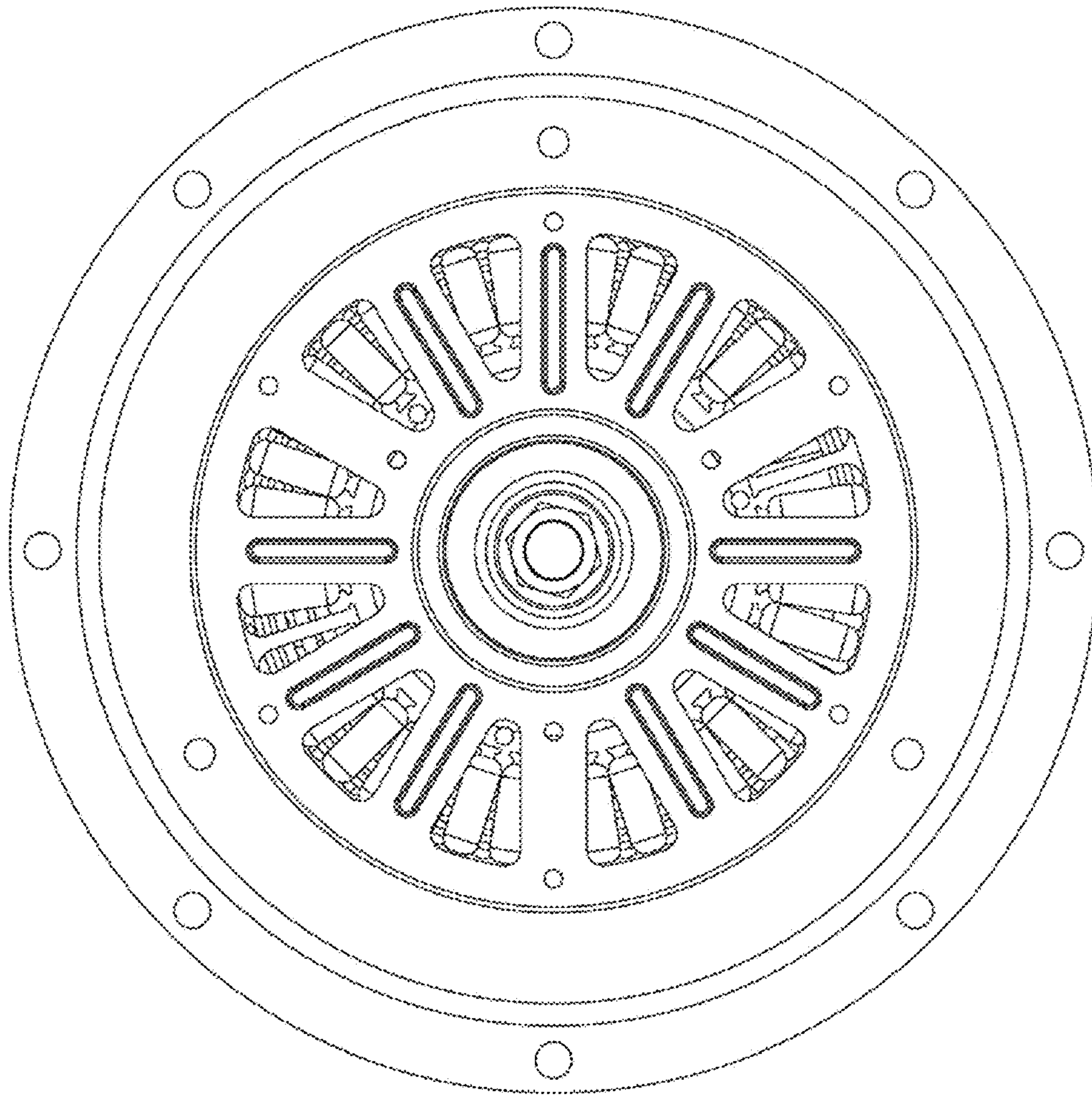


FIG. 2

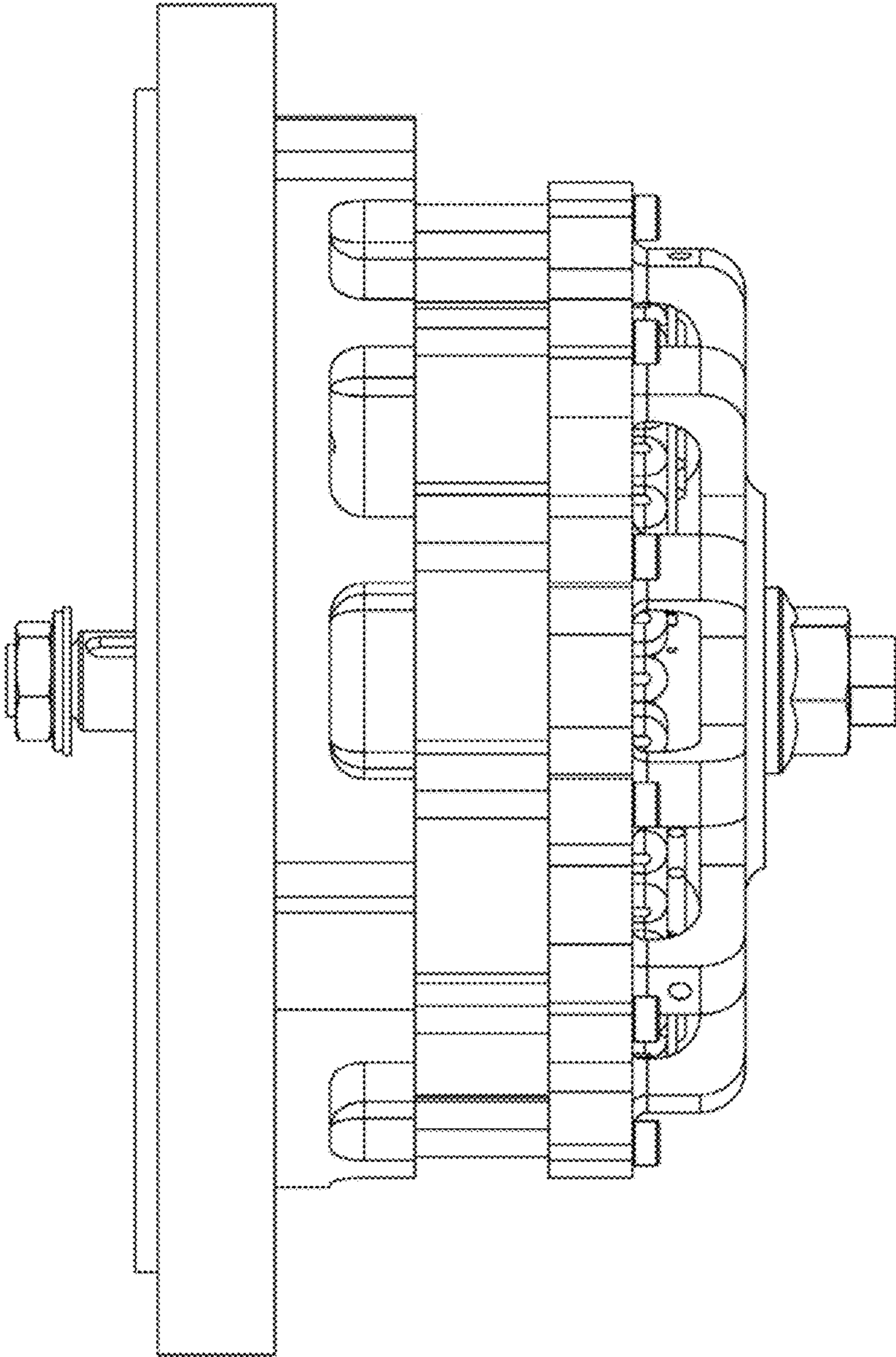


FIG. 3

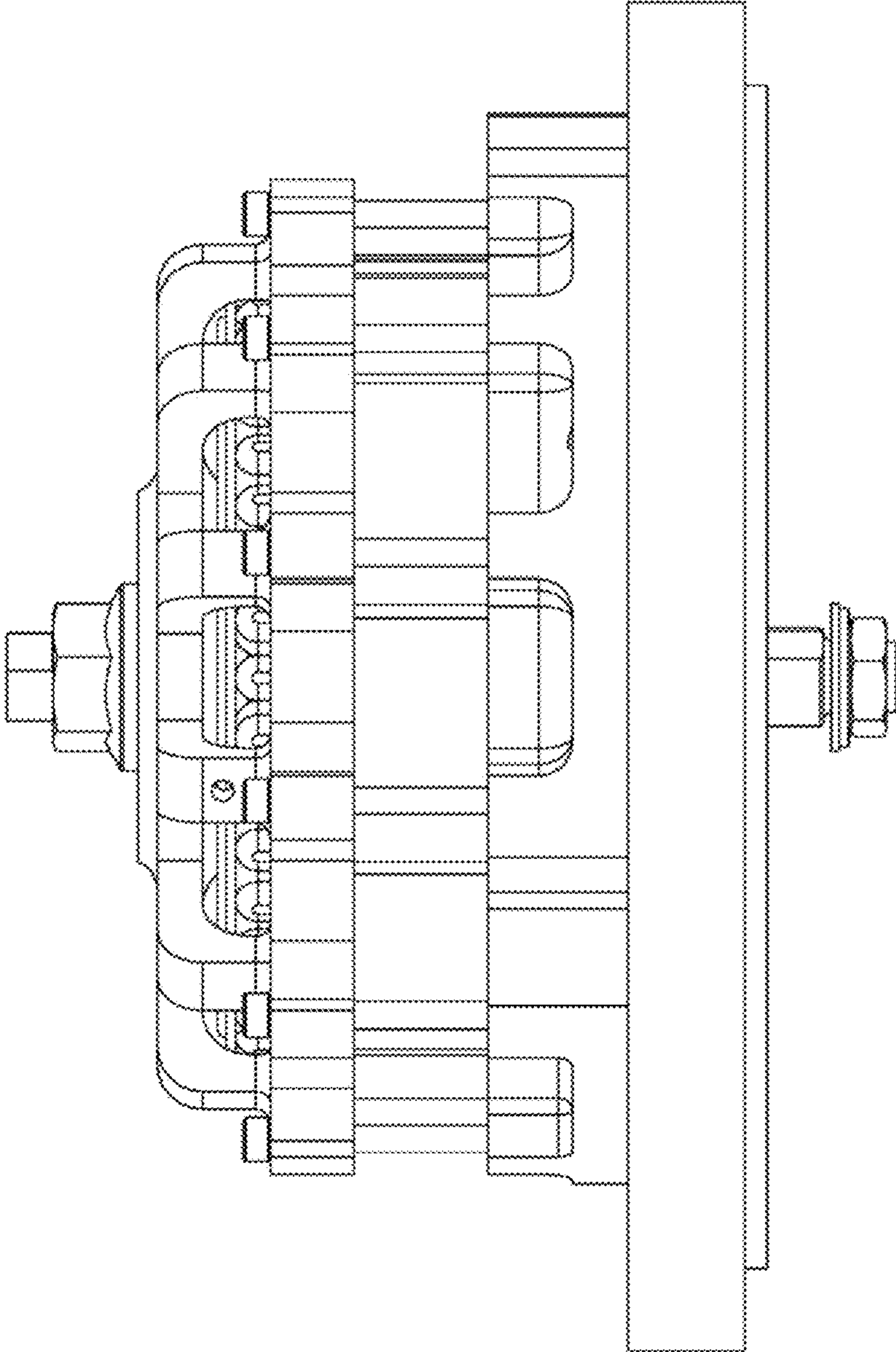


FIG. 4

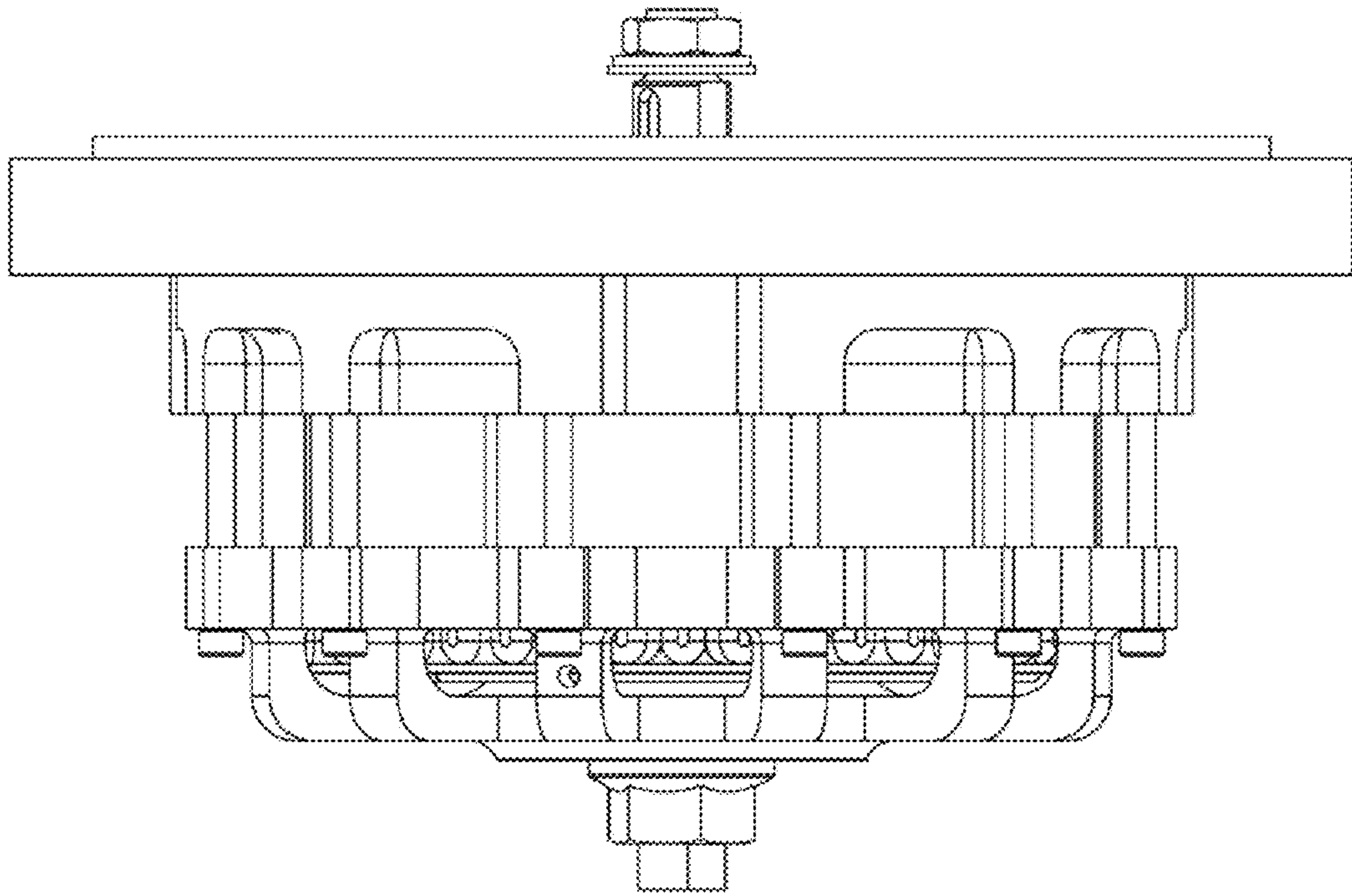


FIG. 5



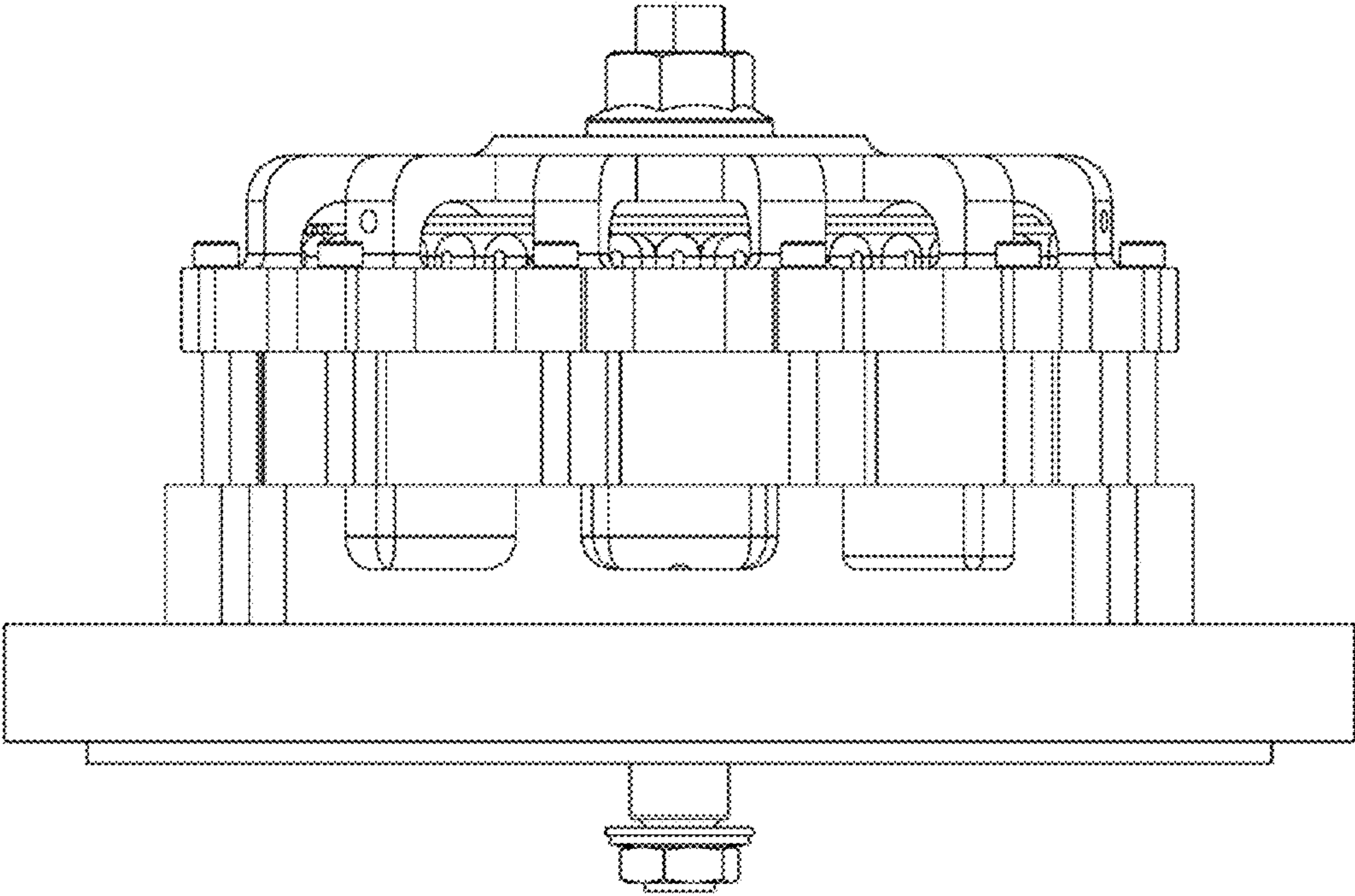


FIG. 6

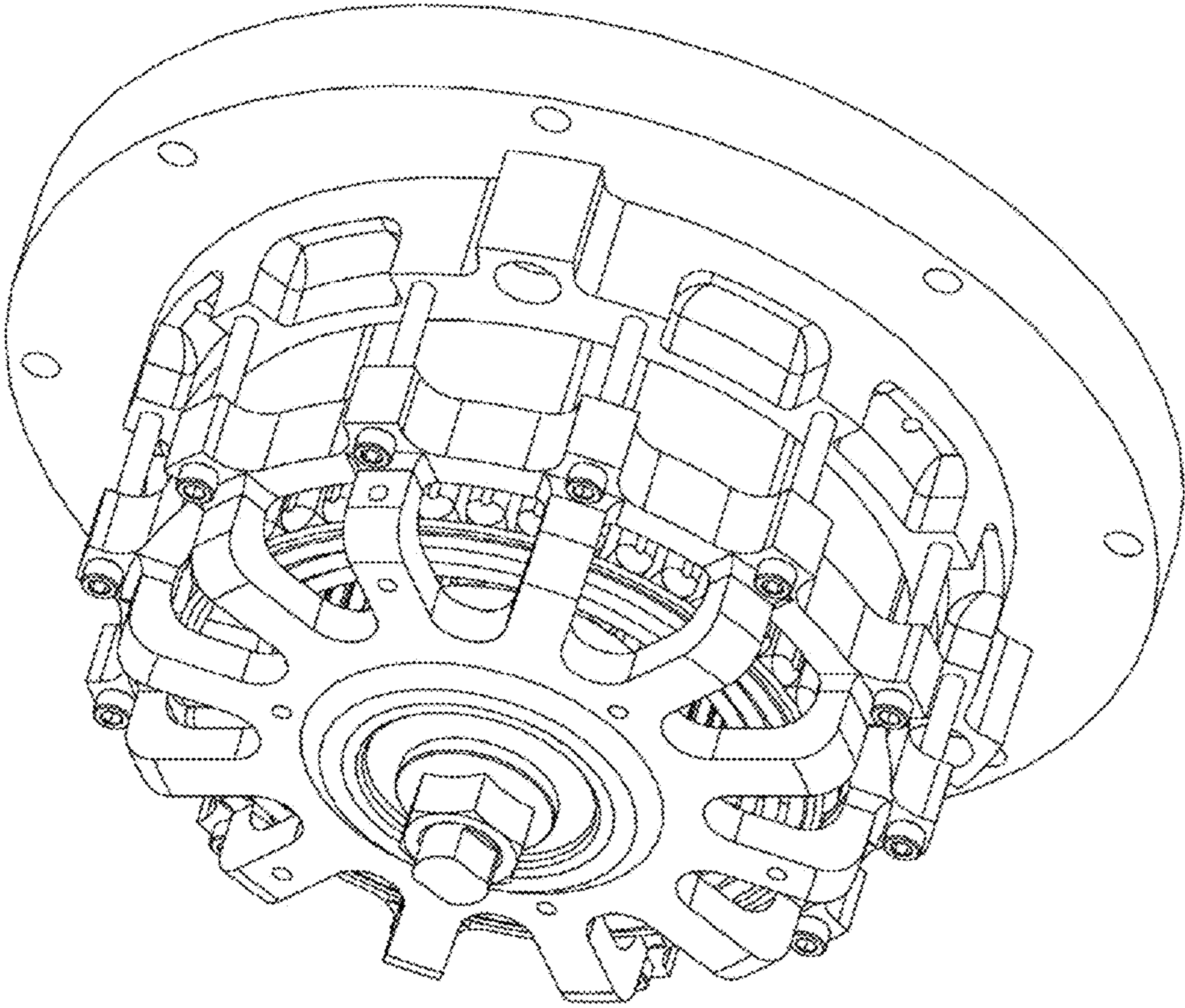


FIG. 7



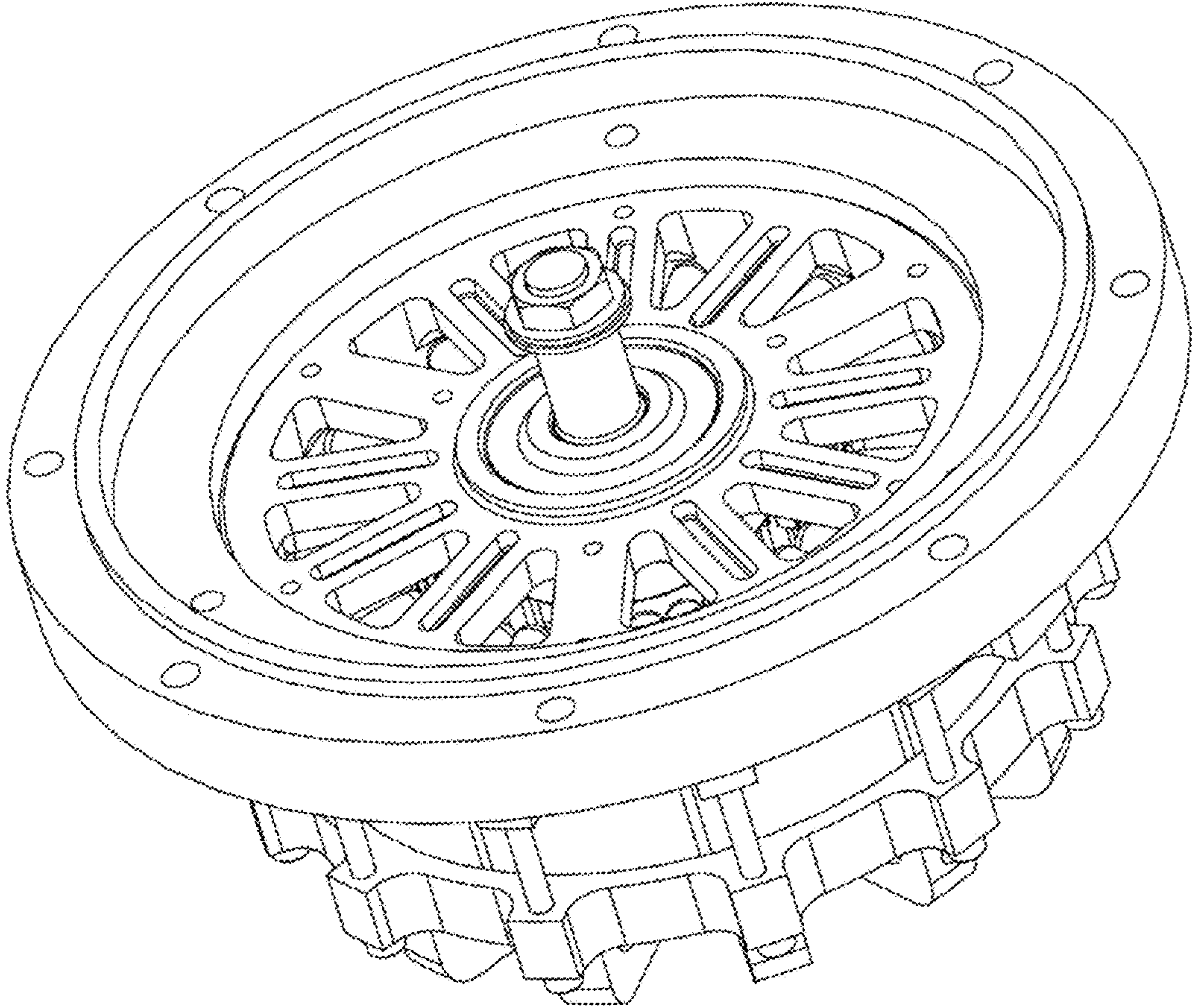


FIG. 8