



US00D680072S

(12) **United States Design Patent**
Marshall

(10) **Patent No.:** **US D680,072 S**
(45) **Date of Patent:** **** Apr. 16, 2013**

- (54) **MOTOR**
- (75) Inventor: **Aaron Marshall**, Richmond (AU)
- (73) Assignee: **Astral Pool Australia Pty Ltd**, Nobel Park (AU)
- (**) Term: **14 Years**
- (21) Appl. No.: **29/429,334**
- (22) Filed: **Aug. 9, 2012**

D593,945 S *	6/2009	Lannoch	D13/122
D609,181 S *	2/2010	Lannoch	D13/112
D622,215 S *	8/2010	Heimbruch et al.	D13/112
D627,295 S *	11/2010	Lannoch	D13/112
D627,723 S *	11/2010	Kuraishi et al.	D13/112

* cited by examiner

Primary Examiner — Derrick Holland
(74) *Attorney, Agent, or Firm* — Oblon, Spivak, McClelland, Maier & Neustadt, L.L.P.

Related U.S. Application Data

- (63) Continuation of application No. 29/419,762, filed on May 1, 2012.

Foreign Application Priority Data

- Nov. 1, 2011 (AU) 14911/2011
- Nov. 1, 2011 (AU) 14912/2011
- (51) **LOC (9) Cl.** **13-01**
- (52) **U.S. Cl.**
USPC **D13/112**
- (58) **Field of Classification Search** D13/112,
D13/113, 114, 122, 199; D15/3, 5, 199;
74/606 R, 609; 310/10, 40 R, 42, 51, 58,
310/71, 85, 89, 91, 109, 236, 239, 254; 318/245,
318/255; 29/596
See application file for complete search history.

References Cited

U.S. PATENT DOCUMENTS

D236,985 S *	9/1975	Baumann	D13/114
4,244,098 A *	1/1981	Barcus	29/596
D576,941 S *	9/2008	Evon et al.	D13/112

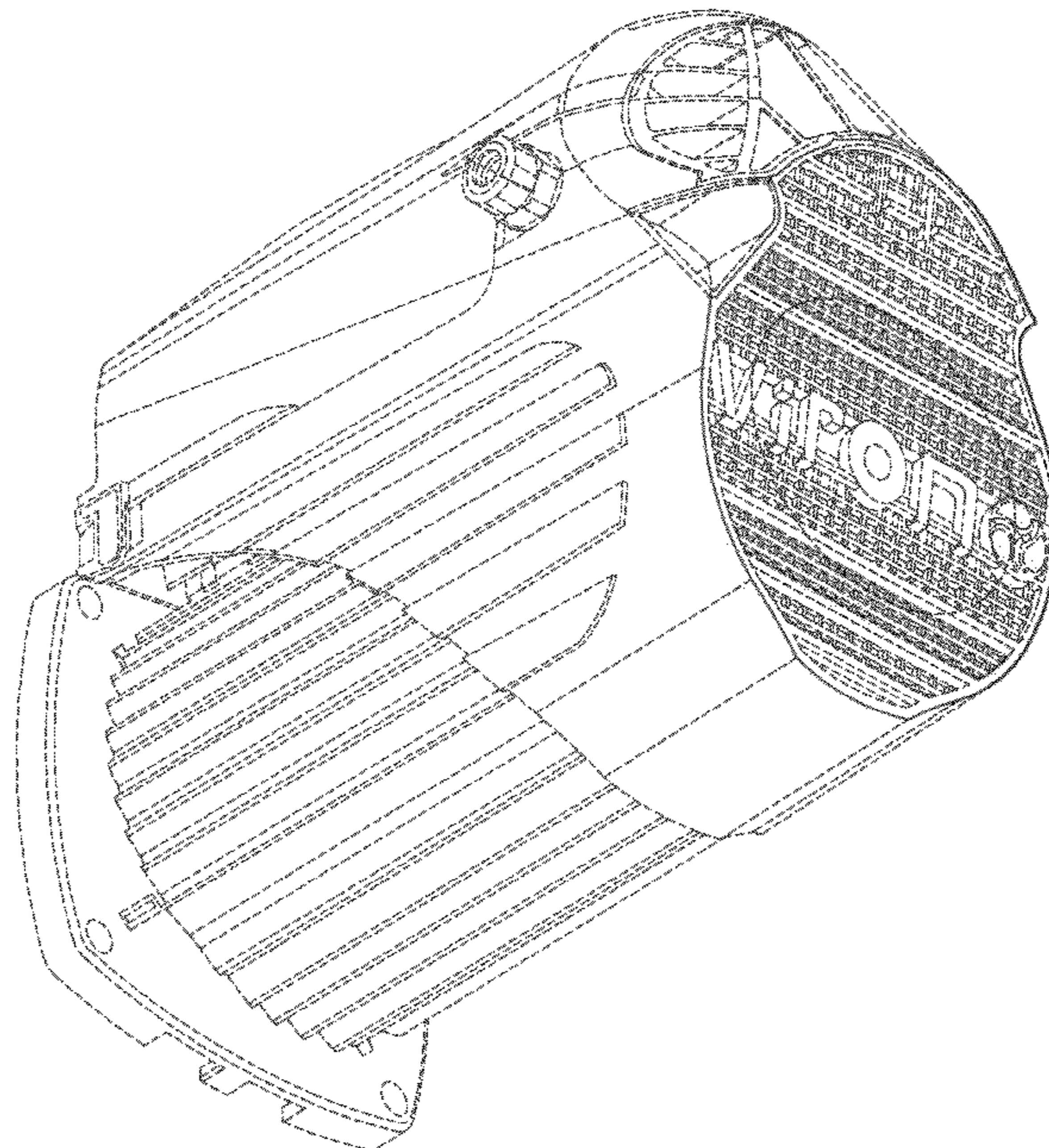
(57) **CLAIM**
The ornamental design for a motor, as shown and described.

DESCRIPTION

FIG. 1 is a front elevational view of a motor;
FIG. 2 is a rear elevational view thereof;
FIG. 3 is a top plan view thereof;
FIG. 4 is a bottom plan view thereof;
FIG. 5 is a right side elevational view thereof;
FIG. 6 is a left side elevational view thereof;
FIG. 7 is a rear, top, and right side perspective view thereof;
FIG. 8 is a rear, bottom, and right side perspective view thereof;
FIG. 9 is a front, top, and right side perspective view thereof;
and,
FIG. 10 is a front, bottom, and right side perspective view thereof.

The broken lines shown represent unclaimed subject matter only and form no part of the claim. Where broken lines abut a claimed surface it is understood that those broken lines represent an unclaimed boundary between claimed and unclaimed surfaces. None of the broken lines form any part of the claimed design.

1 Claim, 10 Drawing Sheets



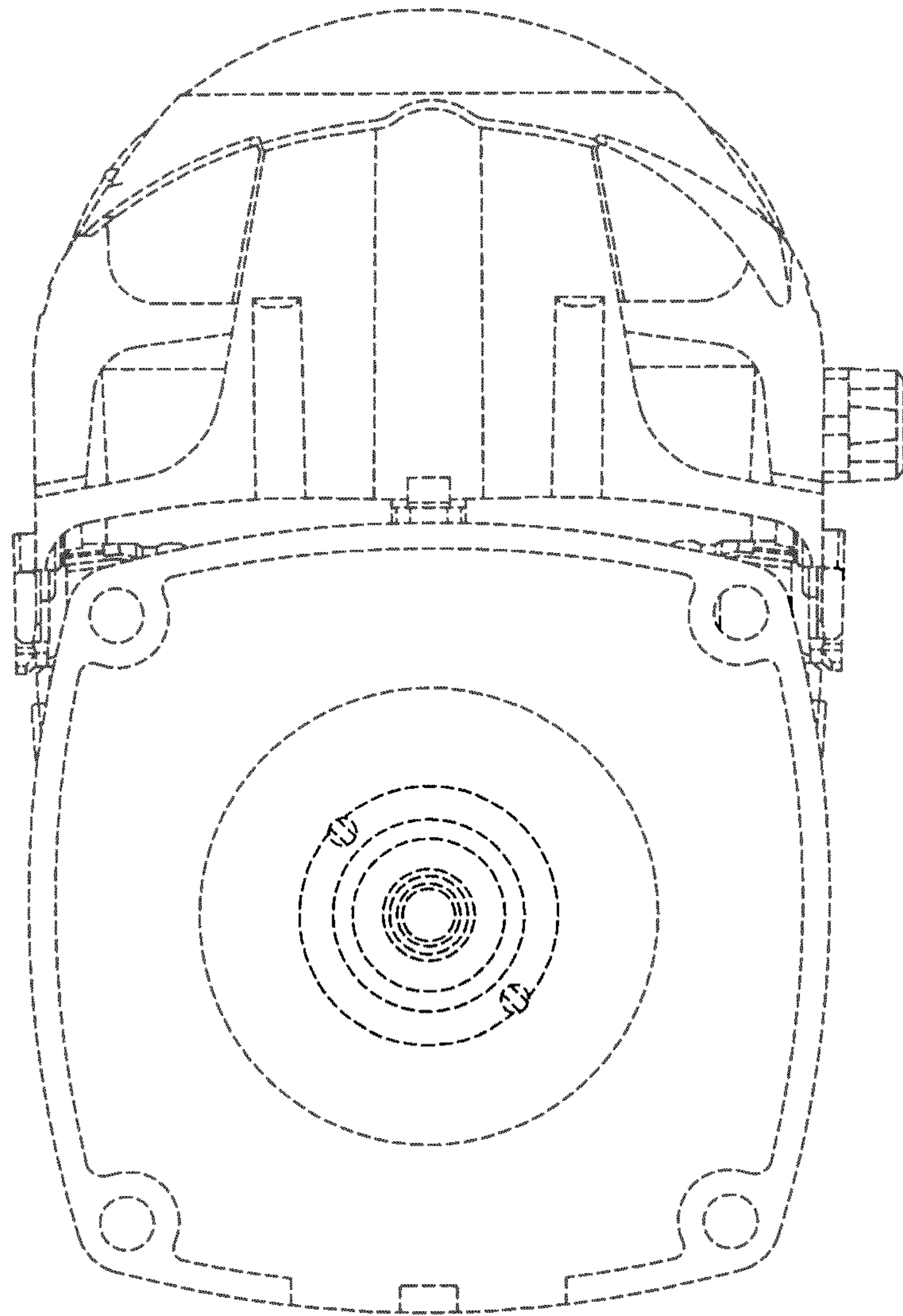


Fig. 1

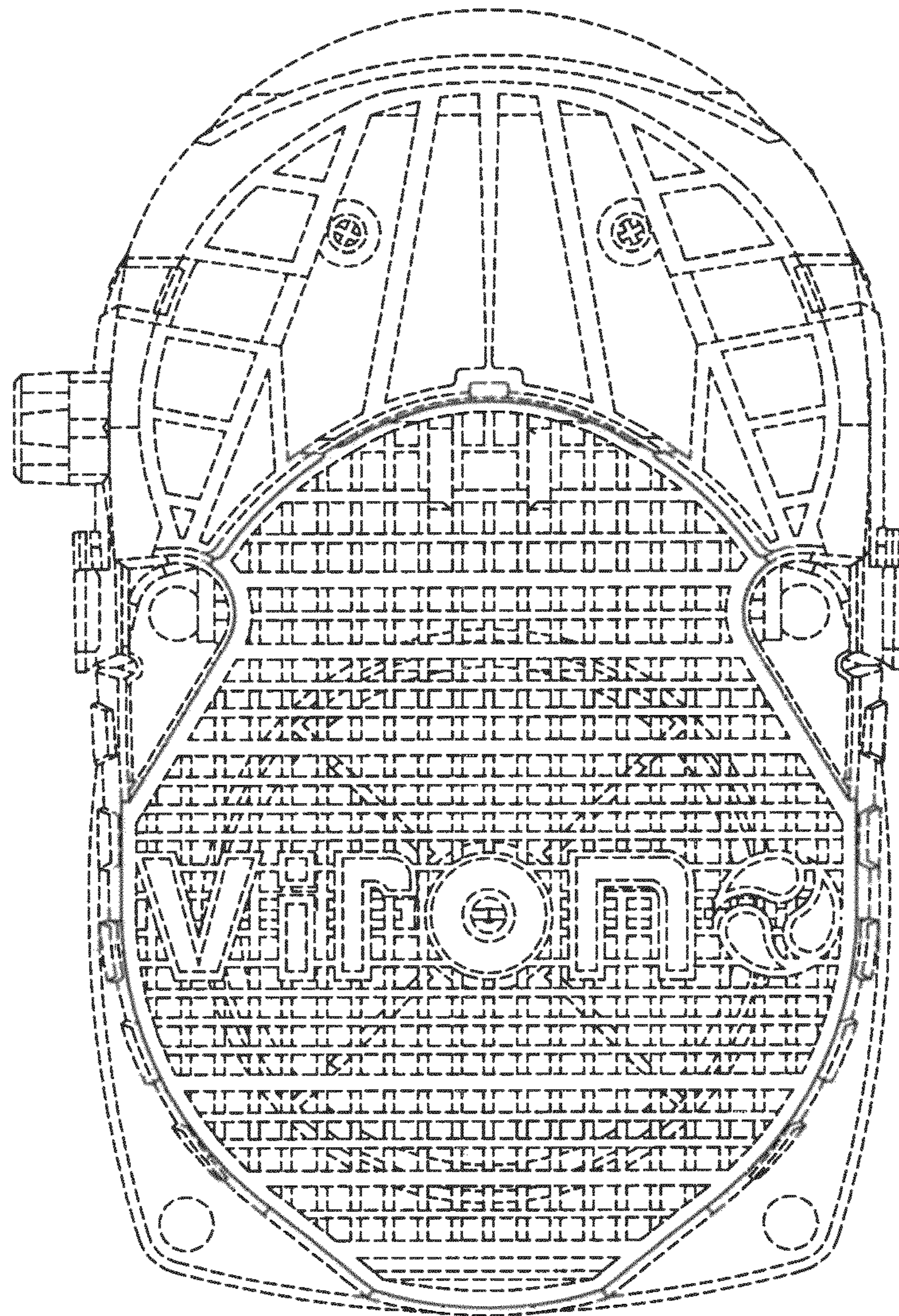


Fig. 2

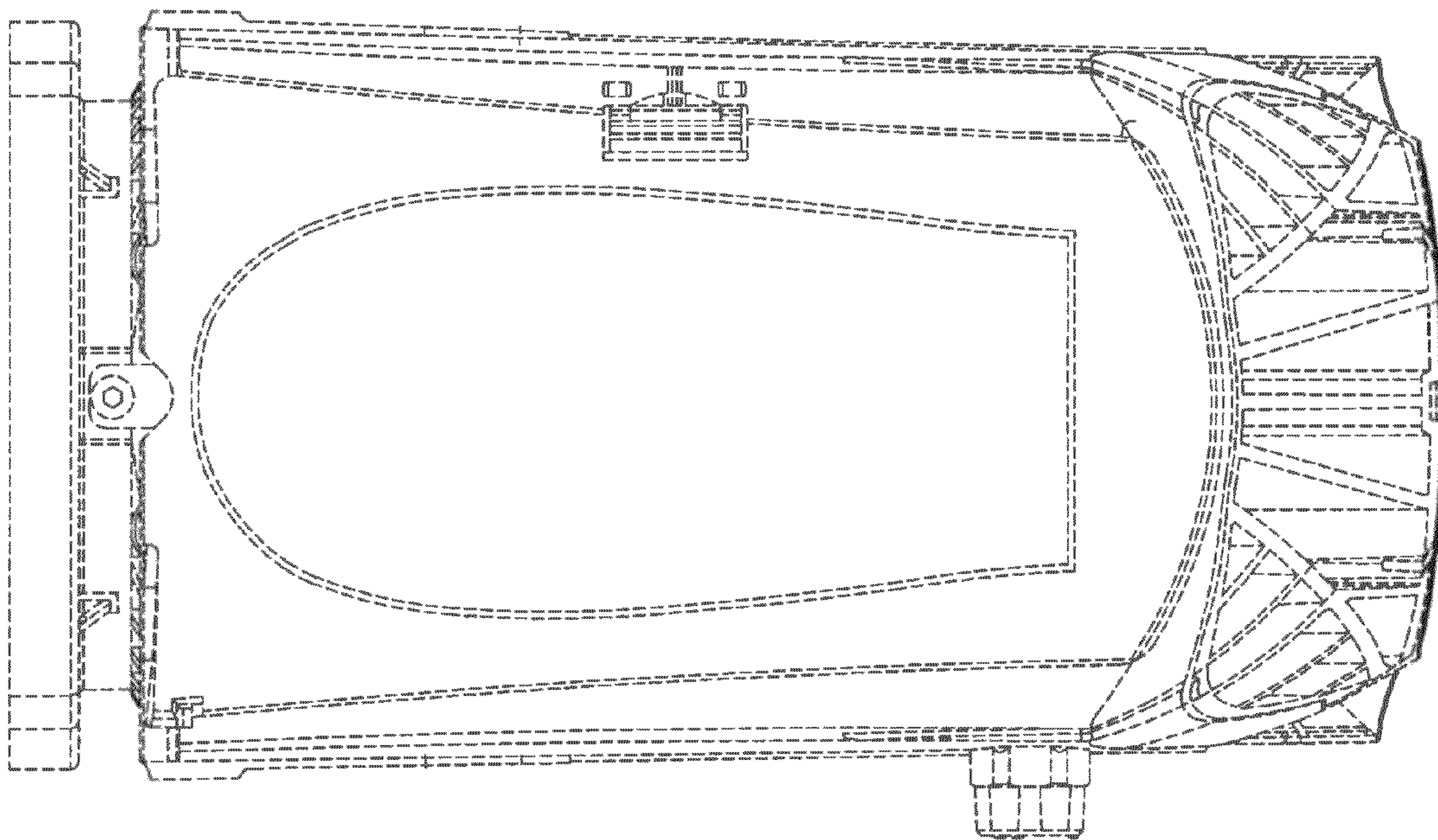


Fig. 3

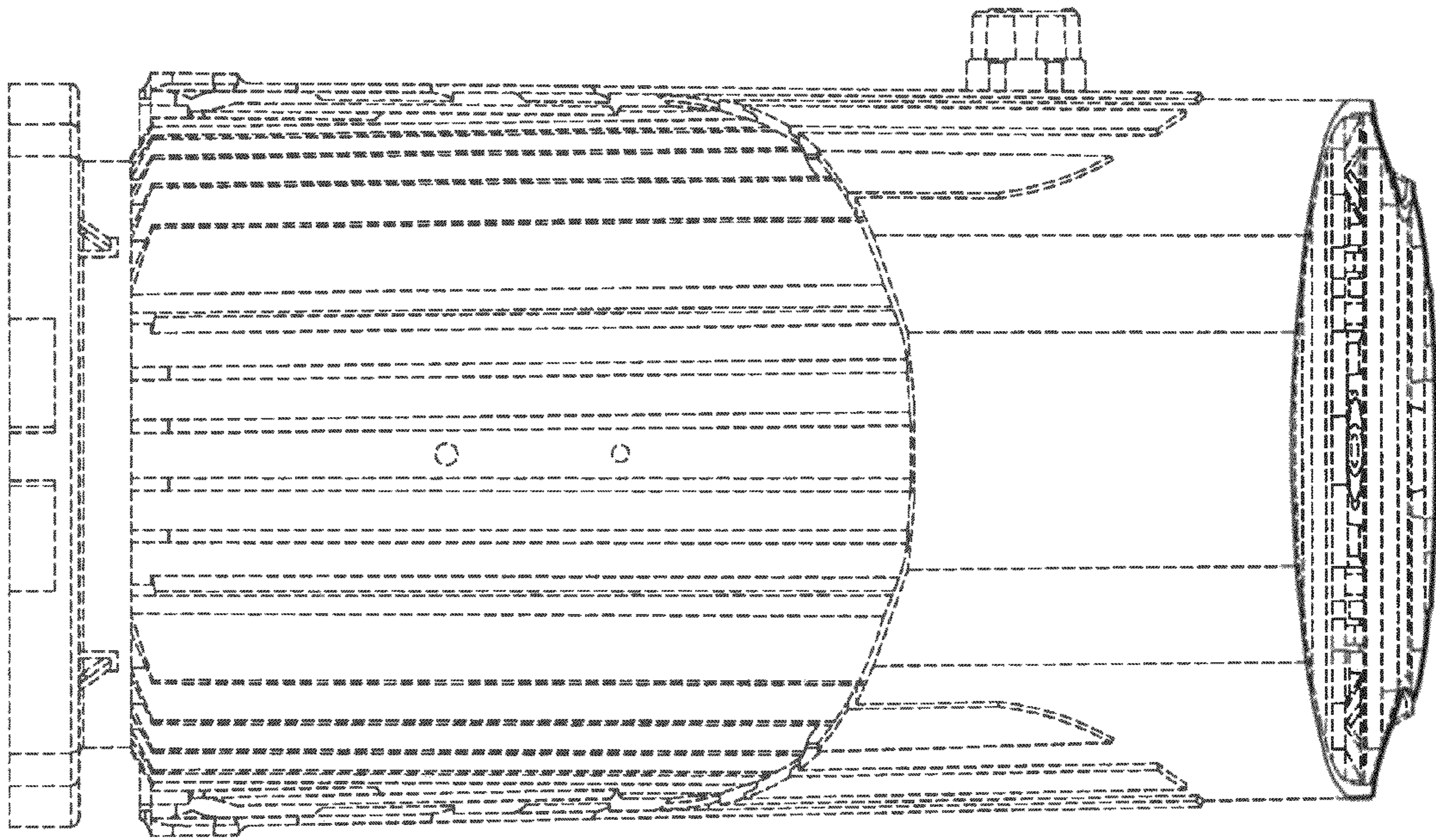


Fig. 4

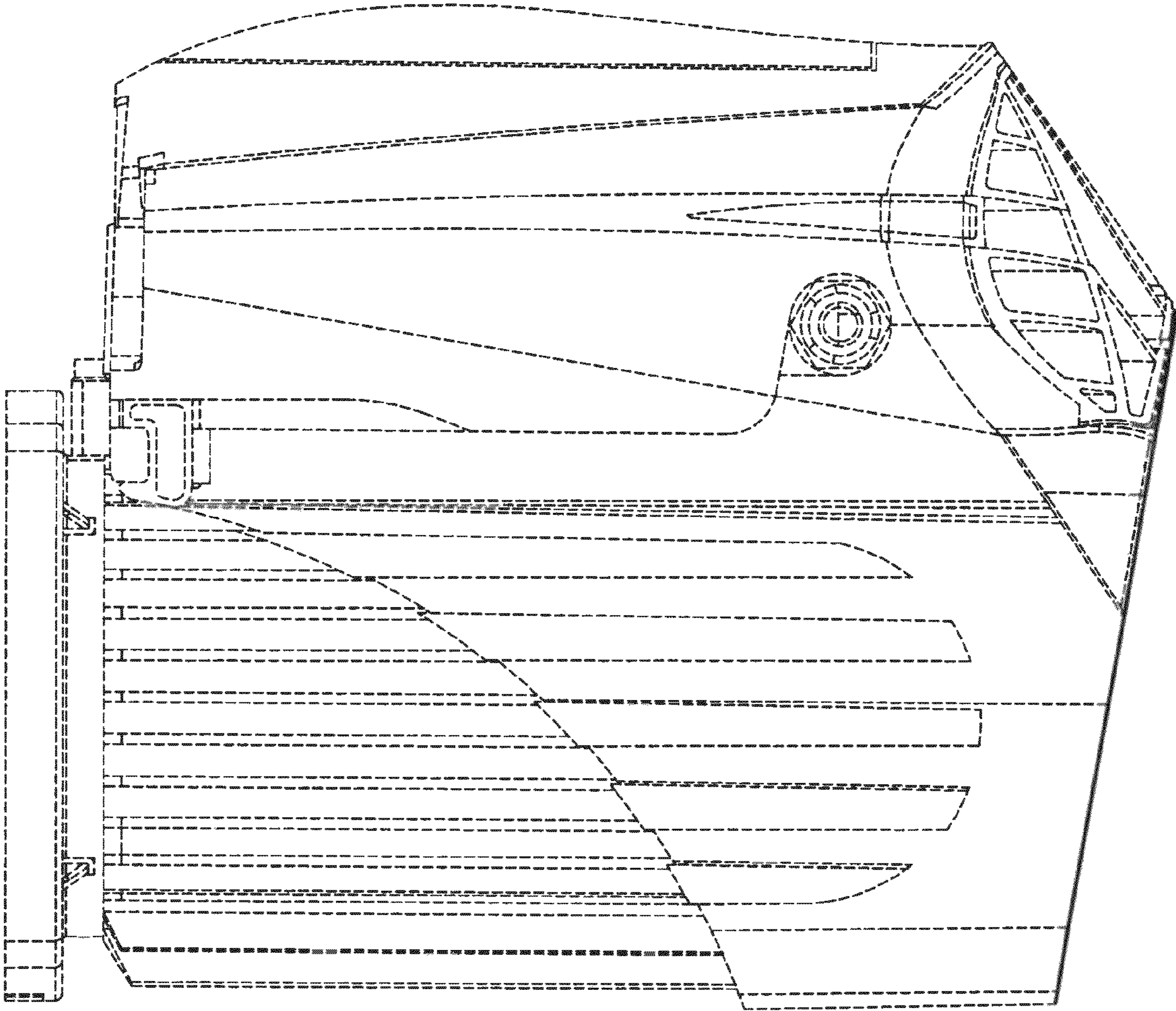


Fig. 5

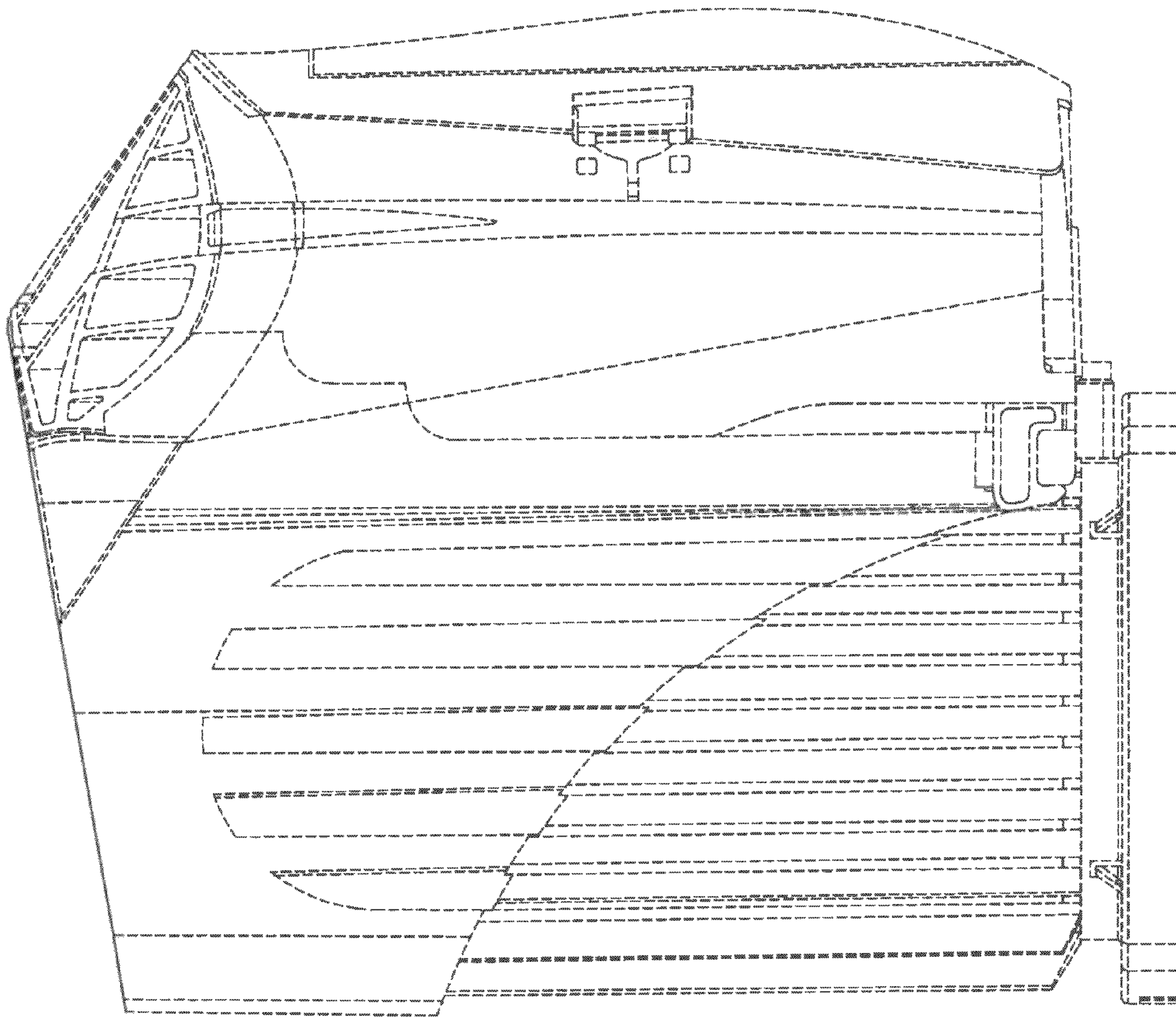


Fig. 6

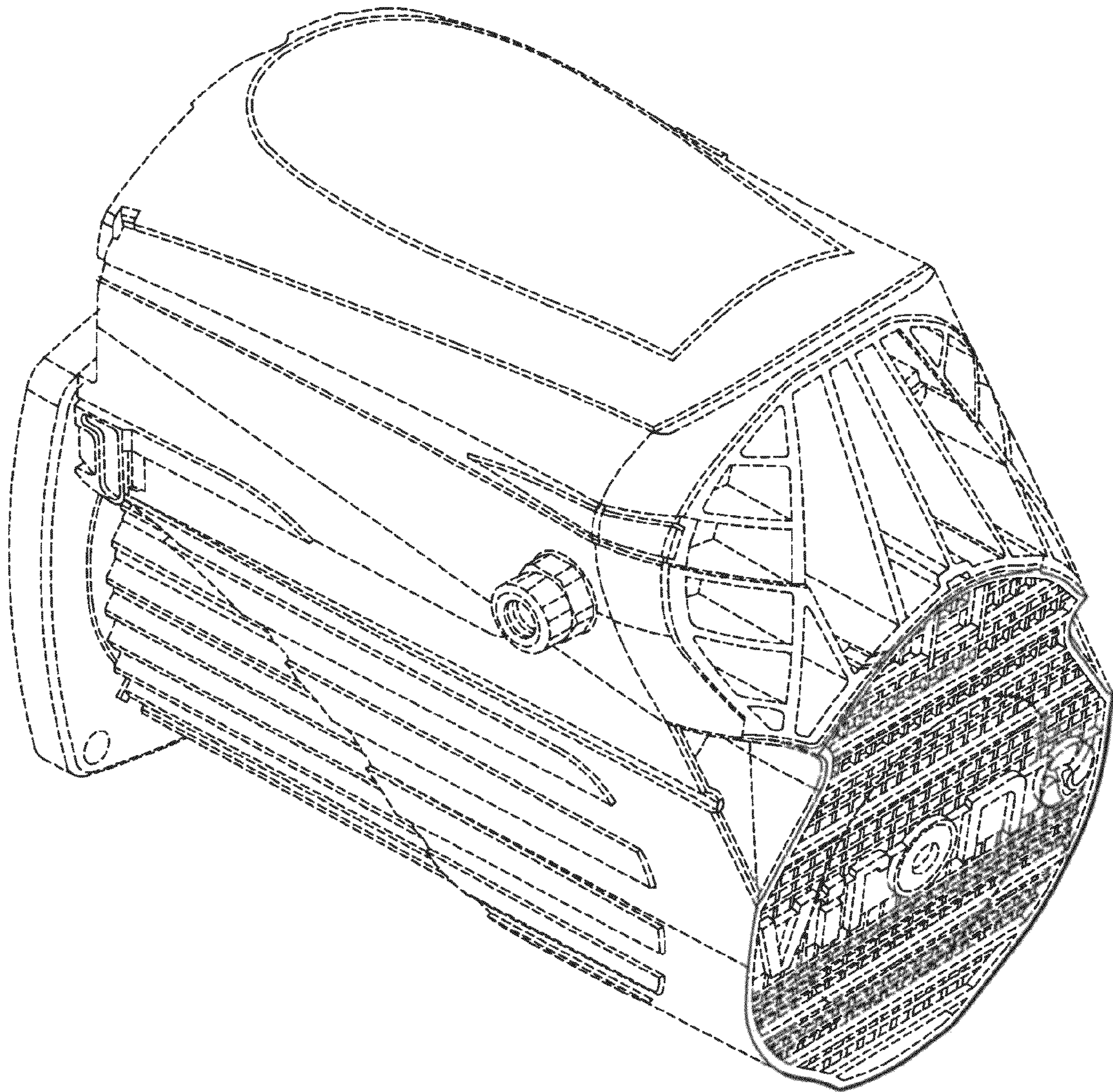


Fig. 7

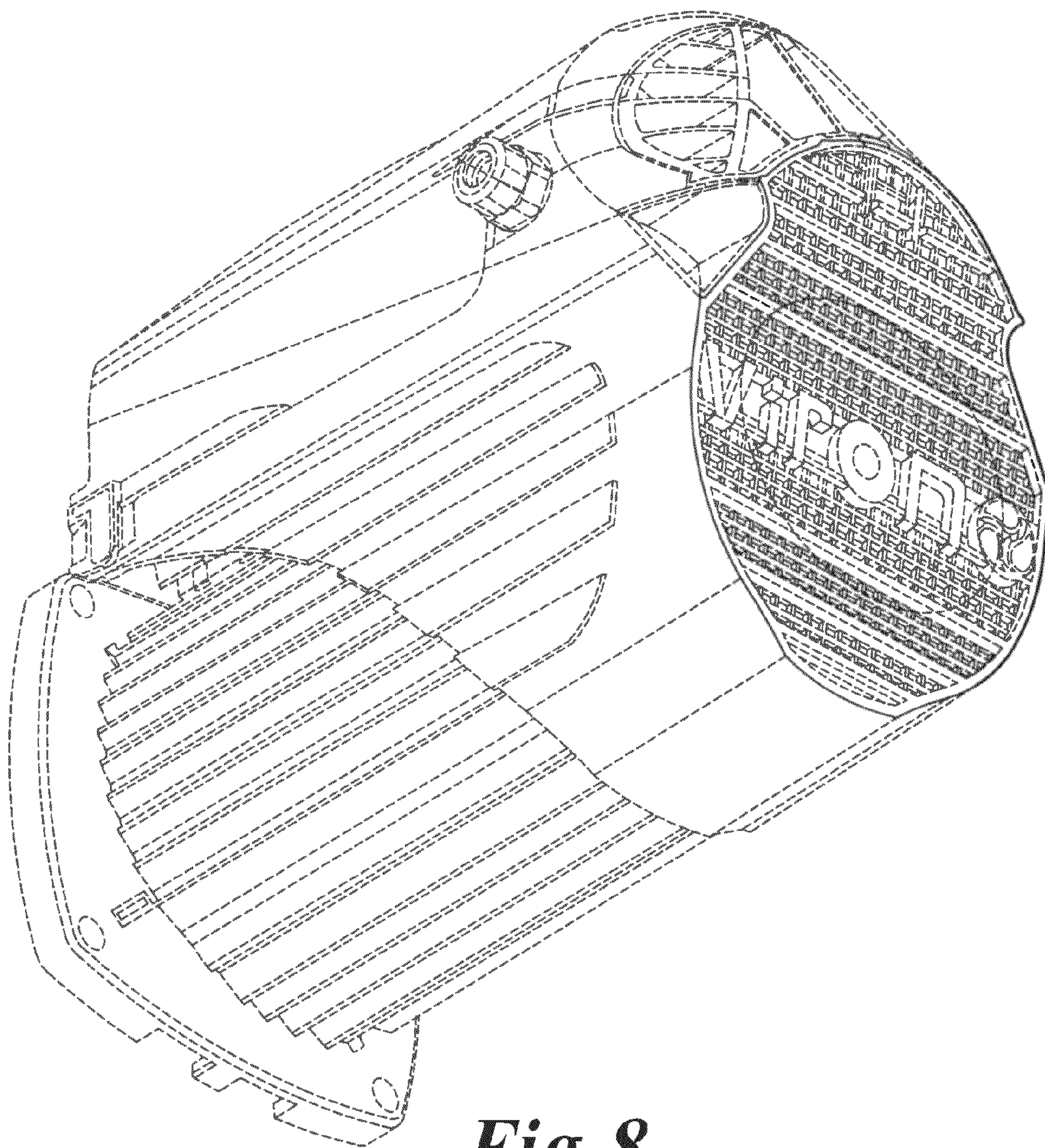


Fig. 8

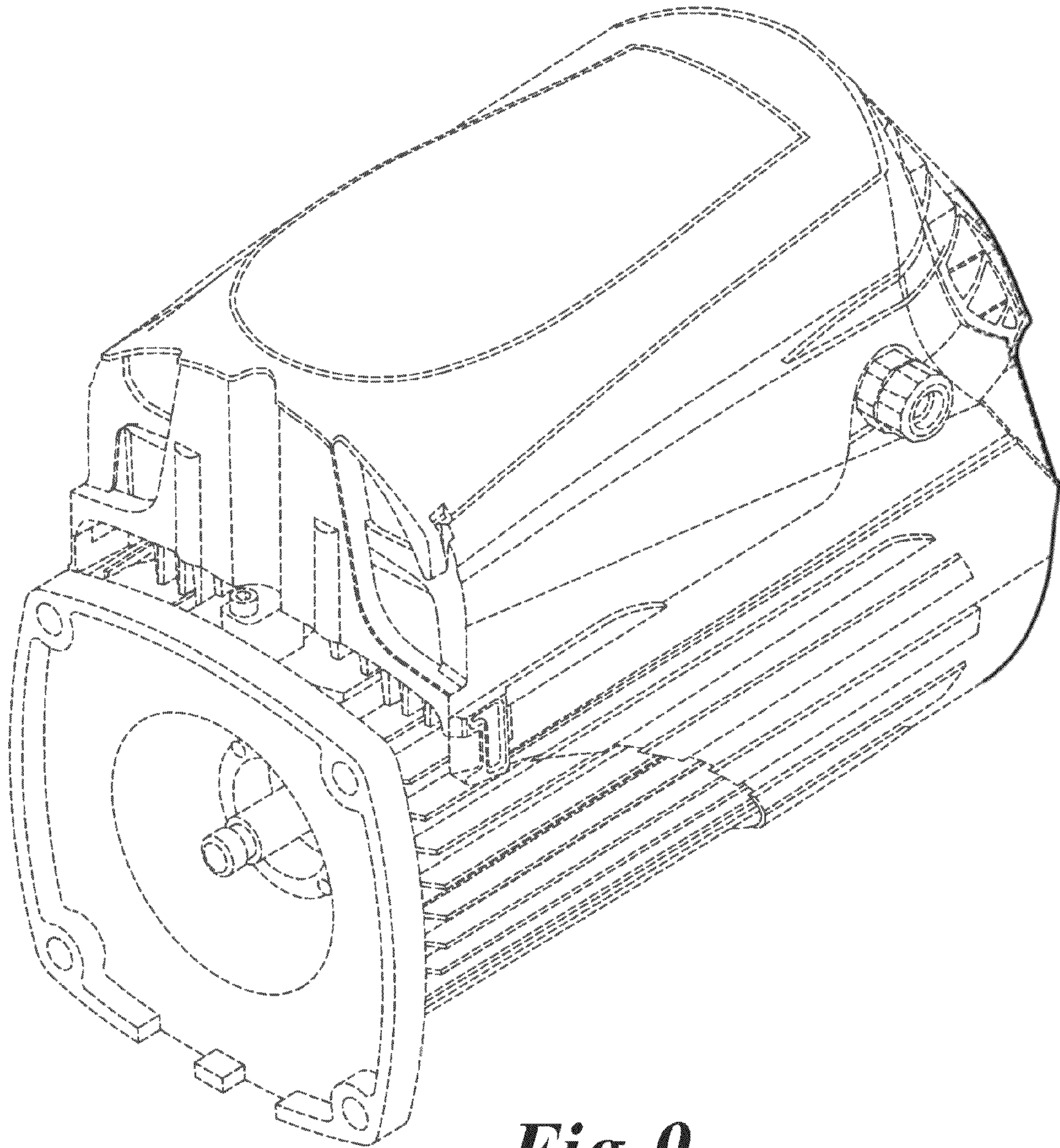


Fig. 9

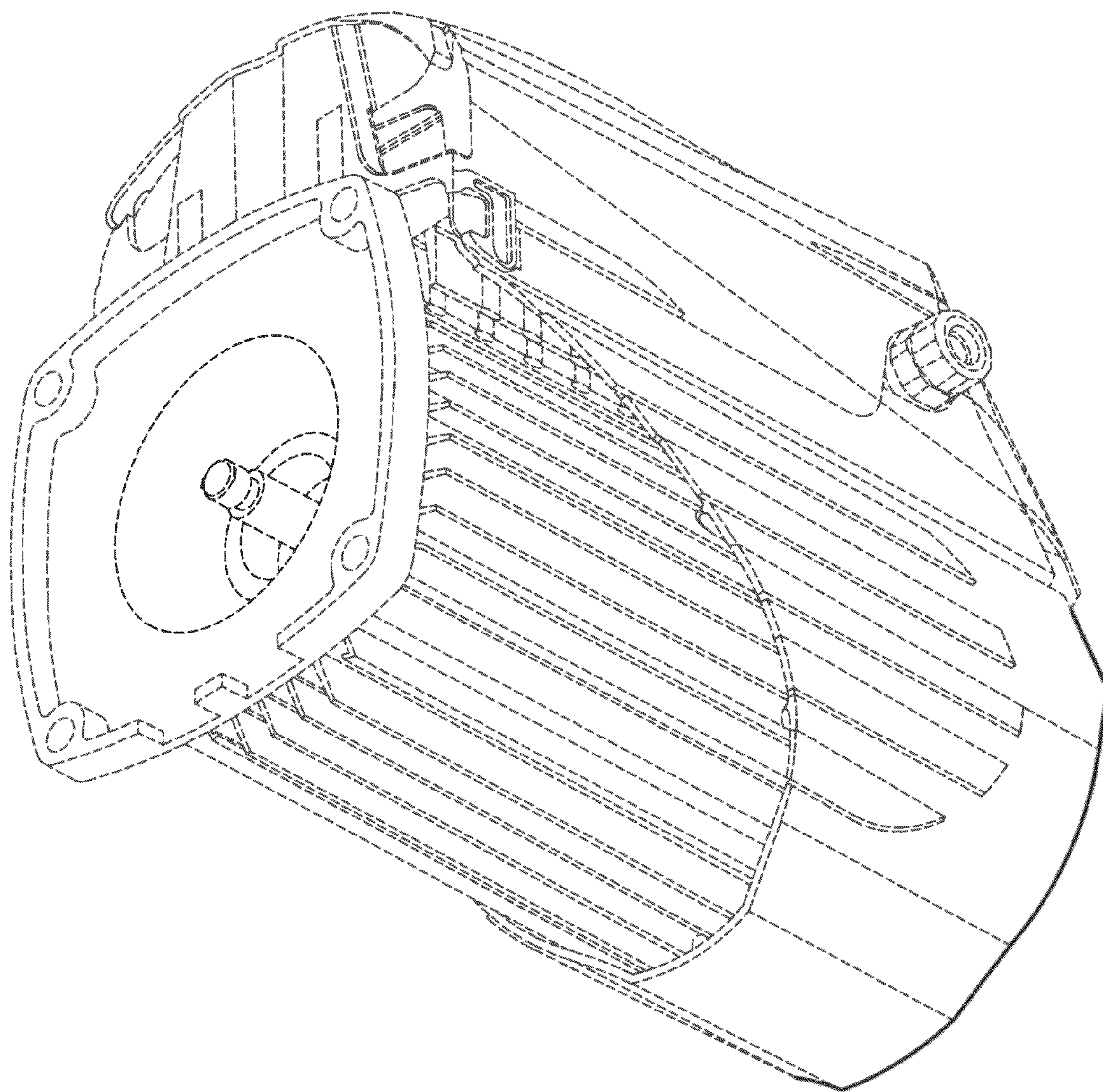


Fig. 10