



US00D680071S

(12) **United States Design Patent**
Tanabe et al.

(10) **Patent No.:** **US D680,071 S**
(45) **Date of Patent:** **** Apr. 16, 2013**

(54) **MOTOR**

6,118,197 A * 9/2000 Bohlen 310/89
D516,506 S 3/2006 Ichimaru et al.
D633,867 S * 3/2011 Sasaki et al. D13/112

(75) Inventors: **Yuichi Tanabe**, Osaka (JP); **Masahiko Morisaki**, Osaka (JP); **Masatomo Kumashiro**, Osaka (JP)

FOREIGN PATENT DOCUMENTS

JP D1219998 10/2004
JP D1221328 10/2004

(73) Assignee: **Panasonic Corporation**, Osaka (JP)

* cited by examiner

(**) Term: **14 Years**

Primary Examiner — Derrick Holland

(21) Appl. No.: **29/402,743**

(74) *Attorney, Agent, or Firm* — Brinks Hofer Gilson & Lione

(22) Filed: **Sep. 27, 2011**

(57) **CLAIM**

(51) **LOC (9) Cl.** **13-01**

We claim the ornamental design for a motor, as shown and described.

(52) **U.S. Cl.**

DESCRIPTION

USPC **D13/112**

(58) **Field of Classification Search** D13/112, D13/113, 114, 122, 199; D15/3, 5, 199; 74/606 R, 609; 310/10, 40 R, 42, 51, 58, 310/71, 80, 83, 85, 89, 91, 109, 236, 239, 310/254; 318/245, 255

FIG. 1 is a front perspective view of a motor of the present invention;
FIG. 2 is a rear perspective view thereof;
FIG. 3 is a front view thereof;
FIG. 4 is a rear view thereof;
FIG. 5 is a first side view thereof;
FIG. 6 is a second side view thereof;
FIG. 7 is a top view thereof; and,
FIG. 8 is a bottom view thereof.

See application file for complete search history.

The broken lines shown represent unclaimed subject matter and form no part of the claimed design.

(56) **References Cited**

U.S. PATENT DOCUMENTS

D194,910 S * 4/1963 Lindt et al. D13/112
5,172,605 A * 12/1992 Schwartz 74/421 A
D364,375 S * 11/1995 Sakashita et al. D13/112

1 Claim, 8 Drawing Sheets

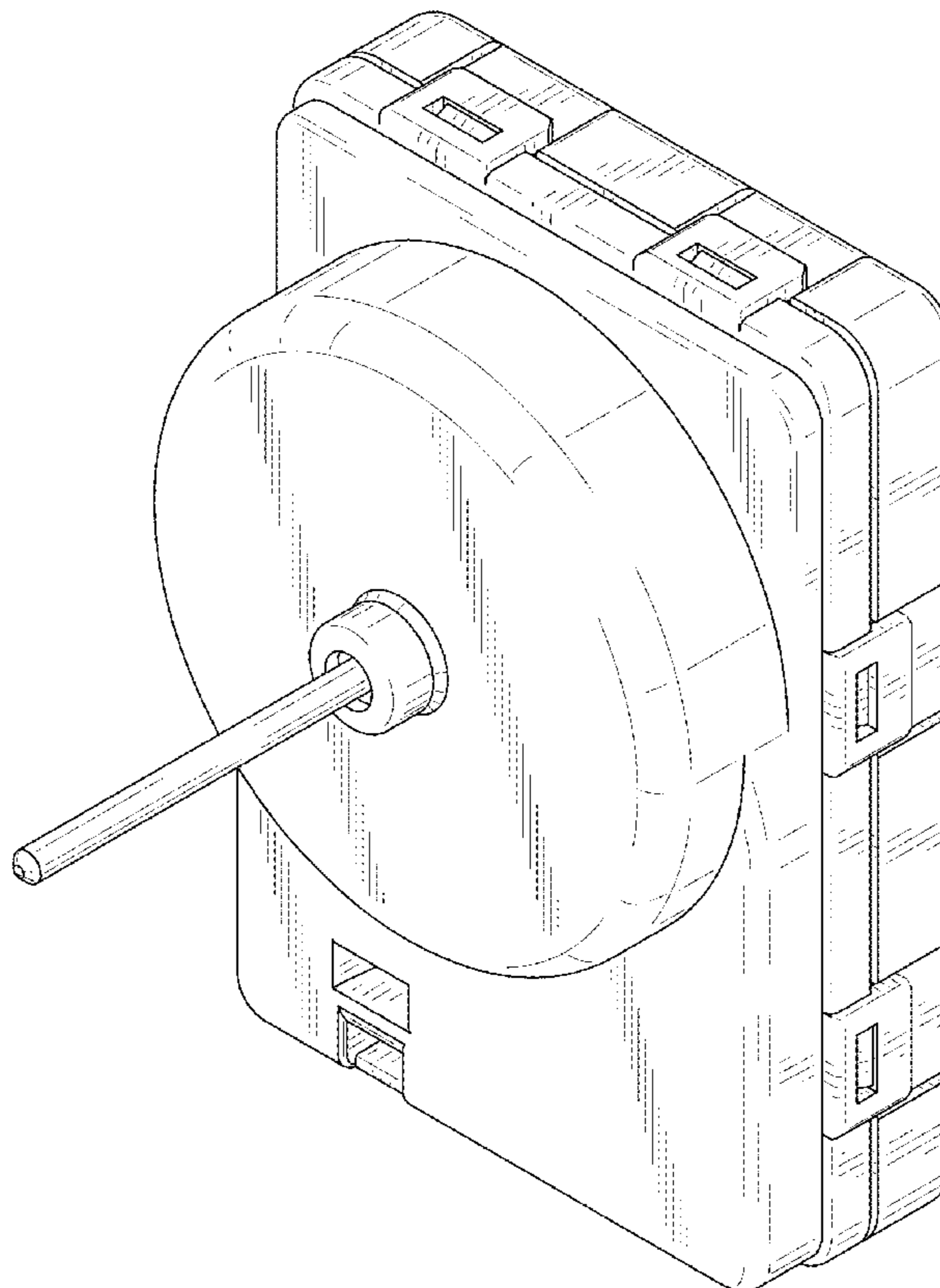


FIG.1

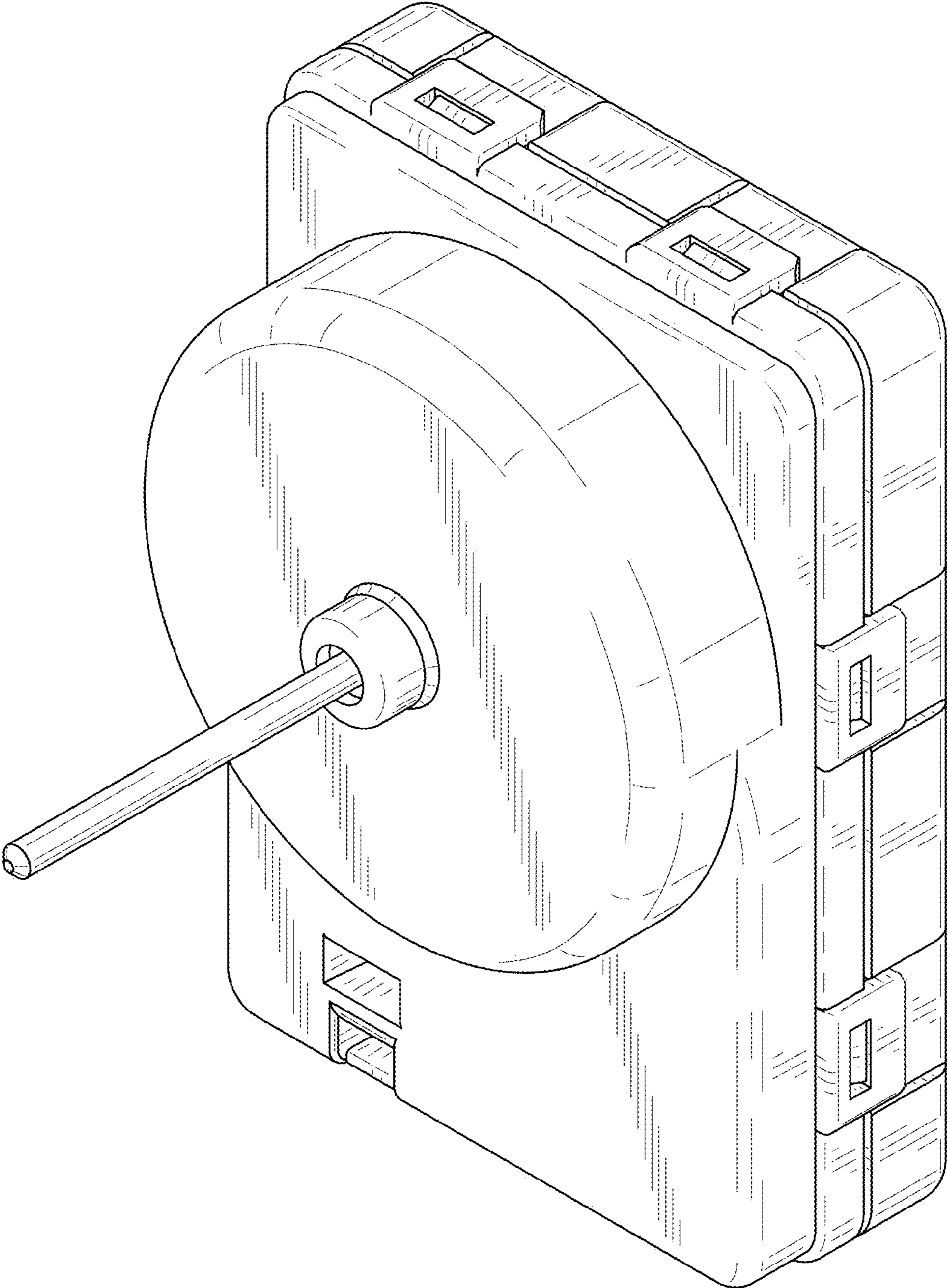


FIG.2

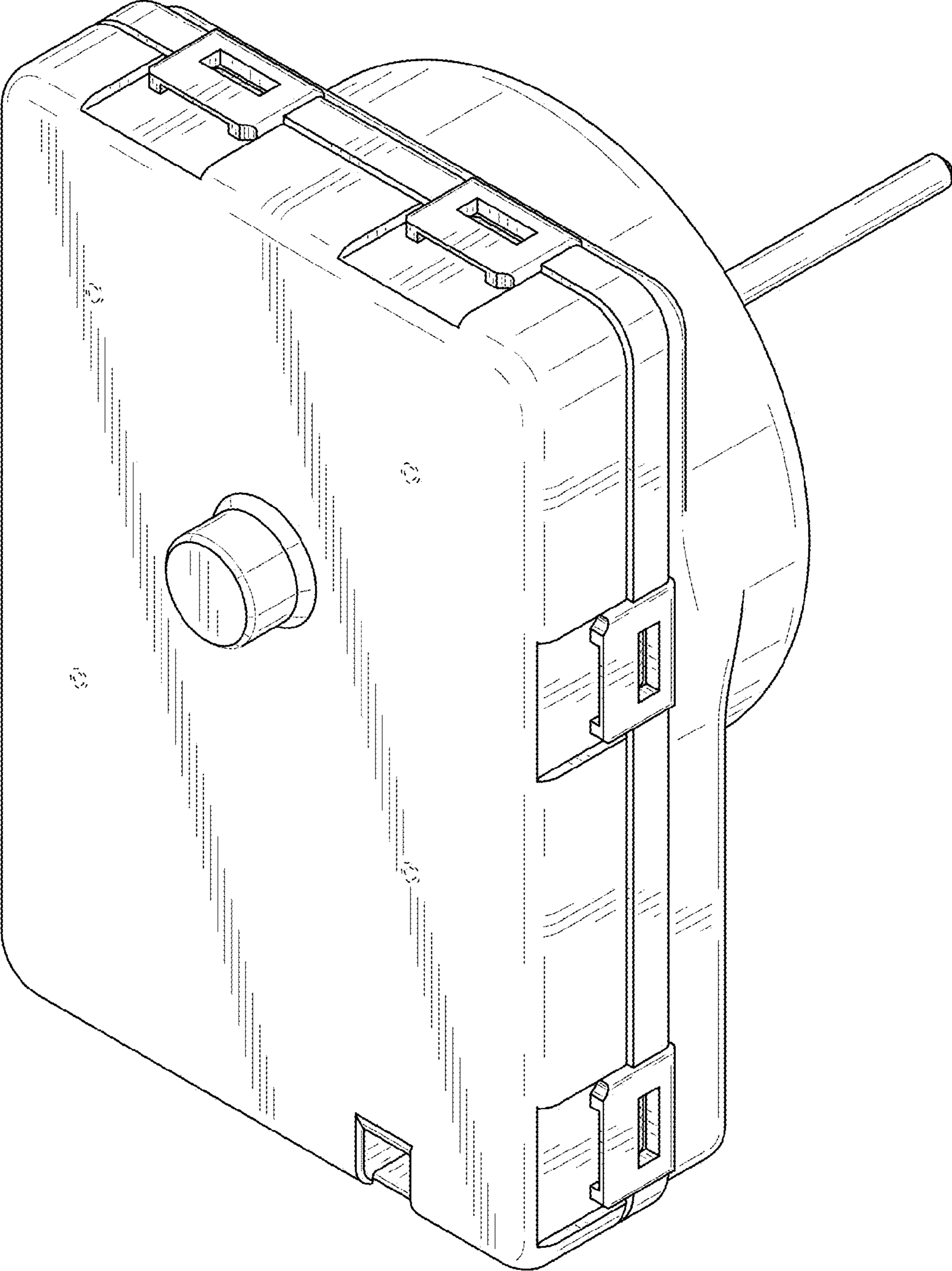


FIG.3

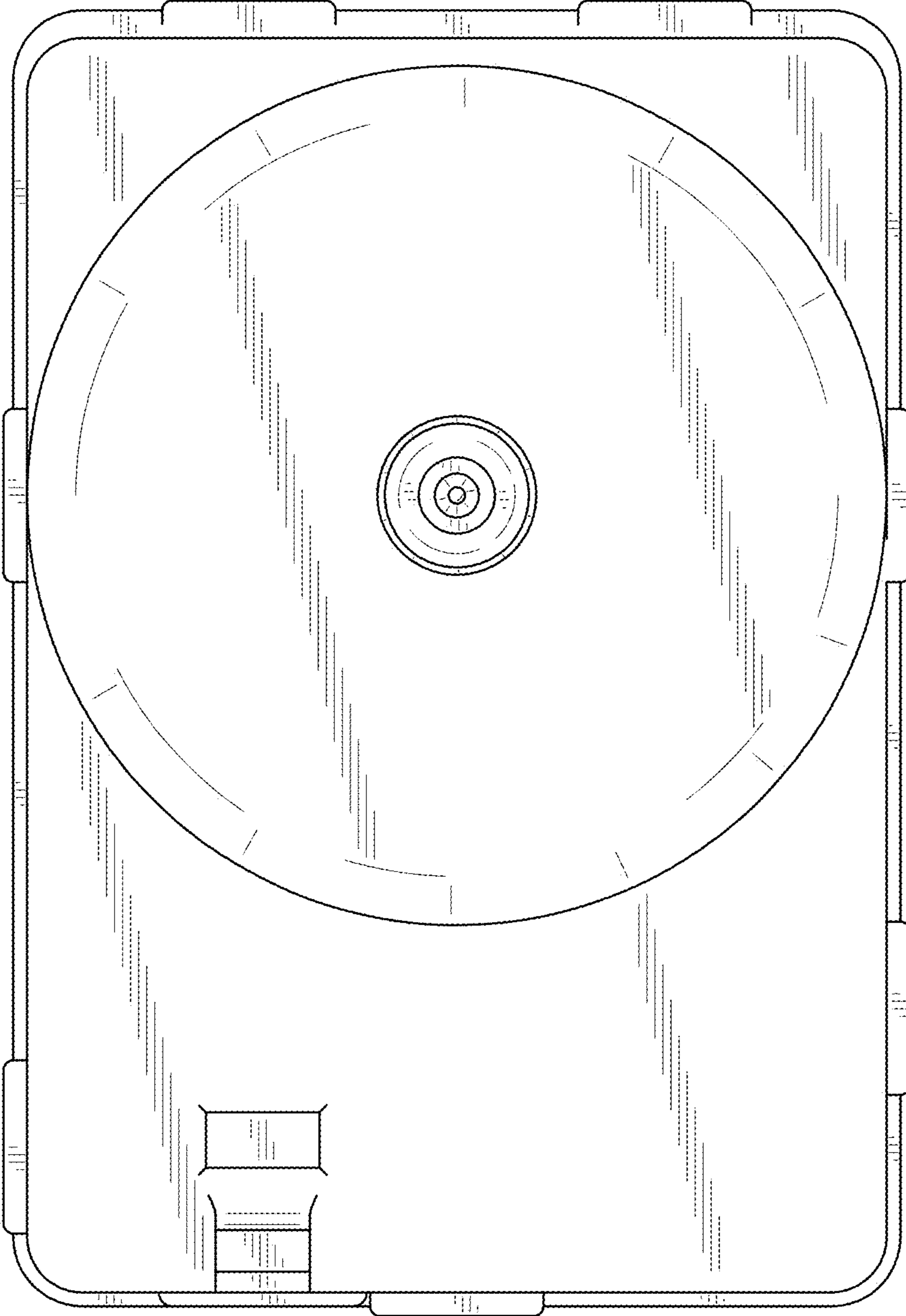


FIG.4

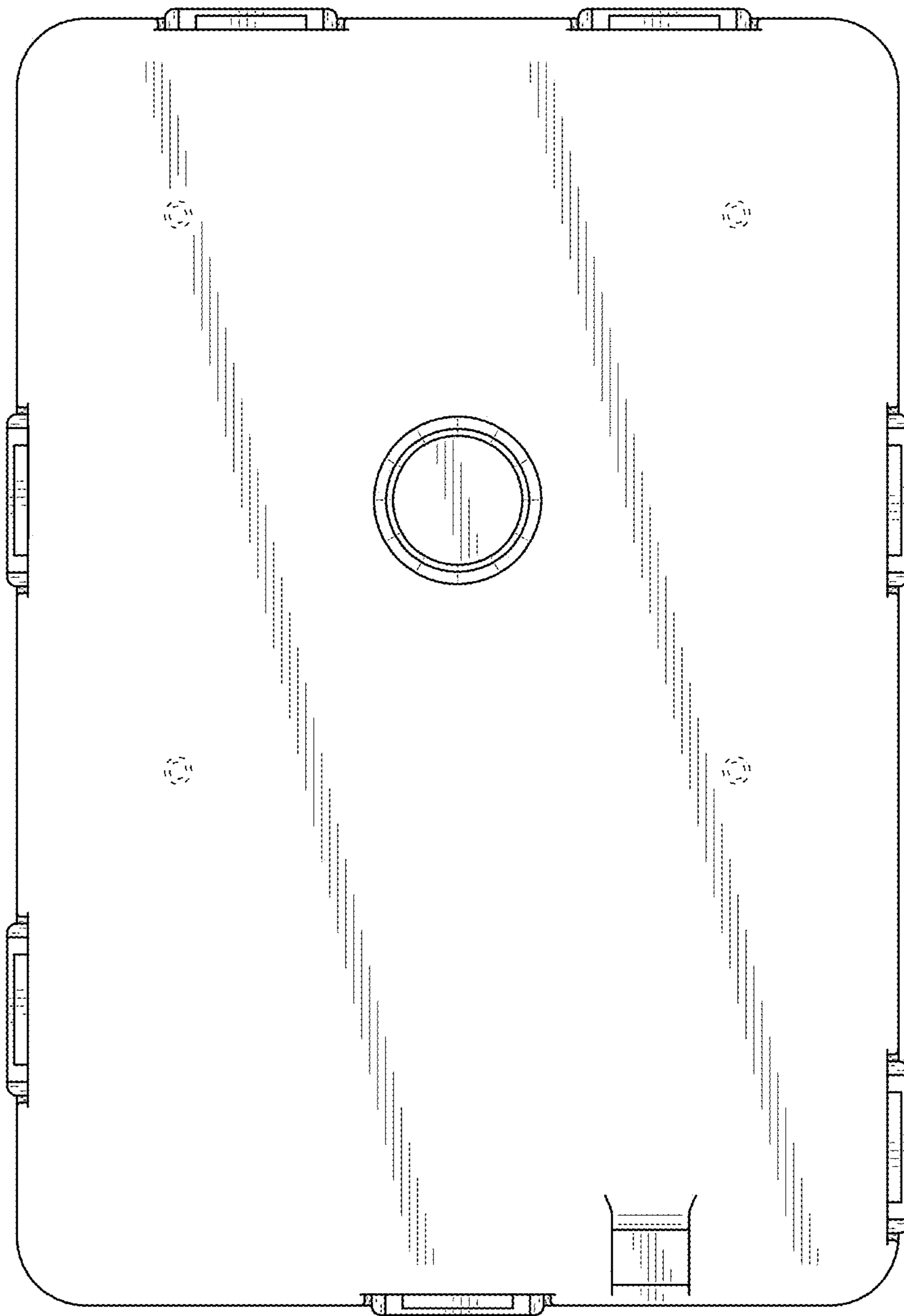


FIG.5

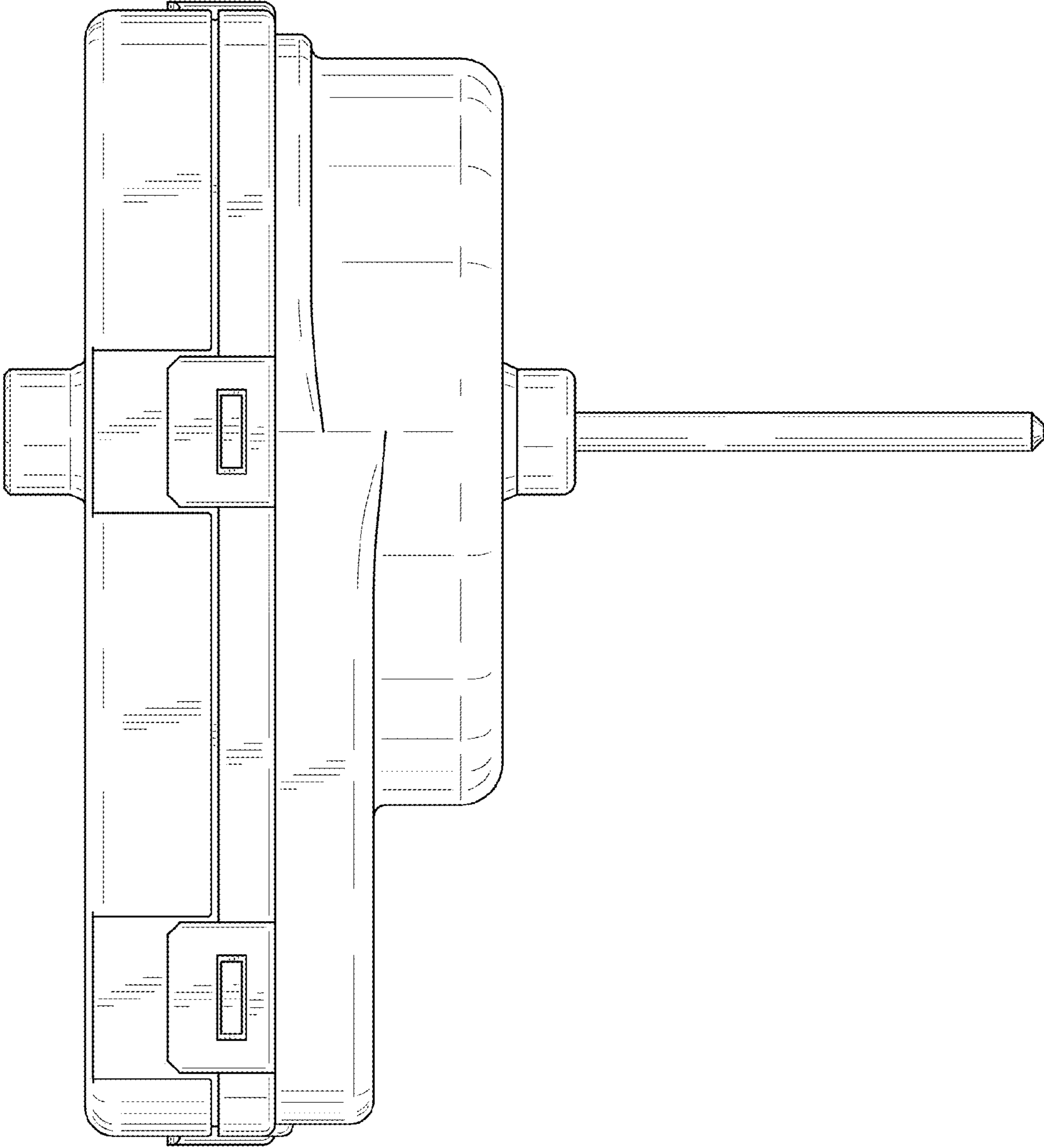


FIG.6

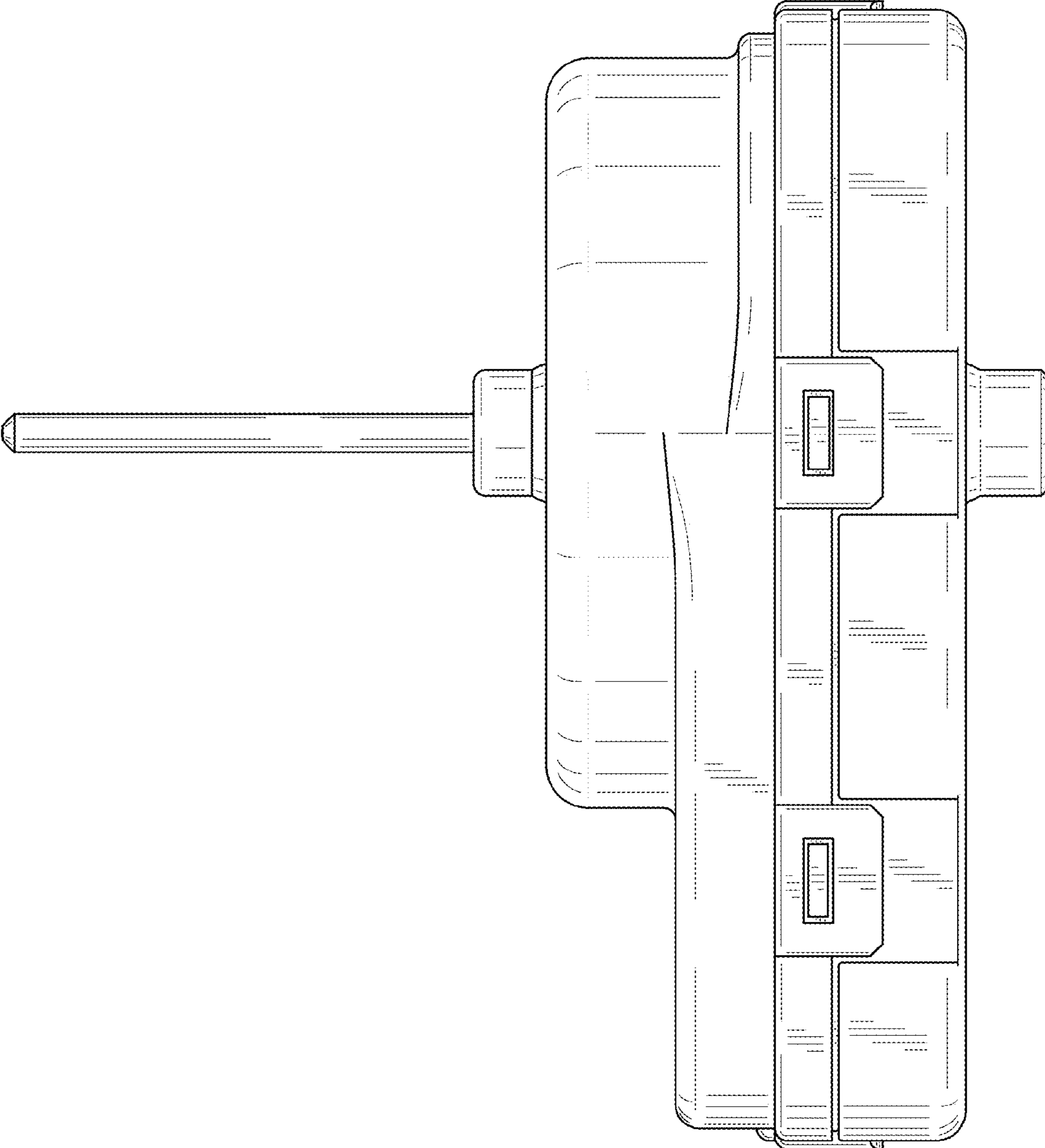


FIG. 7

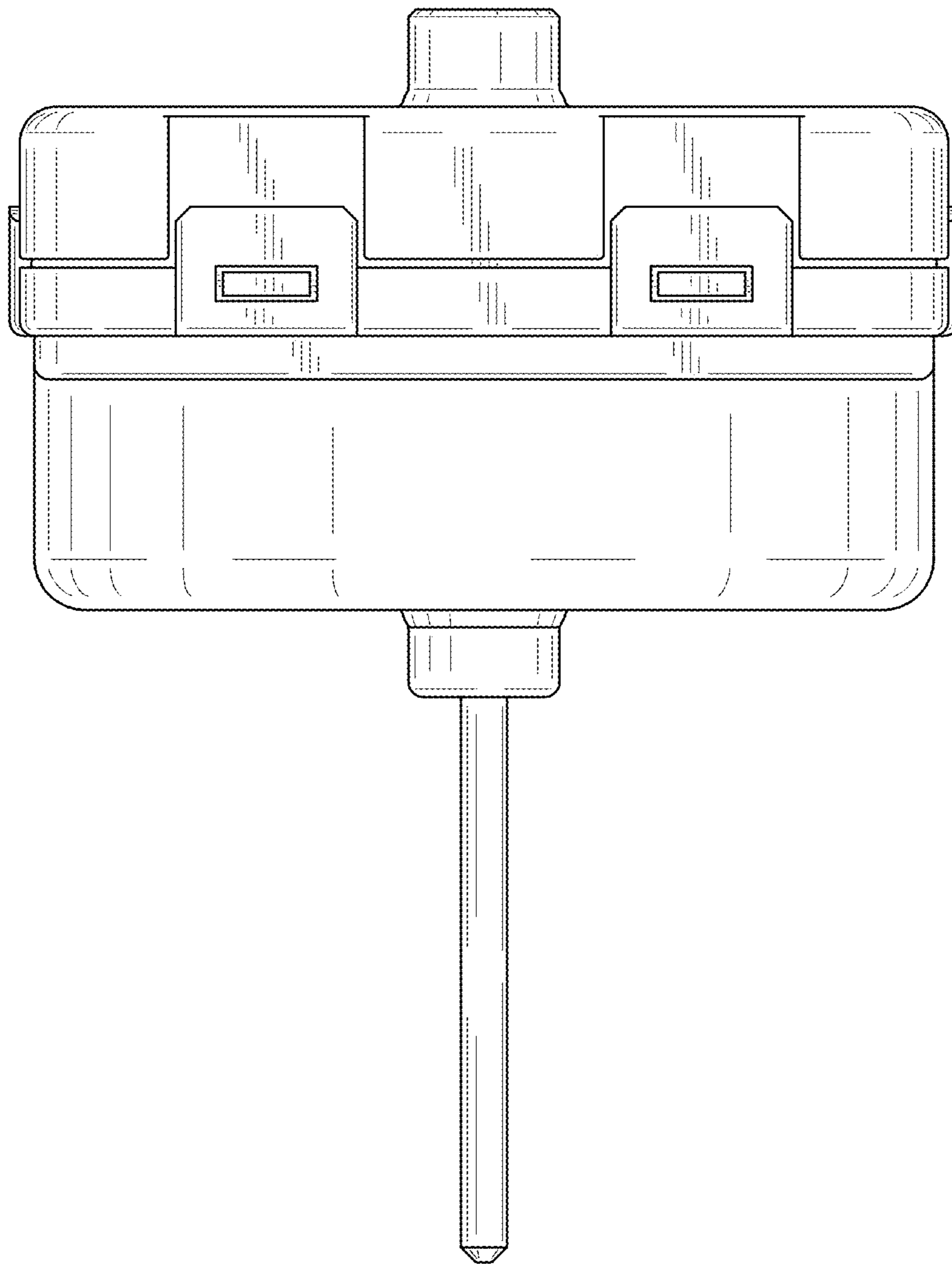


FIG. 8

