



US00D680069S

(12) **United States Design Patent**  
**Symons**

(10) **Patent No.:** **US D680,069 S**  
(45) **Date of Patent:** **\*\* Apr. 16, 2013**

- (54) **ADAPTER FOR CHARGING**
- (71) Applicant: **Dominic Symons**, Wilkie Edge (SG)
- (72) Inventor: **Dominic Symons**, Wilkie Edge (SG)
- (73) Assignee: **Bluelounge Pte. Ltd.**, Wilkie Edge (SG)
- (\*\*) Term: **14 Years**
- (21) Appl. No.: **29/441,423**
- (22) Filed: **Jan. 4, 2013**
- (51) **LOC (9) Cl.** ..... **13-02**
- (52) **U.S. Cl.**  
USPC ..... **D13/108**; D13/110
- (58) **Field of Classification Search** ..... D13/107-110,  
D13/133, 147, 148, 184, 199; D14/356,  
D14/411, 433, 435, 435.1, 480.1-480.7;  
320/107-115; 361/785, 752, 679.31, 679.33,  
361/679.4; 439/76.1, 131, 135-147; 710/300,  
710/301  
See application file for complete search history.

(56) **References Cited**

U.S. PATENT DOCUMENTS

6,813,164	B2 *	11/2004	Yen	.....	361/785
D509,797	S	9/2005	Milan		
D513,005	S *	12/2005	Kobayakawa	.....	D14/480.1
D531,579	S	11/2006	Peng		
D554,119	S *	10/2007	Otsuka et al.	.....	D14/480.5
D563,954	S *	3/2008	Buchanon	.....	D14/480.7
D566,707	S *	4/2008	Patton et al.	.....	D14/480.2
D574,822	S *	8/2008	Bhavnani	.....	D14/480.3
D586,750	S	2/2009	Li		
D588,545	S	3/2009	Andre		
D595,223	S *	6/2009	Yamamoto et al.	.....	D13/108
D595,236	S	6/2009	Andre		
D599,740	S	9/2009	Guccione		
D601,954	S *	10/2009	Carmouche, II	.....	D13/108
D604,253	S	11/2009	Andre		
D623,753	S *	9/2010	Saffer et al.	.....	D24/186

D624,553	S *	9/2010	Mamone	.....	D14/480.5
D629,805	S	12/2010	Nysen		
D631,053	S *	1/2011	Bailey	.....	D14/480.1
D631,056	S *	1/2011	Mans et al.	.....	D14/480.5
D640,263	S *	6/2011	Huang	.....	D14/480.3
D656,096	S	3/2012	Sasada		
D656,139	S *	3/2012	Schlossstein	.....	D14/480.1
D658,665	S *	5/2012	Akana et al.	.....	D14/480.1
D662,941	S *	7/2012	Emami	.....	D14/480.3
D672,361	S *	12/2012	Huang	.....	D14/480.3
D675,630	S *	2/2013	Ni et al.	.....	D14/480.1
2006/0047880	A1 *	3/2006	Lindblom et al.	.....	710/305
2012/0045939	A1	2/2012	Pocrass		

(Continued)

OTHER PUBLICATIONS

diytrade.com, Jan. 3, 2013, Internet printout: [http://www.diytrade.com/china/pd/6885367/USB\\_charger\\_for\\_iPad.html](http://www.diytrade.com/china/pd/6885367/USB_charger_for_iPad.html).

(Continued)

Primary Examiner — Rosemary K Tarcza

(74) Attorney, Agent, or Firm — Todd R. Miller

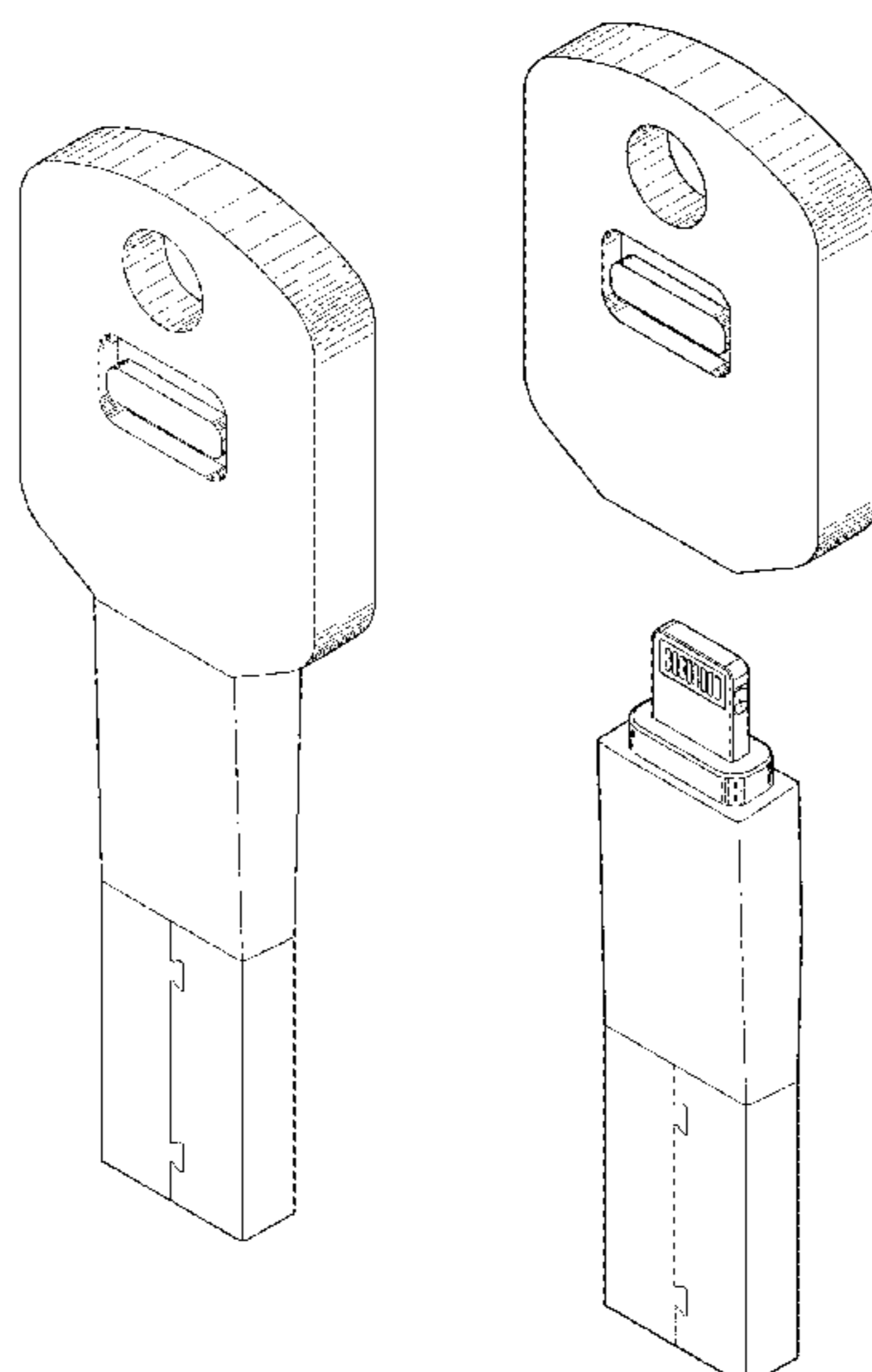
(57) **CLAIM**

The ornamental design for an adapter for charging, as shown and described.

**DESCRIPTION**

FIG. 1 is a front view of an adapter for charging showing my new design;  
 FIG. 2 is a back view thereof;  
 FIG. 3 is a perspective view thereof;  
 FIG. 4 is a side view thereof;  
 FIG. 5 is a top view thereof;  
 FIG. 6 is a bottom view thereof;  
 FIG. 7 is a perspective view thereof, showing the cap removed;  
 FIG. 8 is a front view thereof, without the cap; and,  
 FIG. 9 is a side view thereof, without the cap.

**1 Claim, 9 Drawing Sheets**



U.S. PATENT DOCUMENTS

2012/0212349 A1 8/2012 Chang  
2012/0229090 A1 9/2012 Arai  
2012/0279516 A1 11/2012 Bouix

OTHER PUBLICATIONS

7daysget.com, Jan. 3, 2013, Internet printout: [http://www.7daysget.com/usb-mini-power-adapter-for-iphone-4gipad-white-free-ship-ping\\_p13302.html](http://www.7daysget.com/usb-mini-power-adapter-for-iphone-4gipad-white-free-ship-ping_p13302.html).

Bluelounge Pte. Ltd., iPhone 4 Kii Brochure showing iPhone 4 Kii shown to potential buyers in Berlin, Germany, Sep. 12, 2012. sell.lulusos.com, Jan. 3, 2013, Internet printout: <http://sell.lulusos.com/selling-leads/1193952/Mini-usb-charger-for-iphone-ipad-ipod.html>.

kickstarter.com, Jan. 3, 2013, Internet printout: <http://www.kickstarter.com/projects/2088143118/nomad-lightning-cable-for-iphone-5-and-ipad-mini>.

\* cited by examiner

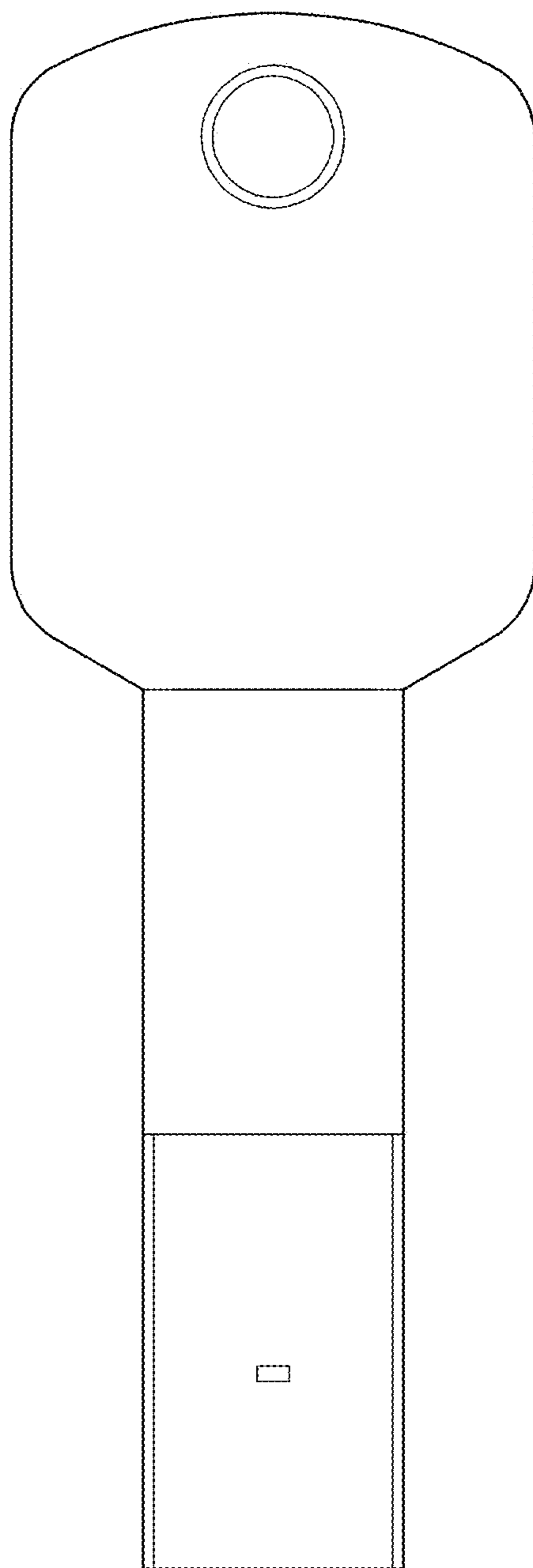


Fig. 1

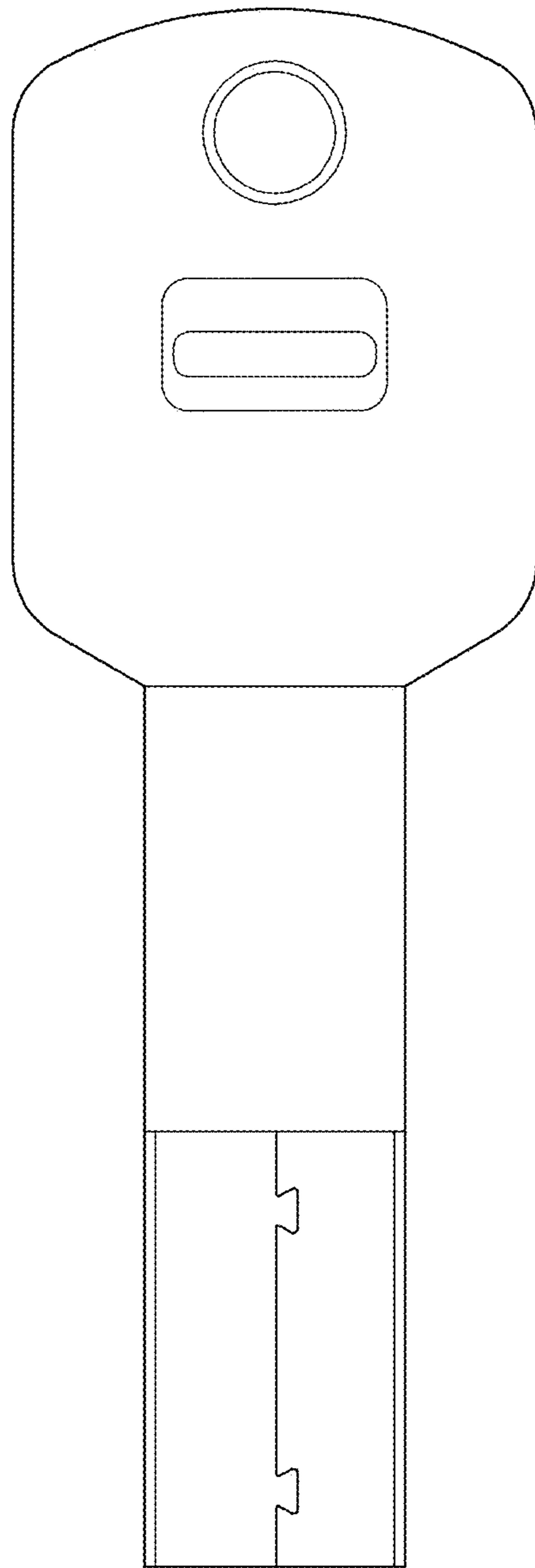


Fig. 2

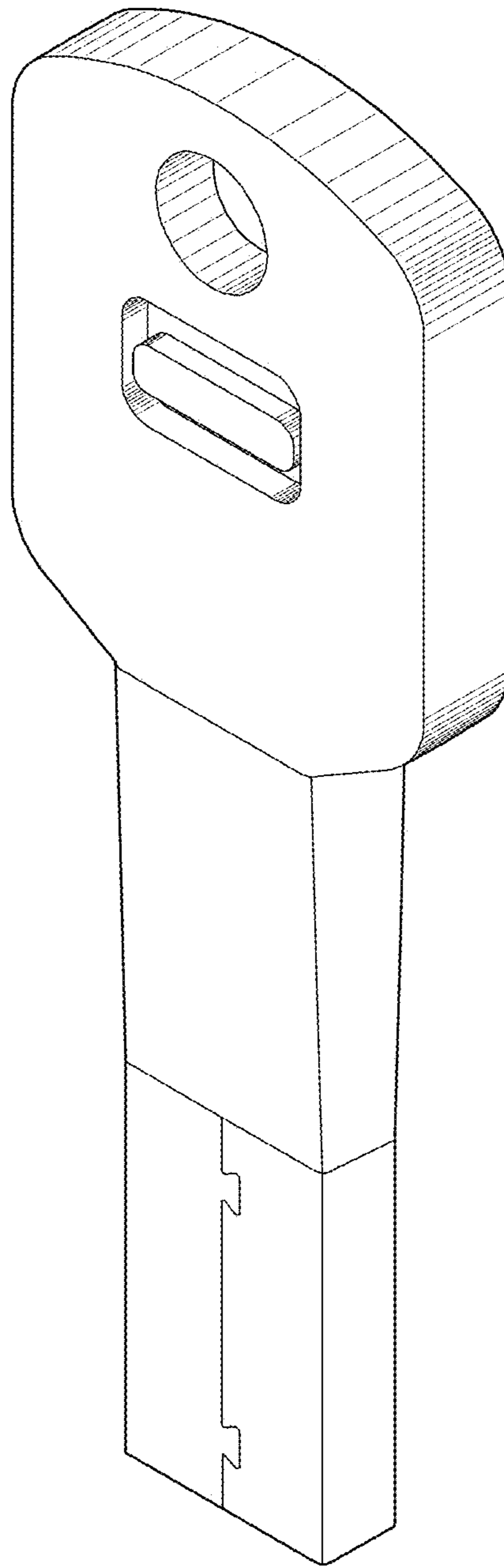


Fig. 3

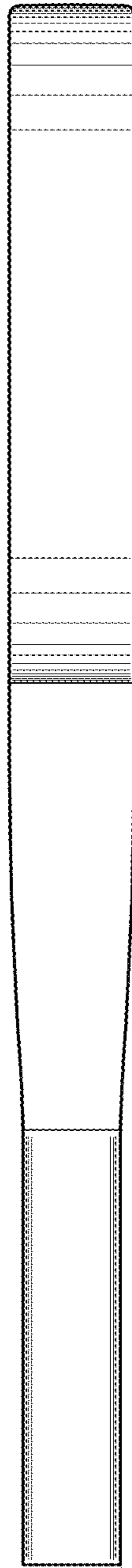


Fig. 4

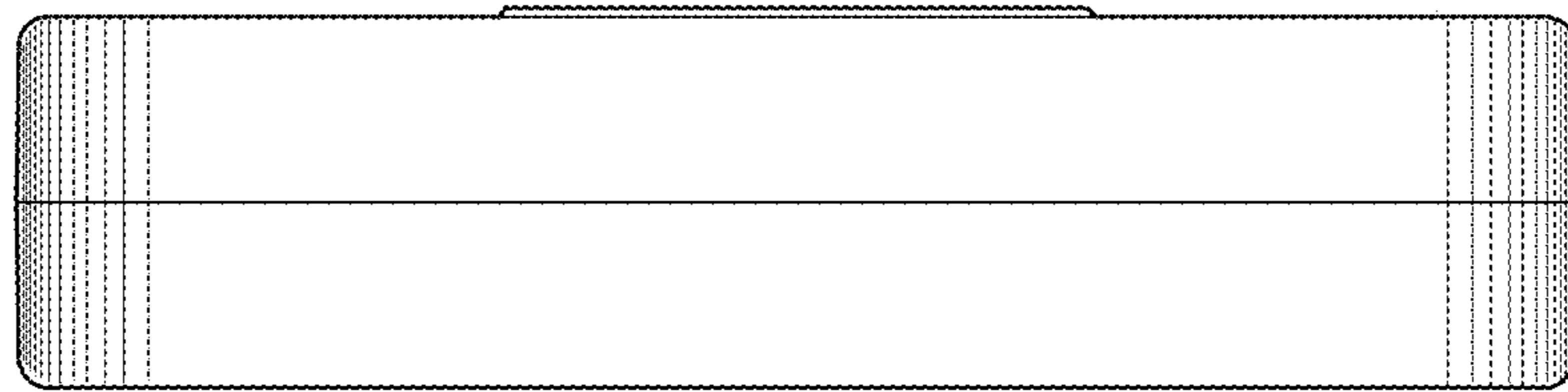


Fig. 5

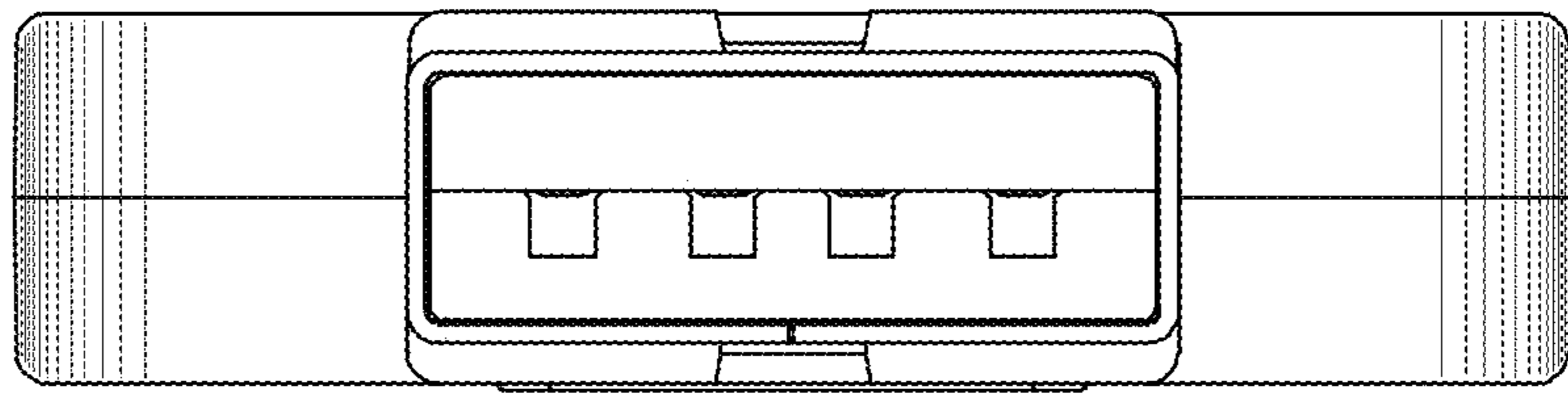


Fig. 6



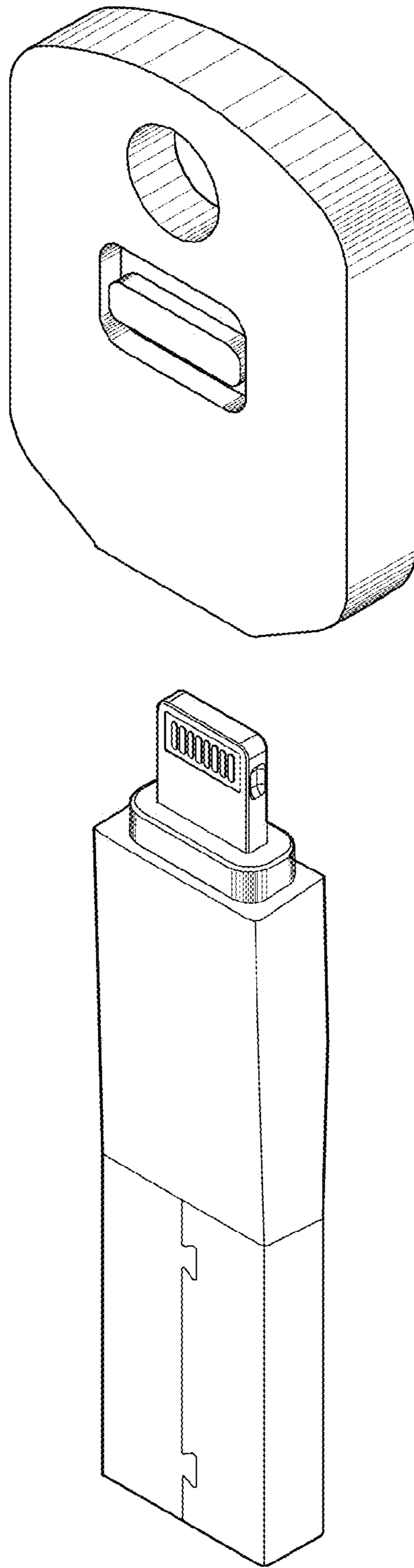


Fig. 7

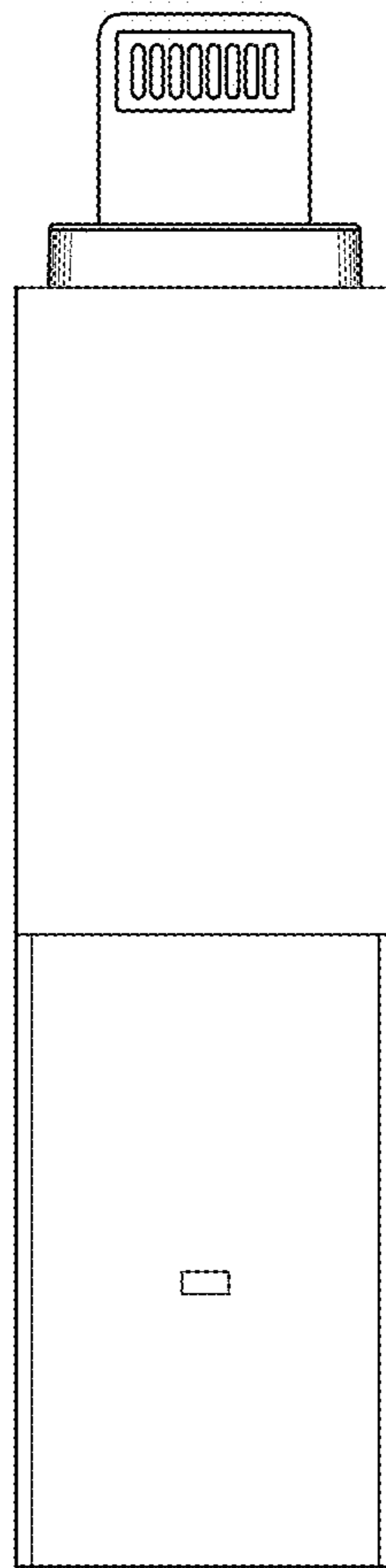


Fig. 8

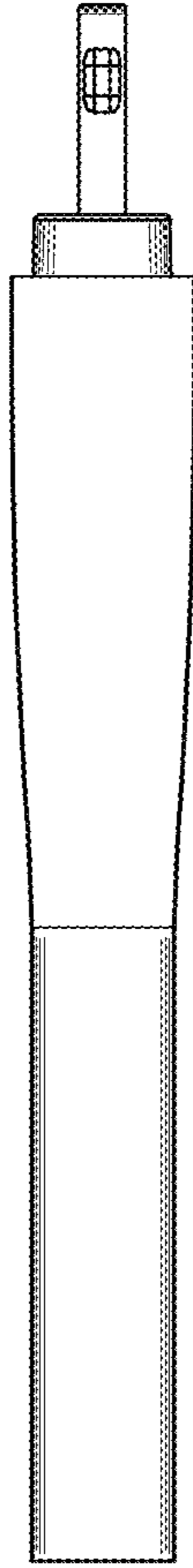


Fig. 9