



US00D680068S

(12) **United States Design Patent**
Lee

(10) **Patent No.:** **US D680,068 S**

(45) **Date of Patent:** **** Apr. 16, 2013**

(54) **MOBILE STAND WITH POWER BANK**

(71) Applicant: **Shun-Huei Lee**, New Taipei (TW)

(72) Inventor: **Shun-Huei Lee**, New Taipei (TW)

(**) Term: **14 Years**

(21) Appl. No.: **29/434,697**

(22) Filed: **Oct. 16, 2012**

(51) **LOC (9) Cl.** **13-02**

(52) **U.S. Cl.**
USPC **D13/108**

(58) **Field of Classification Search** D13/107-110,
D13/118-119, 184, 199; D14/251, 253,
D14/432, 434; 320/107-115
See application file for complete search history.

(56) **References Cited**

U.S. PATENT DOCUMENTS

D412,487 S *	8/1999	Nagele et al.	D13/108
D520,013 S *	5/2006	Yang	D14/434
D607,817 S *	1/2010	Tan	D13/108
D631,838 S *	2/2011	Cheng	D13/108
D637,952 S *	5/2011	Tan	D13/108
D646,268 S *	10/2011	DeLorenzo et al.	D14/253
D666,995 S *	9/2012	Termeer	D14/217

* cited by examiner

Primary Examiner — Rosemary K Tarcza

(74) *Attorney, Agent, or Firm* — Christensen O'Connor Johnson Kindness PLLC

(57) **CLAIM**

The ornamental design for mobile stand with power bank, as shown and described.

DESCRIPTION

FIG. 1 is a perspective view of mobile stand with power bank showing my new design;

FIG. 2 is a front elevational view thereof;

FIG. 3 is a rear elevational view thereof;

FIG. 4 is a left side elevational view thereof;

FIG. 5 is a right side elevational view thereof;

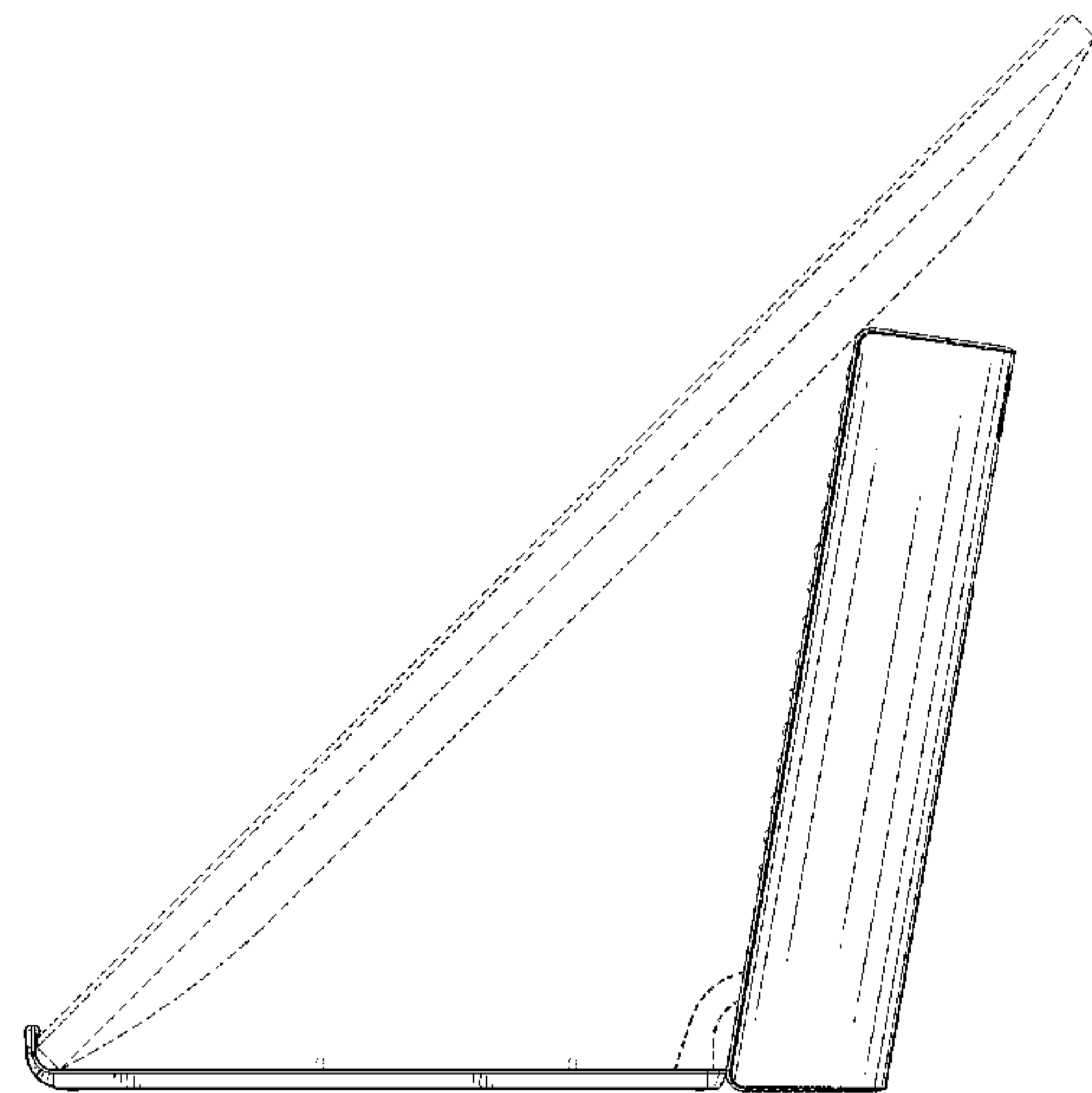
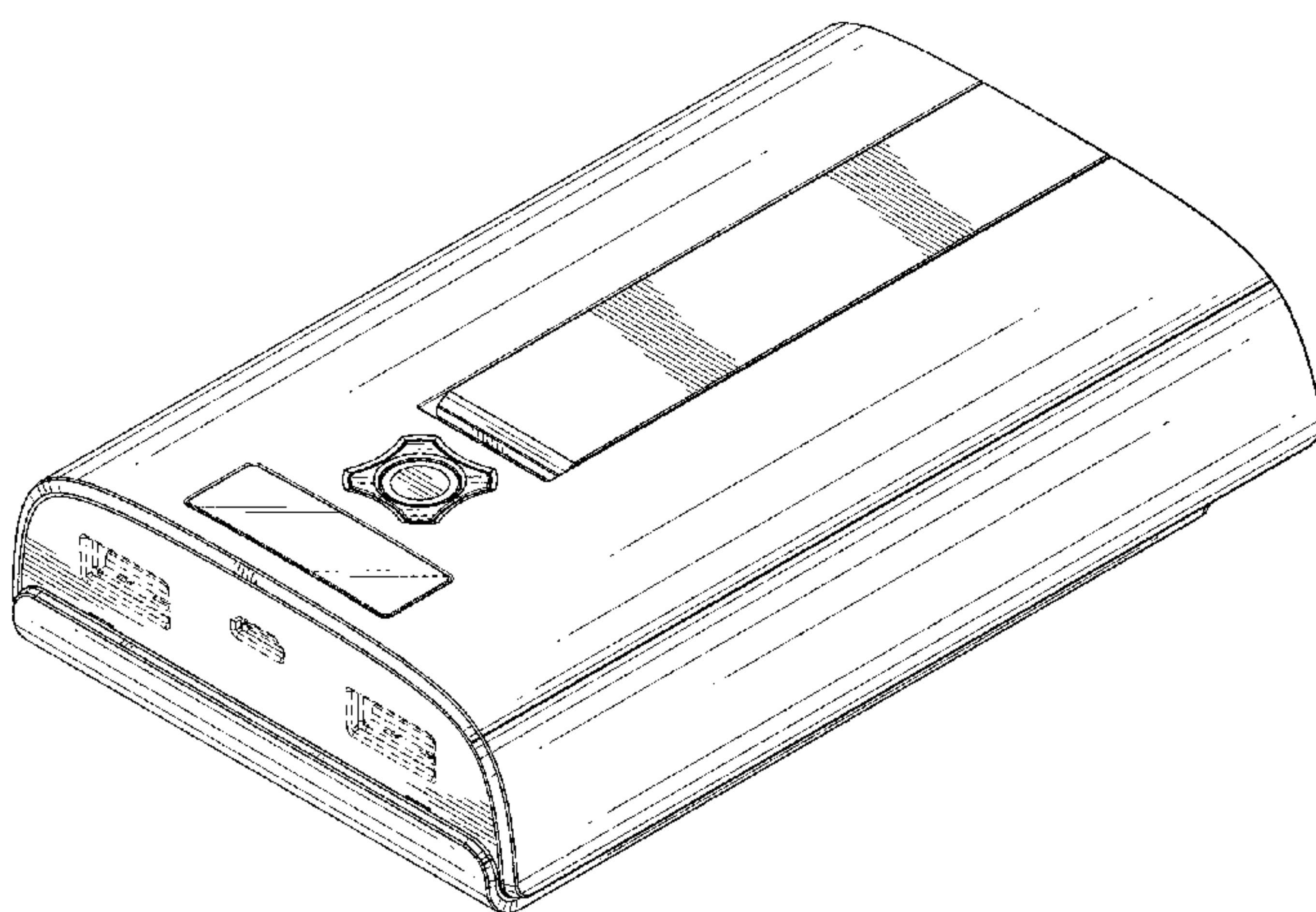
FIG. 6 is a top plan view thereof;

FIG. 7 is a bottom plan view thereof; and,

FIG. 8 is a perspective view of the design in use.

The broken lines shown in the drawings are included for the purpose of illustrating environmental structure and form no part of the claimed design.

1 Claim, 6 Drawing Sheets



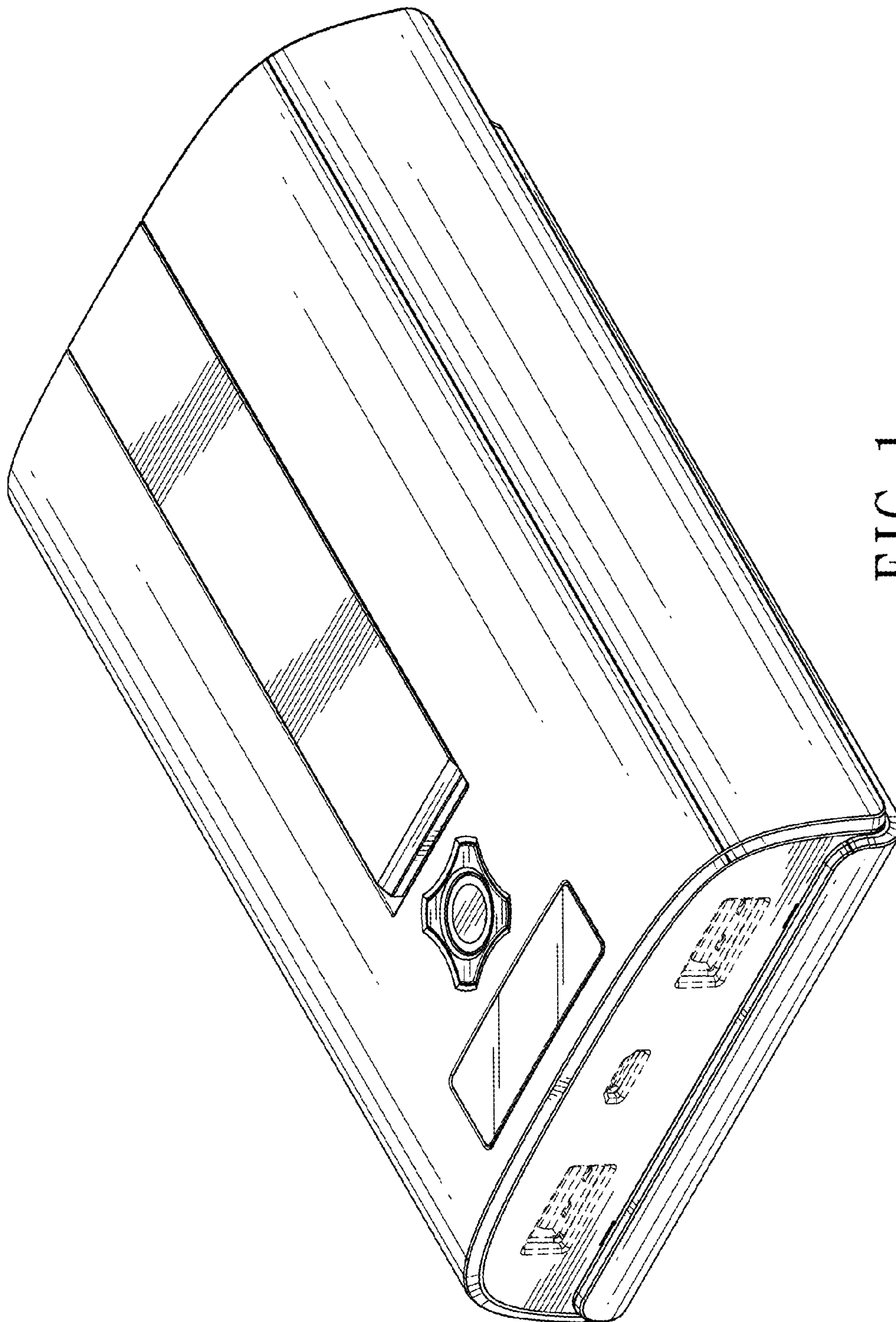


FIG. 1

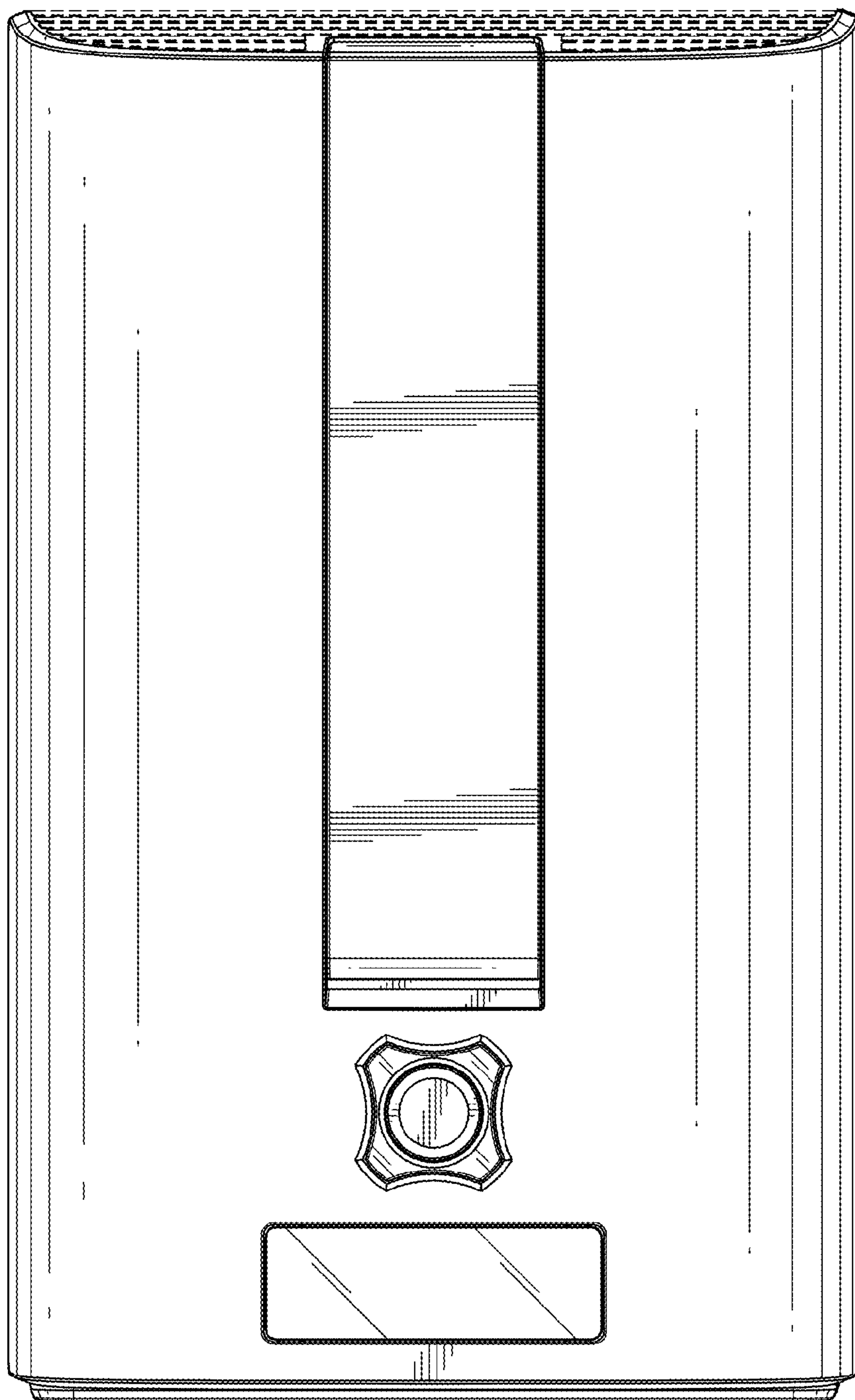


FIG. 2

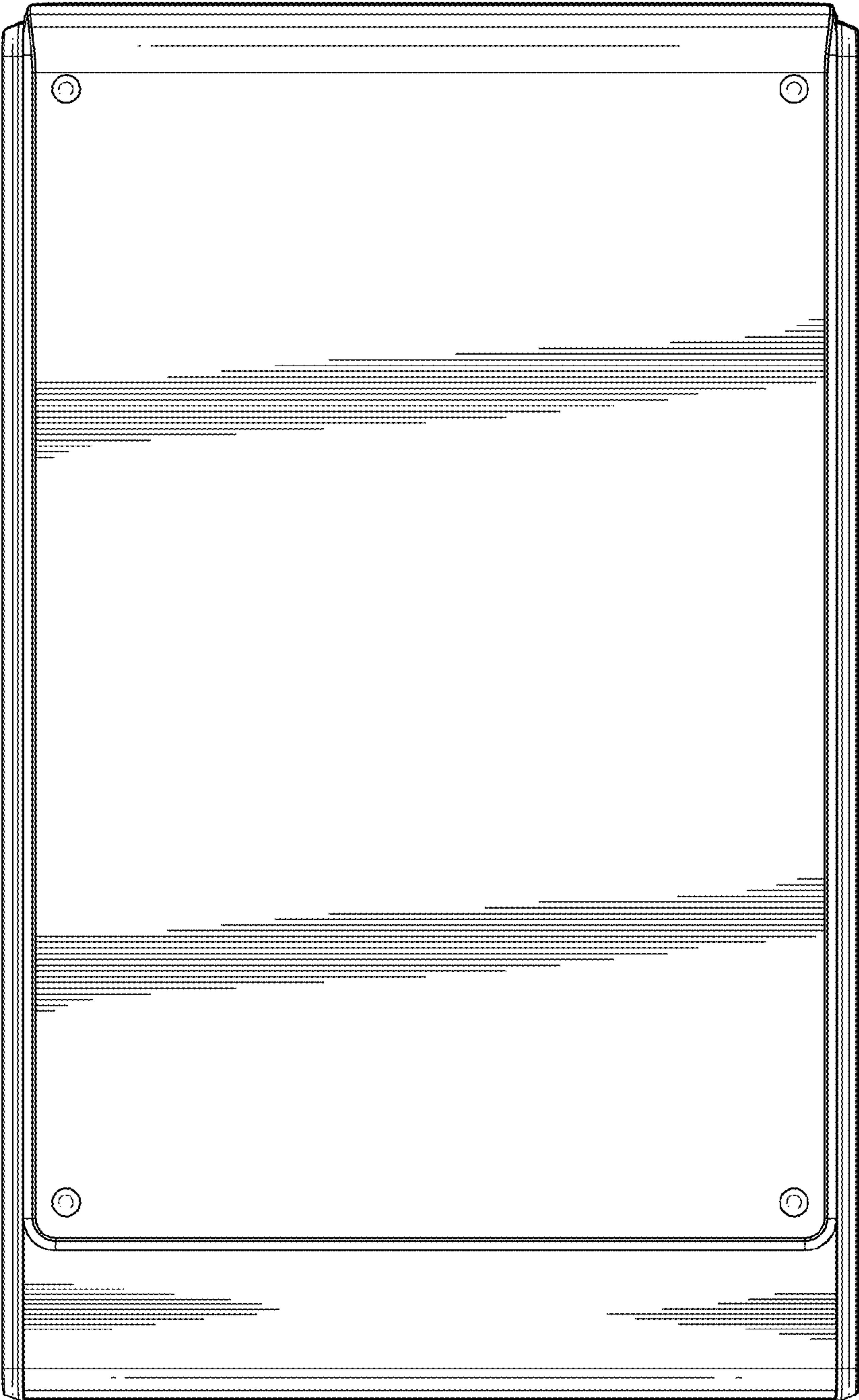


FIG. 3

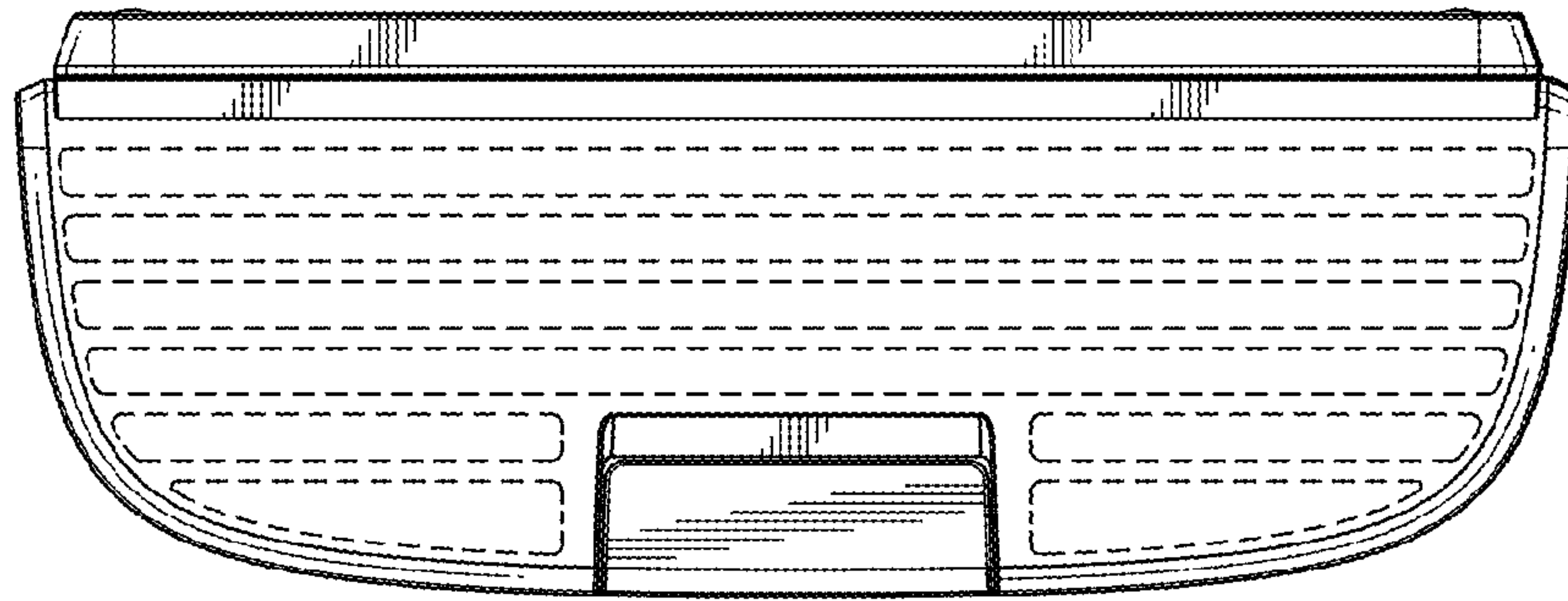


FIG. 5

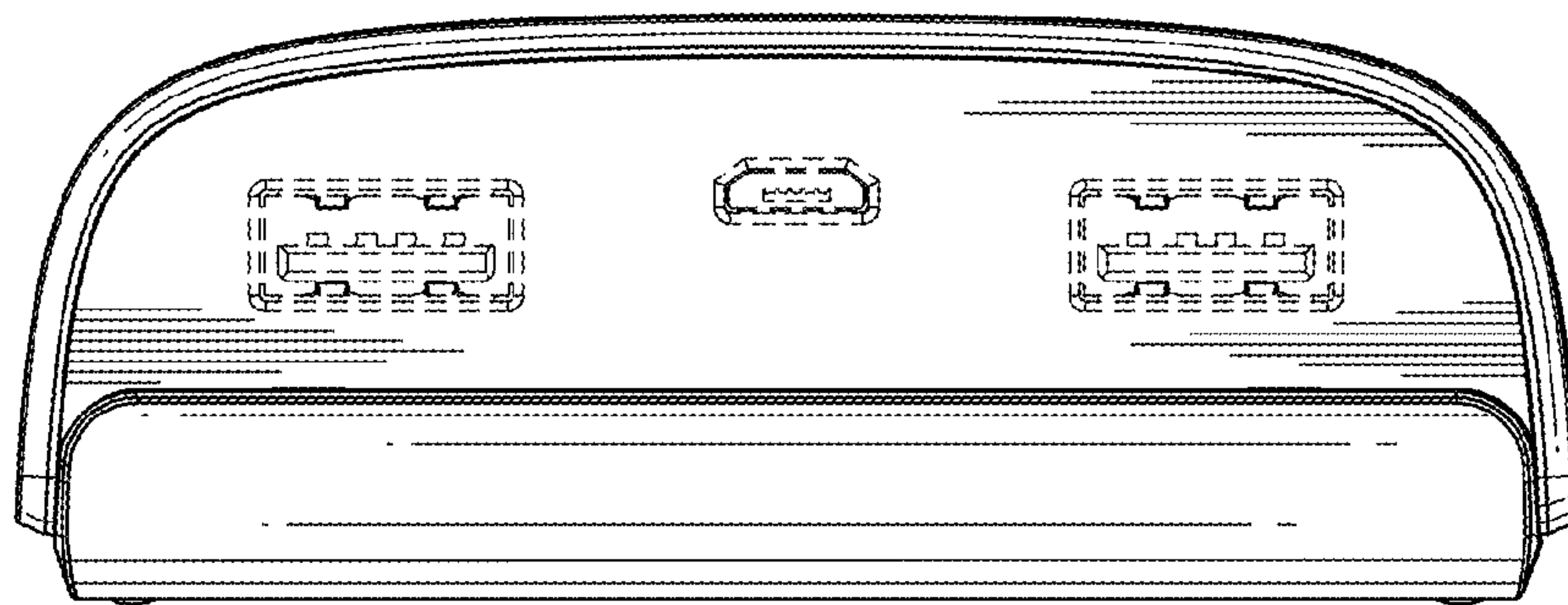


FIG. 4

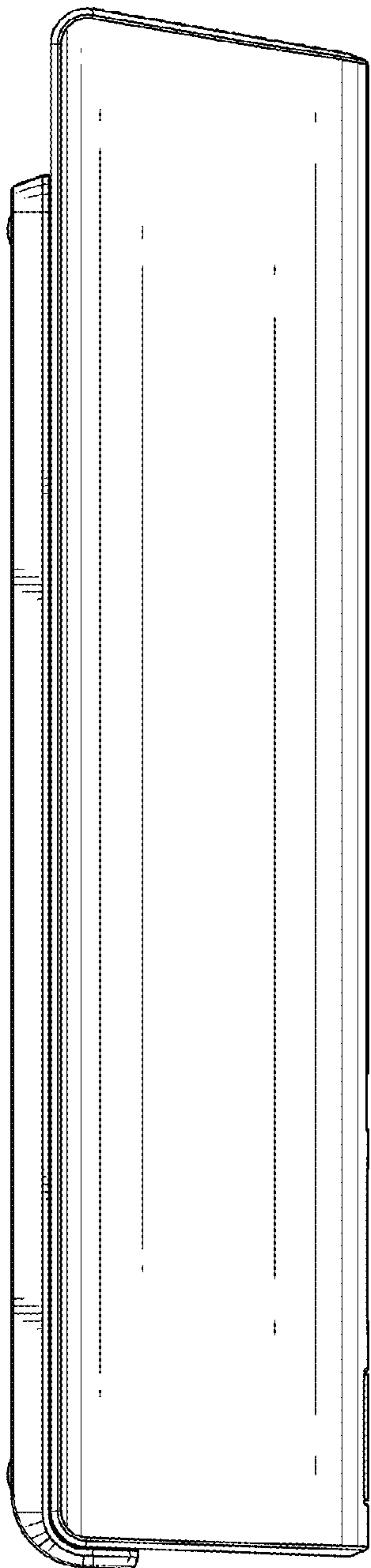


FIG. 6

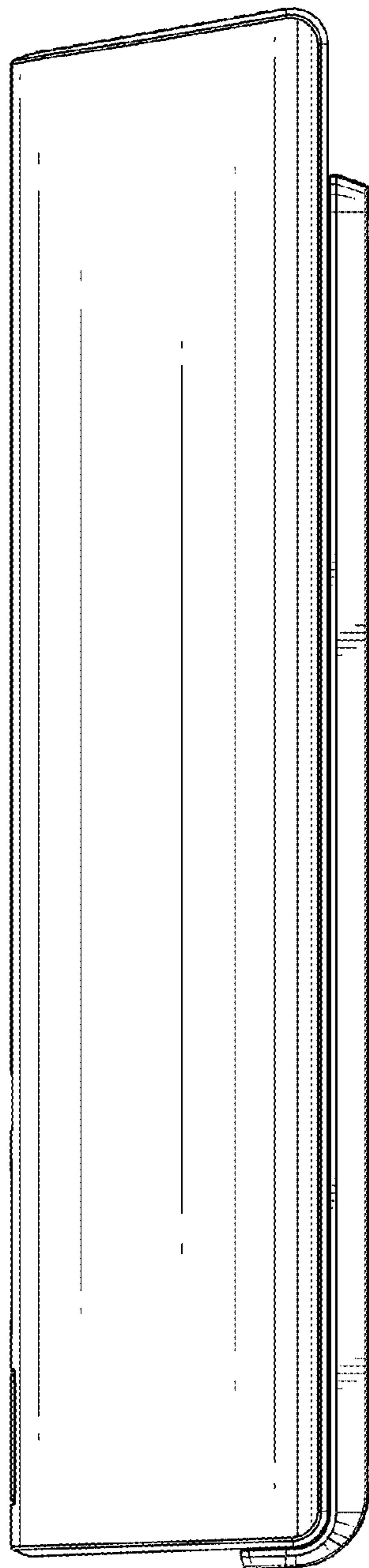


FIG. 7

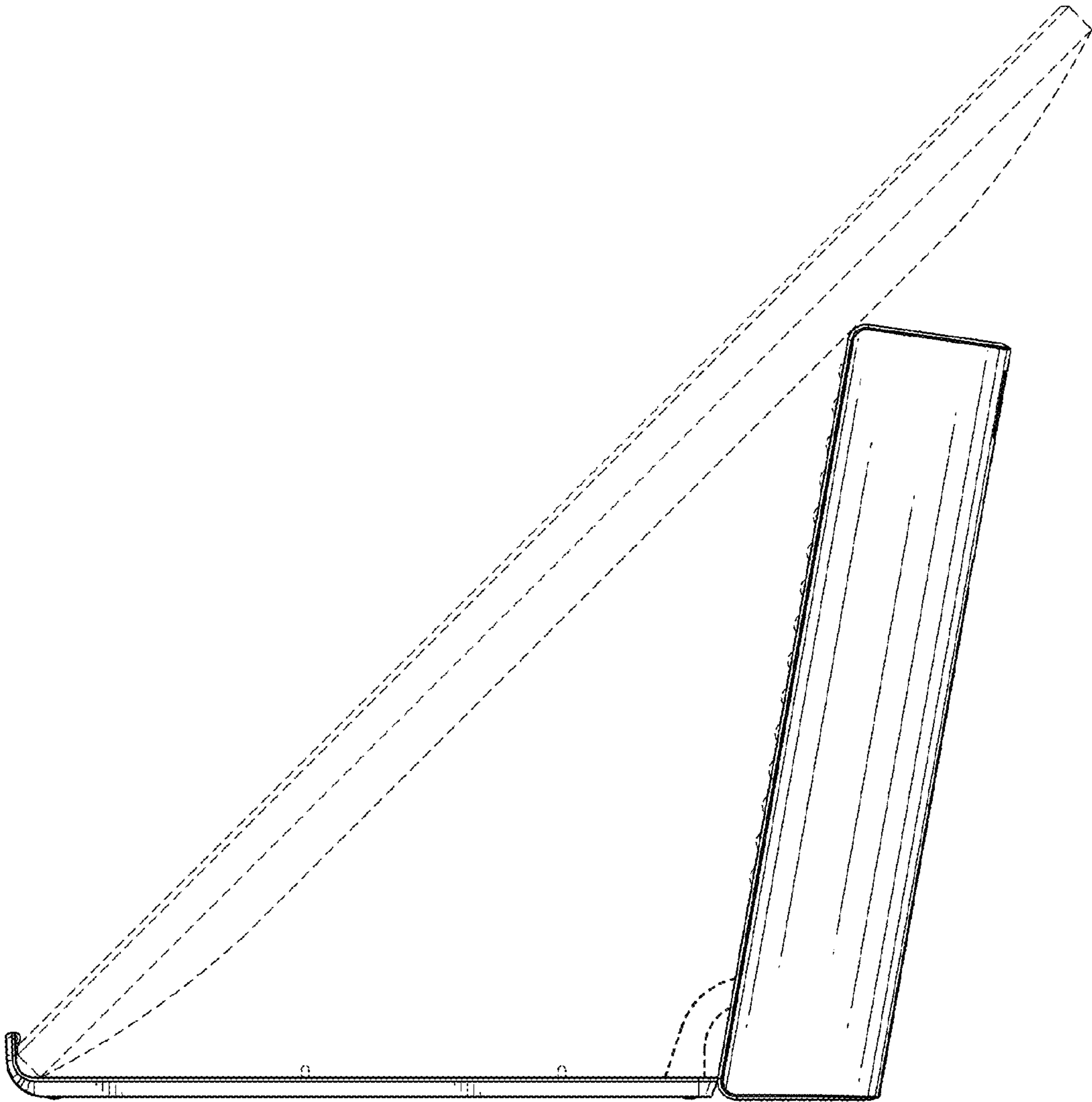


FIG. 8