



US00D680066S

(12) **United States Design Patent**  
**Kinoshita et al.**

(10) **Patent No.:** **US D680,066 S**  
(45) **Date of Patent:** **\*\* Apr. 16, 2013**

(54) **BATTERY CHARGER**

(75) Inventors: **Yoshiki Kinoshita**, Suwa (JP); **Ayumu Nakamura**, Matsumoto (JP); **Seiji Kimura**, Shiojiri (JP); **Akira Koyabu**, Shiojiri (JP); **Toshihiro Ota**, Suwa (JP); **Hiroshi Narita**, Higashi Chikuma (JP)

(73) Assignee: **Seiko Epson Corporation** (JP)

(\*\*) Term: **14 Years**

(21) Appl. No.: **29/430,288**

(22) Filed: **Aug. 23, 2012**

(30) **Foreign Application Priority Data**

Jun. 26, 2012 (JP) ..... 2012-015047

(51) **LOC (9) Cl.** ..... **13-02**

(52) **U.S. Cl.**  
USPC ..... **D13/107**

(58) **Field of Classification Search** ..... D13/107-110,  
D13/118-119, 184, 199; D14/251, 253,  
D14/432, 434; 320/107-115  
See application file for complete search history.

(56) **References Cited**

U.S. PATENT DOCUMENTS

D241,555 S *	9/1976	Goldman et al. ....	D13/107
D278,426 S *	4/1985	Lanci et al. ....	D13/107
D278,704 S *	5/1985	Claxton et al. ....	D13/107
D326,200 S *	5/1992	Allen et al. ....	D6/479
D350,329 S *	9/1994	Lindeman et al. ....	D13/107
D389,799 S *	1/1998	Somers ..... ..	D13/107
D397,084 S *	8/1998	Siddoway ..... ..	D13/107
D461,814 S *	8/2002	Felix et al. ....	D14/434

D476,659 S *	7/2003	Ying et al. ....	D14/434
D509,788 S *	9/2005	Schlieffers et al. ....	D13/108
D510,562 S *	10/2005	Lodato et al. ....	D13/108
D519,921 S *	5/2006	Claxton et al. ....	D13/108
D520,447 S *	5/2006	Liu ..... ..	D13/108
D526,995 S *	8/2006	Claxton et al. ....	D14/253
D530,667 S *	10/2006	Viduya et al. ....	D13/107
D647,907 S *	11/2011	Perry et al. ....	D14/434
2010/0060232 A1 *	3/2010	Boyles et al. ....	320/107
2011/0127959 A1 *	6/2011	McGary et al. ....	320/114

\* cited by examiner

*Primary Examiner* — Rosemary K Tarcza

(74) *Attorney, Agent, or Firm* — Harness, Dickey & Pierce, P.L.C.

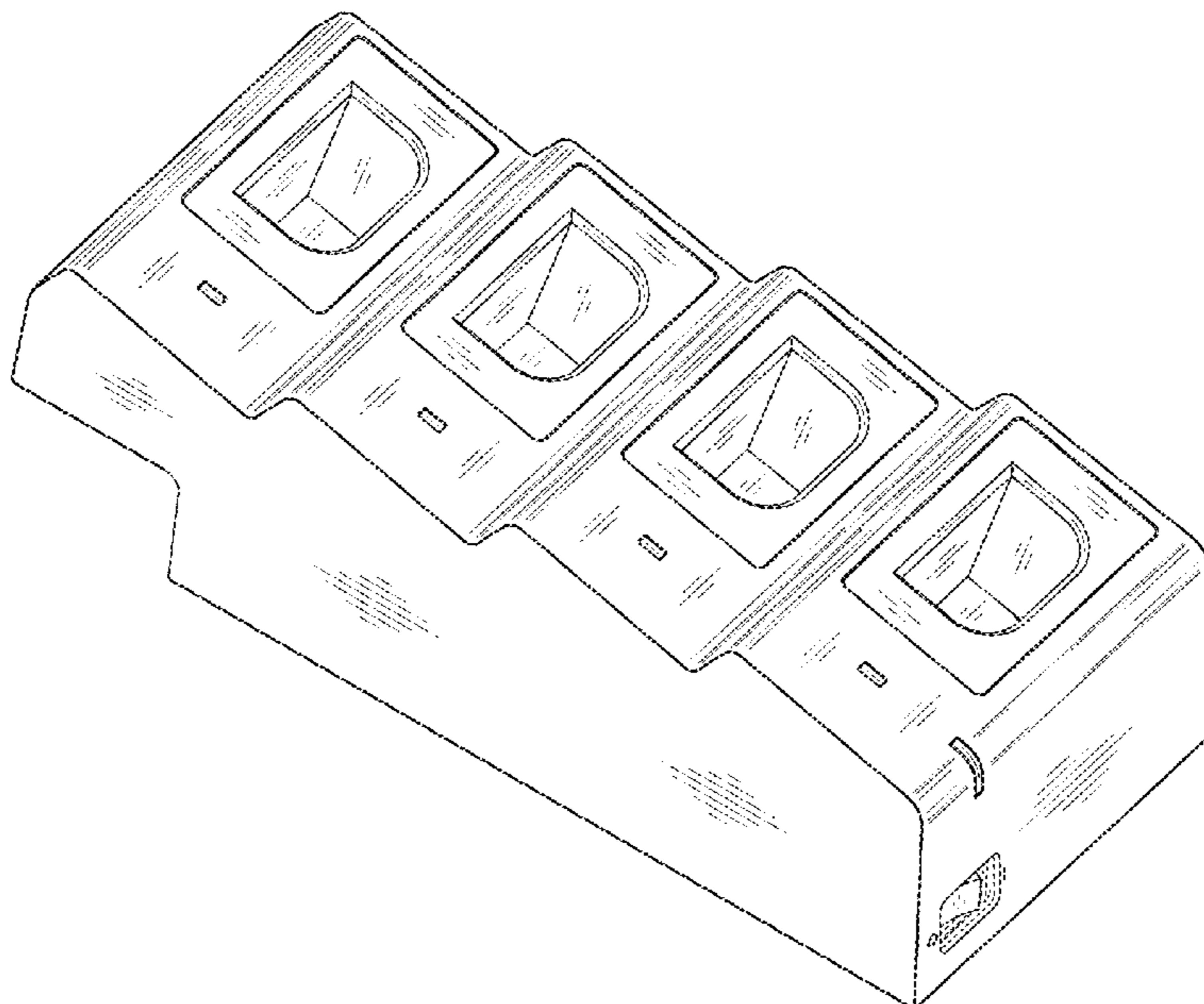
(57) **CLAIM**

The ornamental design for a battery charger, as shown and described.

**DESCRIPTION**

FIG. 1 is a perspective view of a battery charger, as viewed from the top, front and right side, embodying our new design; FIG. 2 is a perspective view thereof, as viewed from the bottom, rear and left side; FIG. 3 is a front view thereof; FIG. 4 is a rear view thereof; FIG. 5 is a left side view thereof; FIG. 6 is a right side view thereof; FIG. 7 is a top view thereof; FIG. 8 is a bottom view thereof; and, FIG. 9 is a perspective view of the battery charger of FIG. 1 having batteries positioned therein. The broken lines are for illustrative purposes only and form no part of the claimed invention.

**1 Claim, 4 Drawing Sheets**



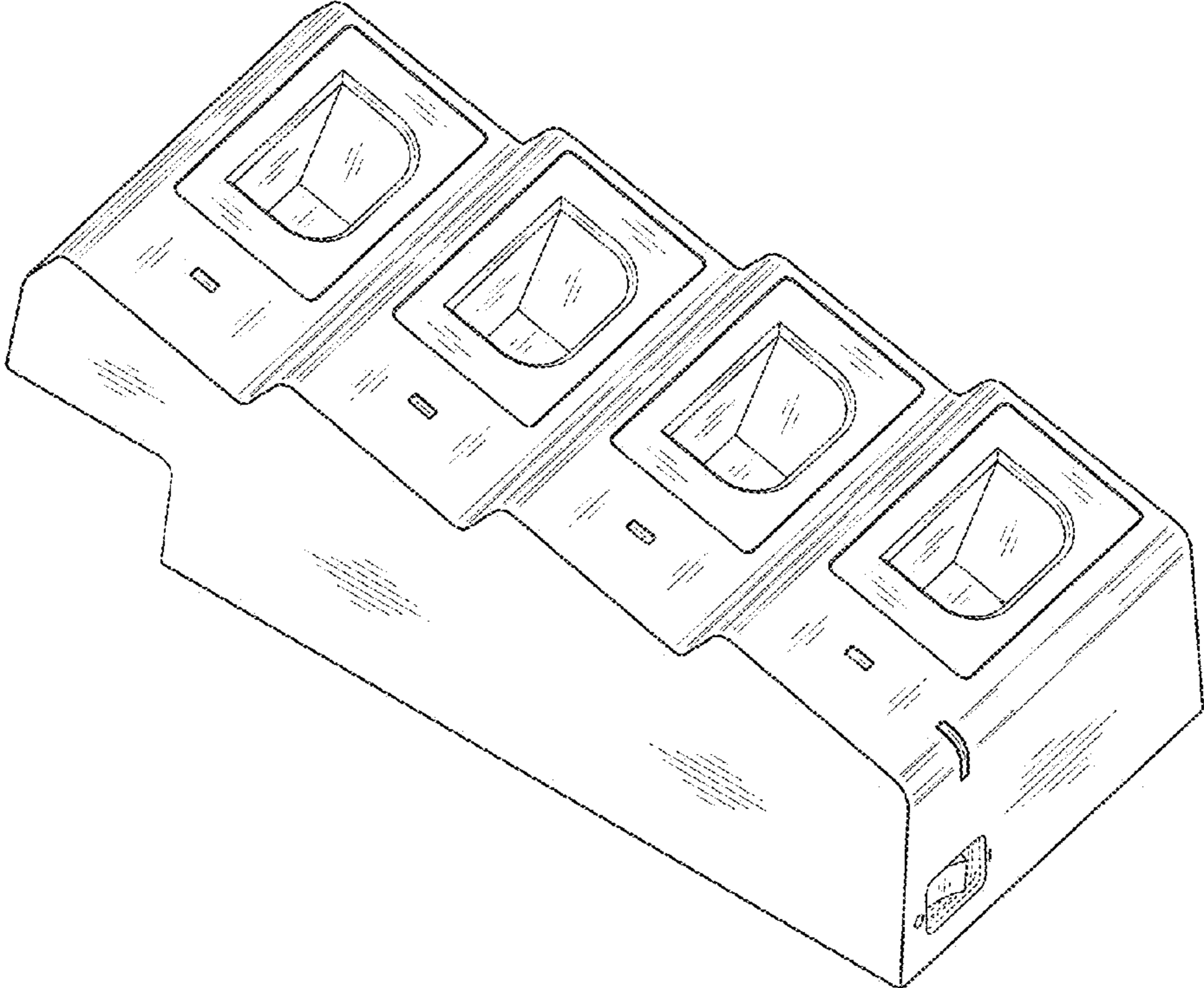


FIG. 1

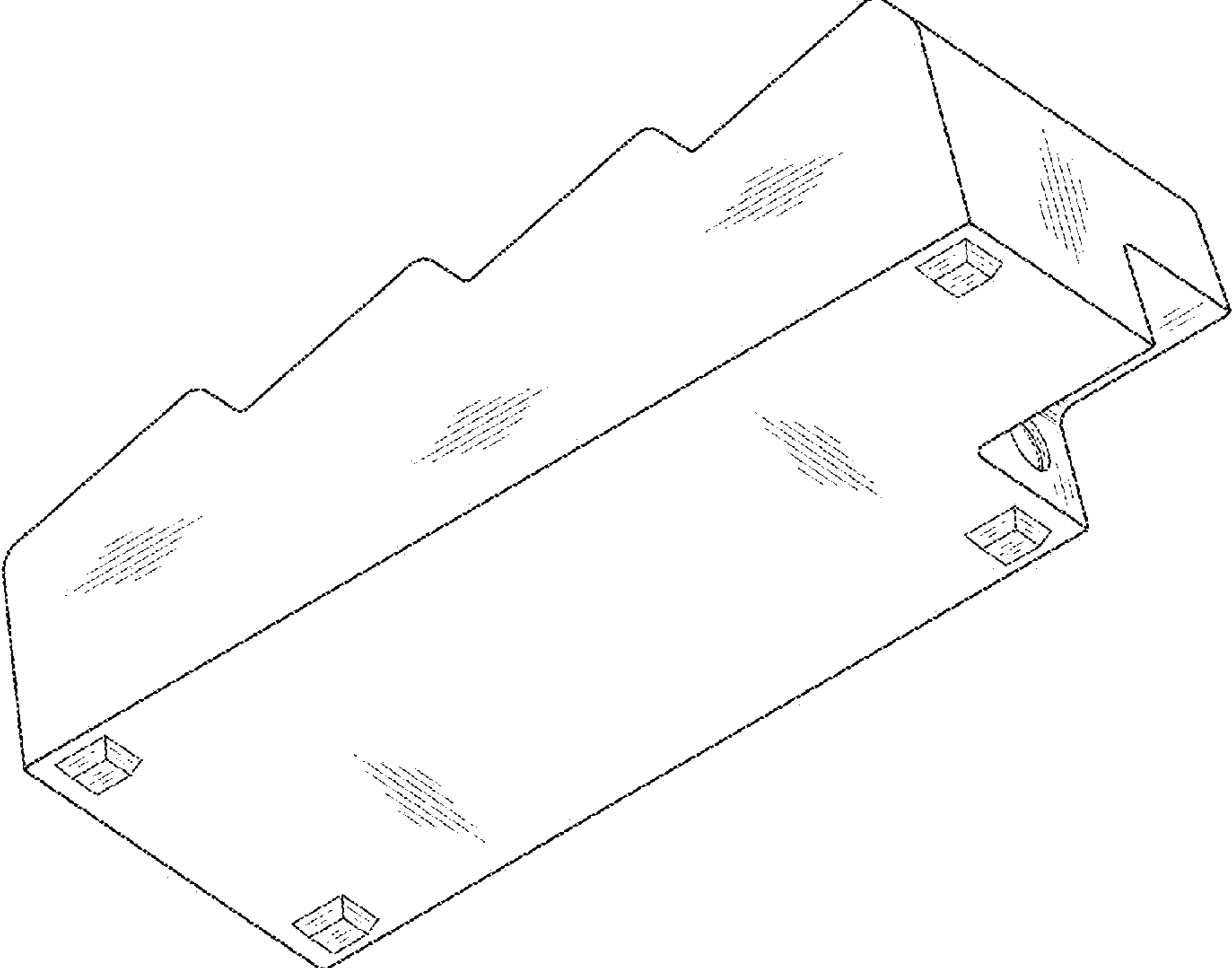


FIG. 2

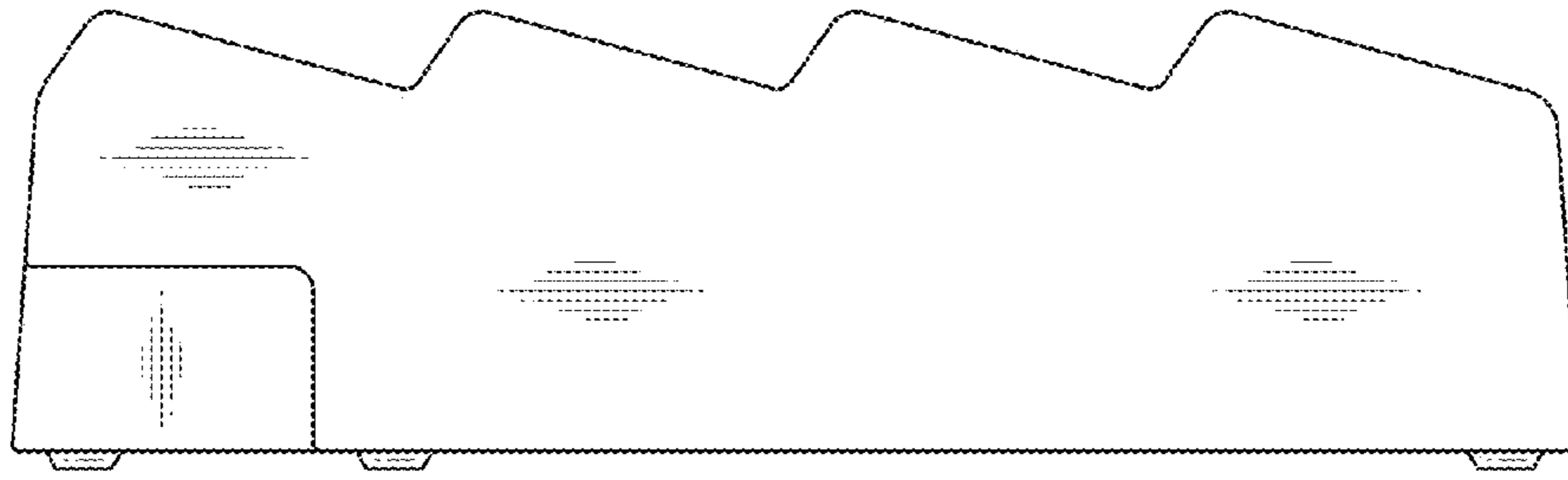


FIG. 3



FIG. 4

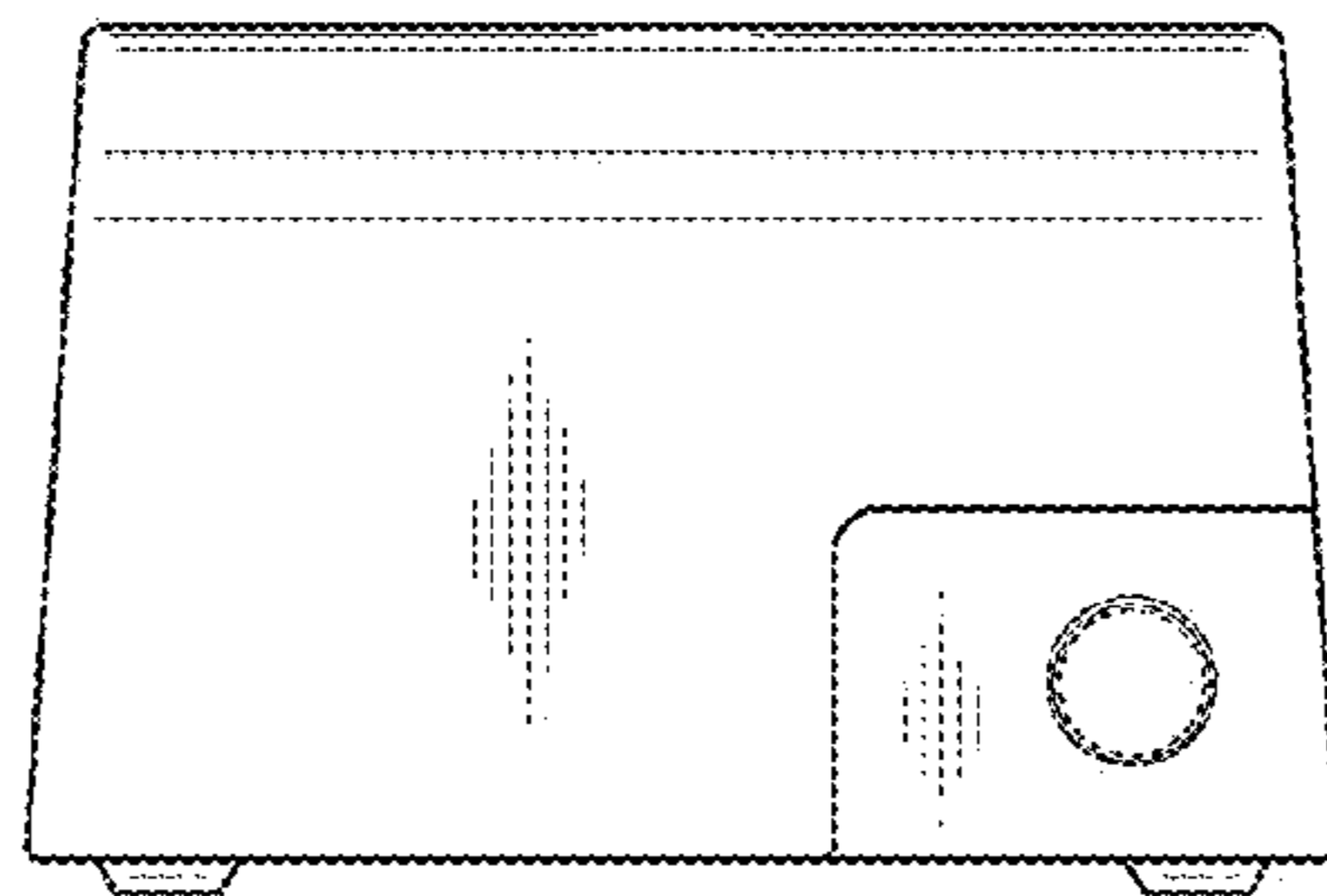


FIG. 5

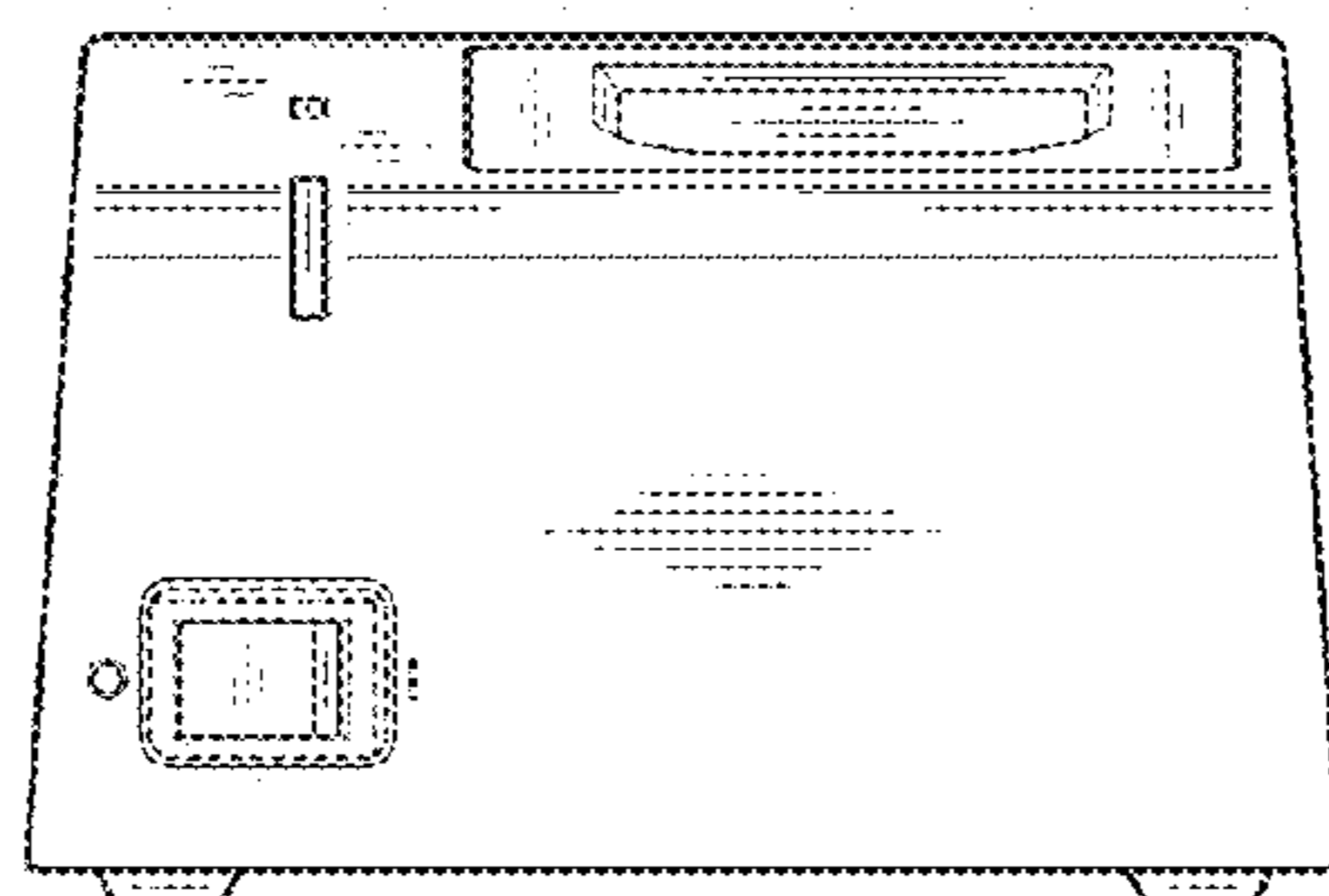


FIG. 6

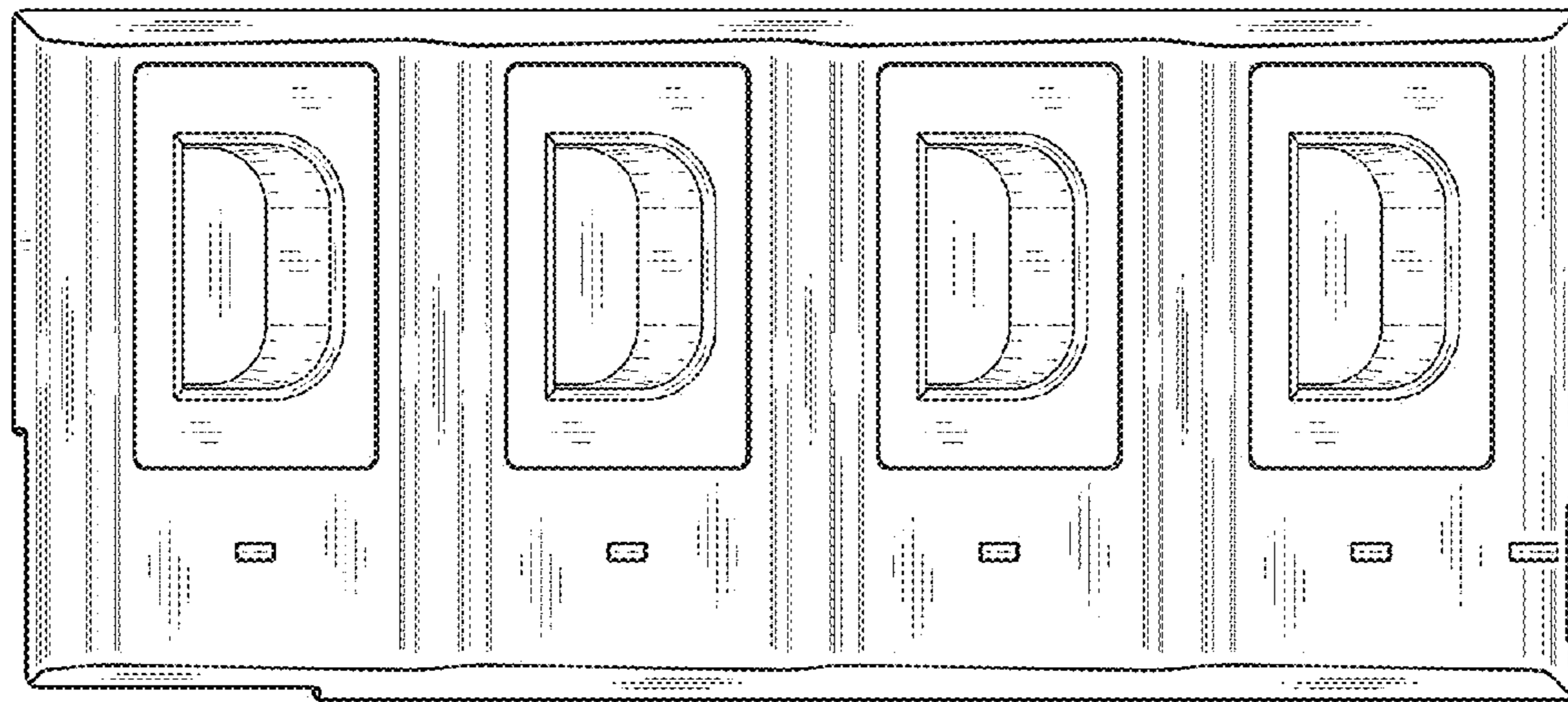


FIG. 7

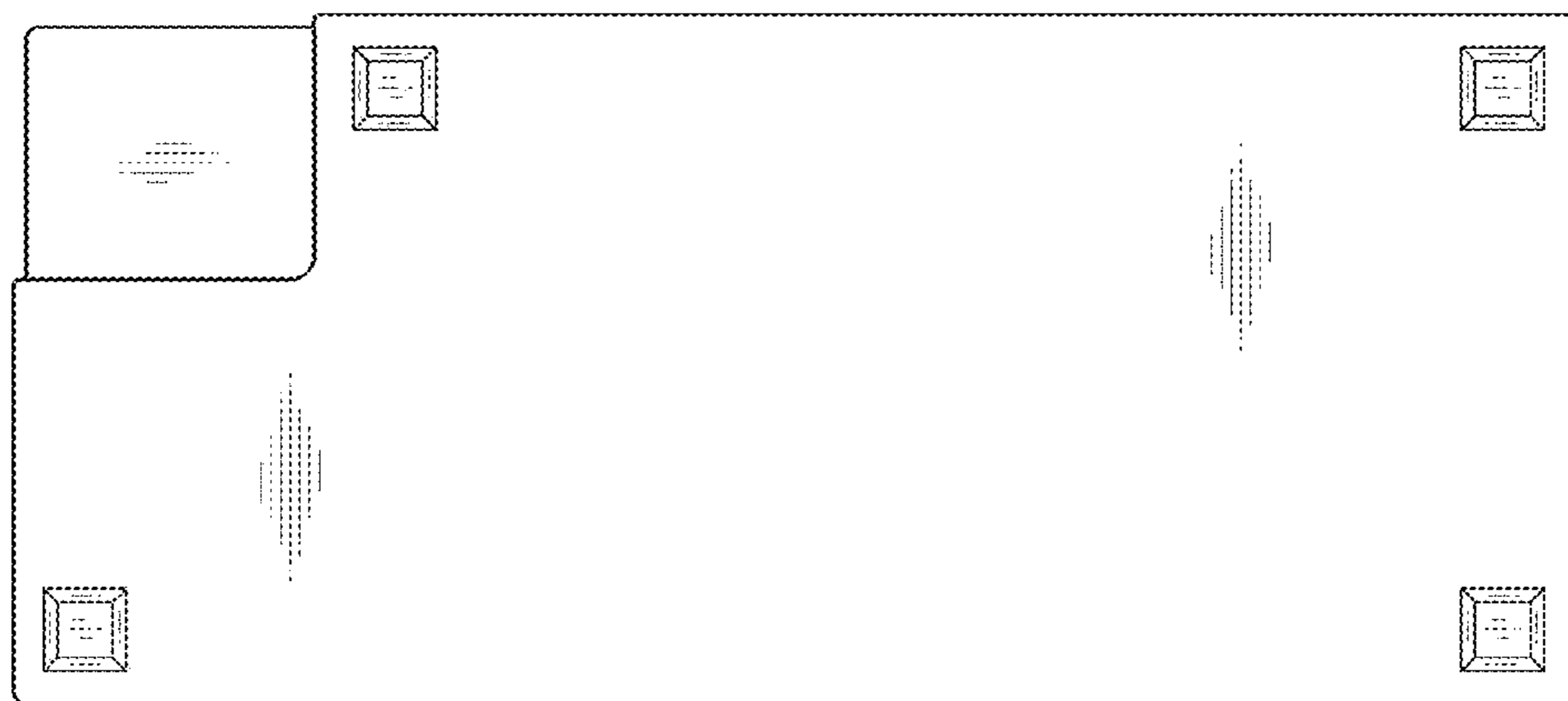


FIG. 8

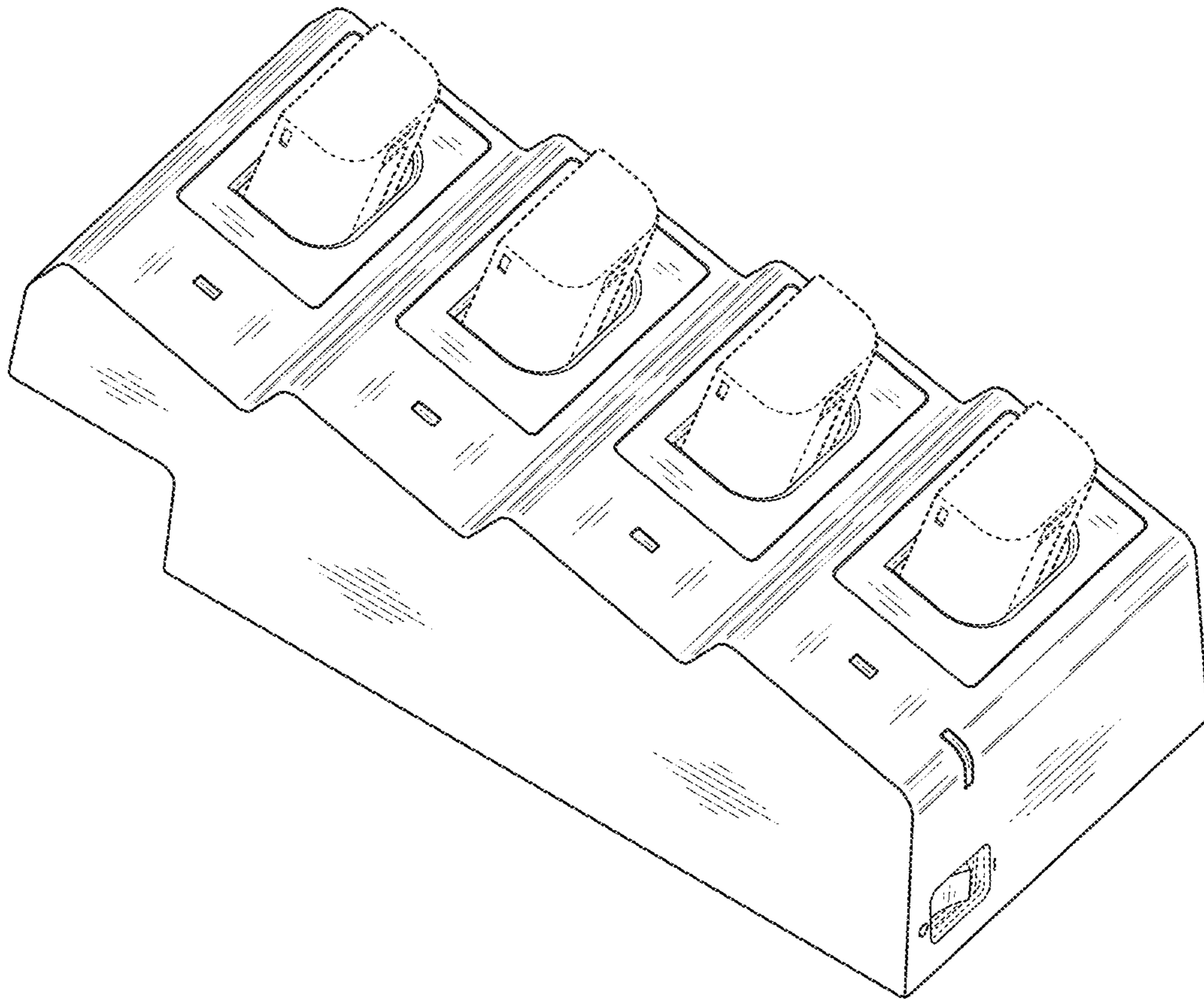


FIG. 9